



US00D388155S

United States Patent [19]
Gottwald et al.

[11] **Patent Number:** **Des. 388,155**
[45] **Date of Patent:** ****Dec. 23, 1997**

[54] **BATHTUB FAUCET**

[75] **Inventors:** **Adolf Gottwald, Iserlohn; Hans Lobermeier, Menden, both of Germany**

[73] **Assignee:** **Friedrich Grohe Aktiengesellschaft, Hemer, Germany**

[**] **Term:** **14 Years**

[21] **Appl. No.:** **37,070**

[22] **Filed:** **Apr. 3, 1995**

[30] **Foreign Application Priority Data**

Oct. 31, 1994 [DE] Germany M9408504.8

[51] **LOC (6) Cl.** **23-01**

[52] **U.S. Cl.** **D23/238**

[58] **Field of Search** **D23/238-243, D23/250-257; 4/675-678; 137/801**

[56] **References Cited**

U.S. PATENT DOCUMENTS

D. 149,344 4/1948 Ritter D23/240

D. 293,599 1/1988 Bergmann et al. D23/238
D. 312,118 11/1990 Sou D23/238
D. 365,624 12/1995 Gottwald D23/238

Primary Examiner—Louis S. Zarfes
Assistant Examiner—Eric Watterson
Attorney, Agent, or Firm—Herbert Dubno

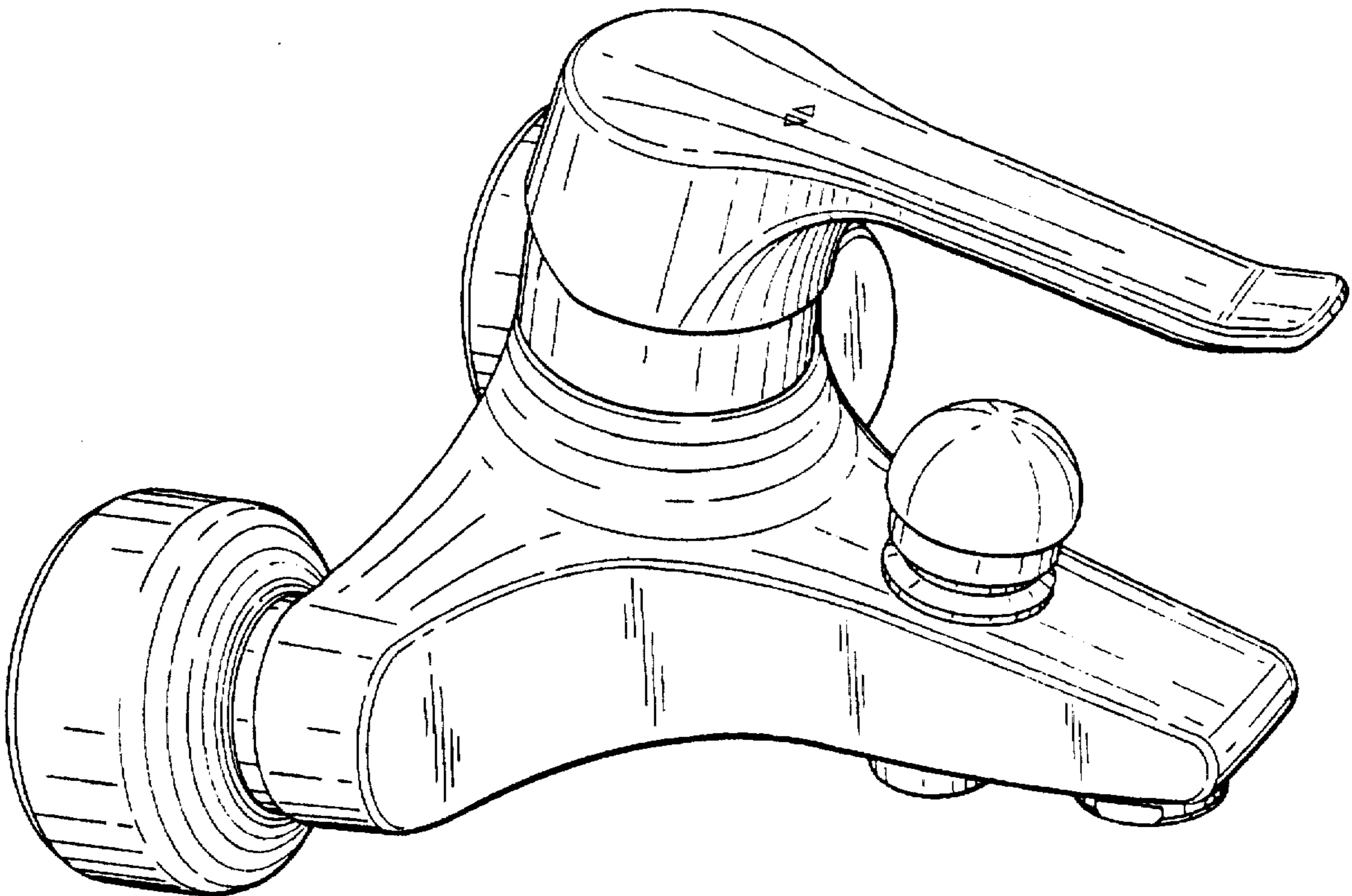
[57] **CLAIM**

The ornamental design for a bathtub faucet, as shown and described.

DESCRIPTION

FIG. 1 is a top, front, left-side perspective view of a bathtub faucet showing my new design;
FIG. 2 is a left side elevational view thereof, the right side view being mirror image thereof;
FIG. 3 is a front view thereof;
FIG. 4 is a bottom view thereof;
FIG. 5 is a top view thereof; and,
FIG. 6 is a rear view thereof.

1 Claim, 6 Drawing Sheets



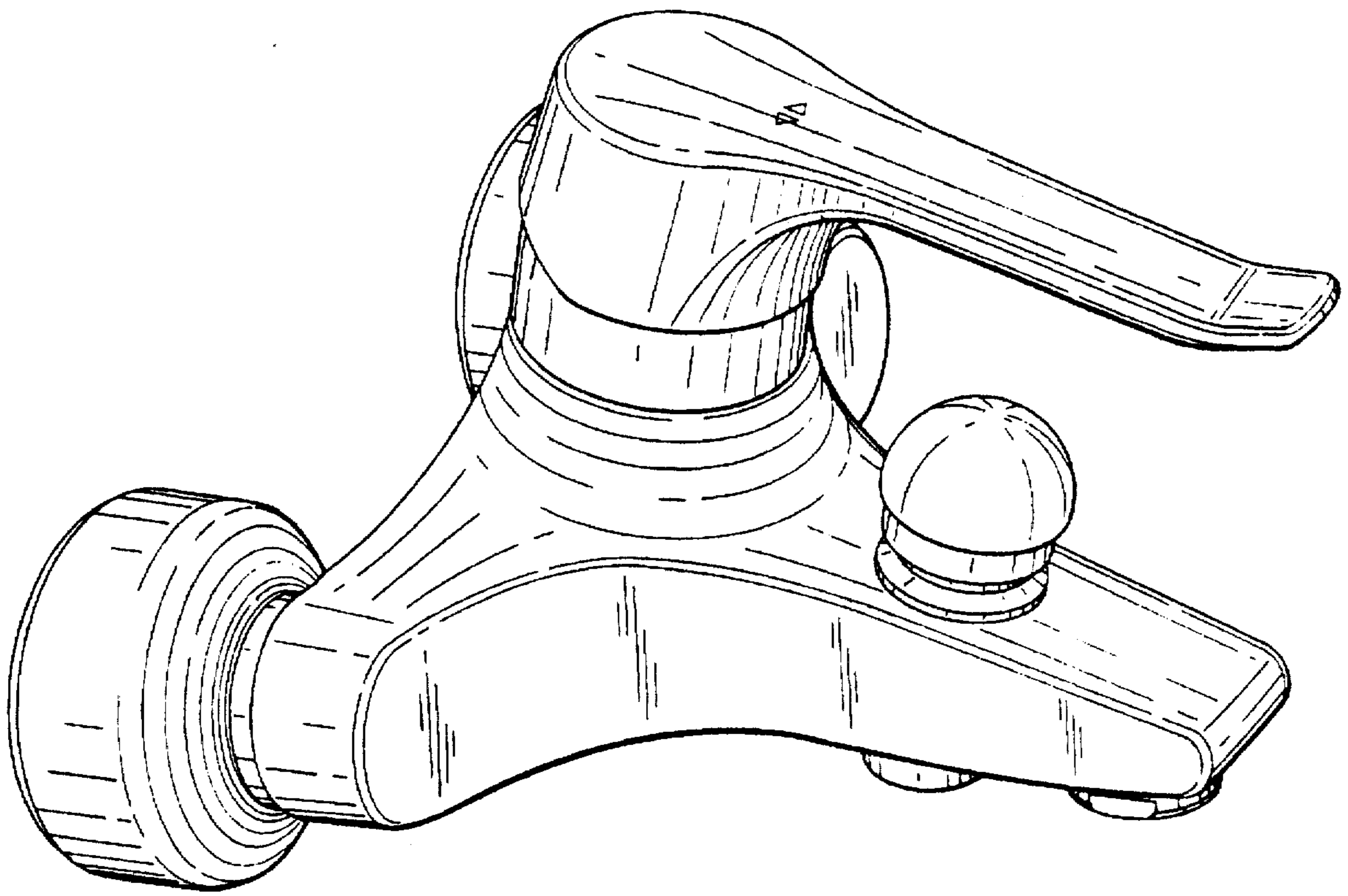


FIG. 1

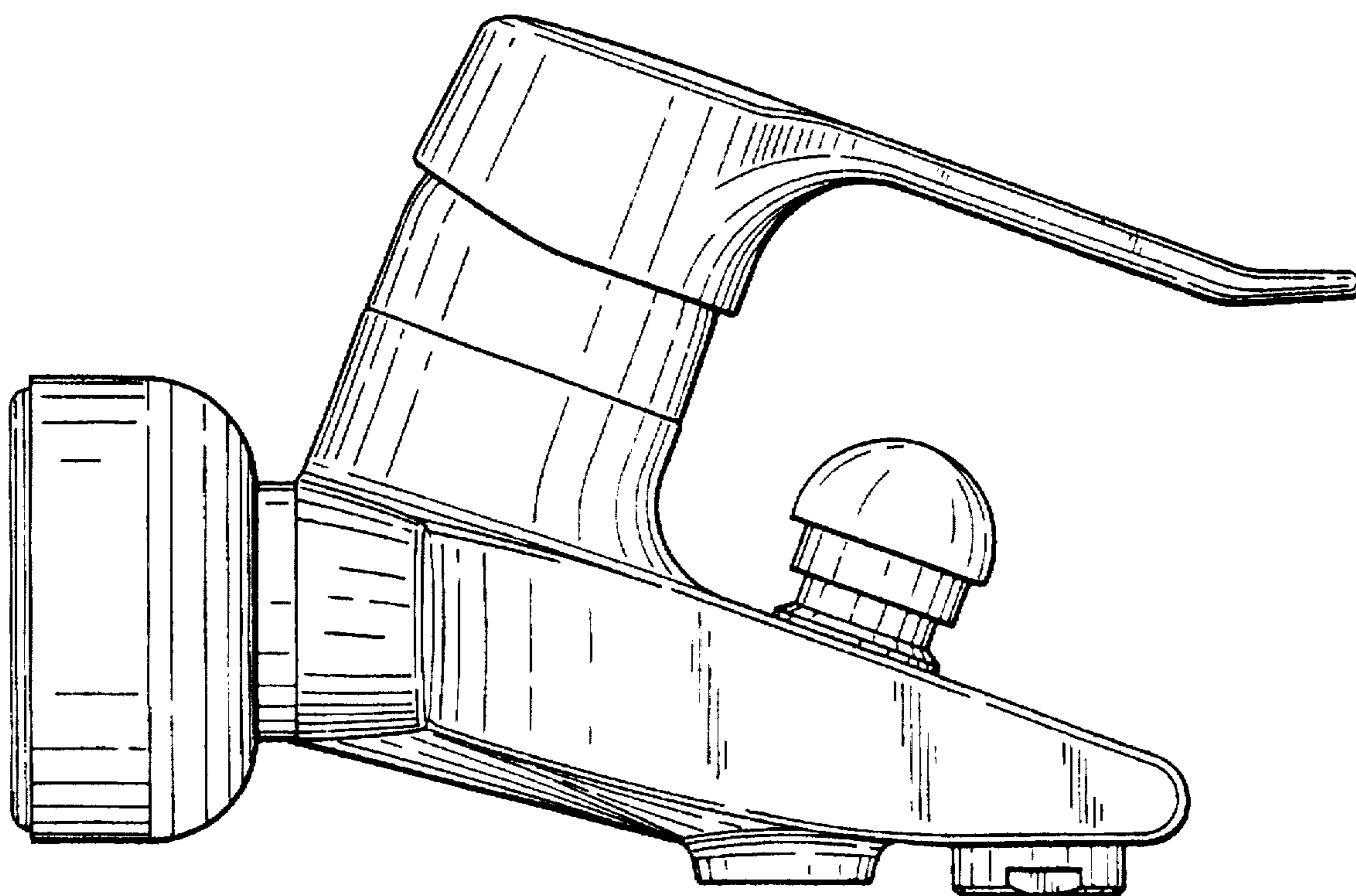


FIG. 2

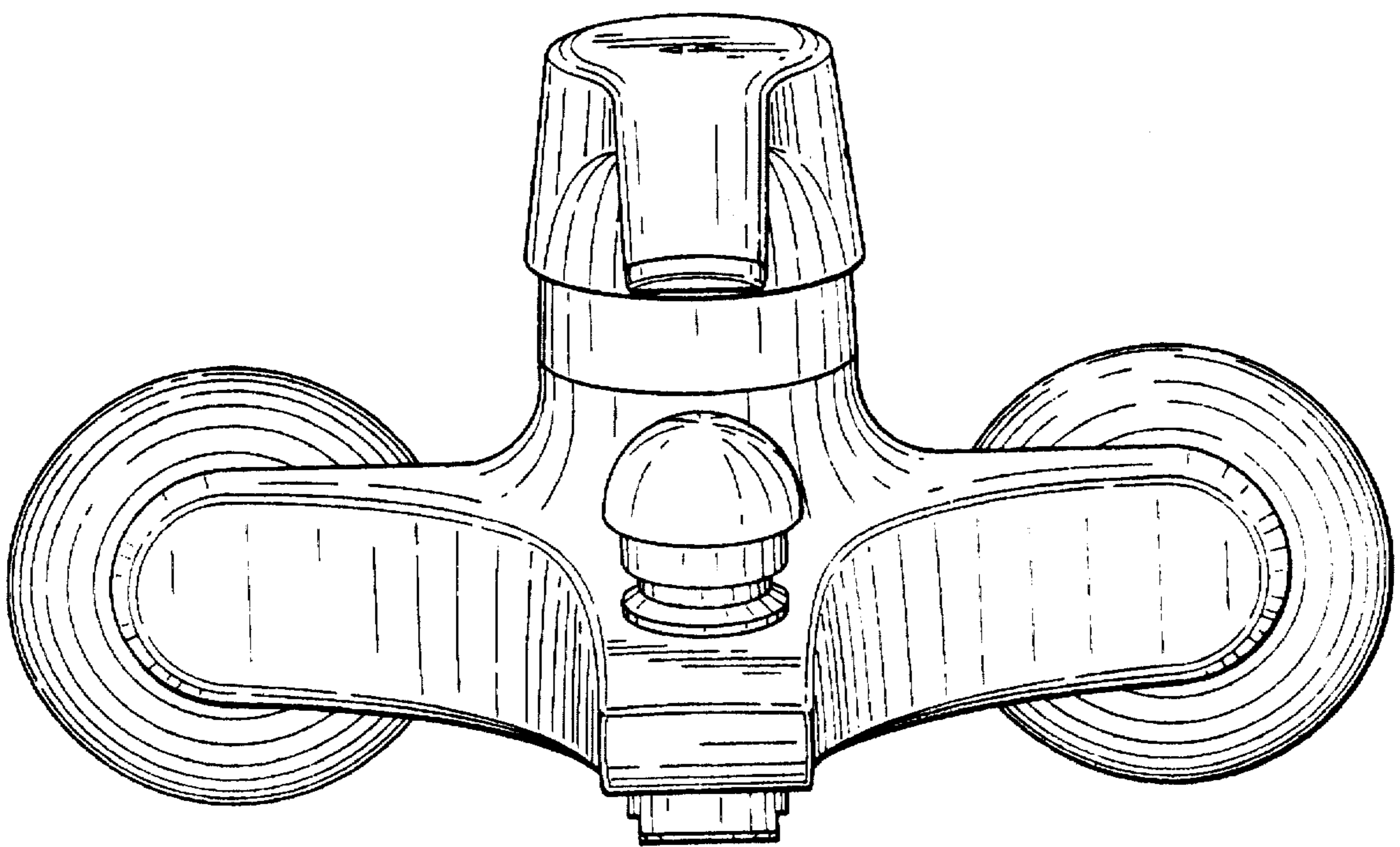


FIG. 3

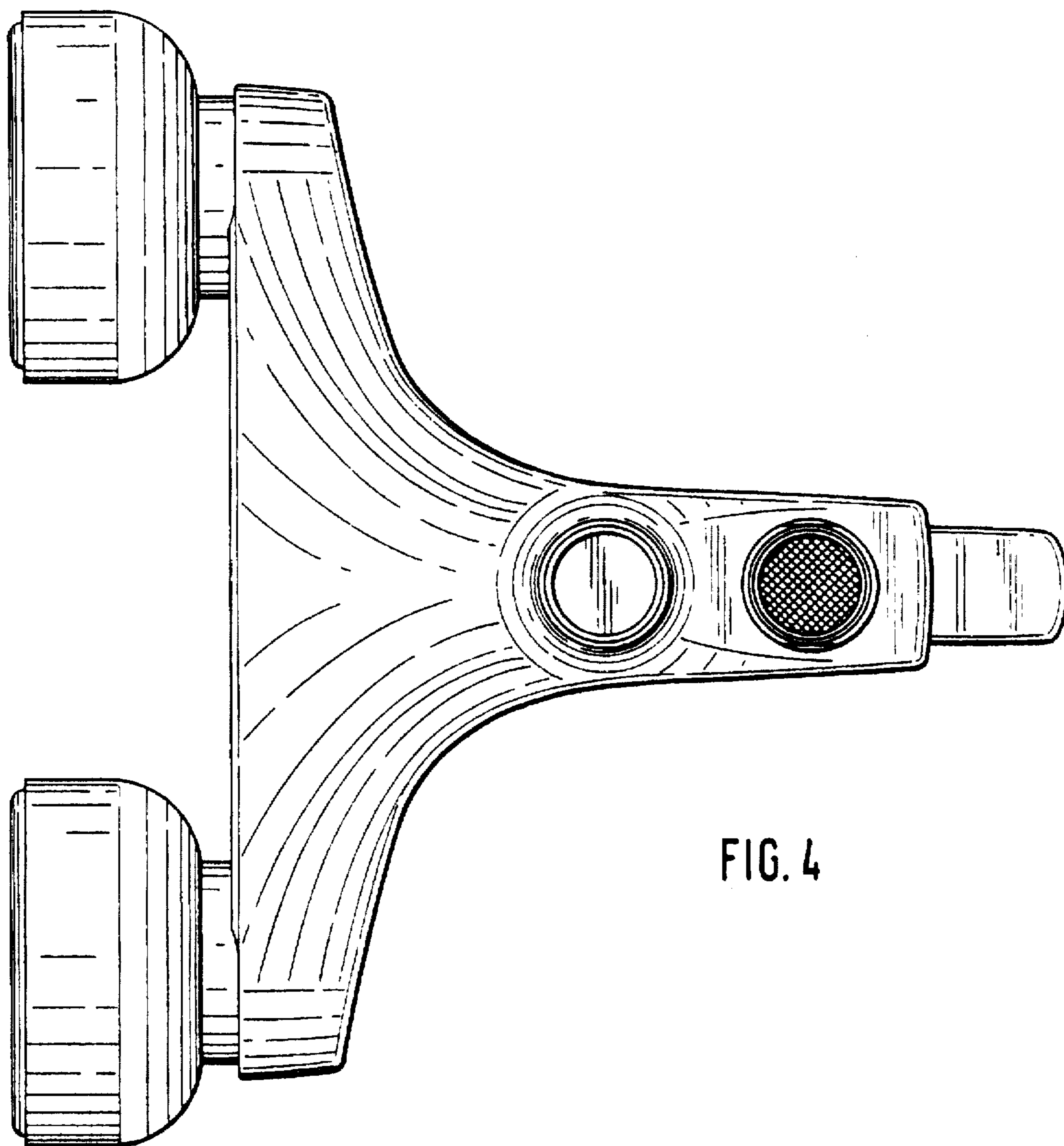


FIG. 4

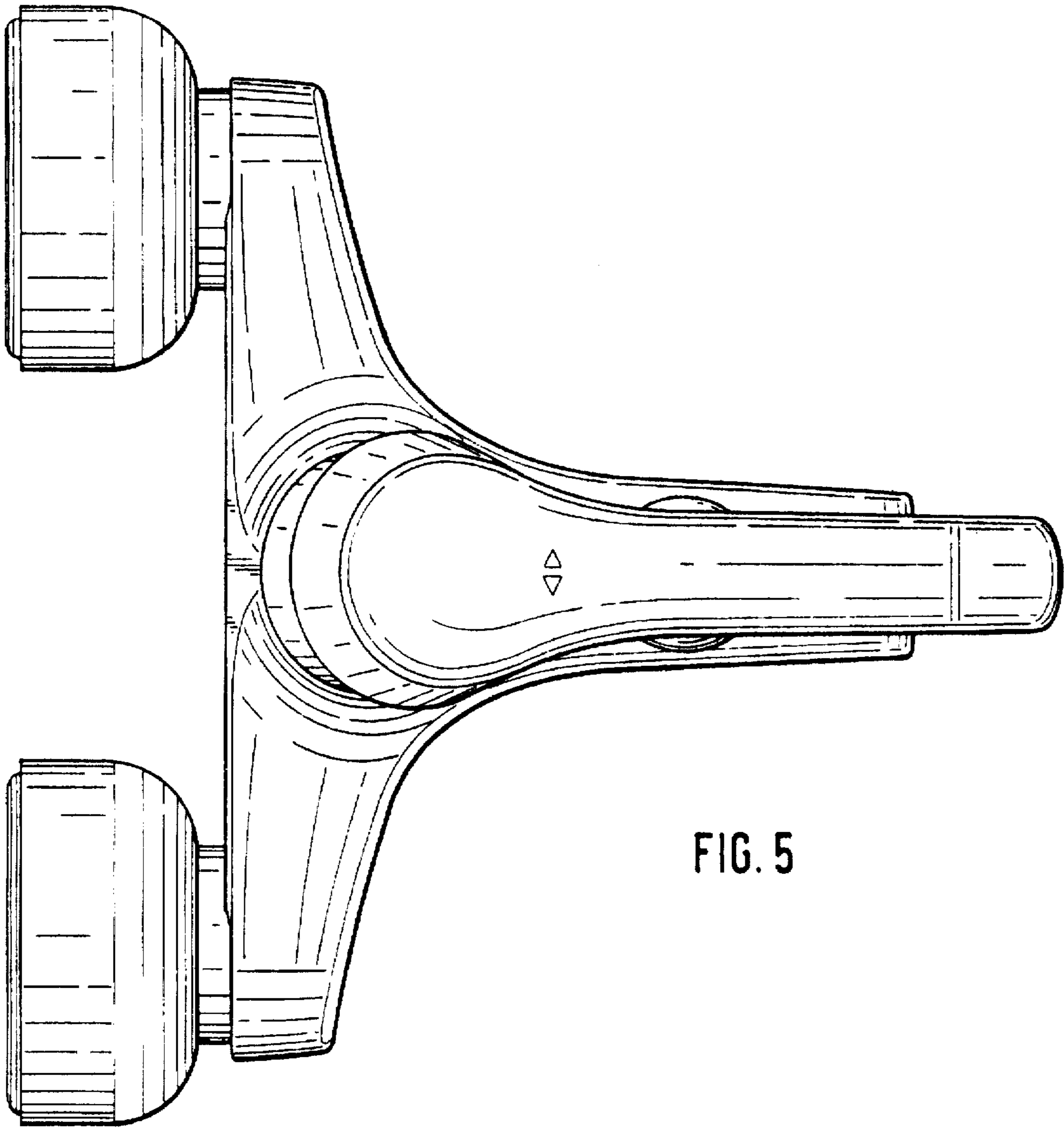


FIG. 5

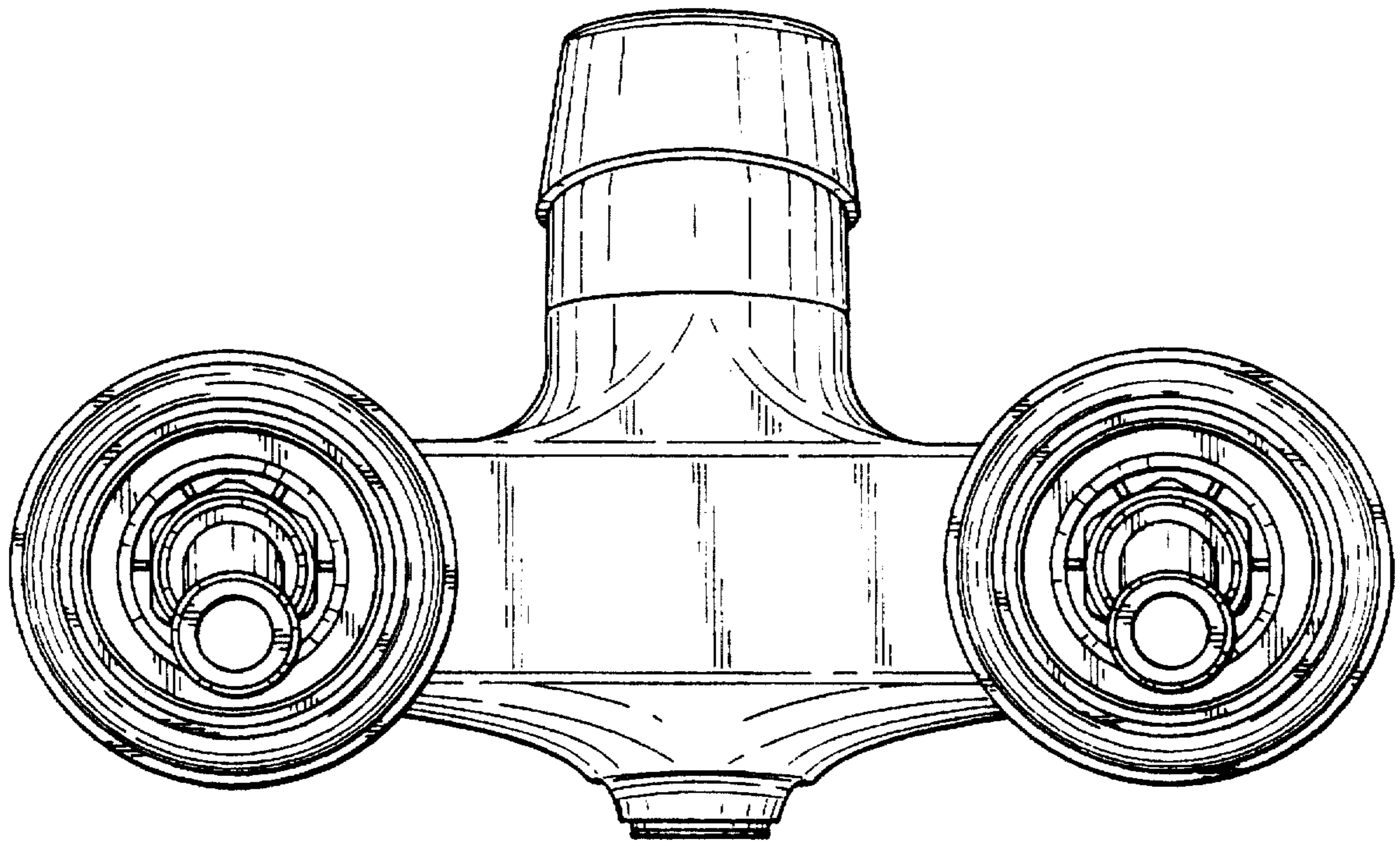


FIG. 6