



US00D388153S

United States Patent [19]
Snyder

[11] **Patent Number: Des. 388,153**

[45] **Date of Patent: **Dec. 23, 1997**

[54] **FISHING ROD HOLDER AND BALANCER**

[76] **Inventor: William P. Snyder, P.O. Box 646,
Hermiston, Oreg. 97838**

[**] **Term: 14 Years**

[21] **Appl. No.: 63,983**

[22] **Filed: Dec. 20, 1996**

[51] **LOC (6) Cl. 22-05**

[52] **U.S. Cl. D22/147**

[58] **Field of Search D22/147, 148;
43/16, 17, 212; 248/520, 535, 534, 514,
515, 519, 538**

[56] **References Cited**

U.S. PATENT DOCUMENTS

D. 377,387 1/1997 Mathewson D22/147
3,783,547 1/1974 Bystrom et al. 43/21.2

*Primary Examiner—Doris V. Coles
Attorney, Agent, or Firm—Chernoff, Vilhauer, McClung &
Stenzel*

[57] **CLAIM**

The ornamental design for a fishing rod holder and balancer, as shown and described.

DESCRIPTION

FIG. 1 is a perspective view of a fishing rod holder and balancer with a movable rod clamp portion of the holder located in an inclined position, showing my new and ornamental design;

FIG. 2 is a front elevational view thereof;

FIG. 3 is a left side elevational view thereof;

FIG. 4 is a right side elevational view thereof;

FIG. 5 is a top plan view thereof;

FIG. 6 is a bottom view thereof; and,

FIG. 7 is a rear elevational view thereof.

1 Claim, 3 Drawing Sheets

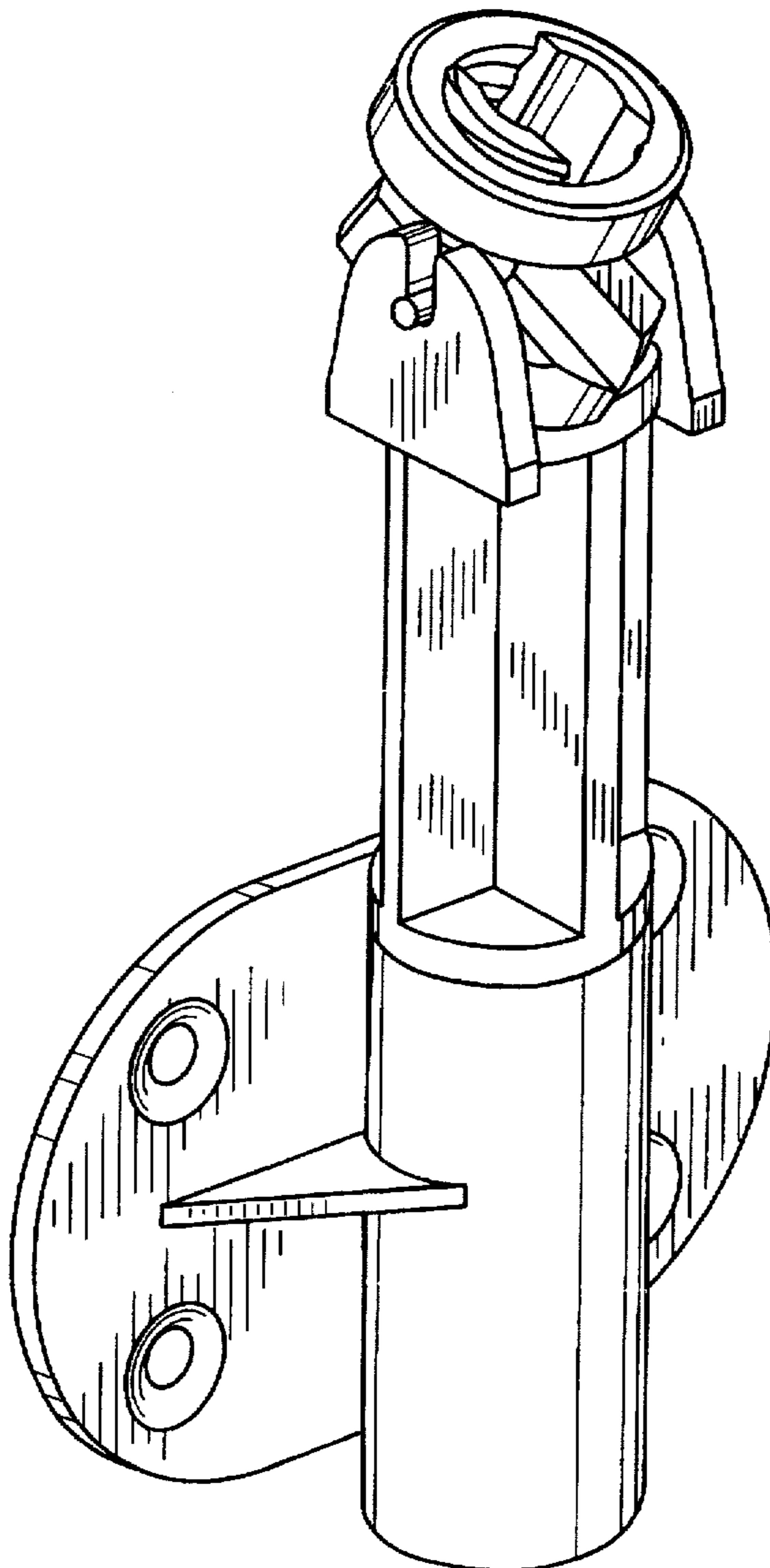


Fig. 1

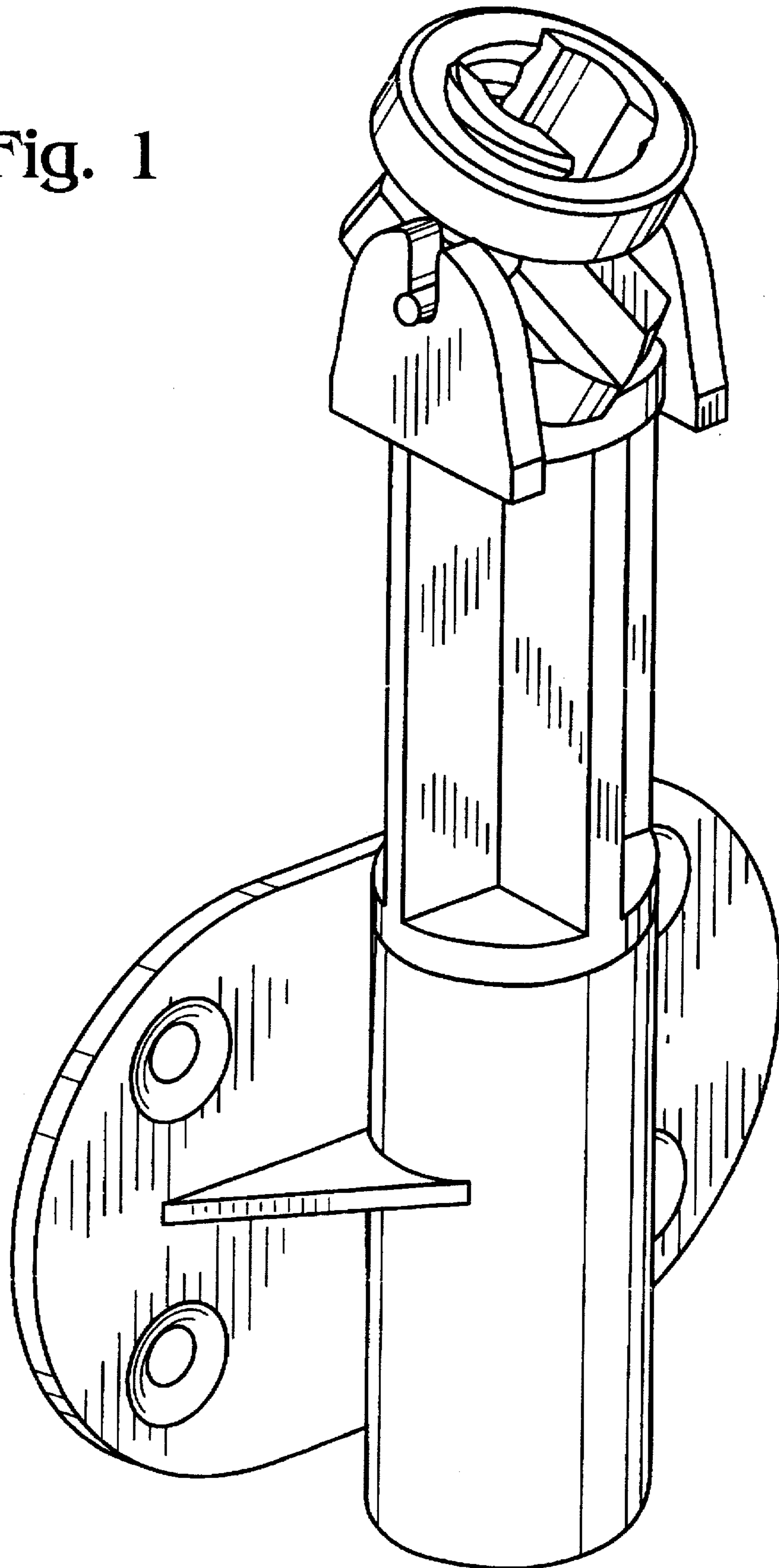


Fig. 3

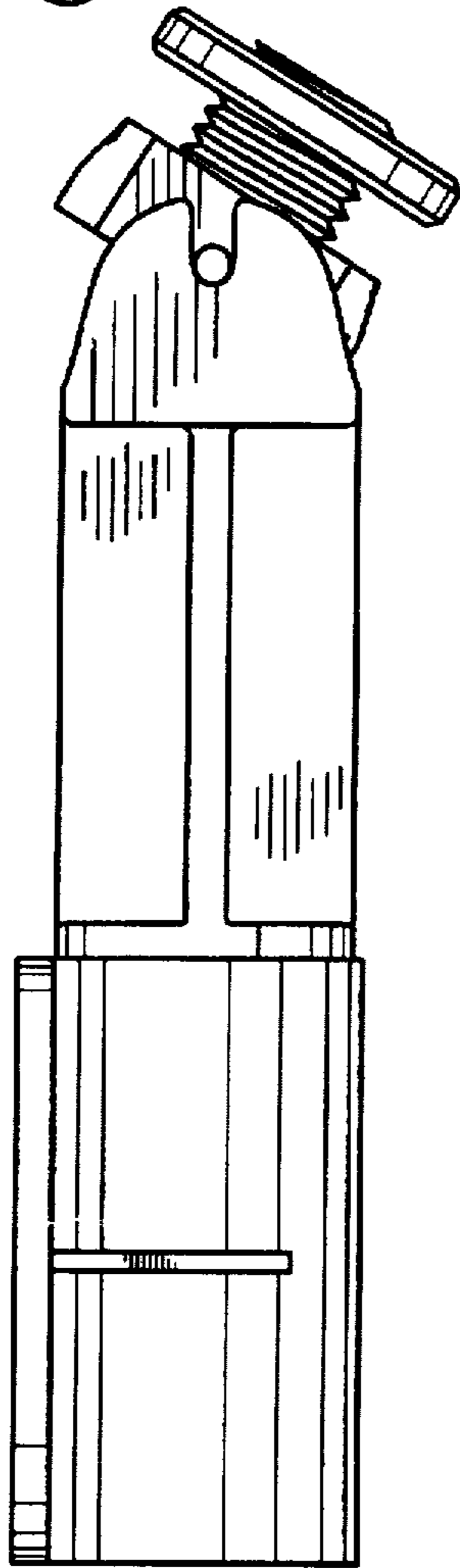


Fig. 4

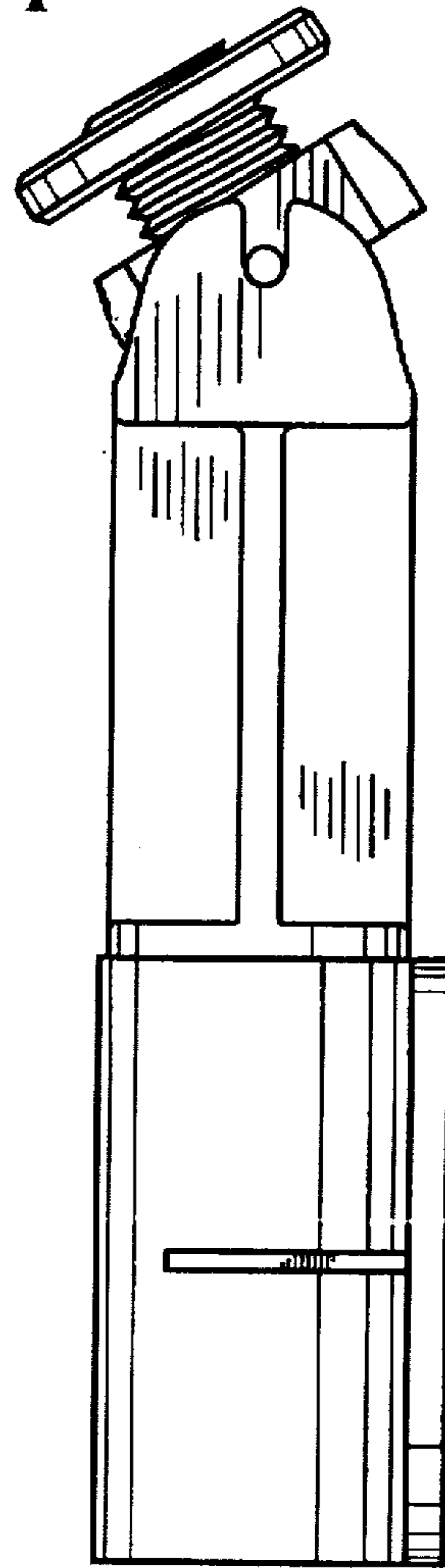


Fig. 5

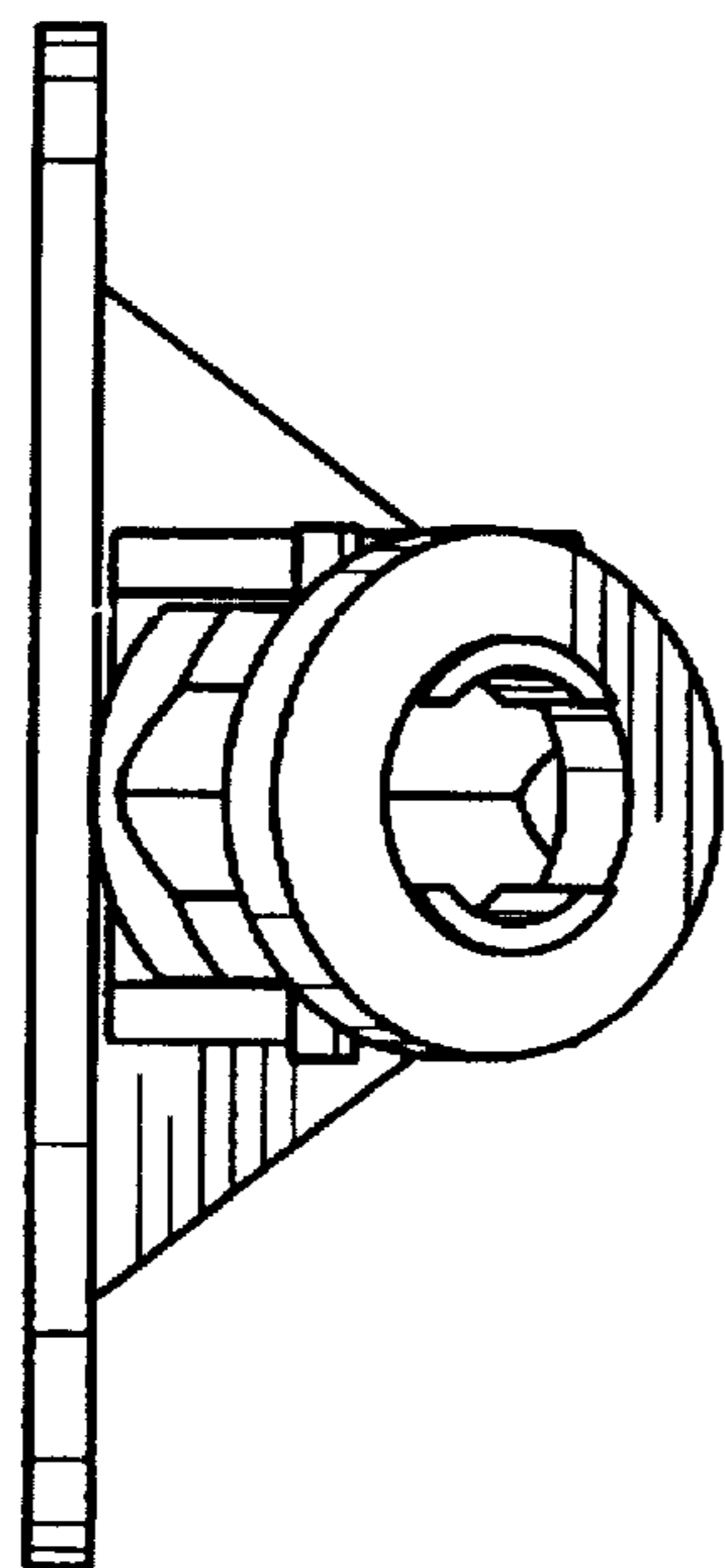


Fig. 6

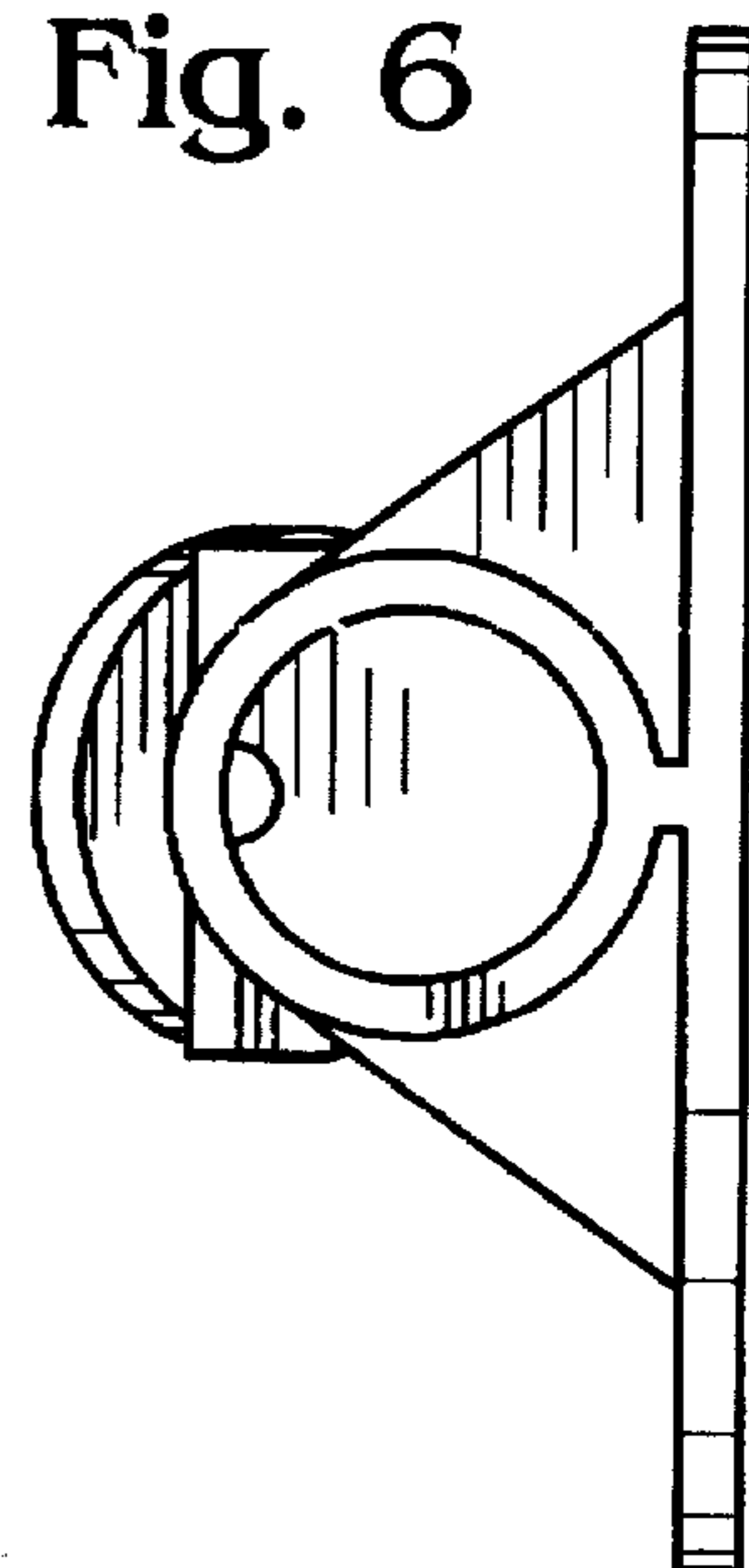


Fig. 7

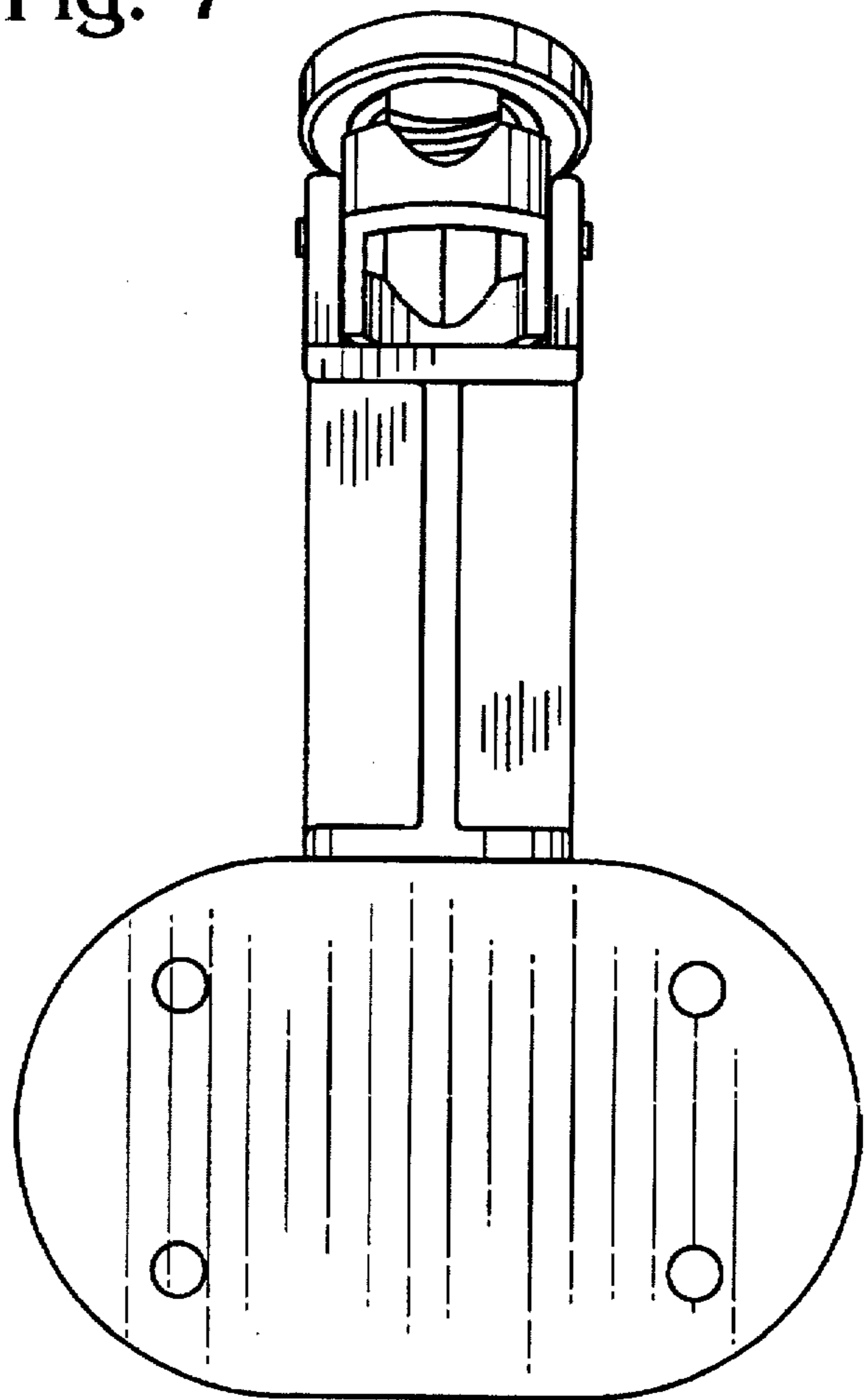


Fig. 2

