



US00D388152S

# United States Patent [19]

Ohmura

[11] Patent Number: Des. 388,152

[45] Date of Patent: \*\*Dec. 23, 1997

- [54] REEL SEAT FOR FISHING ROD
- [75] Inventor: **Ryuichi Ohmura**, Shizuoka, Japan
- [73] Assignee: **Fuji Kogyo Co., Ltd.**, Shizuoka-ken, Japan
- [\*\*] Term: **14 Years**
- [21] Appl. No.: **61,740**
- [22] Filed: **Oct. 30, 1996**
- [51] LOC (6) Cl. .... **22-05**
- [52] U.S. Cl. .... **D22/142**
- [58] Field of Search ..... D22/142; 43/18.1, 43/22, 23

D. 302,845	8/1989	Rumbaugh et al. ....	D22/142
D. 319,283	8/1991	Shiozaki .....	D22/142
D. 321,744	11/1991	Naeki et al. ....	D22/142
D. 329,272	9/1992	Takizawa .....	D22/142
D. 329,273	9/1992	Oyama et al. ....	D22/142
D. 335,525	5/1993	Chapman .....	D22/142
D. 373,812	9/1996	Takizawa et al. ....	D22/142
5,535,539	7/1996	Vetre .....	D22/142

*Primary Examiner*—Doris V. Coles  
*Attorney, Agent, or Firm*—Evenson, McKeown, Edwards & Lenahan, P.L.L.C.

### [57] CLAIM

The ornamental design for reel seat for fishing rod, as shown and described.

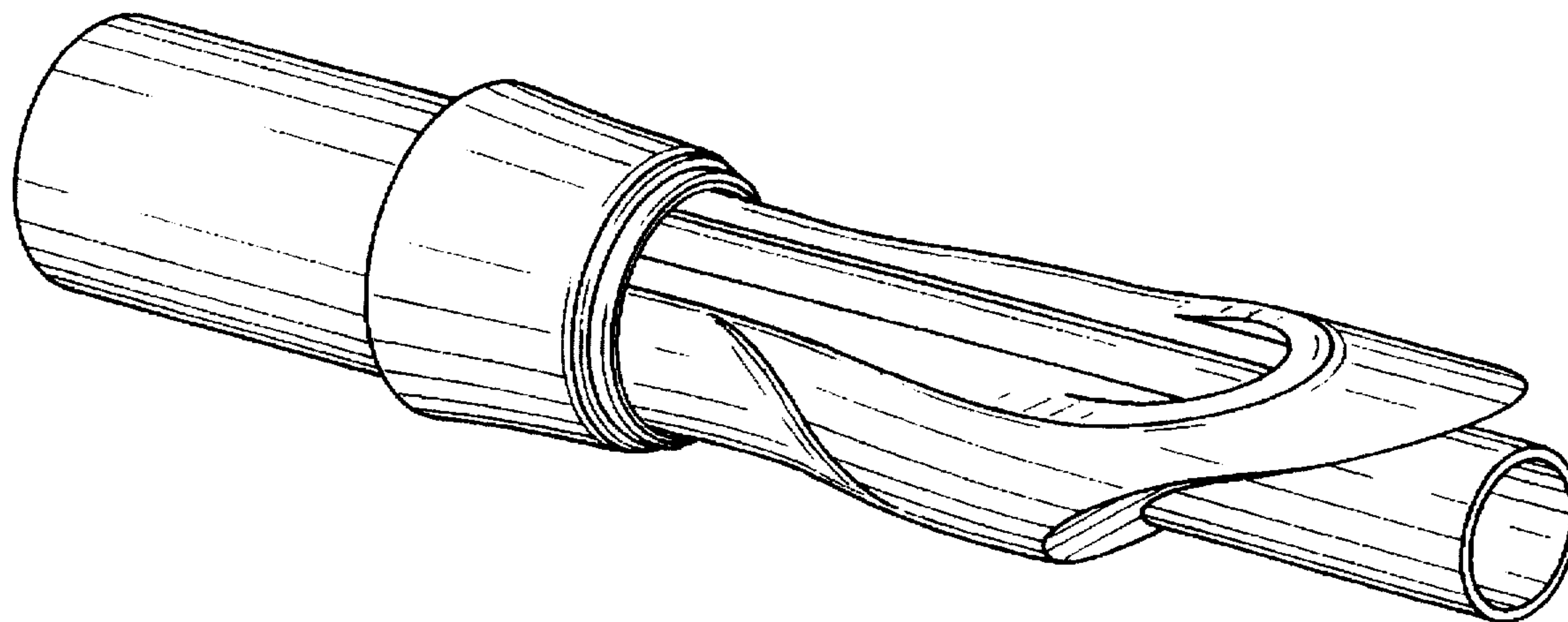
### DESCRIPTION

FIG. 1 is a perspective view of reel seat for fishing rod embodying my new design;  
 FIG. 2 is a top plan view thereof;  
 FIG. 3 is a front elevational view the rear being a mirror image thereof;  
 FIG. 4 is a bottom plan view thereof;  
 FIG. 5 is a left side elevational view thereof; and,  
 FIG. 6 is a right side elevational view thereof.

1 Claim, 1 Drawing Sheet

[56] **References Cited**  
 U.S. PATENT DOCUMENTS

D. 196,517	10/1963	Chion .....	D22/142
D. 288,112	2/1987	Childre .....	D22/142
D. 288,114	2/1987	Childre .....	D22/142
D. 294,626	3/1988	Rumbaugh et al. ....	D22/142
D. 294,628	3/1988	Rumbaugh .....	D22/142
D. 299,737	2/1989	Andreasen .....	D22/142
D. 301,049	5/1989	Lassi .....	D22/142
D. 301,050	5/1989	Lassi .....	D22/142
D. 301,051	5/1989	Lassi .....	D22/142



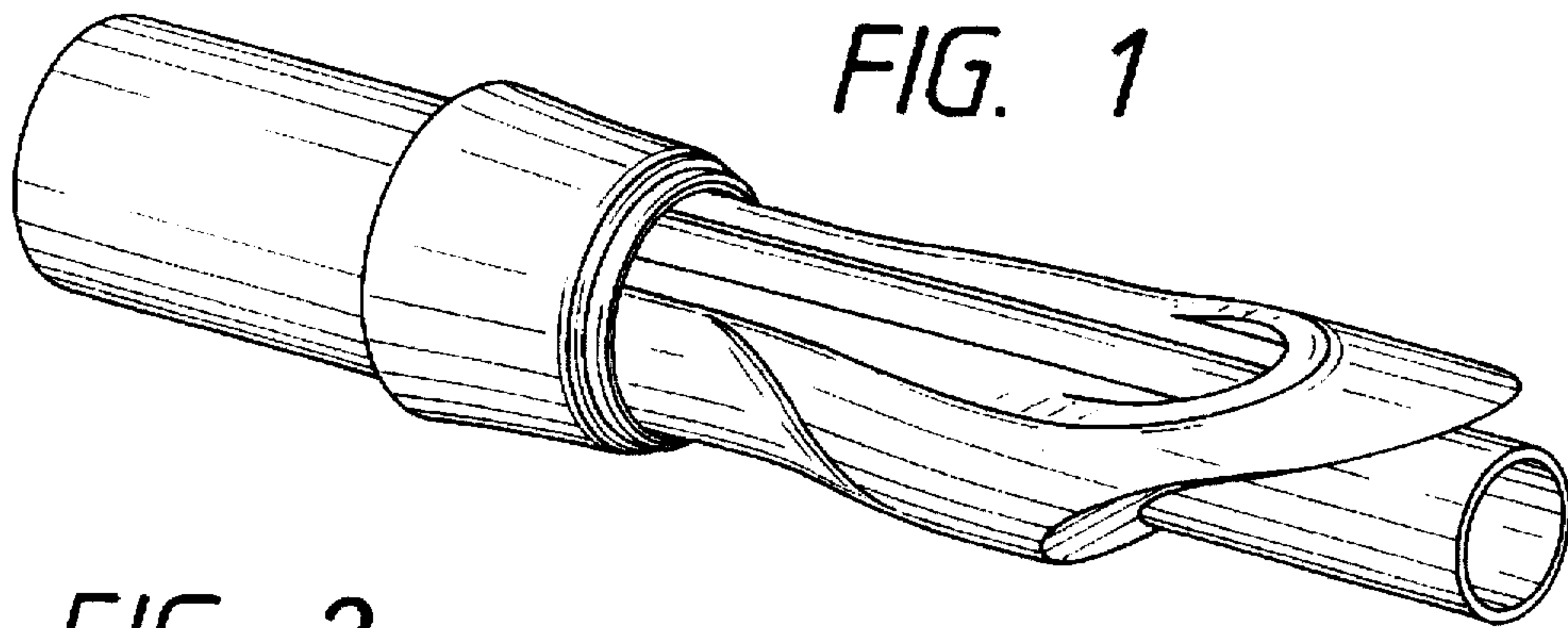


FIG. 2

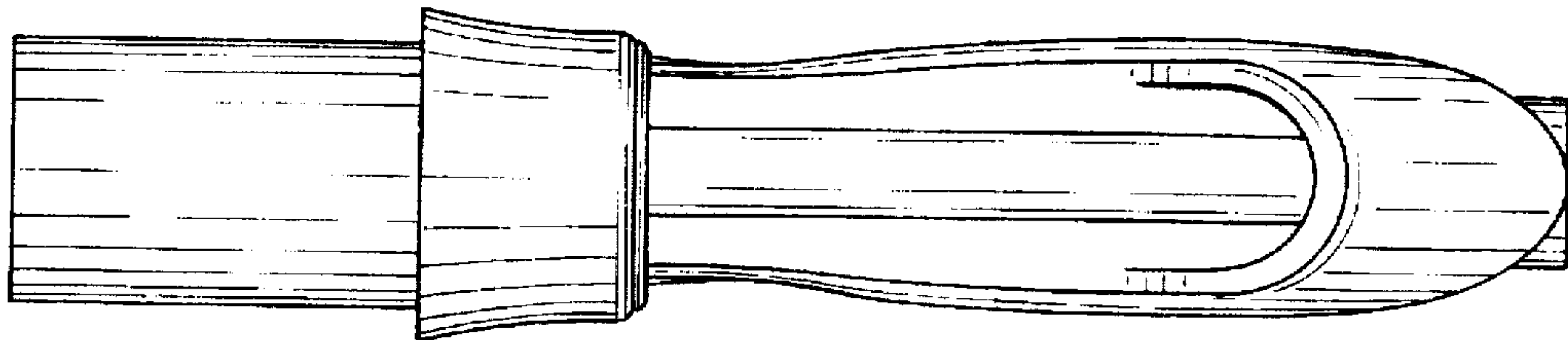


FIG. 3

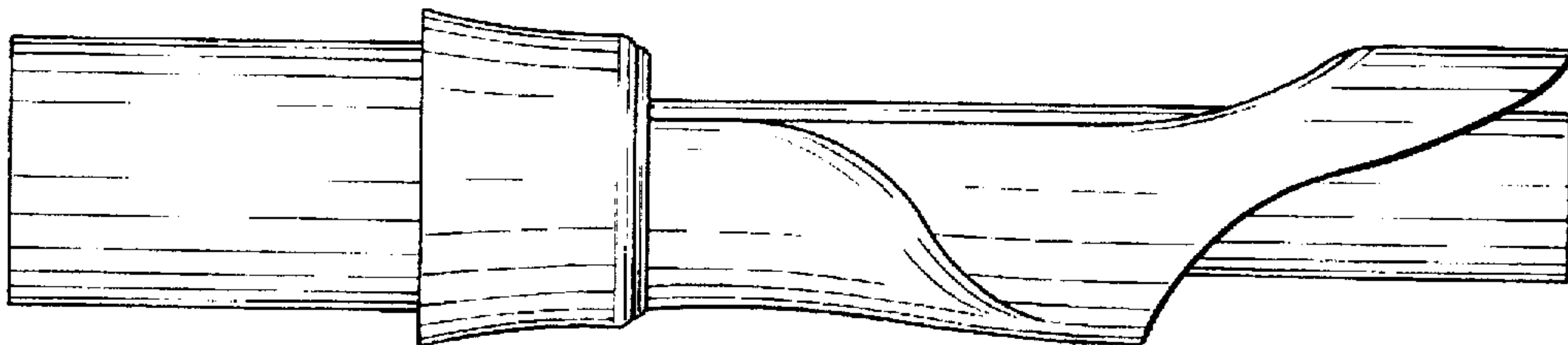


FIG. 4

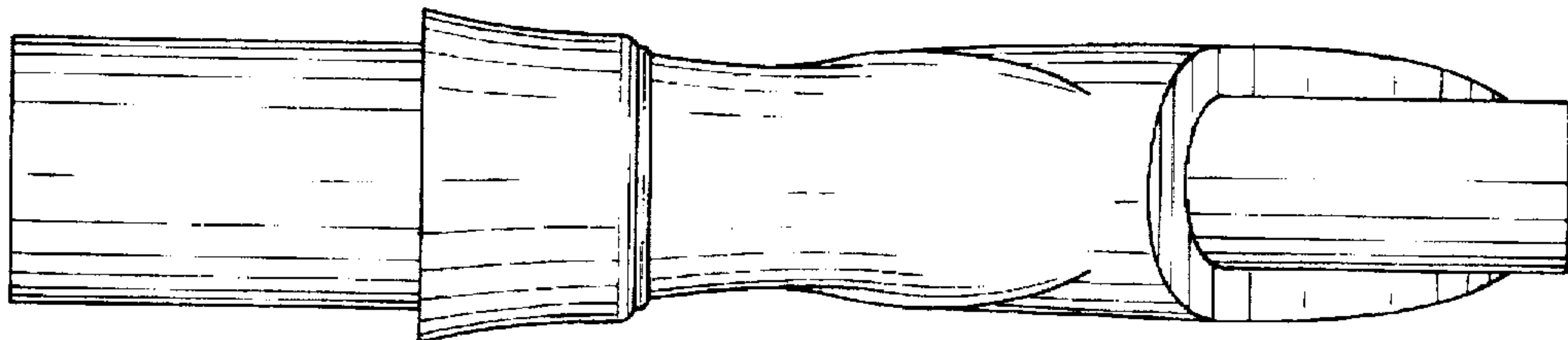


FIG. 5

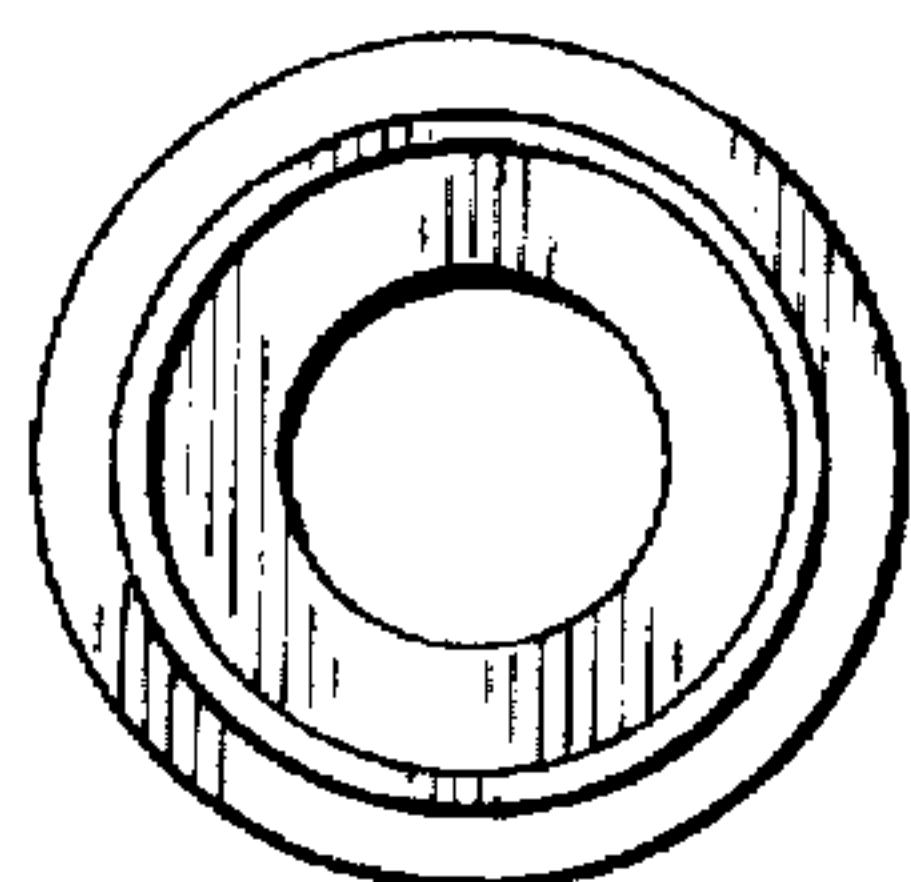


FIG. 6

