



US00D388141S

**United States Patent** [19]  
**Nielsen**

[11] **Patent Number: Des. 388,141**  
[45] **Date of Patent: \*\*Dec. 23, 1997**

[54] **TOY ANIMAL**

[75] **Inventor: Helle Kleist Nielsen, Frederiksberg, Denmark**

[73] **Assignee: Interlego AG, Baar, Switzerland**

[\*\*] **Term: 14 Years**

[21] **Appl. No.: 59,816**

[22] **Filed: Sep. 17, 1996**

[51] **LOC (6) Cl. .... 21-01**

[52] **U.S. Cl. .... D21/150; D21/185**

[58] **Field of Search .... D21/148, 149, D21/150, 151, 185; 446/97, 268, 269, 279, 280, 283, 286, 289, 290, 291, 292**

[56] **References Cited**

**U.S. PATENT DOCUMENTS**

D. 164,549	9/1951	Brice .....	D21/150
D. 254,798	4/1980	Johnstone .....	D21/150
D. 274,072	5/1984	Emms et al. ....	D21/185
D. 278,736	5/1985	Klawitter .....	D21/150
1,521,573	12/1924	Myers .....	D21/148
2,728,168	12/1955	Gier .....	446/290
3,005,286	10/1961	Derham .....	446/291

**OTHER PUBLICATIONS**

Dankin 1995 Baby Things Catalog, p. 25, Mr. Legs Caterpillar, top right.

*Primary Examiner*—Sandra L. Morris  
*Attorney, Agent, or Firm*—Kane, Dalsimer, Sullivan, Kurucz, Levy, Eisele and Richard, LLP

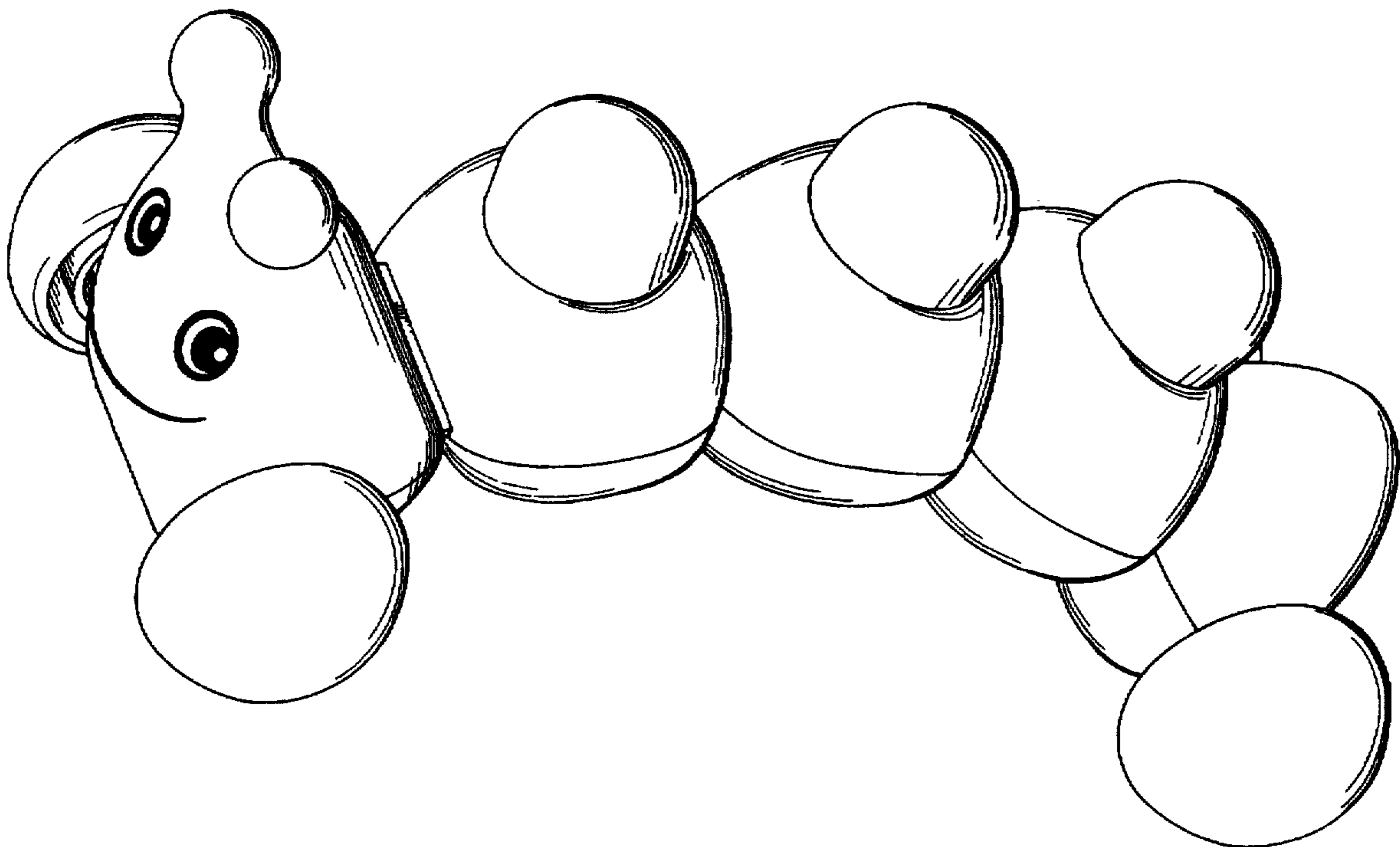
[57] **CLAIM**

The ornamental design for a toy animal, as shown and described.

**DESCRIPTION**

FIG. 1 is a top perspective view of the toy animal; FIG. 2 is a bottom perspective view thereof; FIG. 3 is a front elevational view thereof; FIG. 4 is a left side elevational view thereof, the right side being identical; FIG. 5 is a left side elevational view thereof, shown in an alternative position; FIG. 6 is a rear elevational view thereof; FIG. 7 is a bottom plan view thereof; and, FIG. 8 is a top plan view thereof.

**1 Claim, 7 Drawing Sheets**



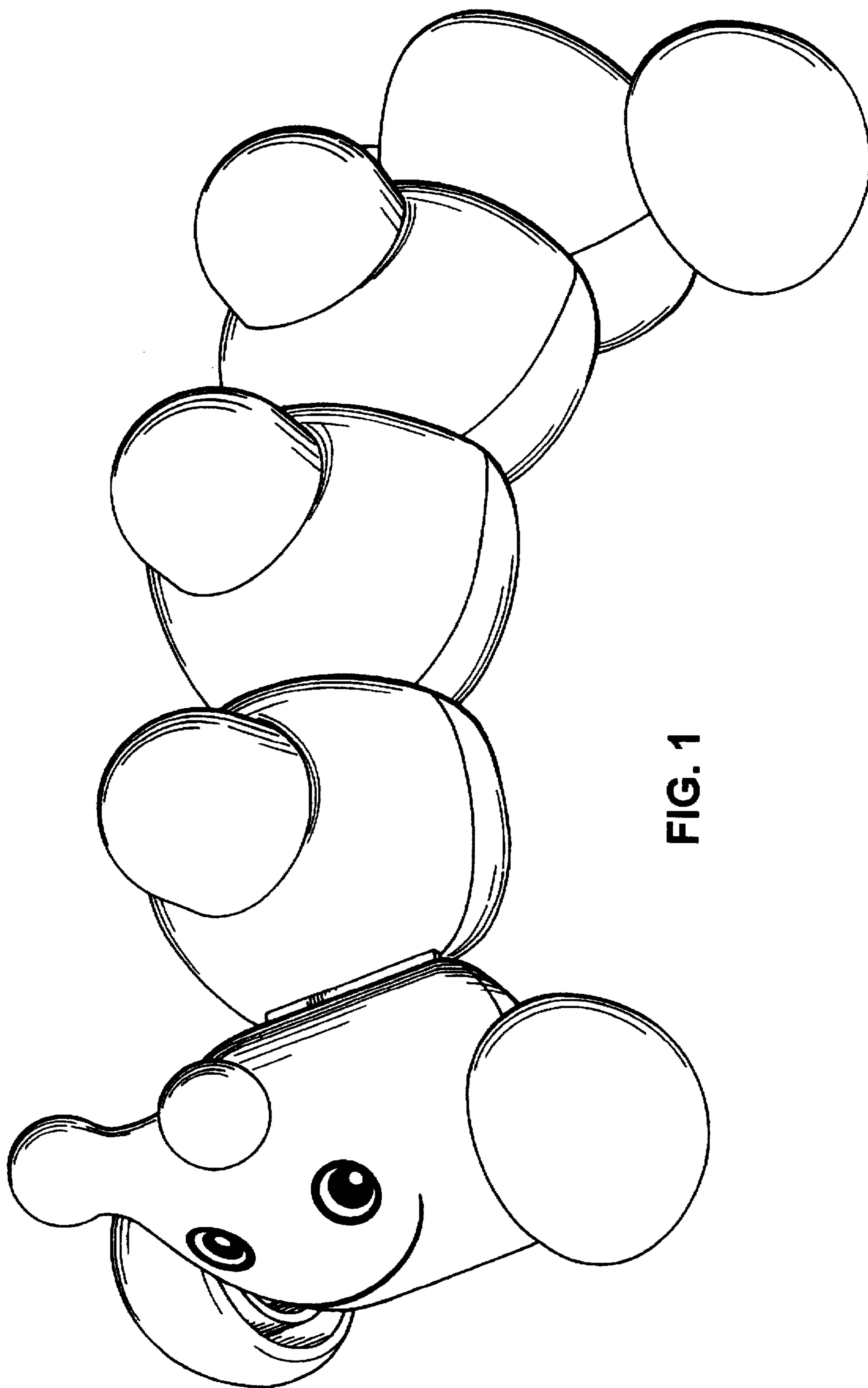


FIG. 1

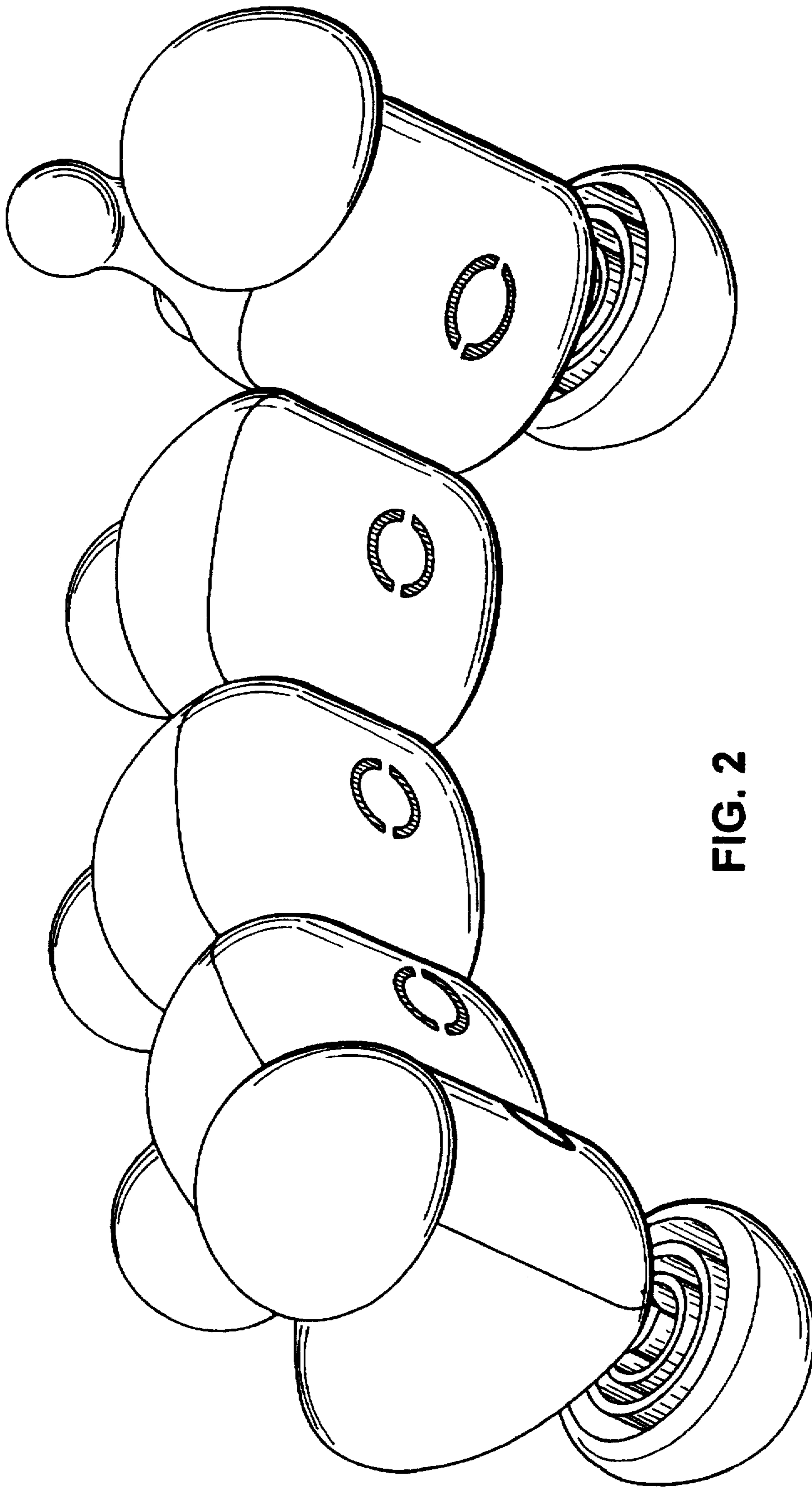


FIG. 2

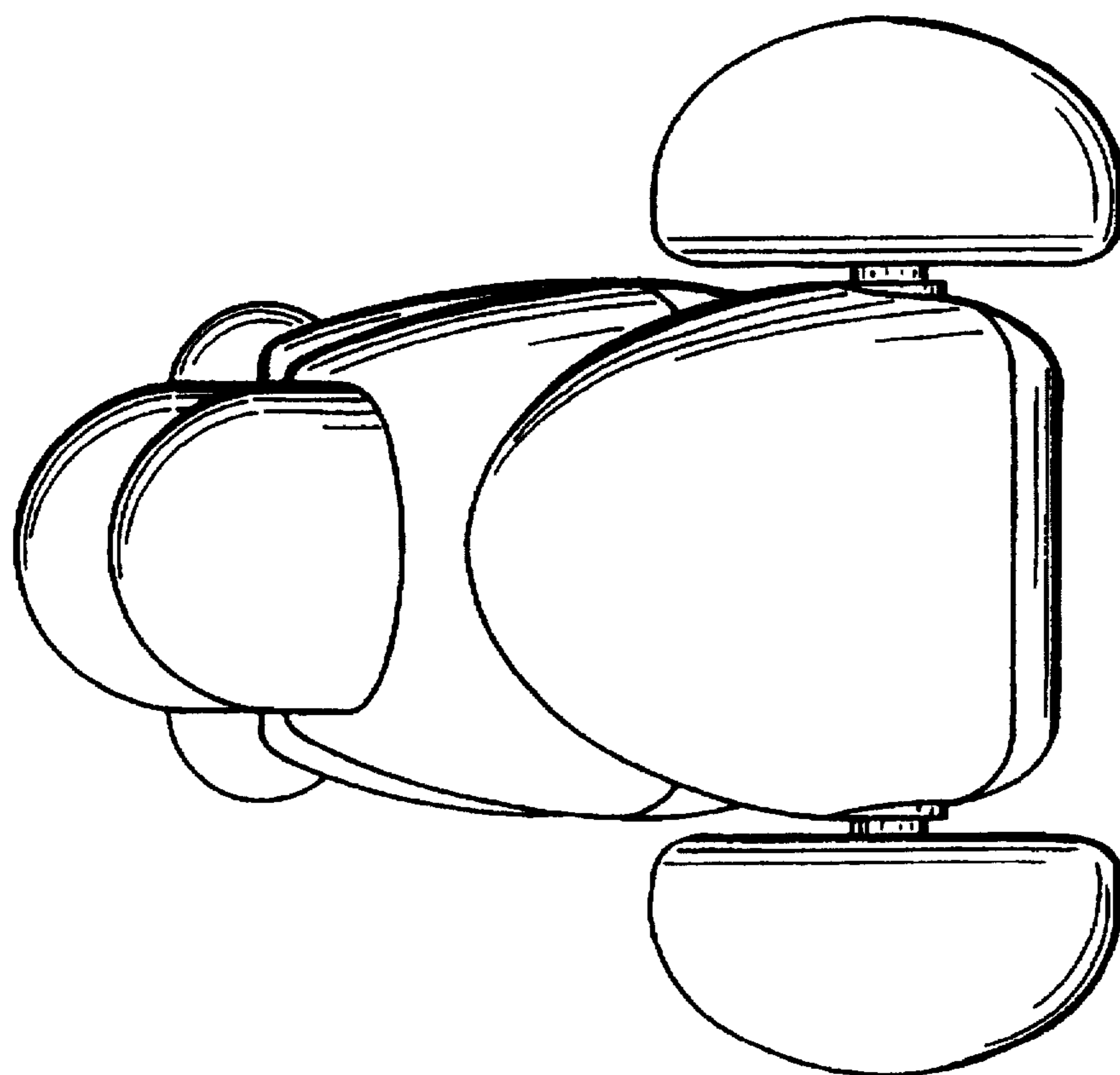


FIG. 6

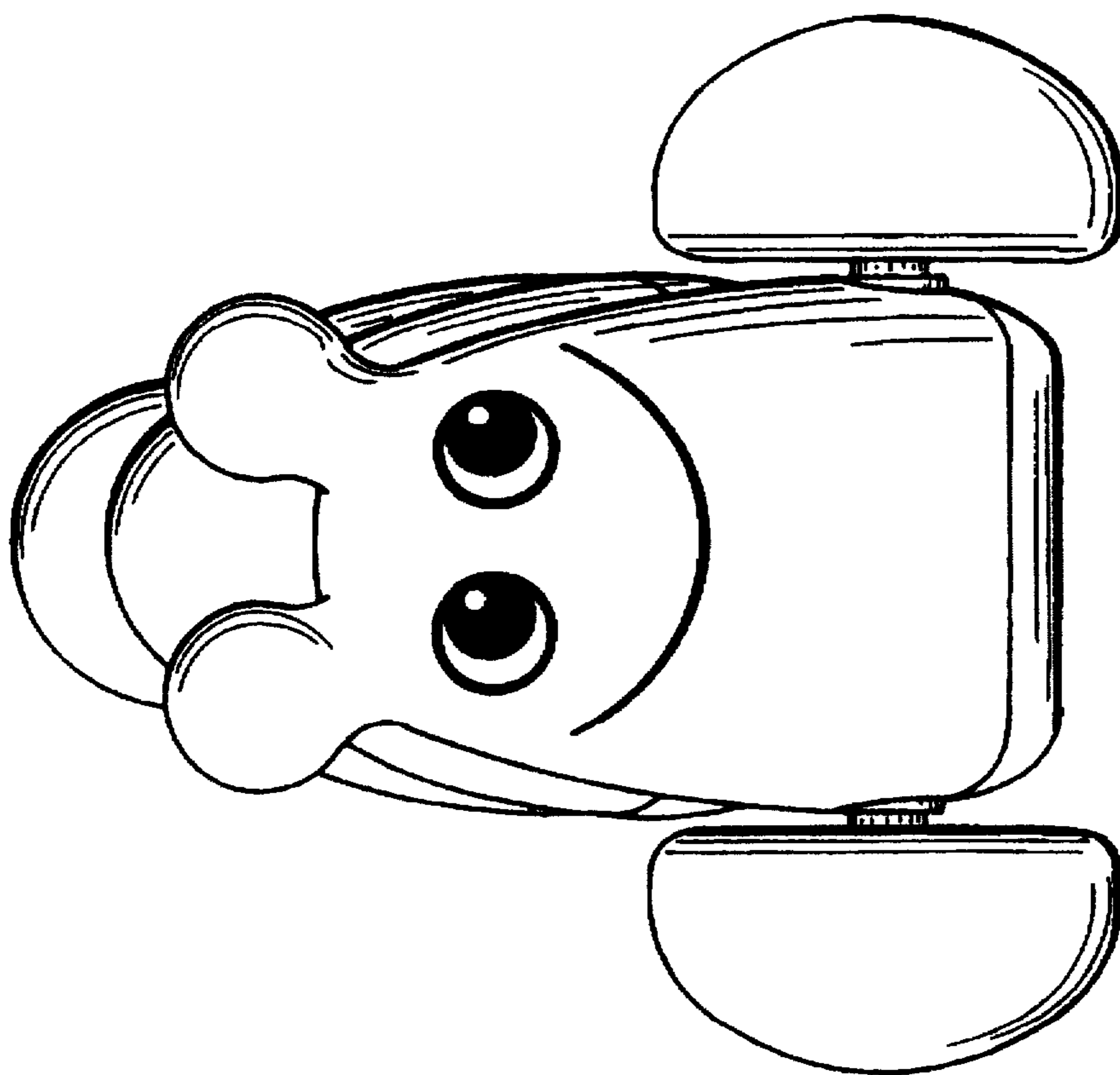
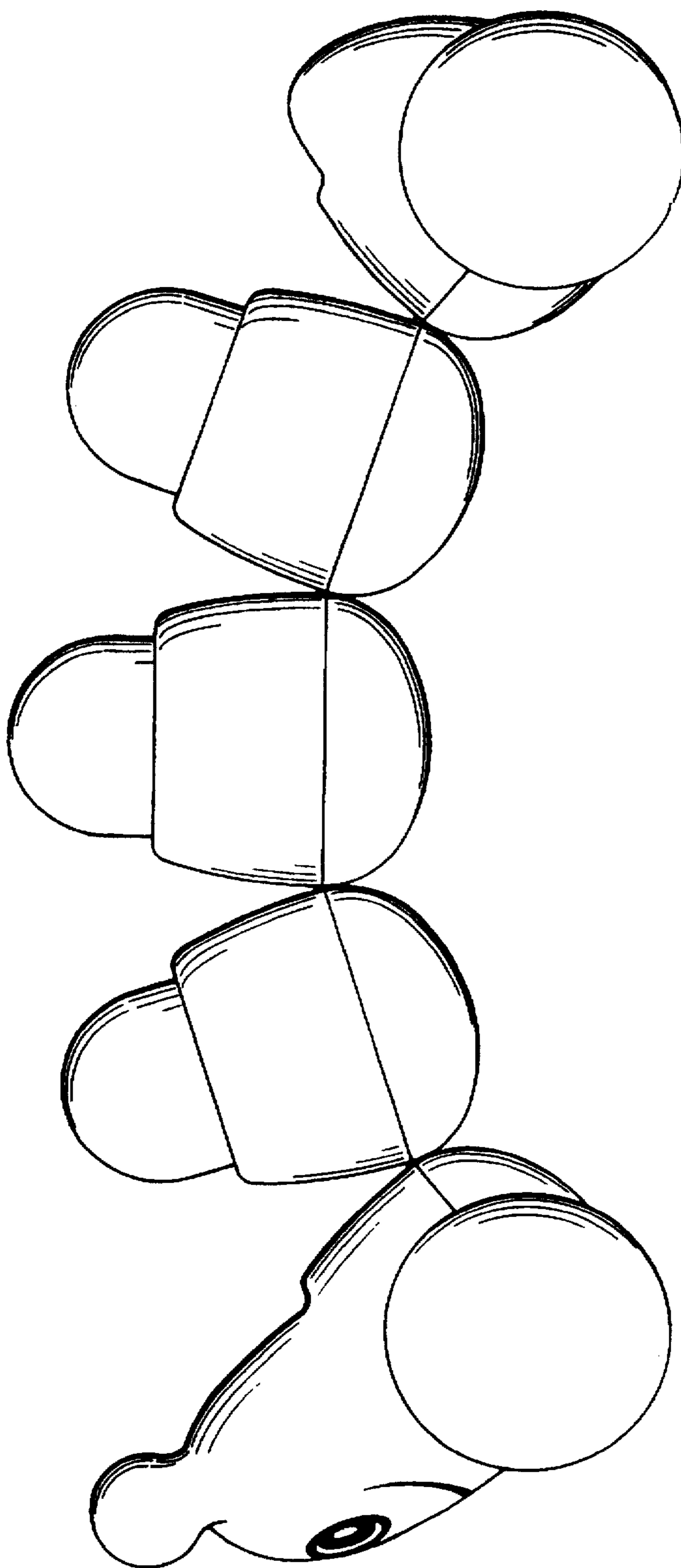


FIG. 3

FIG. 4



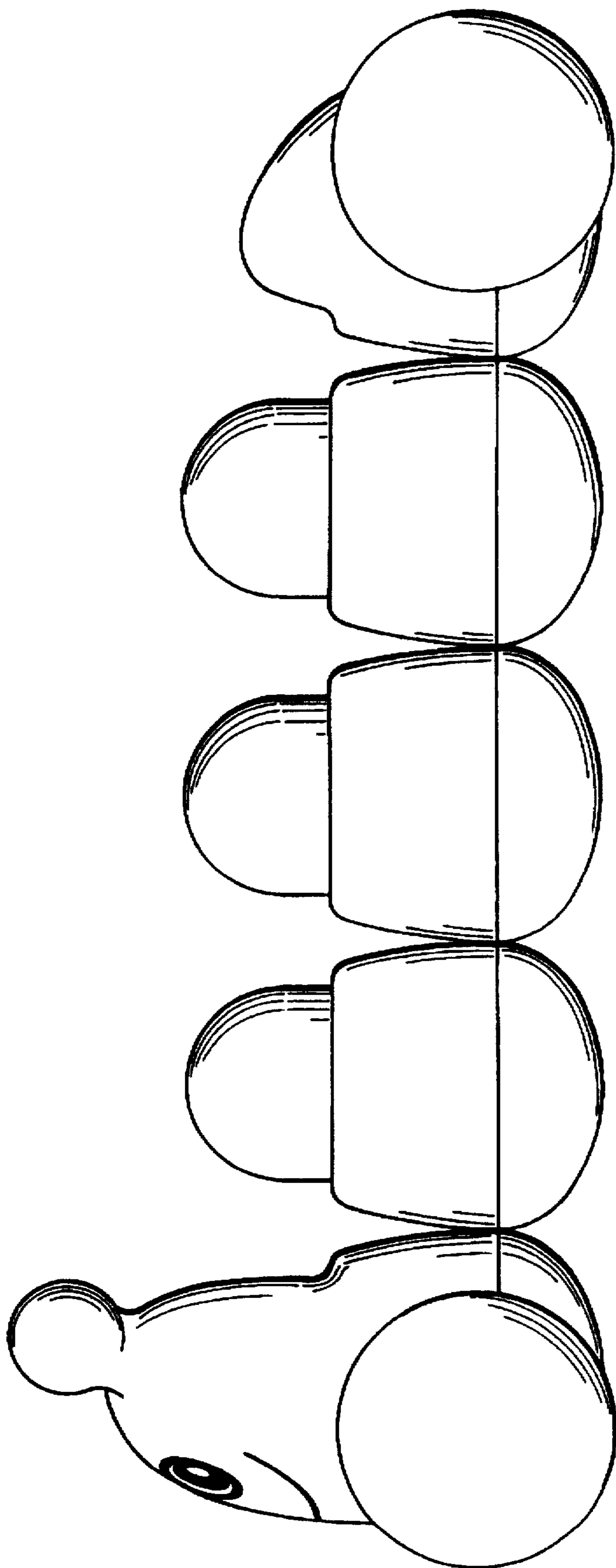
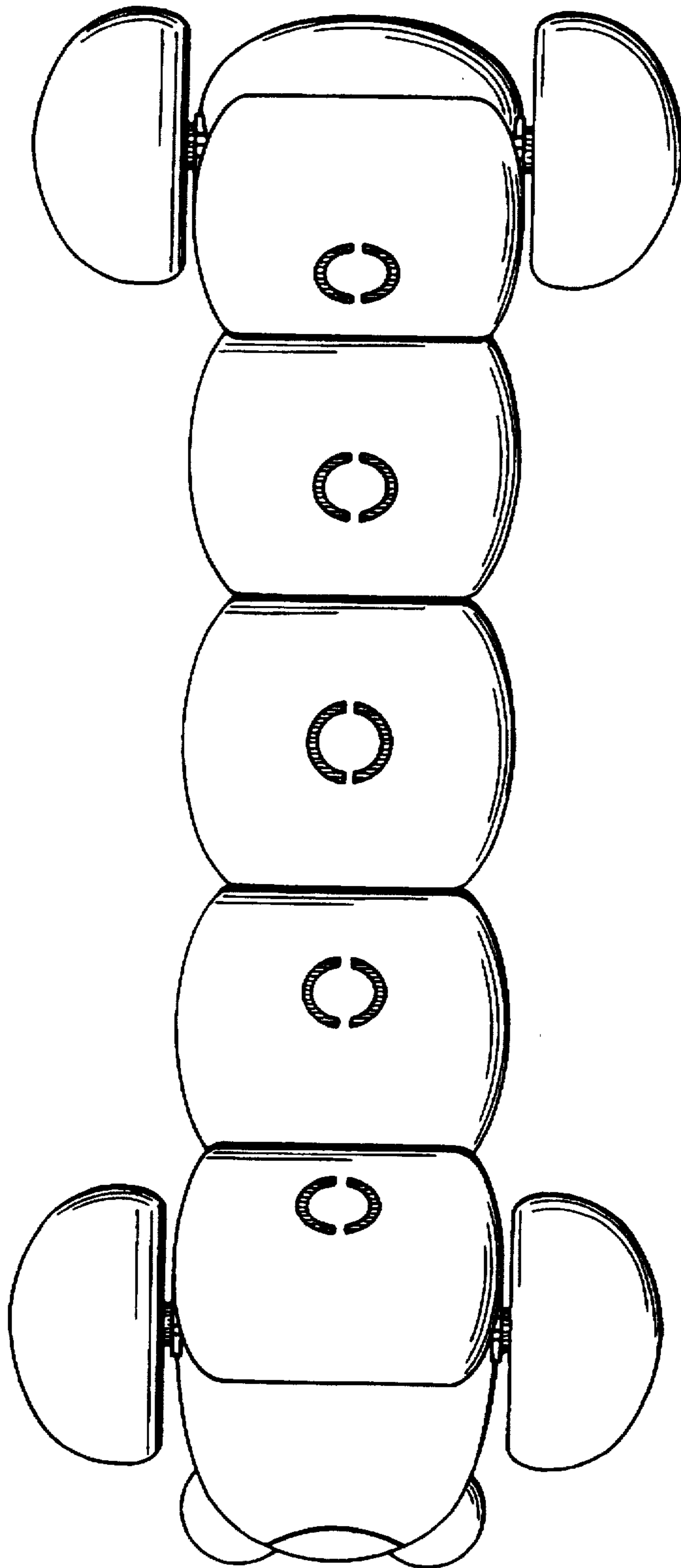


FIG. 5

FIG. 7



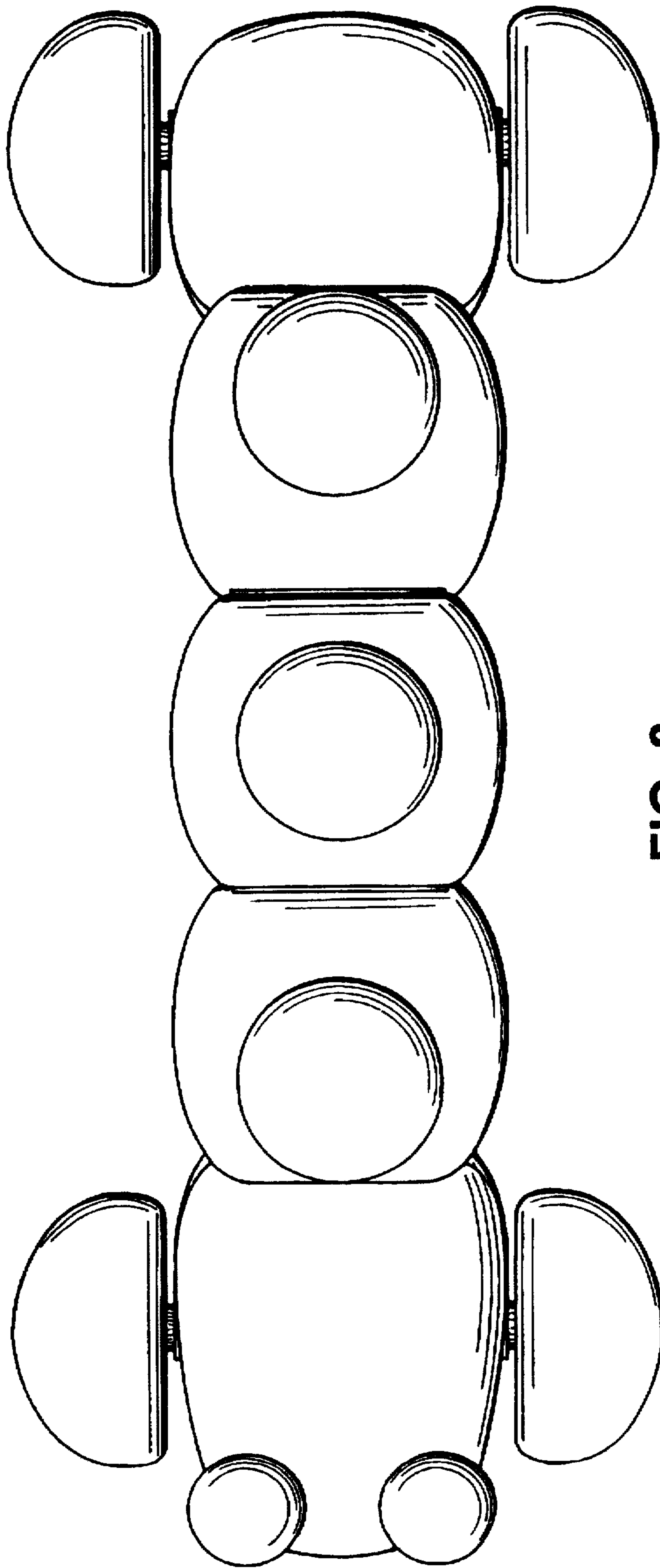


FIG. 8