

US00D388138S

United States Patent [19]

Lanoix et al.

[11] Patent Number: Des. 388,138

[45] Date of Patent: **Dec. 23, 1997

[54] REVERSIBLE RACE TRACK SECTION

[75] Inventors: **Réal Lanoix**, Laval; **Jean-Christophe Doyon**, Verdun; **Gilles Collin**, Laval; **Daniel Bourgeois**, Sainte-Rose, all of Canada

[73] Assignee: **The Ritvik Group Group Inc.**, Quebec, Canada

[**] Term: 14 Years

[21] Appl. No.: 49,878

[22] Filed: Feb. 2, 1996

[30] Foreign Application Priority Data

Dec. 20, 1995 [CA] Canada 1995-2887

[51] LOC (6) Cl. 21-01

[52] U.S. Cl. D21/143; D21/108

[58] Field of Search D21/143, 108, D21/129; 446/444, 445, 476, 447; 238/10 B, 10 F, 10 R, 10 E, 86 B

[56] References Cited

U.S. PATENT DOCUMENTS

- D. 221,450 8/1971 Baynes et al. D21/143
- D. 280,919 10/1985 Peterson D21/143
- D. 287,608 1/1987 Peterson D21/143
- D. 303,693 9/1989 Peterson D21/143

- D. 326,694 6/1992 Suzuki D21/143
- D. 344,310 2/1994 Ruskai D21/143
- 3,159,109 12/1964 Braverman 446/446
- 3,986,717 10/1976 Kirby et al. 446/444
- 4,479,650 10/1984 Neuhierl 273/86 B
- 5,080,627 1/1992 Oriya et al. 446/444
- 5,102,133 4/1992 Chilton et al. 446/444

OTHER PUBLICATIONS

B.C. Playthings 1991-1992 p. 12, Track #1.

Primary Examiner—Raphael Barkai

Attorney, Agent, or Firm—Michael D. Bednarek; Kilpatrick Stockton LLP

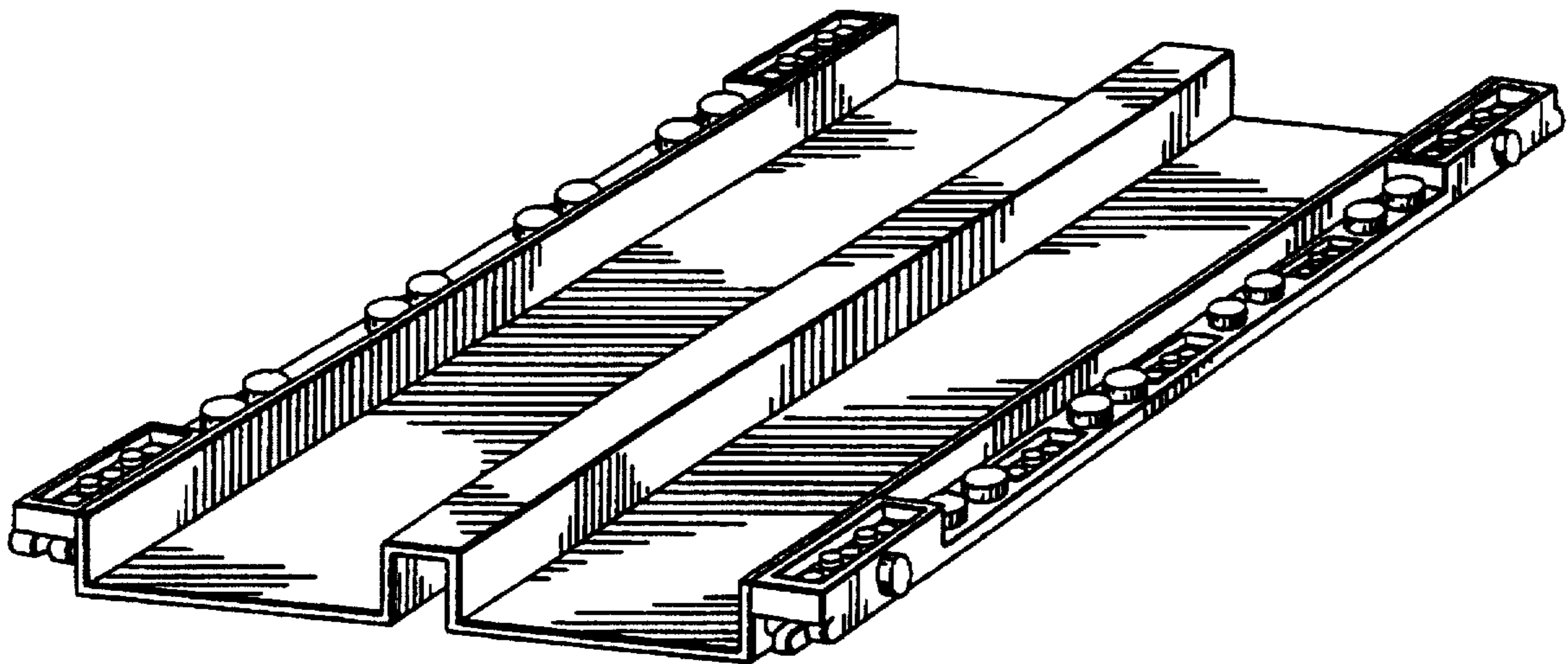
[57] CLAIM

The ornamental design for a reversible race track section, as shown and described.

DESCRIPTION

FIG. 1 is a bottom perspective view of a reversible race track section showing our new design;
 FIG. 2 is a top perspective view thereof;
 FIG. 3 is a top plan view thereof;
 FIG. 4 is a side elevational view thereof, the side opposite is identical;
 FIG. 5 is an end elevational view thereof, the side opposite is identical;
 FIG. 6 is a bottom plan view thereof;

1 Claim, 4 Drawing Sheets



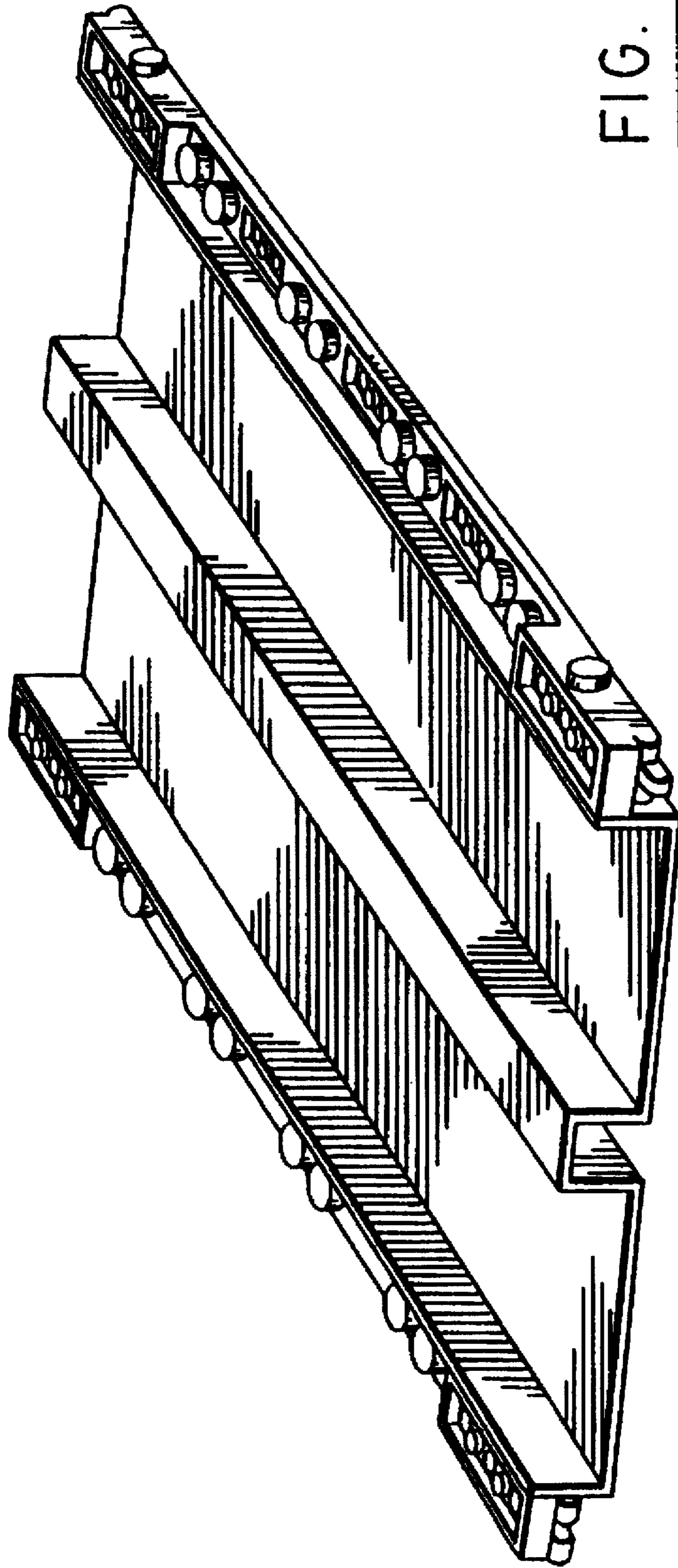


FIG. 1

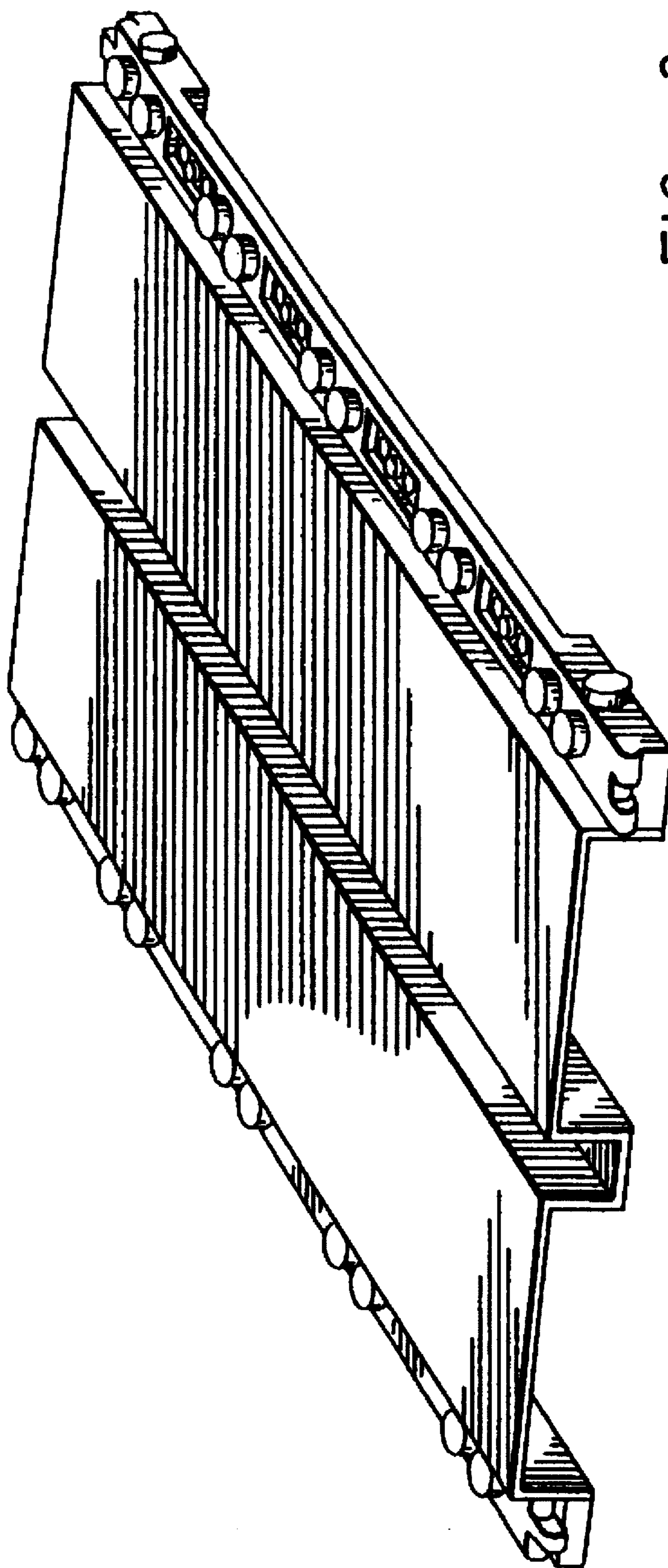


FIG. 2



FIG. 4

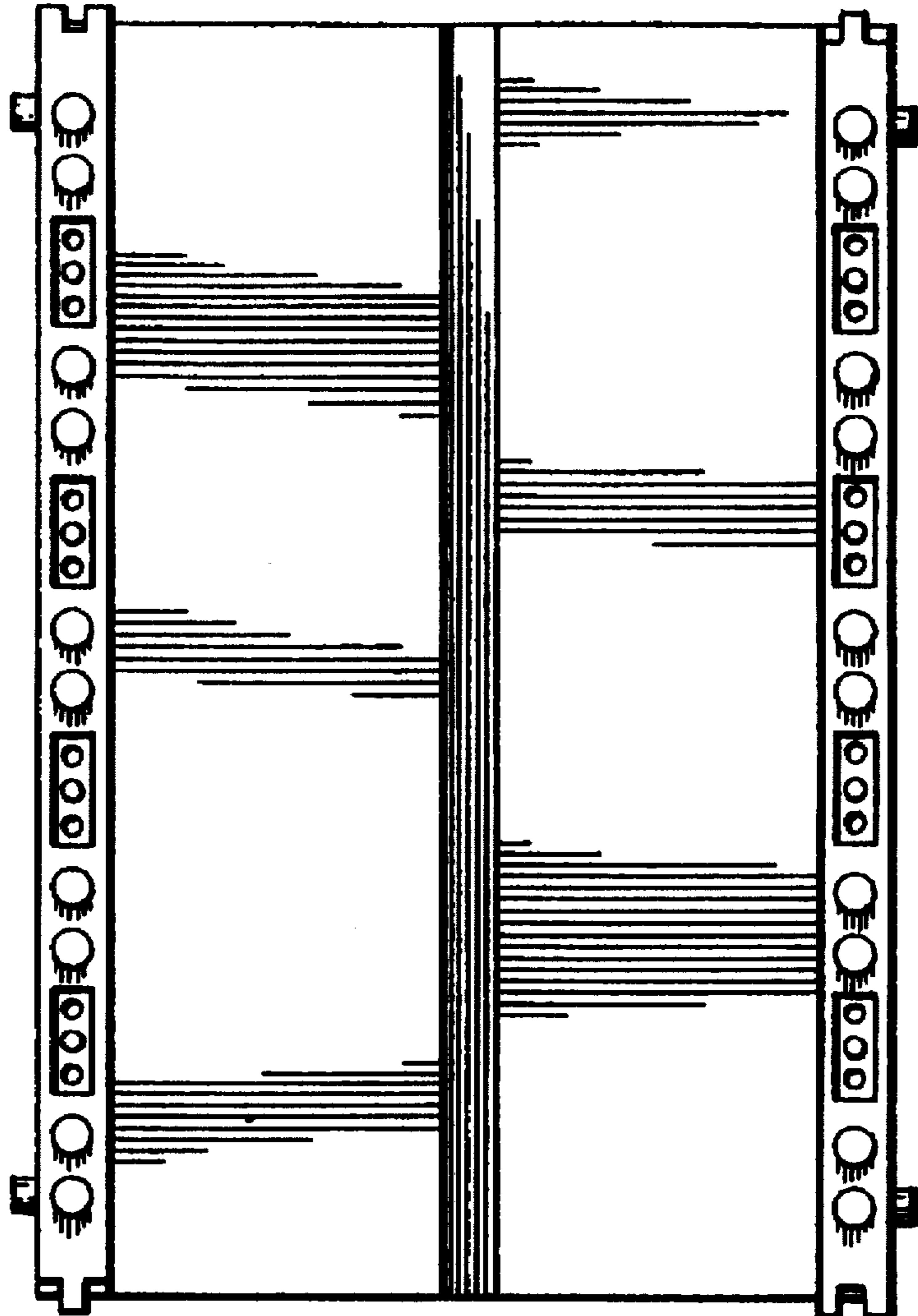


FIG. 3



FIG. 5

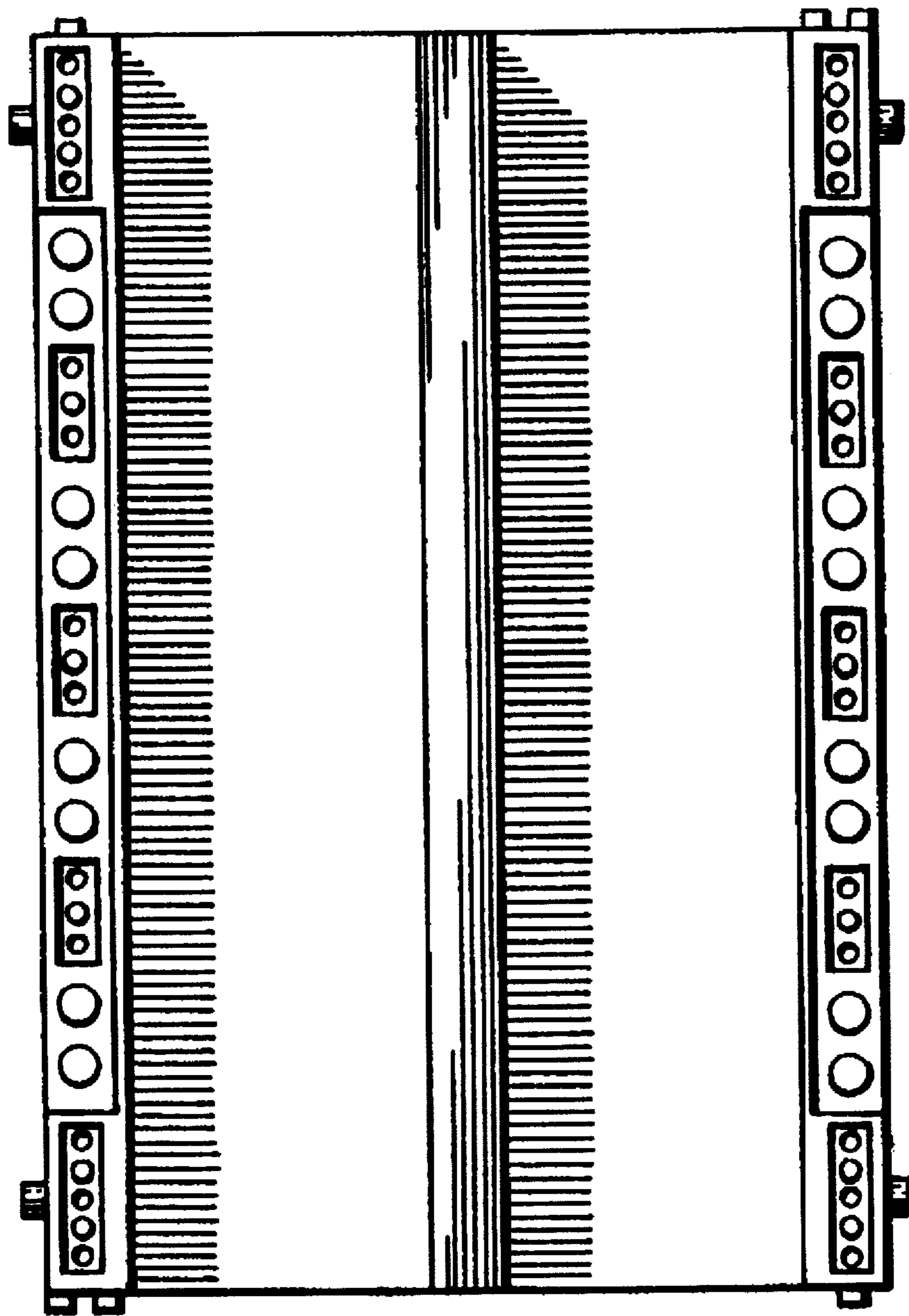


FIG. 6