



US00D388133S

United States Patent [19]

[11] **Patent Number: Des. 388,133**

Forti et al.

[45] **Date of Patent: **Dec. 23, 1997**

[54] **FLYING GYROSCOPE DESIGN**

[76] **Inventors: Mark Forti; William B. Forti, both of
311 W. 6th St, Claremont, Calif. 91711**

[**] **Term: 14 Years**

[21] **Appl. No.: 51,419**

[22] **Filed: Mar. 11, 1996**

[51] **LOC (6) Cl. 21-01**

[52] **U.S. Cl. D21/82; D21/89**

[58] **Field of Search D21/82, 86, 89;
473/589; 446/34, 233**

[56] **References Cited**

U.S. PATENT DOCUMENTS

- D. 247,923 5/1978 Bartz D2/82
- D. 307,773 5/1990 Colton D21/82

- D. 364,431 11/1995 Diecidue et al. D21/82
- 2,364,776 8/1944 Morrow 473/589 X
- 4,151,674 5/1979 Klahn et al. 473/589 X
- 4,246,721 1/1981 Bowers 473/589 X
- 4,790,788 12/1988 Hill 473/589 X
- 4,850,923 7/1989 Etheridge 446/34
- 5,397,261 3/1995 Malewicky 446/34 X

Primary Examiner—Dominic Simone

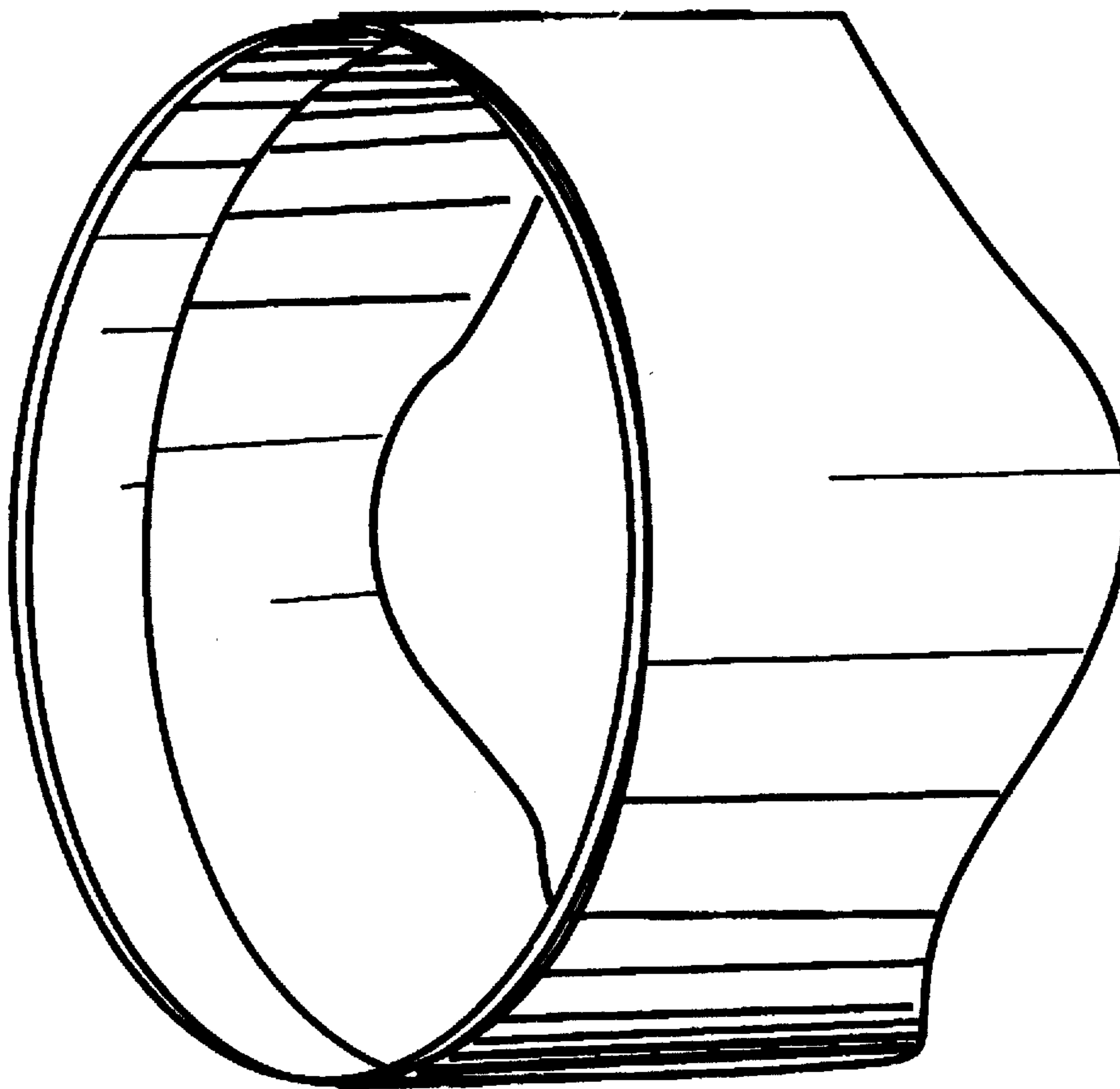
[57] **CLAIM**

The ornamental design for a flying gyroscope, as shown.

DESCRIPTION

FIG. 1 is a perspective view;
FIG. 2 is a side view;
FIG. 3 is a front elevation view; and,
FIG. 4 is a section view.

1 Claim, 1 Drawing Sheet



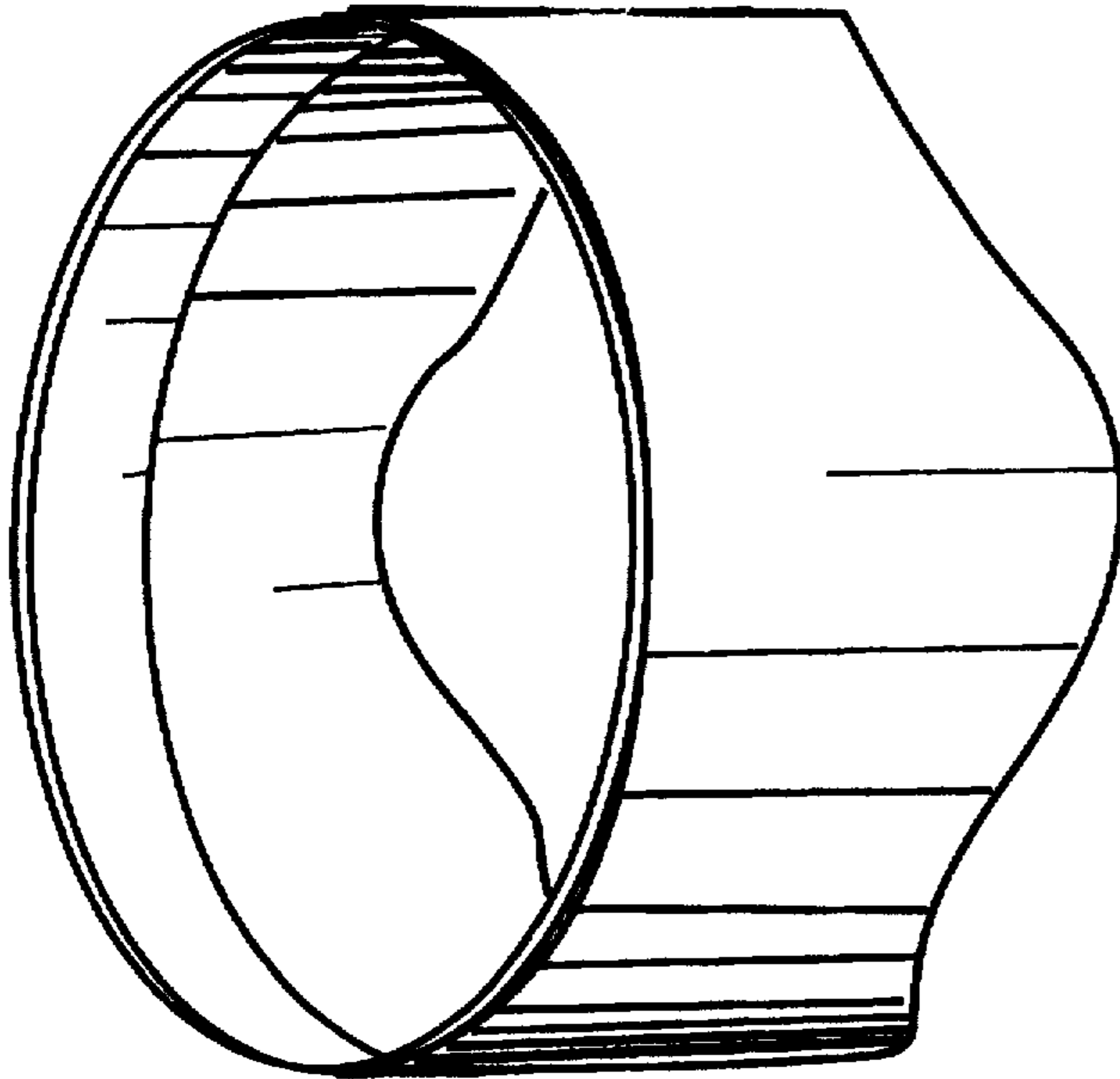


Figure 1

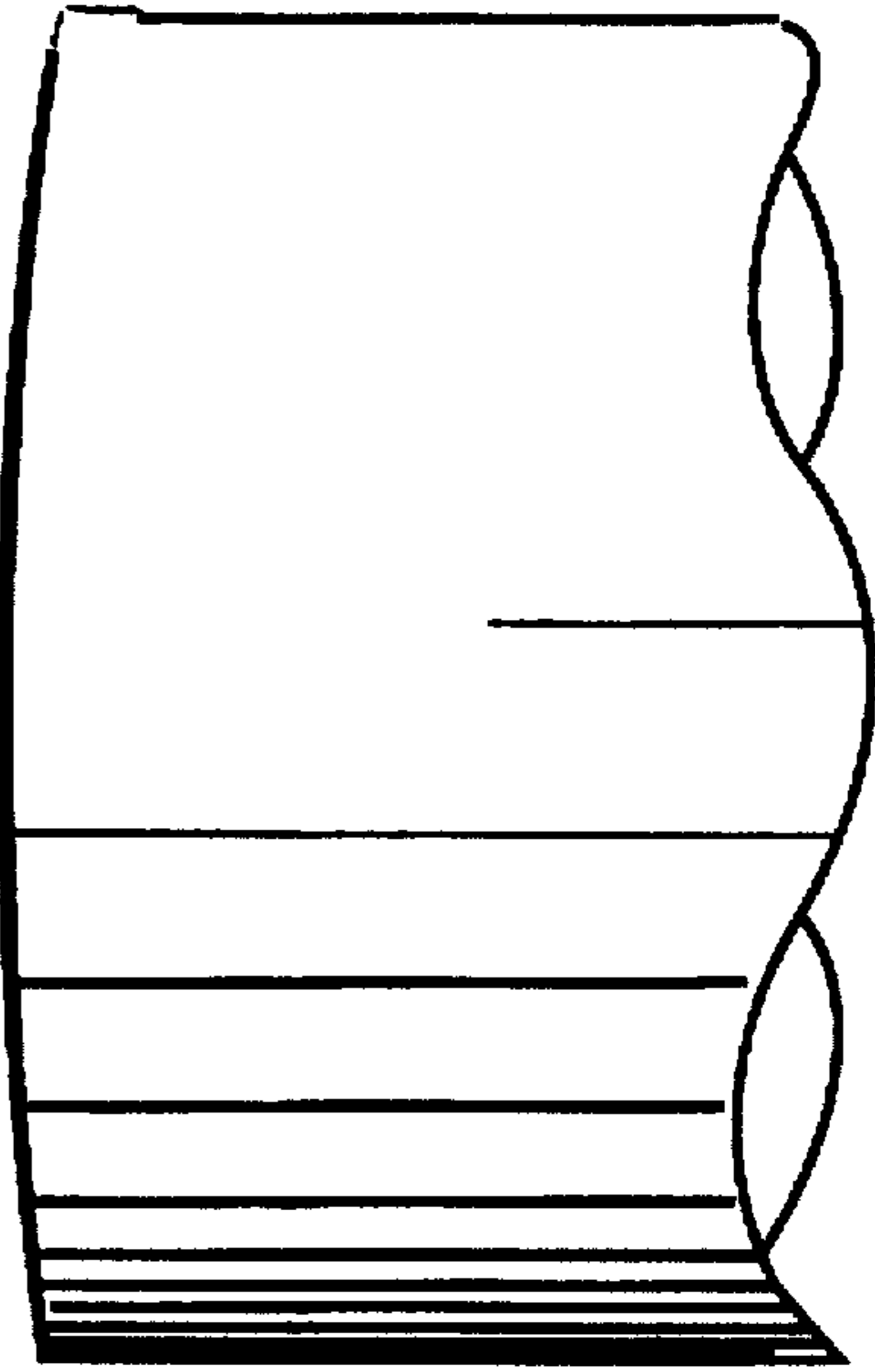


Figure 2

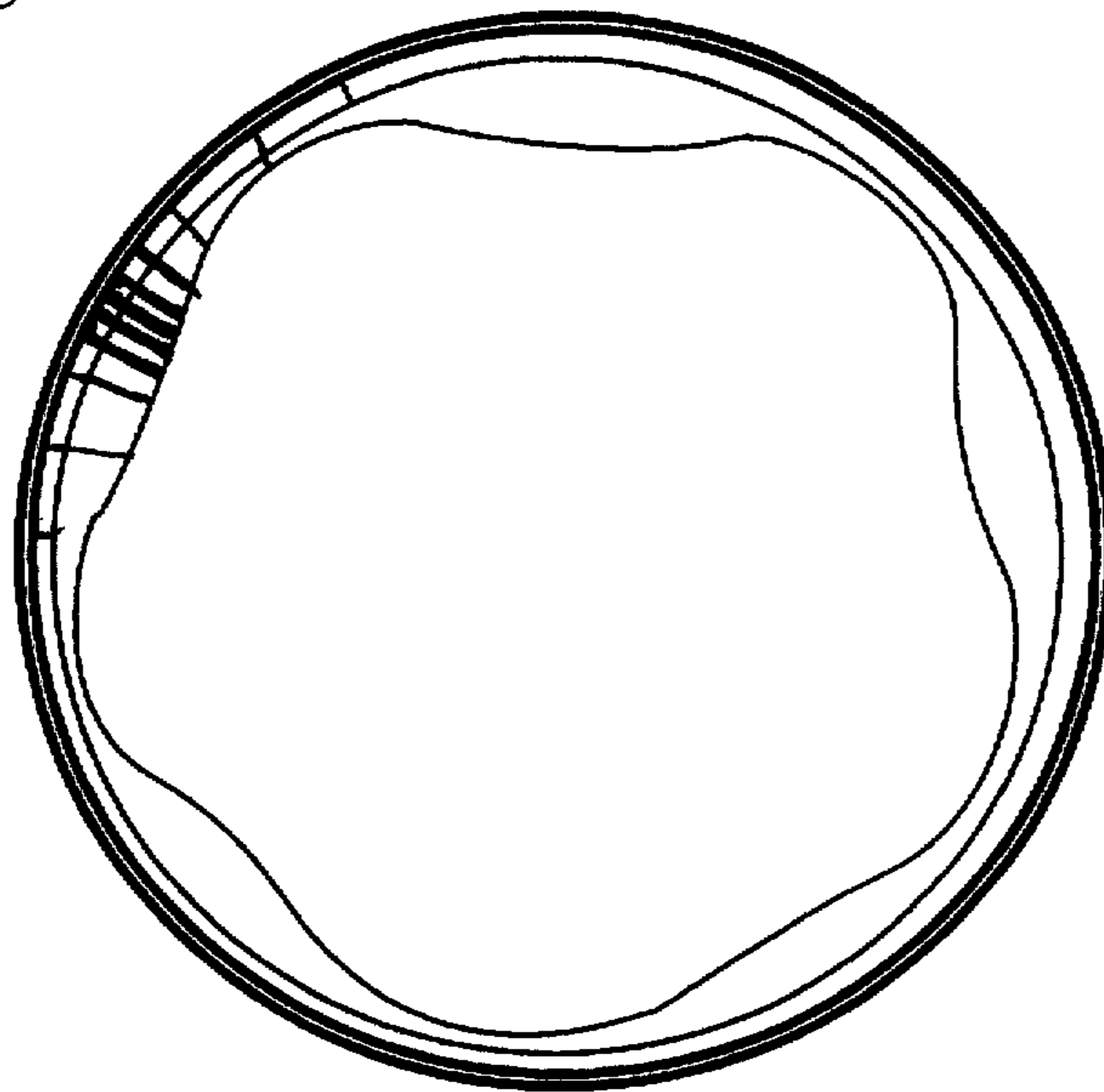


Figure 3



Figure 4