



US00D388132S

United States Patent [19]
Maxwell et al.

[11] **Patent Number: Des. 388,132**
[45] **Date of Patent: **Dec. 23, 1997**

[54] **TOY VEHICLE**

[75] **Inventors: Matthew C. Maxwell, Kent;
Christopher G. Walter, Suffield, both
of Ohio**

[73] **Assignee: The Little Tikes Company, Hudson,
Ohio**

[**] **Term: 14 Years**

[21] **Appl. No.: 56,942**

[22] **Filed: Jul. 12, 1996**

[51] **LOC (6) Cl. 21-01**

[52] **U.S. Cl. D21/78**

[58] **Field of Search D21/71, 74-80,
D21/129, 130, 132, 134, 135; D12/92,
100; 446/160, 428, 447, 456, 465, 470;
280/87.01, 87.021, 828, 1.13**

[56] **References Cited**

U.S. PATENT DOCUMENTS

- D. 111,248 9/1938 Forman .
- D. 211,481 6/1968 Seitzenger et al. D34/15
- D. 211,809 7/1968 Genin D34/15
- D. 236,607 9/1975 Bundschuh D12/107
- D. 238,595 1/1976 Goldfarb et al. D34/15
- D. 242,273 11/1976 Brass D34/15
- D. 242,701 12/1976 Viniegra D12/91
- D. 246,299 11/1977 Haggard D12/90
- D. 248,119 6/1978 Nix et al. D34/15
- D. 264,608 5/1982 Mariol D21/78
- D. 269,098 5/1983 Mariol D21/78
- D. 277,494 2/1985 Lerch D21/136
- D. 292,009 9/1987 Harrod D21/76
- D. 299,666 1/1989 Harrod D21/134
- D. 303,776 10/1989 Aker D12/108
- D. 311,760 10/1990 Harrod D21/78
- D. 312,488 11/1990 Kwan D21/134
- D. 314,997 2/1991 Harrod D21/134
- D. 323,193 1/1992 Litwicki D21/78
- D. 328,317 7/1992 Harrod D21/76
- D. 338,925 8/1993 VanHuystee D21/78
- D. 347,030 5/1994 Nolan D21/78
- D. 356,285 3/1995 Yang D12/85
- D. 359,082 6/1995 Aker et al. D21/78

- D. 361,800 8/1995 Lenihan D21/78
- D. 362,279 9/1995 Fuligni D21/78
- D. 368,287 3/1996 Walter D21/78
- D. 370,943 6/1996 Maxwell et al. D21/78

OTHER PUBLICATIONS

- P. 12, Toy vehicle; Blazon-Flexible Flyer Inc., 100 Tubb Avenue, West Point, Mississippi 39773. Publication date 1988.
- P. 25, Toy vehicle; Flexible Flyer Europe Corporation, adress unknown. Publication date 1991.
- P. 19, Toy car; Playskool, A Division of Hasbro, Inc., 1027 Newport Avenue, P. O. Box 1059, Pawtucket, Rhode Island 02862-1059. Publication date 1993.
- P. 48, Toy trucks; SLM Inc., Patch Road RD1, P. O. Box 1070, Gloversville, New York 12078. Publication date 1993.
- P. 27, Toy vehicle; Today's Kids, Highway 10 East, Bonnevillle, Arkansas 72927. Publication date 1993.
- P. 21, Toy vehicle; Today's Kids, Highway 10 East, Bonnevillle, Arkansas 72927. Publication date 1995.
- Catalog page, Toy trucks; Hasbro, Inc., 1027 Newport Avenue, P. O. Box 1059, Pawtucket, Rhode Island 02862. Publication date 1992.

(List continued on next page.)

Primary Examiner—Raphael Barkai
Attorney, Agent, or Firm—Richard B. O'Planick; Lisa B. Riedesel

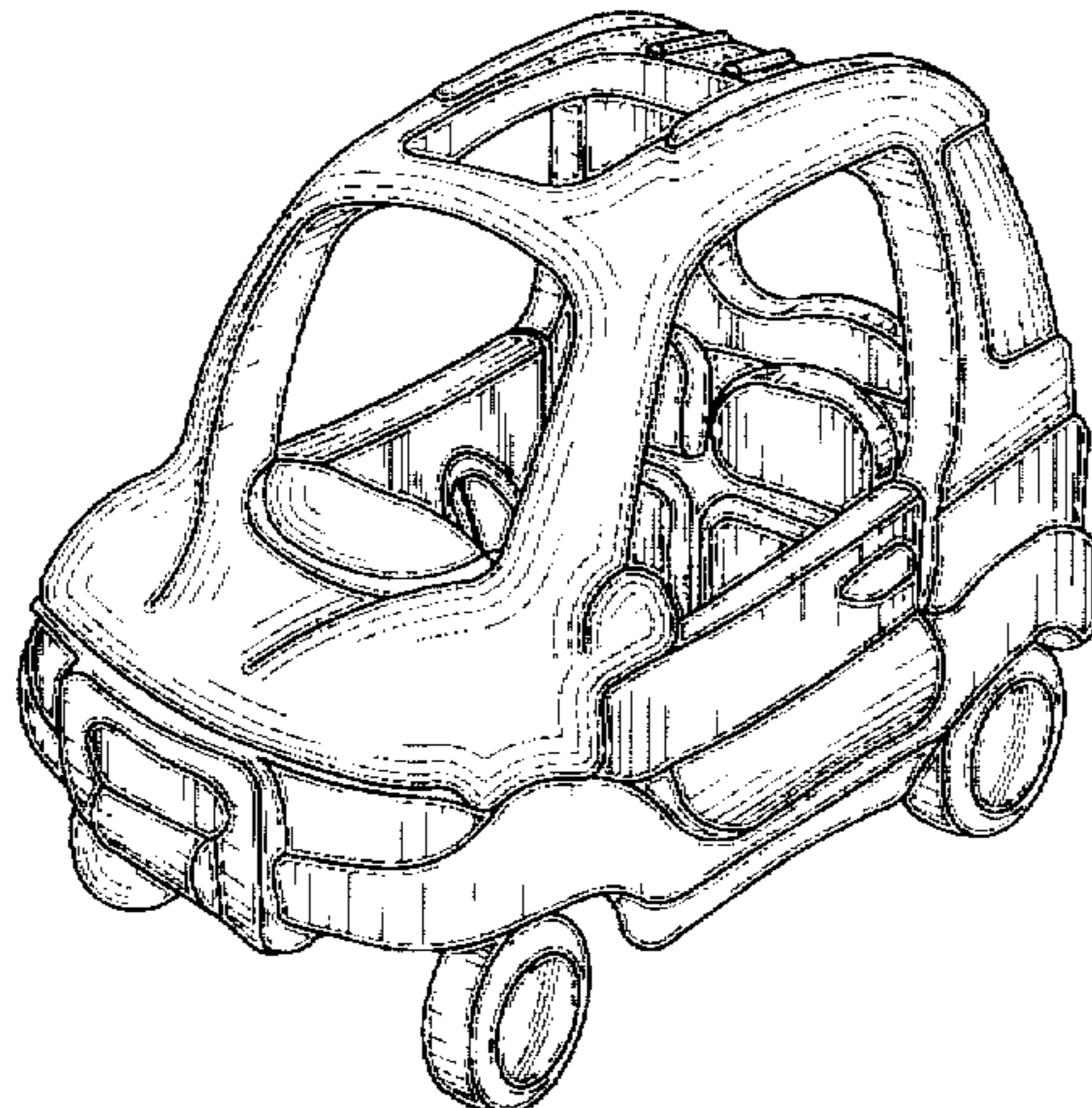
[57] **CLAIM**

The ornamental design for a toy vehicle, as shown and described.

DESCRIPTION

FIG. 1 is a top right front perspective view of a toy vehicle showing our new design;
FIG. 2 is a front elevational view thereof;
FIG. 3 is a rear elevational view thereof;
FIG. 4 is a top plan view thereof; and,
FIG. 5 is a left side elevational view thereof; the right side elevational view being a mirror image.

1 Claim, 5 Drawing Sheets



OTHER PUBLICATIONS

P. 9, Toy vehicle; Power Wheels, a Kransco Group Company, 3405 Meyer Road, P. O. Box 6700, Fort Wayne, Indiana 46896-0700. Publication date 1991.

Catalog page, Toy vehicle; Power Wheels, a Kransco Group Company, 3405 Meyer Road, P. O. Box 6700, Fort Wayne, Indiana 46896-0700. Publication date 1991.

P. 7, Toy vehicle; SLM International, Inc., 200 Fifth Avenue, New York, New York 10010. Publication date 1991.

P. 24, Toy vehicles; Tyco Toys, Inc., 6000 Midlantic Drive, Mount Laurel, New Jersey 08054. Publication date 1993.

P. 57, Toy ride-on vehicle; Fisher-Price, Inc., 620 Girard Avenue, East Aurora, New York 14052. Publication date 1994.

P. 41, Ride-on vehicles; The Little Tikes Company, 2180 Barlow Road, Hudson, Ohio 44236. Publication date 1994.

Sell sheet, Ride-on vehicle; The Little Tikes Company, 2180 Barlow Road, Hudson, Ohio 44236. Publication date 1994.

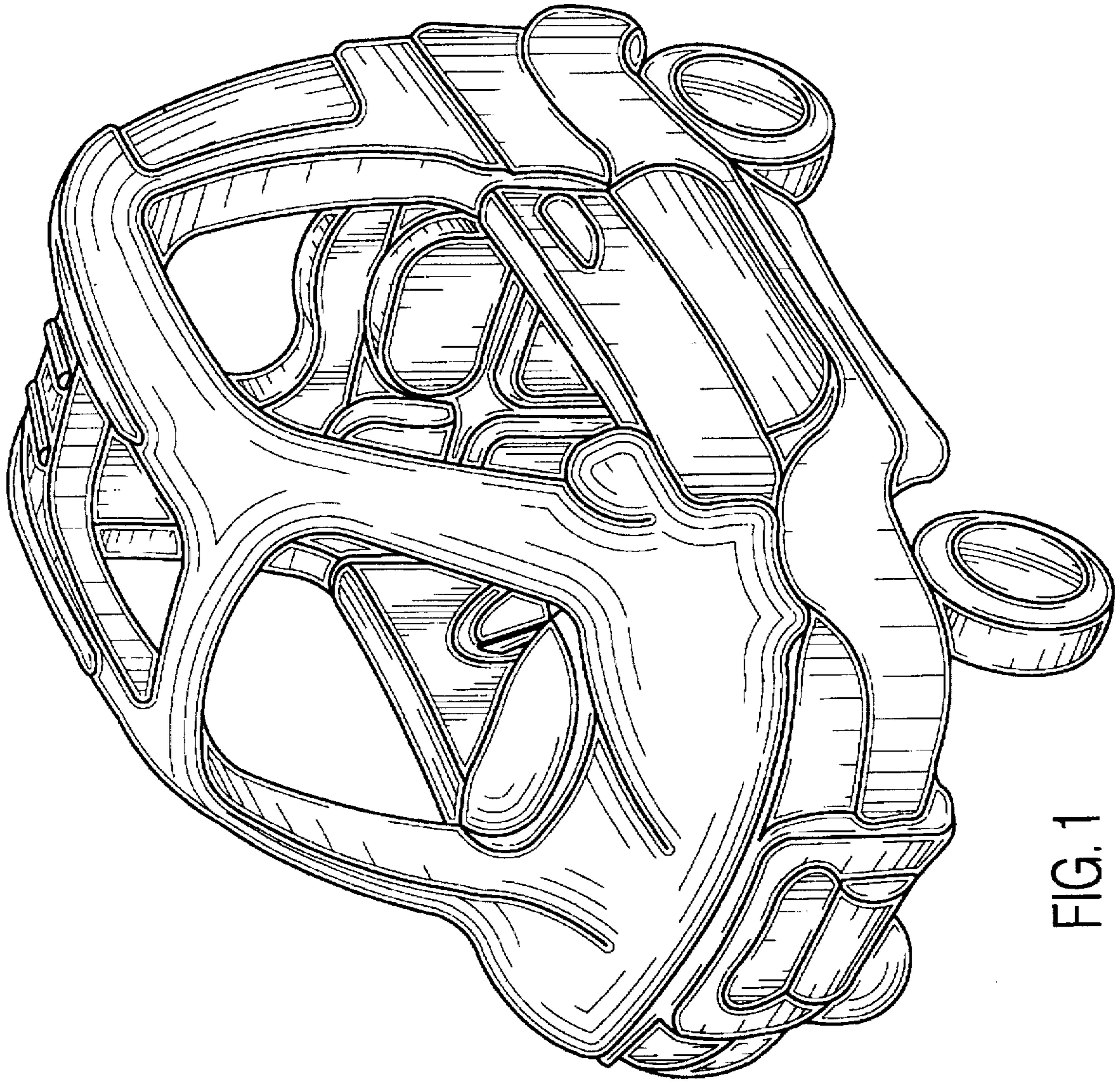


FIG. 1

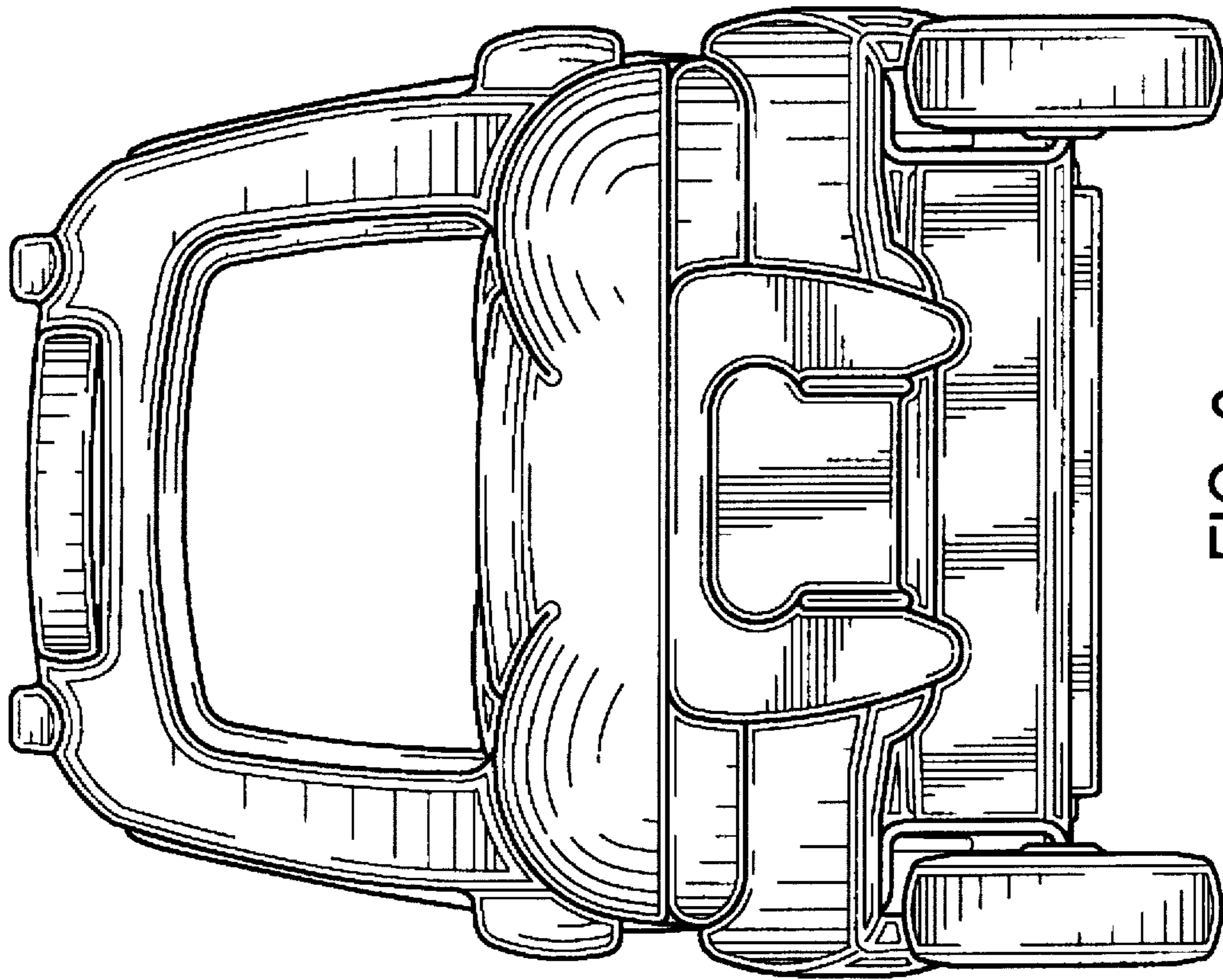


FIG. 2

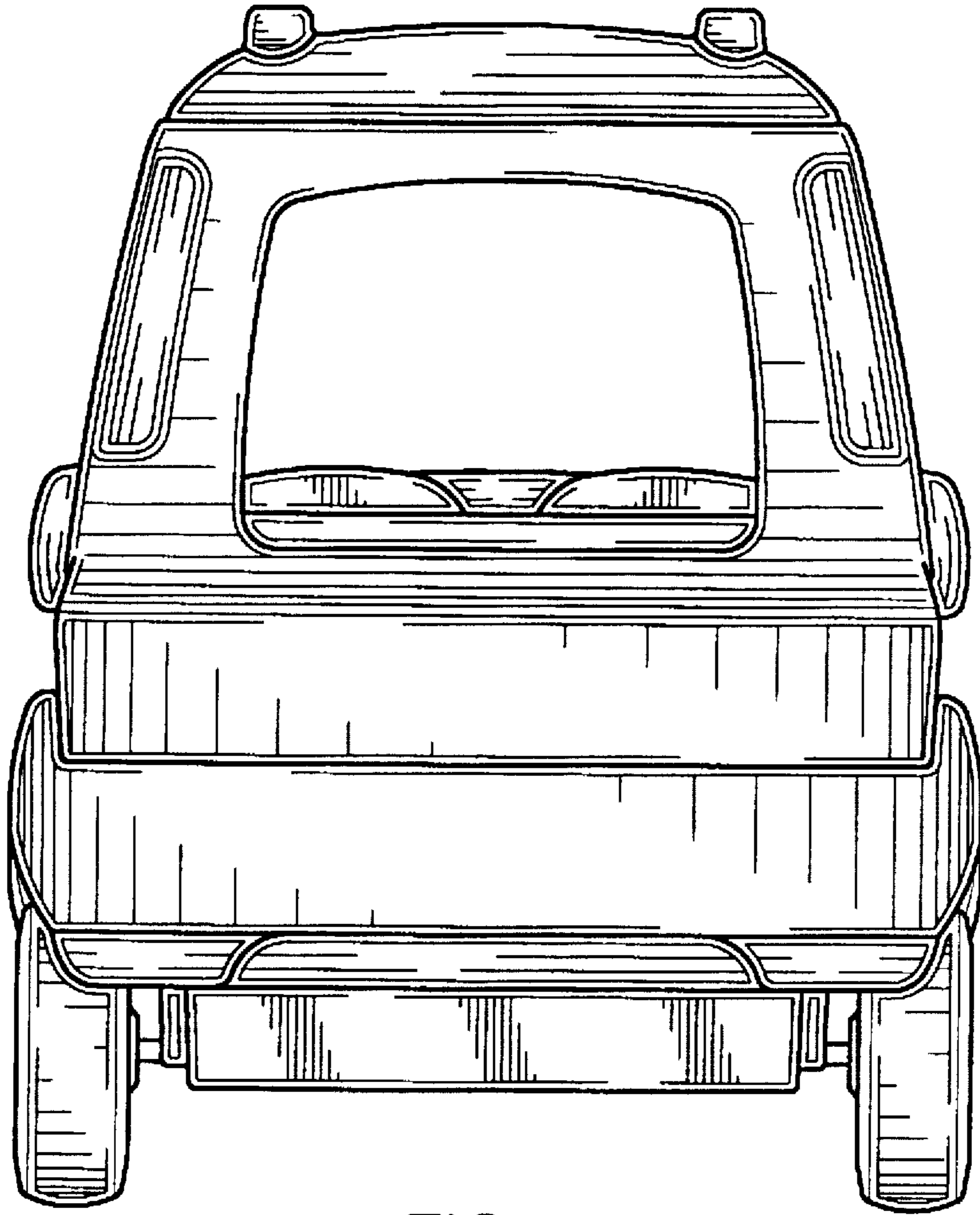


FIG. 3

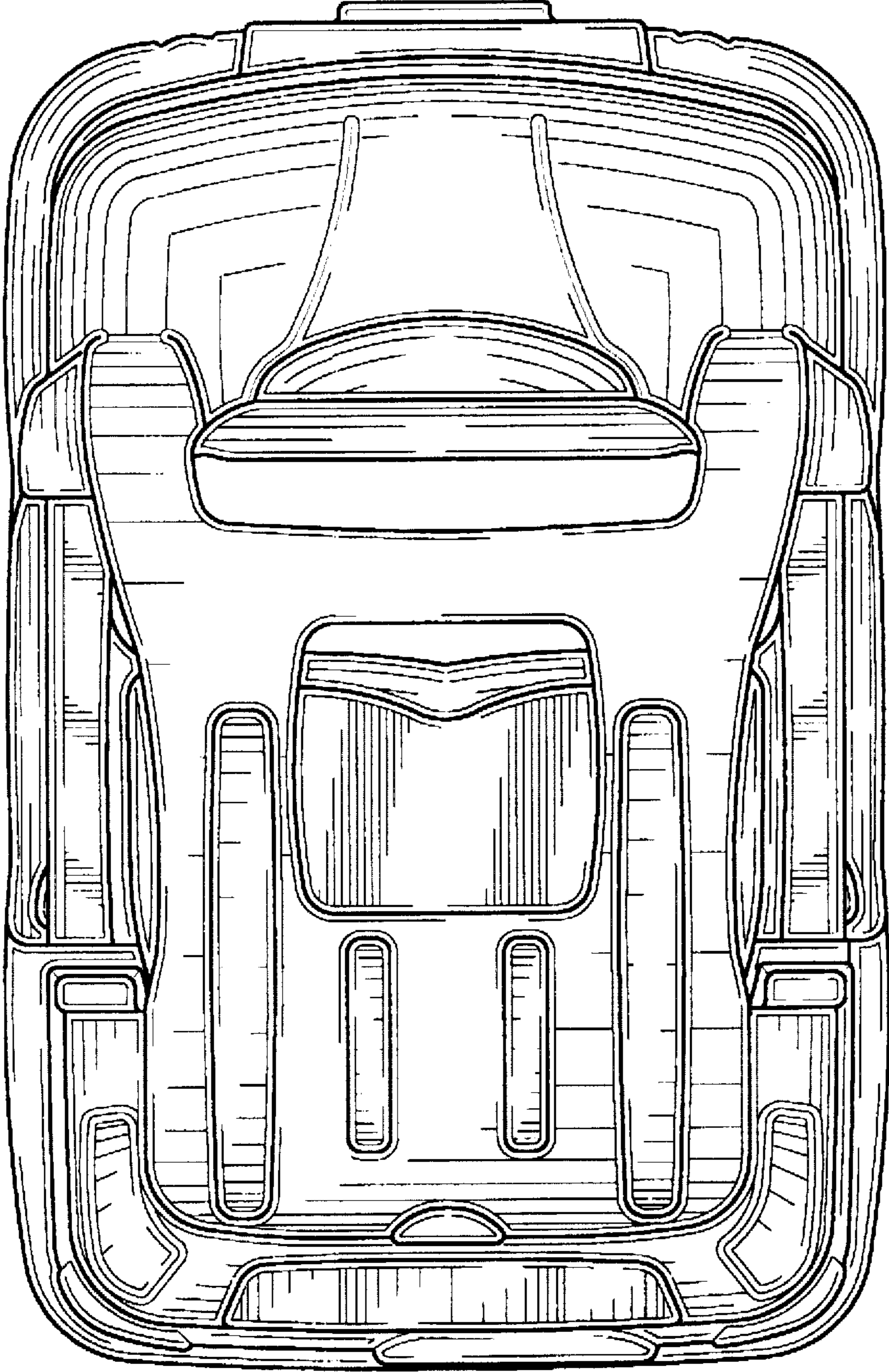


FIG. 4

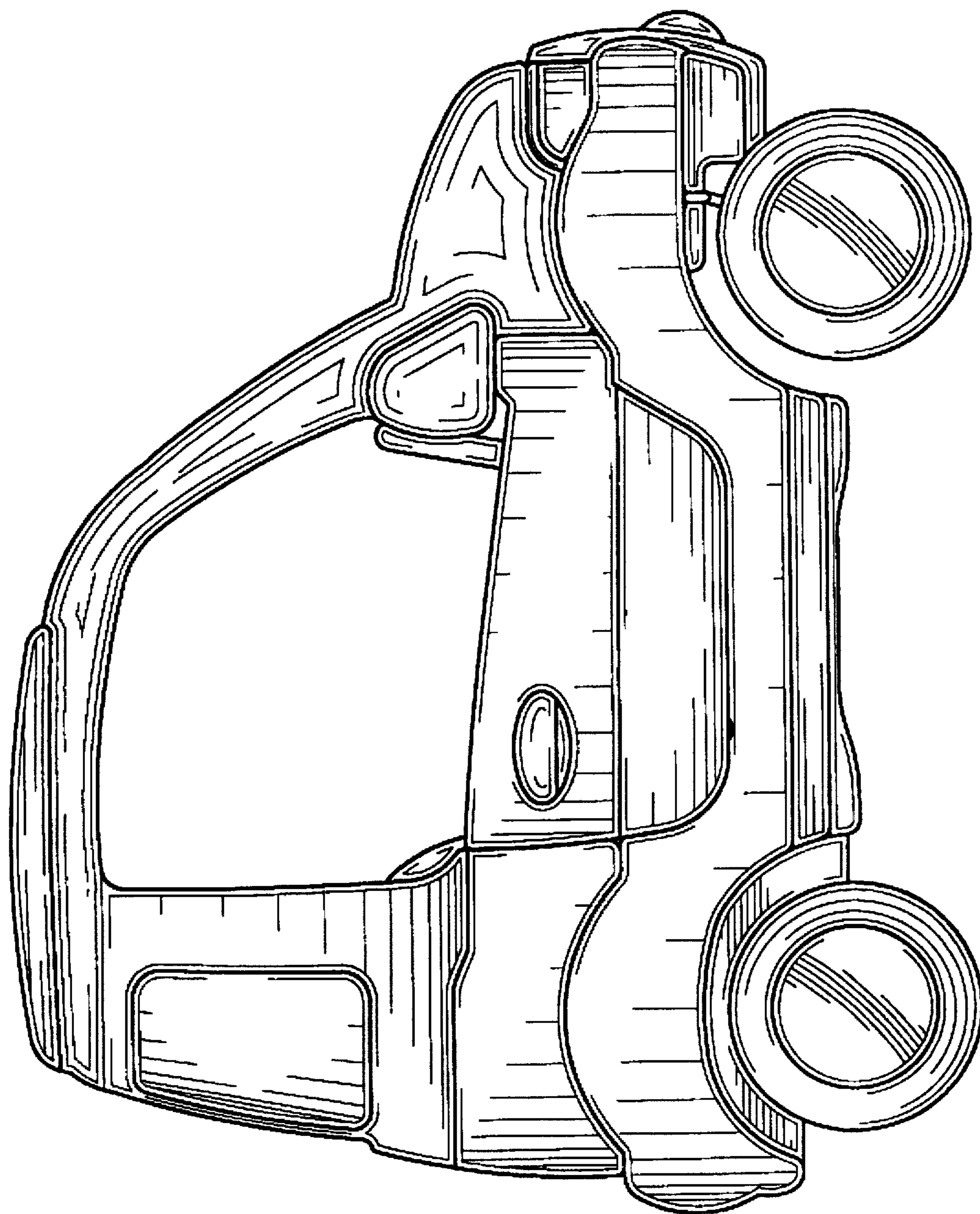


FIG. 5