

US00D388131S

United States Patent [19] Snyder

[11] Patent Number: **Des. 388,131**

[45] Date of Patent: ****Dec. 23, 1997**

[54] **ALL TERRAIN RIDING VEHICLE**

[76] Inventor: **Ronald M. Snyder, 5607 Aven Rd., Marietta, Ga. 30068**

[**] Term: **14 Years**

[21] Appl. No.: **63,825**

[22] Filed: **Dec. 16, 1996**

[51] LOC (6) Cl. **12-14**

[52] U.S. Cl. **D21/71; D12/7; D21/227**

[58] Field of Search **D12/1, 7; D21/227-228, D21/71, 224; 280/87.01**

[56] **References Cited**

U.S. PATENT DOCUMENTS

D. 103,419	3/1937	Birkhead	D21/71
D. 169,038	3/1953	Hall	D21/71
D. 242,735	12/1976	Candler	D21/227
D. 279,920	7/1985	Gardinier	D21/227
D. 332,977	2/1993	Huffman	D21/71

D. 343,424	1/1994	Lamb	D21/71
D. 378,693	4/1997	Margaritis	D21/236
4,134,599	1/1979	DiMille	280/87.01
5,354,081	10/1994	Huffman	280/87.01

Primary Examiner—Nelson C. Holtje
Attorney, Agent, or Firm—Rodgers & Rodgers

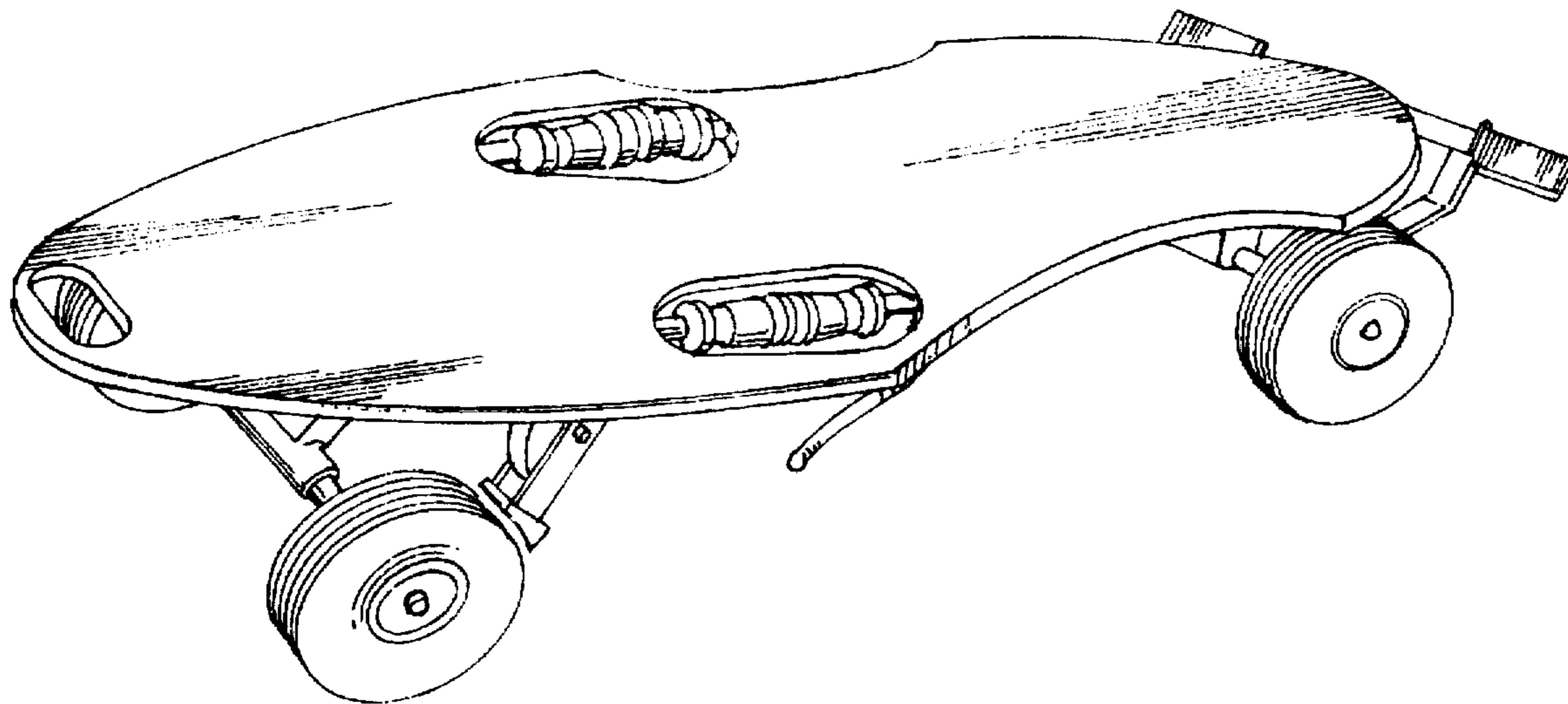
[57] **CLAIM**

The ornamental design for an all terrain riding vehicle, as shown and described.

DESCRIPTION

FIG. 1 is a perspective view of an all terrain riding vehicle showing my new design;
FIG. 2 is a top plan view thereof;
FIG. 3 is a front elevational view thereof, the rear being a mirror image thereof;
FIG. 4 is a bottom plan view thereof;
FIG. 5 is a right side elevational view thereof; and,
FIG. 6 is a left side elevational view thereof.

1 Claim, 2 Drawing Sheets



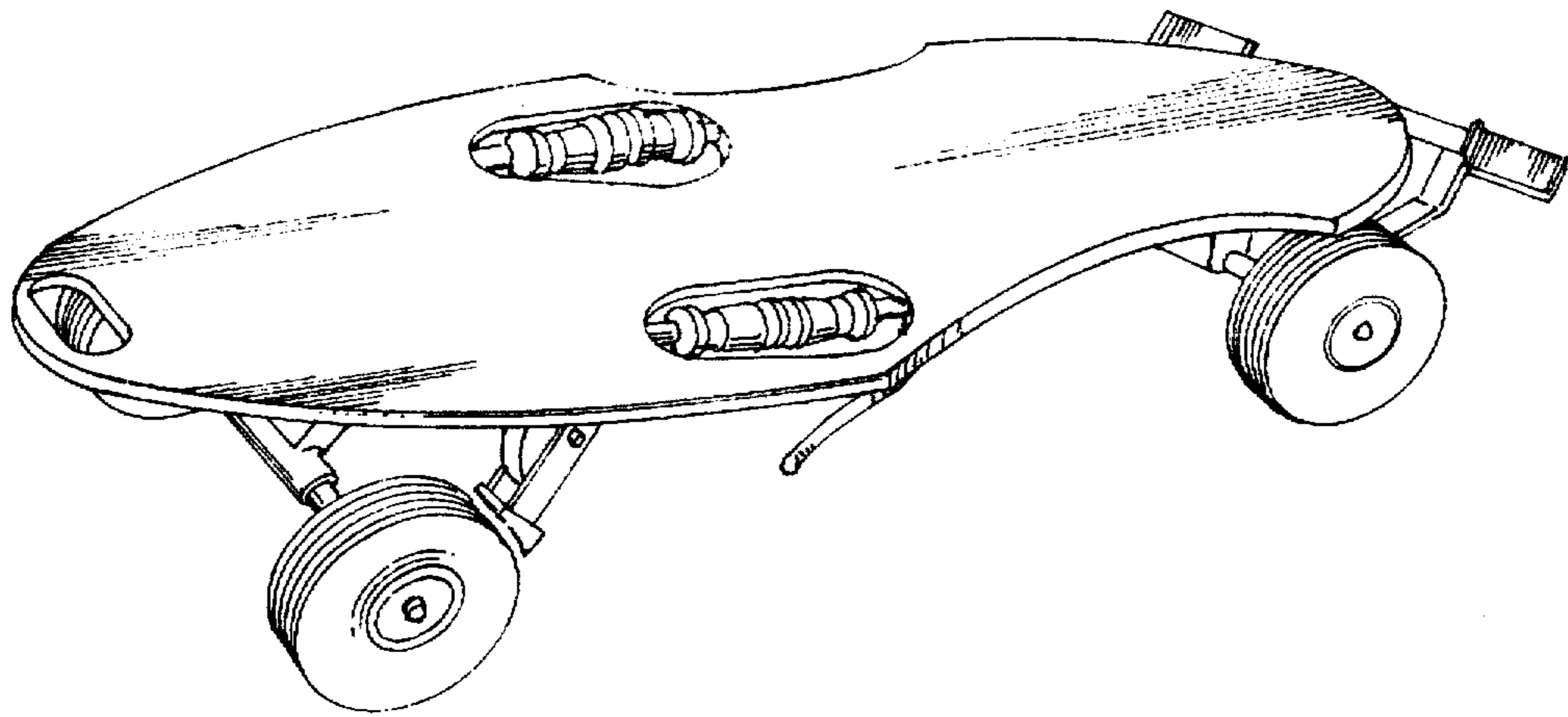


FIG. 1

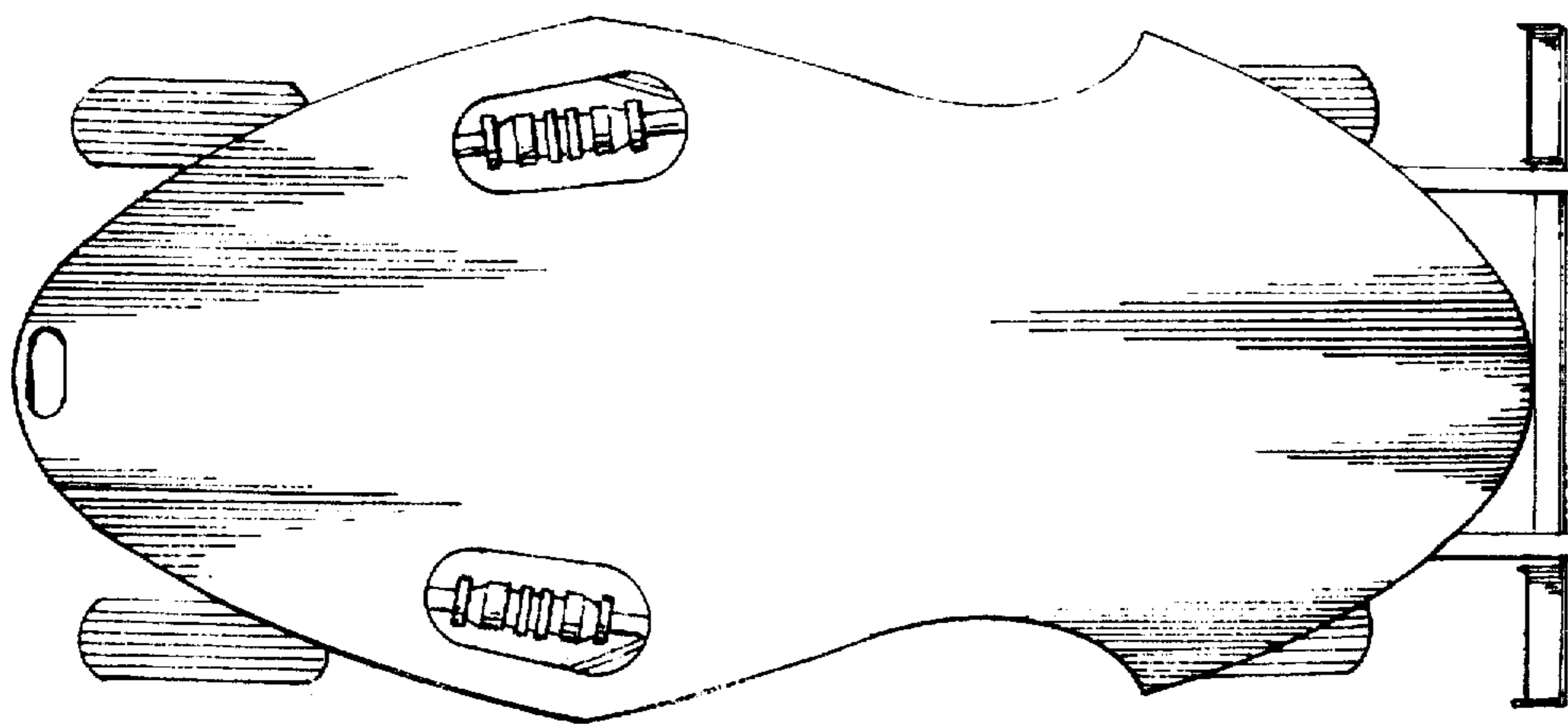


FIG. 2

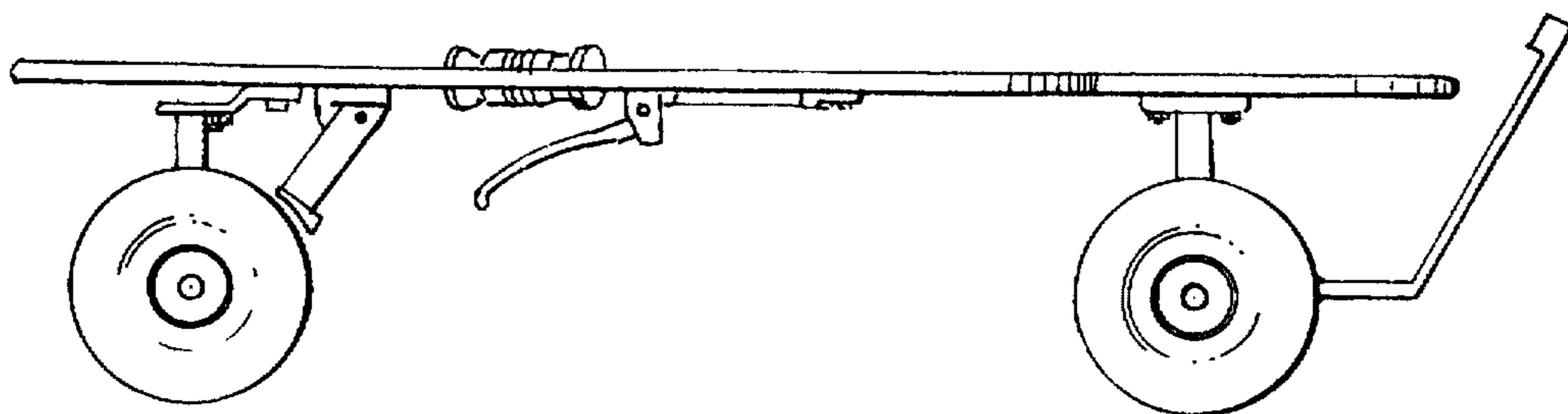


FIG. 3

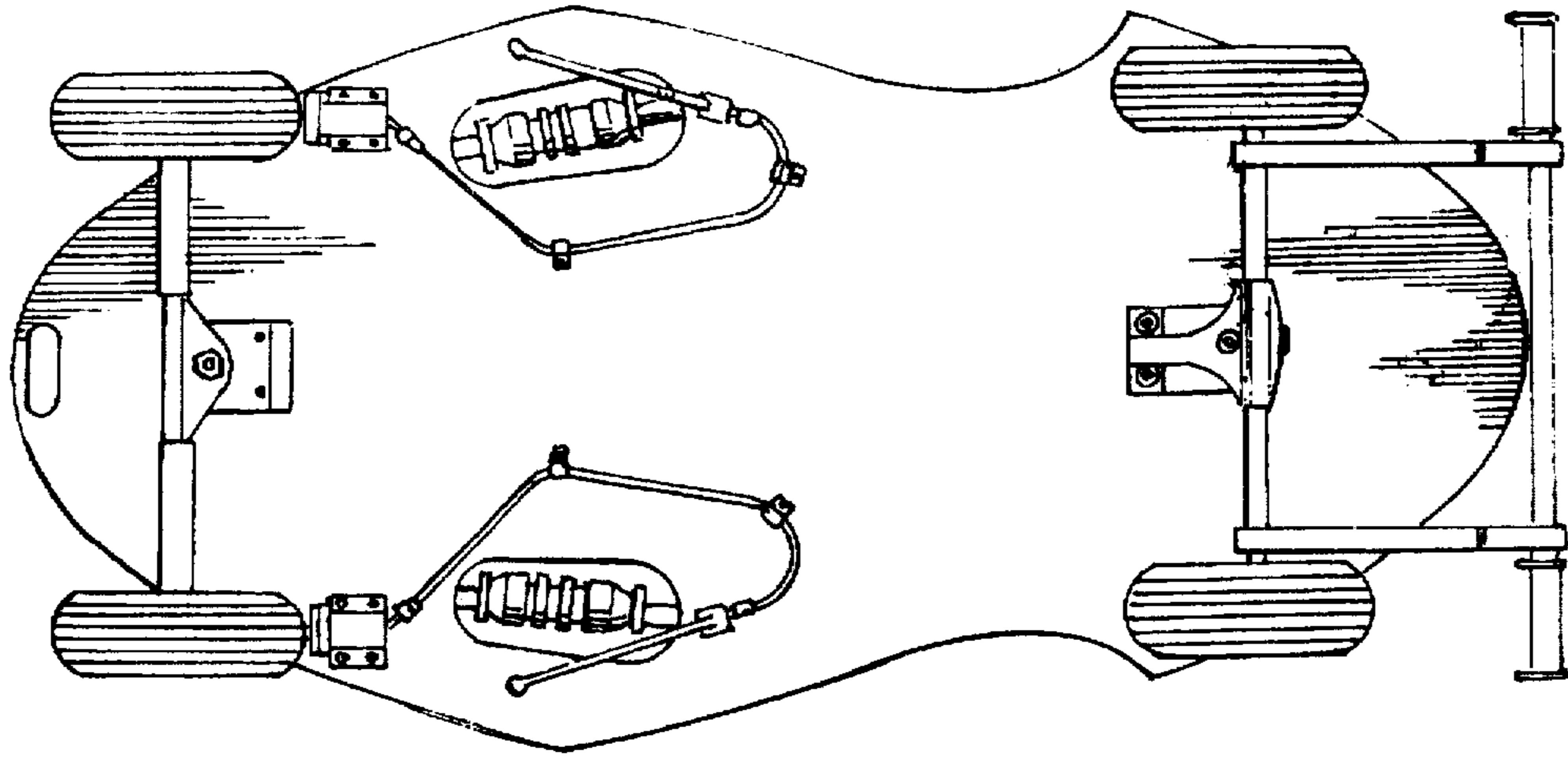


FIG. 4

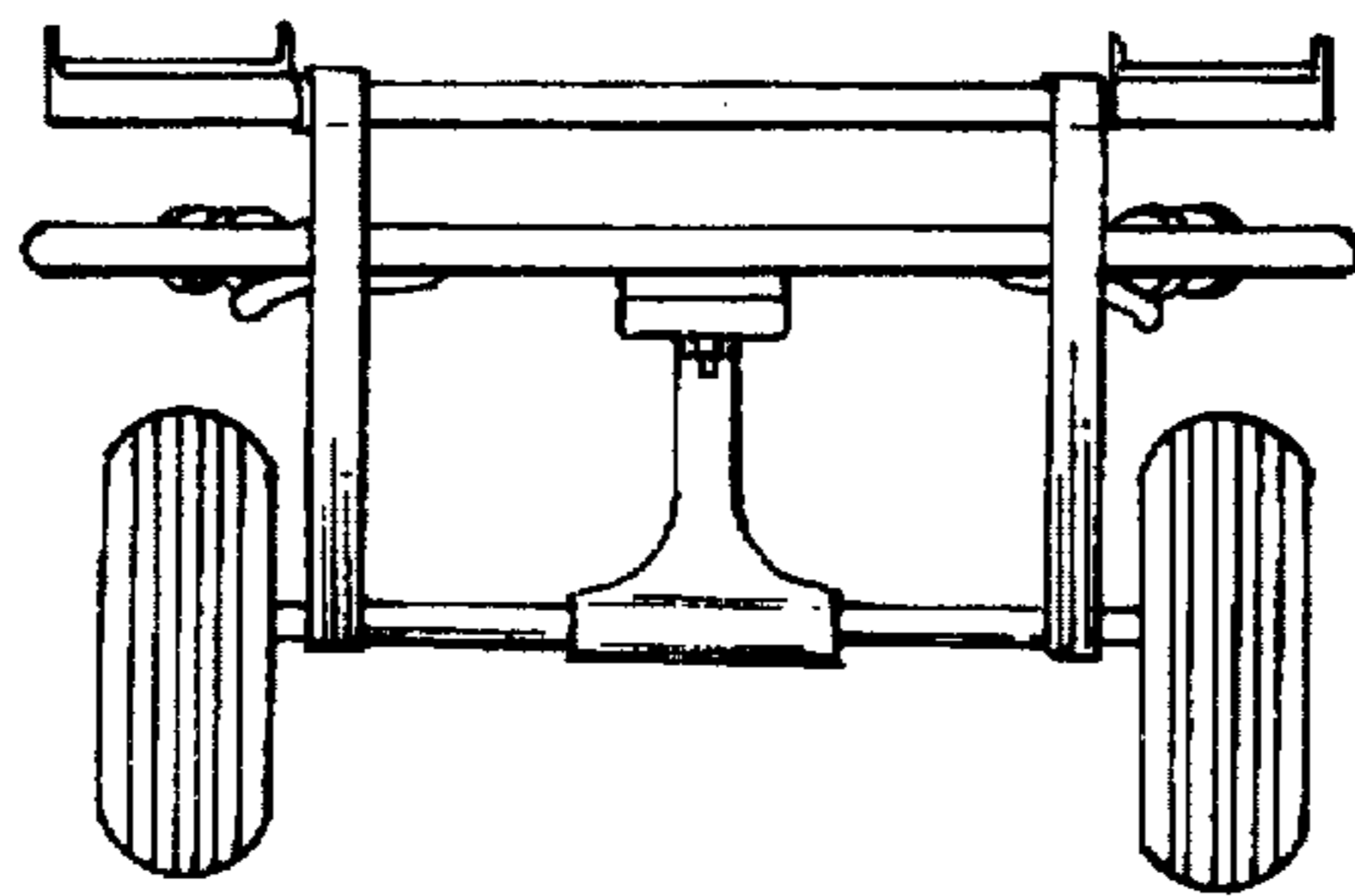


FIG. 5

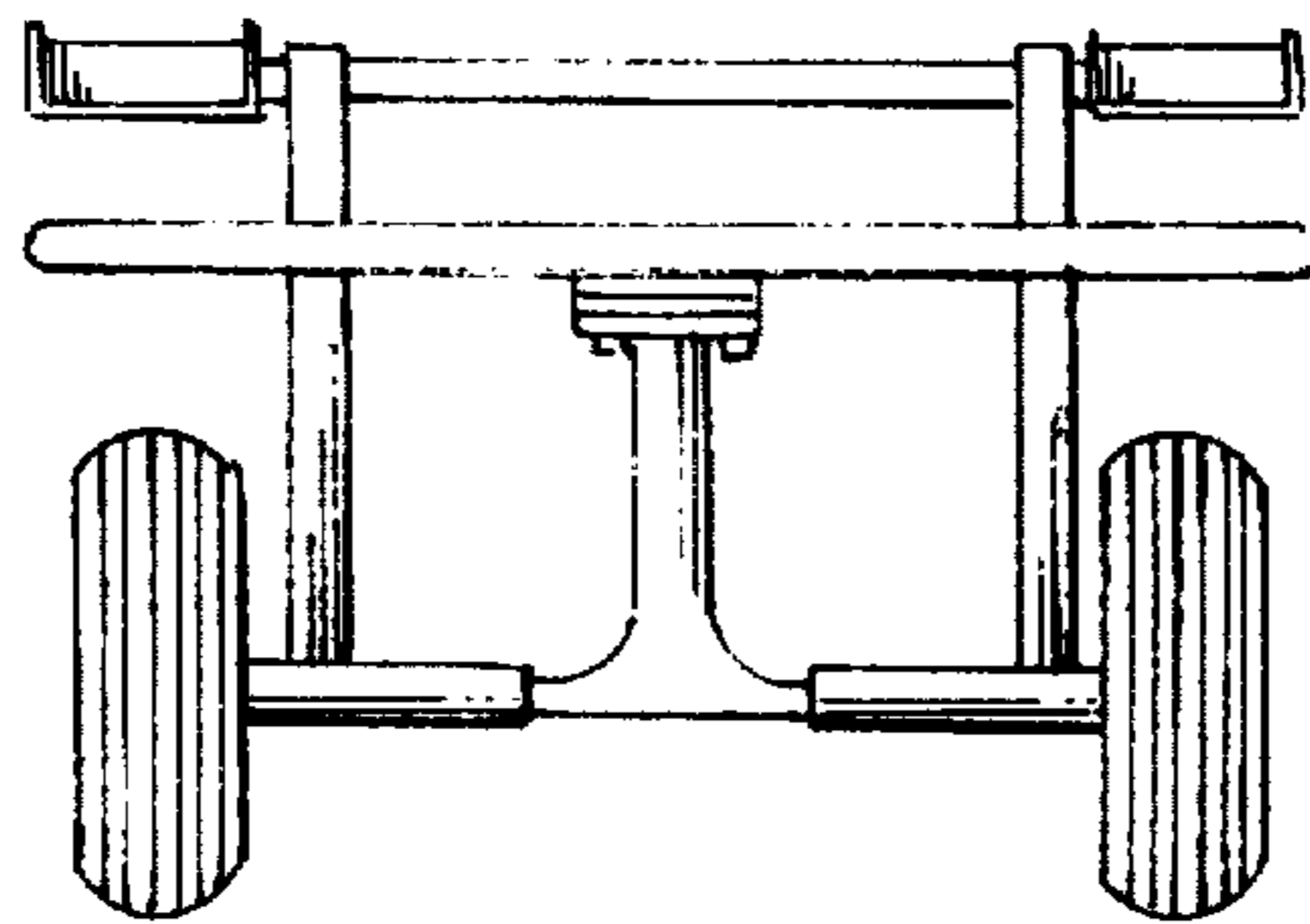


FIG. 6