

US00D388127S

# United States Patent [19] Cavallone, Sr.

[11] Patent Number: **Des. 388,127**  
[45] Date of Patent: **\*\*Dec. 23, 1997**

[54] **SKILL GAME**  
[76] Inventor: **Frank J. Cavallone, Sr.**, 8332 Dorado Bay Ct., Las Vegas, Nev. 89128-7169  
[\*\*] Term: **14 Years**  
[21] Appl. No.: **56,199**  
[22] Filed: **Jun. 25, 1996**  
[51] LOC (6) Cl. .... **21-01**  
[52] U.S. Cl. .... **D21/5**  
[58] Field of Search ..... D21/1, 2, 4, 5, D21/7, 11; 273/336, 338, 339, 348, 317, 357, 407, 424, 425, 427

D. 375,529 11/1996 Kohler ..... D21/5  
1,543,767 6/1925 Heggen ..... 273/336  
2,204,078 6/1940 Ferrary ..... 273/336  
4,982,966 1/1991 Teafatiller ..... 273/338

*Primary Examiner*—Prabhakar G. Deshmukh  
*Attorney, Agent, or Firm*—Harpman & Harpman

### [57] CLAIM

The ornamental design for a skill game, as shown and described.

### DESCRIPTION

FIG. 1 is a front, top and side perspective view of the skill game embodying the design of the present invention; FIG. 2 is a front elevational view thereof; FIG. 3 is a rear elevational view thereof; FIG. 4 is a side elevational view thereof, the opposite side elevational view being identical thereto; FIG. 5 is a top plan view thereof; and, FIG. 6 is a bottom plan view thereof.

### [56] References Cited

#### U.S. PATENT DOCUMENTS

D. 301,899 6/1989 Cook ..... D21/5  
D. 329,666 9/1992 Dougherty ..... D21/5  
D. 341,382 11/1993 Deming et al. .... D21/5  
D. 369,188 4/1996 Briggs ..... D21/5 X

**1 Claim, 5 Drawing Sheets**

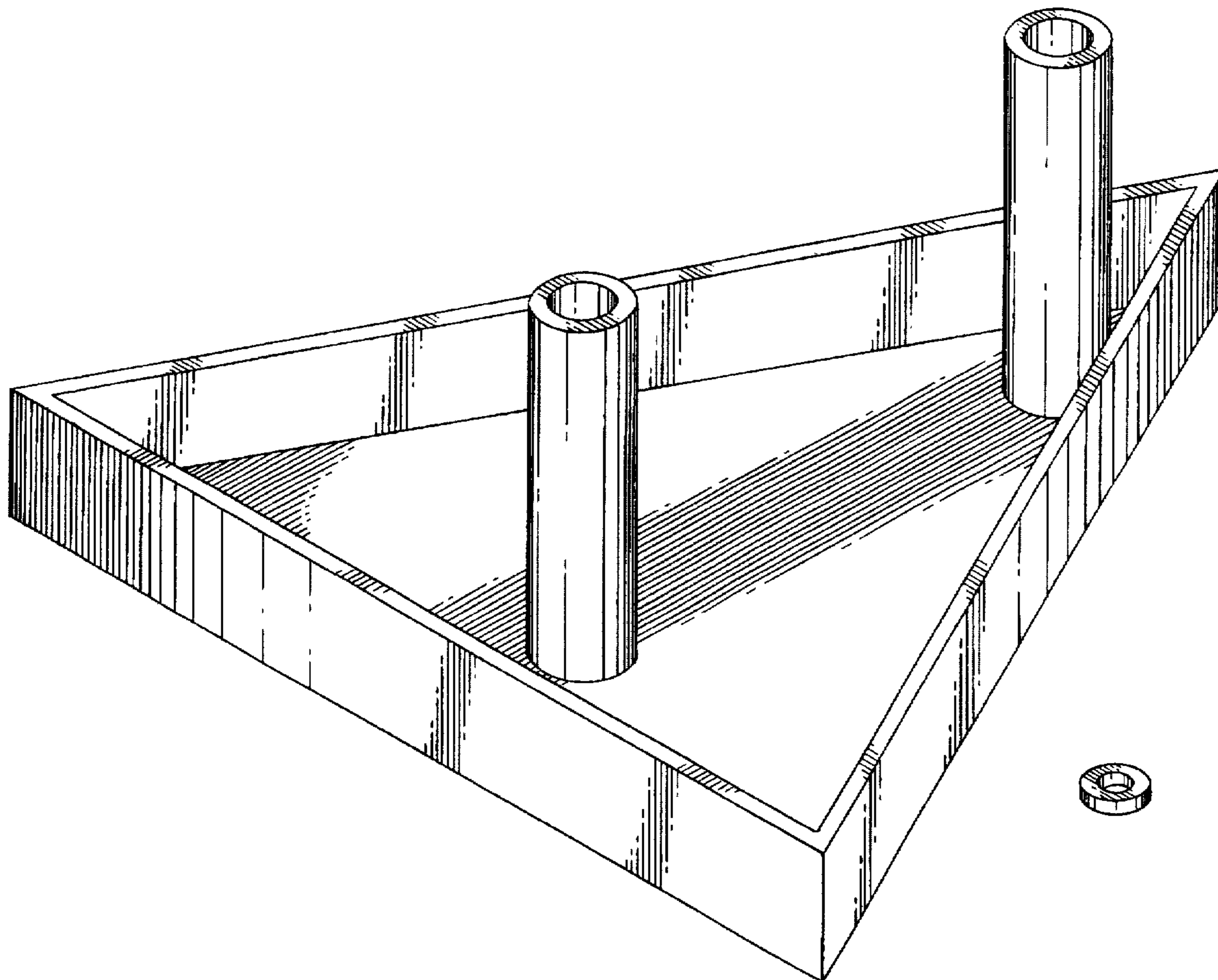


FIG. 1

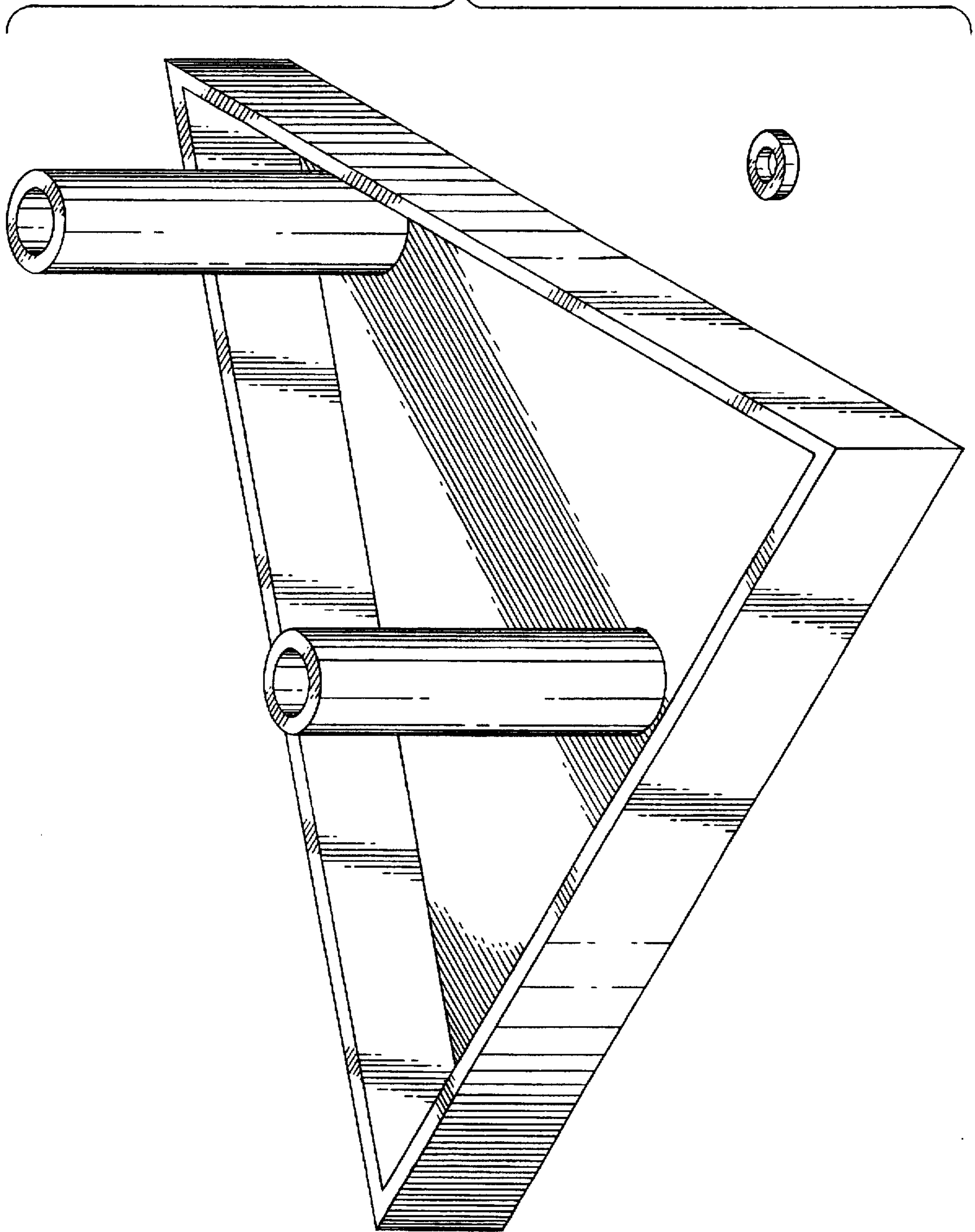


FIG. 2

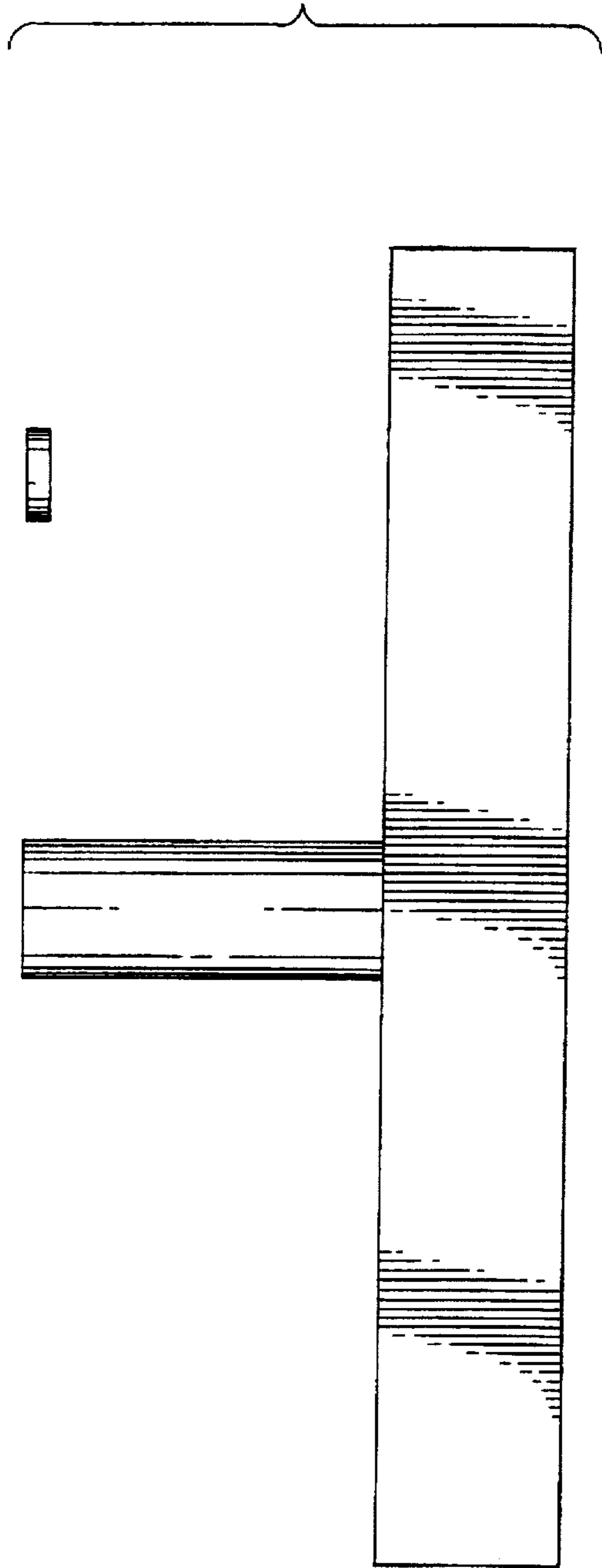


FIG. 3

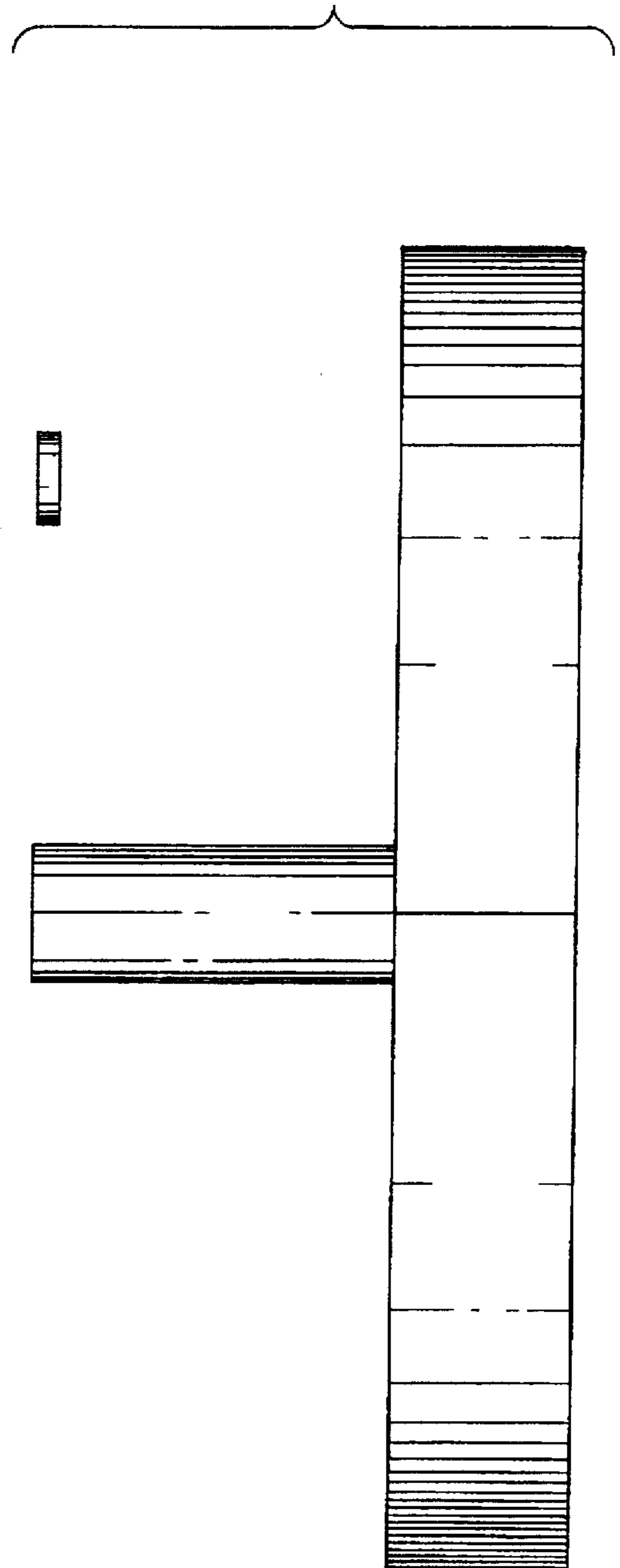


FIG. 4

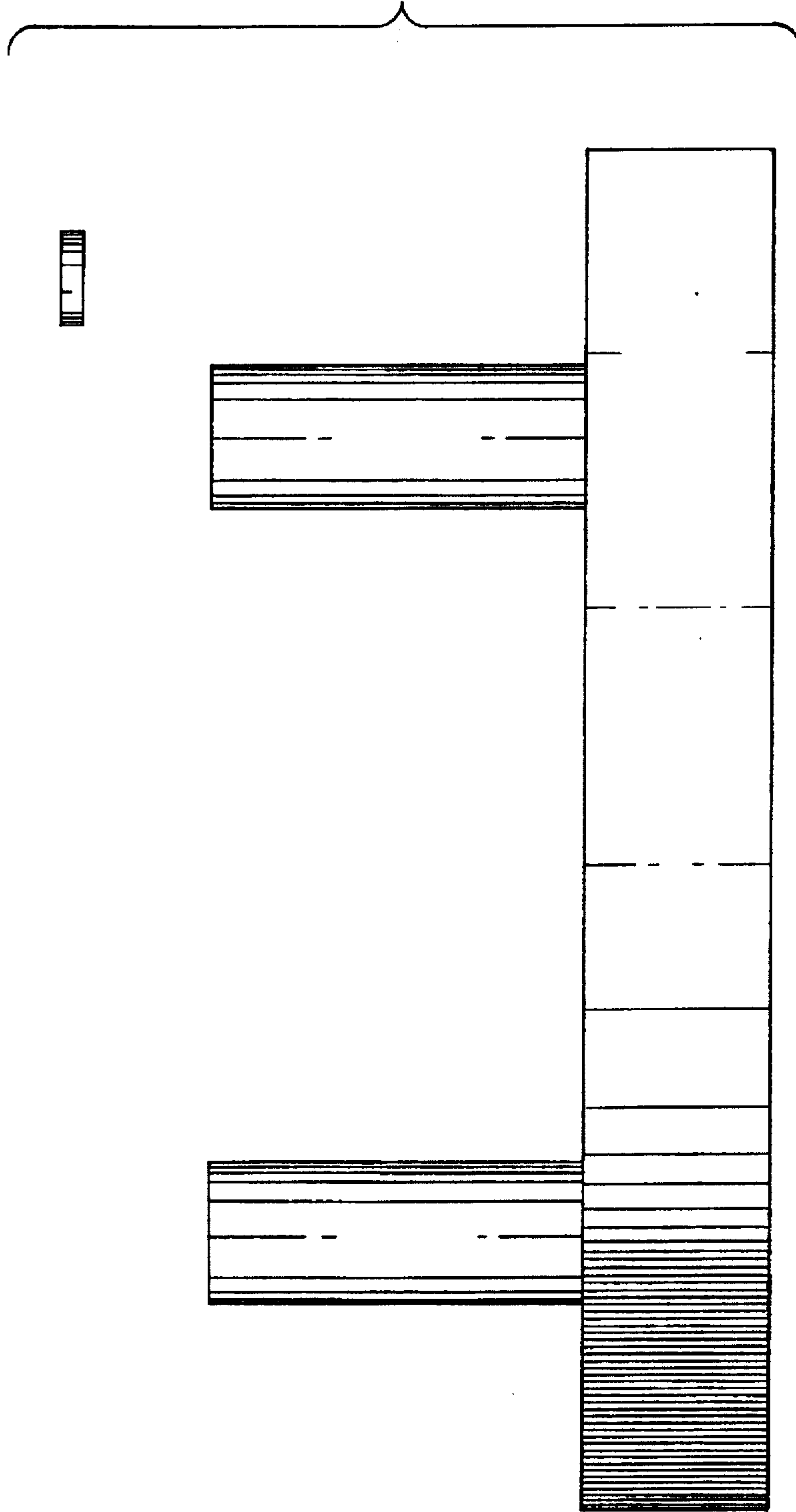


FIG. 5

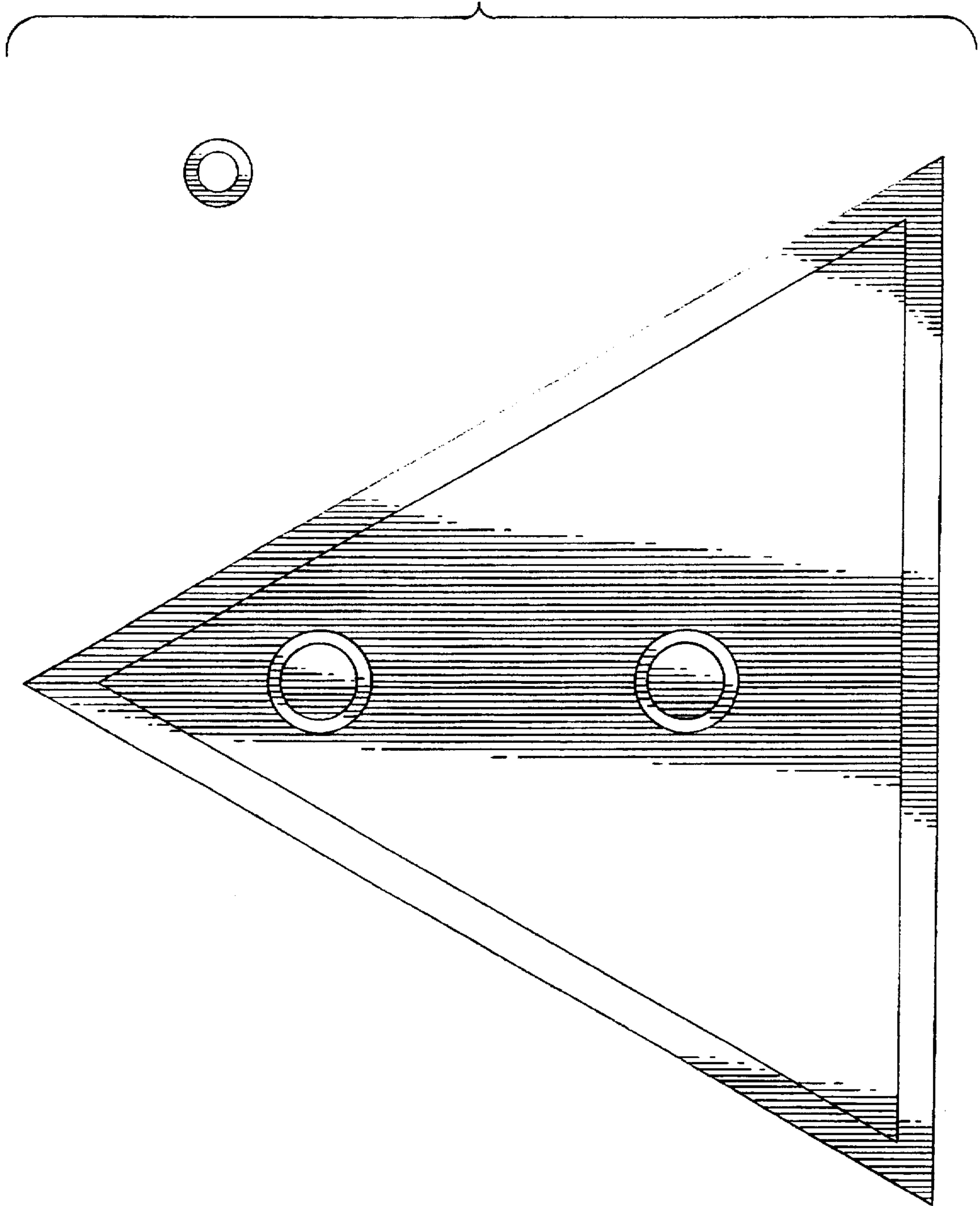


FIG 6

