

US00D388120S

United States Patent [19]

Chow et al.

[11] Patent Number: **Des. 388,120**

[45] Date of Patent: ****Dec. 23, 1997**

[54] **ELECTRONIC EDUCATIONAL GAME HOUSING**

[75] Inventors: **Chi K.W. Chow; Joan K.L. Chong; Maisy M.S. Wai**, all of New Territories, Hong Kong

[73] Assignee: **Vtech Industries, LLC.**, Wheeling, Ill.

[**] Term: **14 Years**

[21] Appl. No.: **52,812**

[22] Filed: **Apr. 9, 1996**

[51] LOC (6) Cl. **19-07**

[52] U.S. Cl. **D19/60; D21/13; D14/100**

[58] Field of Search **D19/60, 59, 62; D14/106, 115; D21/13, 64; 434/169, 185, 201, 307 R. 308**

[56] **References Cited**

U.S. PATENT DOCUMENTS

- D. 309,923 8/1990 Cheung D21/13
- D. 318,306 7/1991 Cheung D19/60 X
- D. 345,377 3/1994 Poon D19/60 X

- D. 362,870 10/1995 Oikawa D21/13
- D. 369,831 5/1996 Chow et al. D19/60
- D. 370,235 5/1996 Wood D19/60
- D. 370,498 6/1996 Kelly D19/60

Primary Examiner—Susan J. Lucas
Assistant Examiner—Pamela Burgess
Attorney, Agent, or Firm—Dick And Harris

[57] **CLAIM**

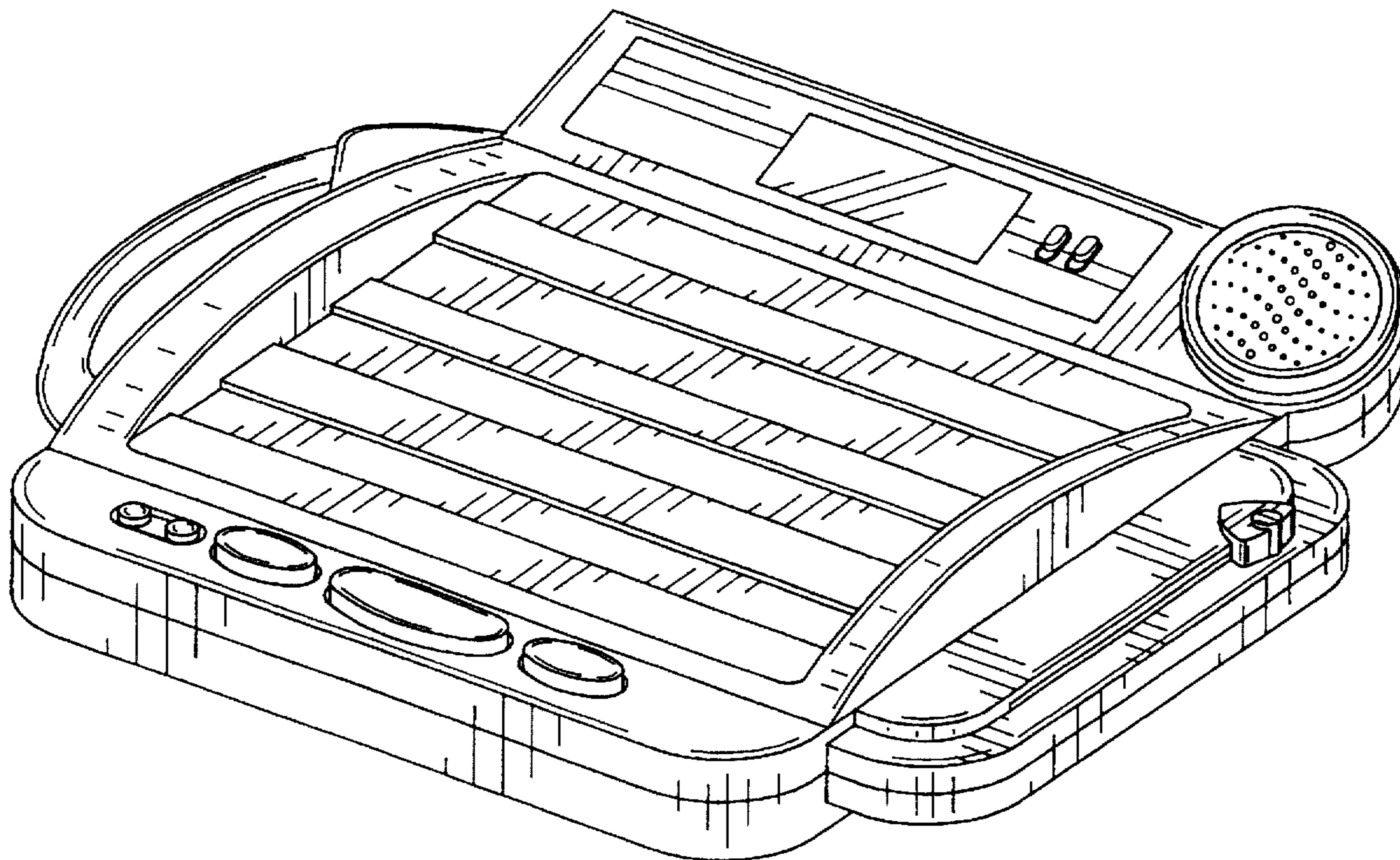
The ornamental design for an electronic educational game housing, as shown and described.

DESCRIPTION

FIG. 1 is a top perspective view showing the electronic educational game housing of our new ornamental design; FIG. 2 is a top plan view thereof; FIG. 3 is a bottom plan view thereof; FIG. 4 is a left side elevation thereof; FIG. 5 is a right side elevation thereof; FIG. 6 is a rear elevation thereof; and, FIG. 7 is a front elevation thereof.

The broken lines shown are for illustrative purposes only and form no part of the claimed design.

1 Claim, 5 Drawing Sheets



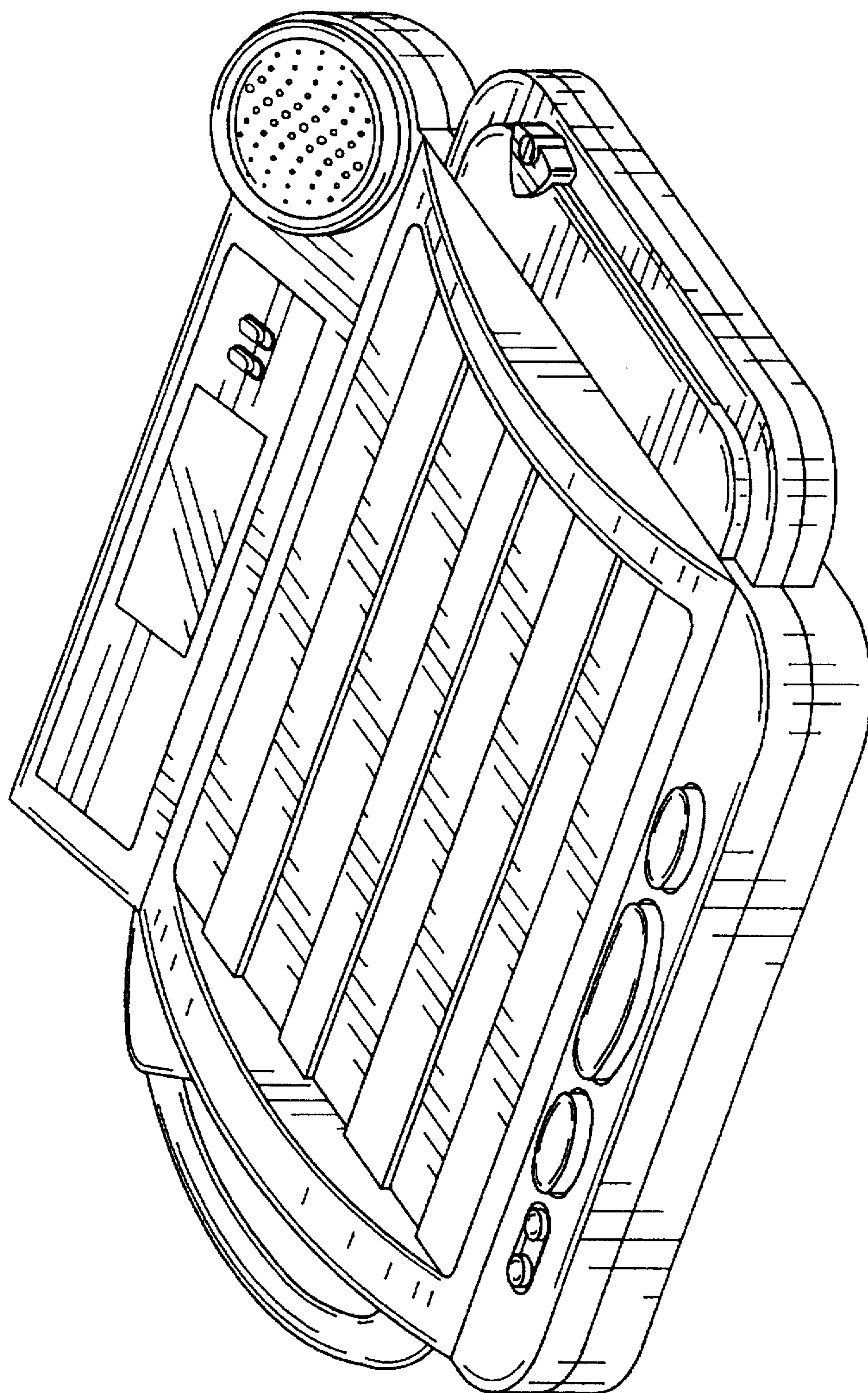


FIG. 1

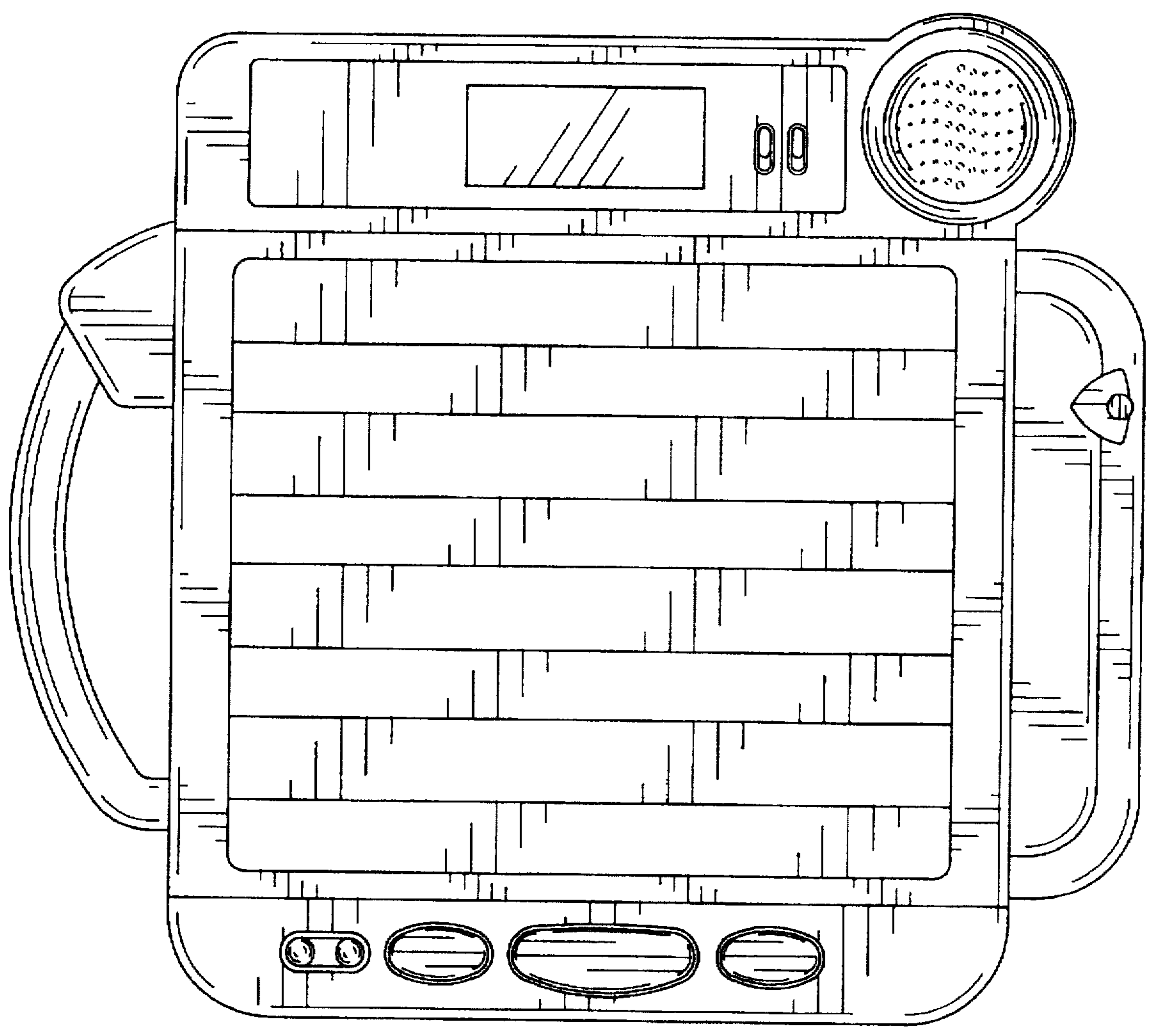


FIG. 2

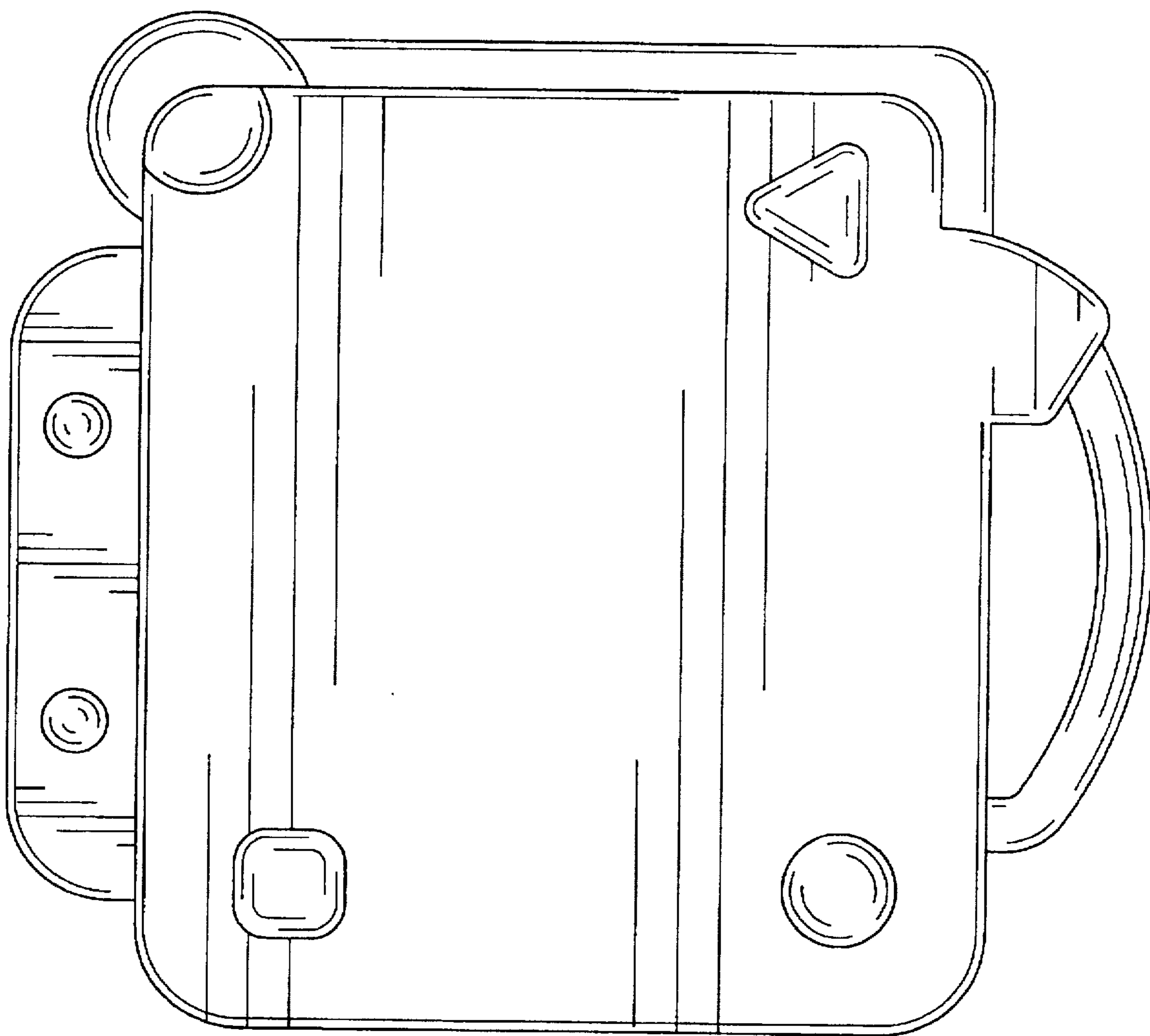


FIG. 3

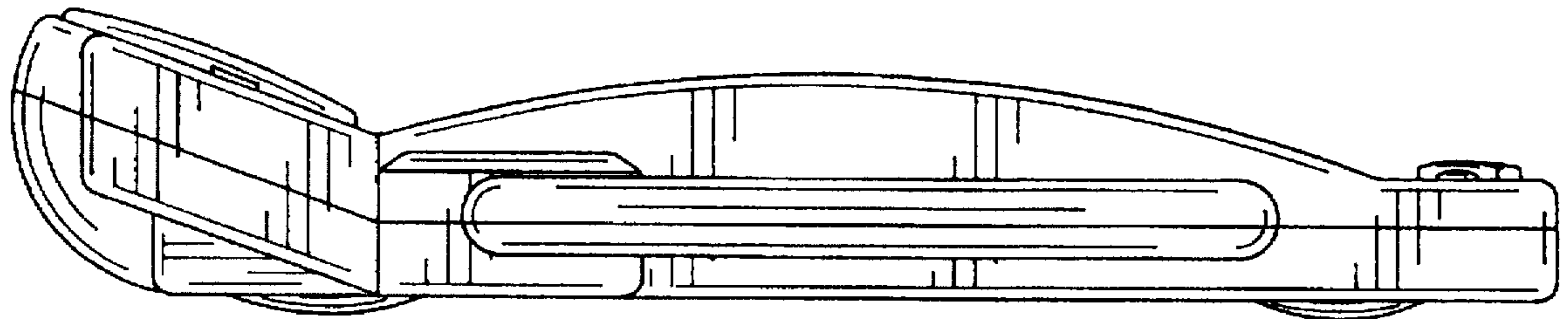


FIG. 4

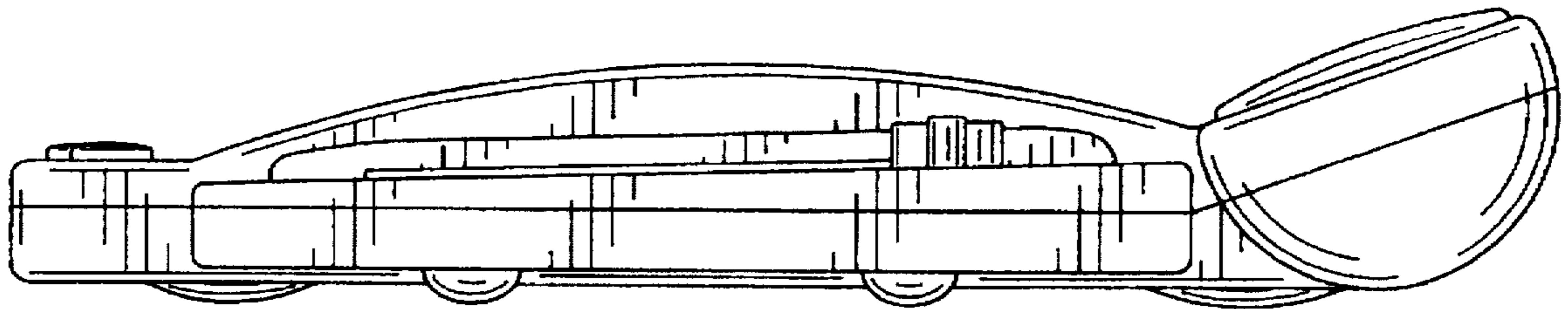


FIG. 5

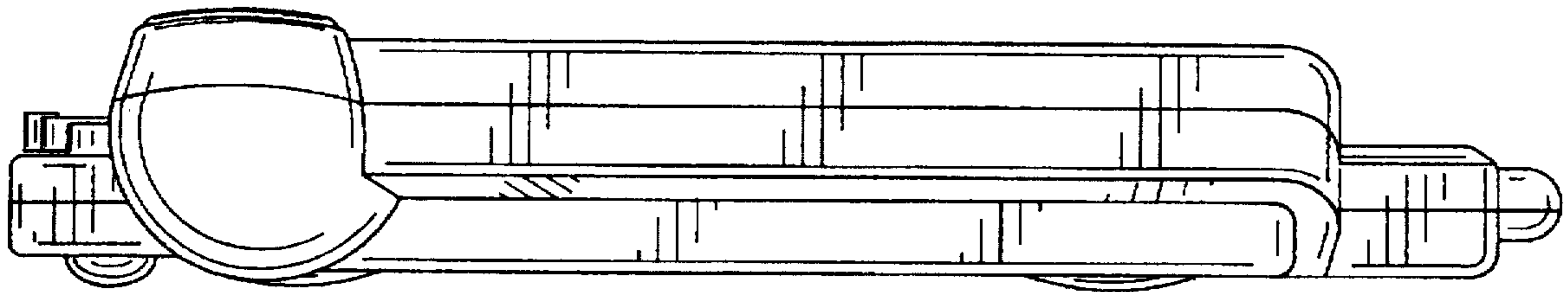


FIG. 6

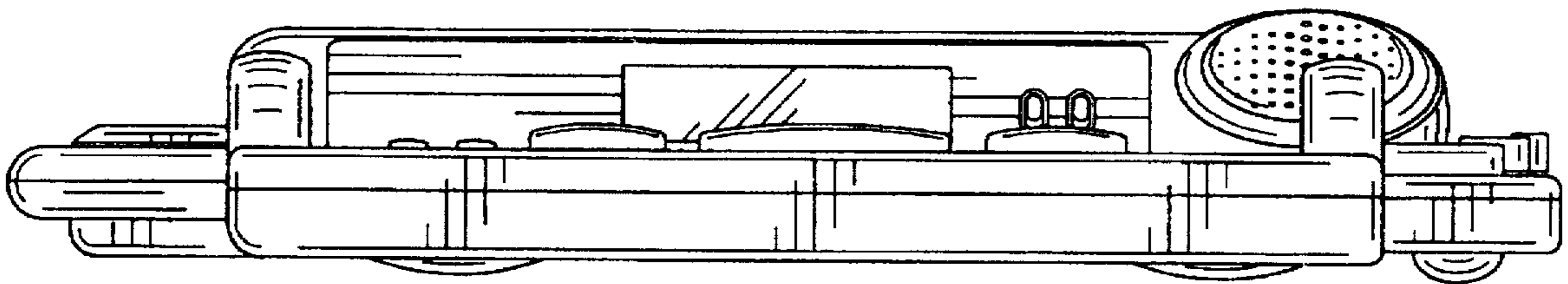


FIG. 7