



US00D388111S

United States Patent [19] Iida

[11] Patent Number: **Des. 388,111**
[45] Date of Patent: ****Dec. 23, 1997**

[54] **VIDEO PROJECTOR**

[75] Inventor: **Koichi Iida**, Tochigi-ken, Japan

[73] Assignee: **Sharp Kabushiki Kaisha**, Osaka, Japan

[**] Term: **14 Years**

[21] Appl. No.: **58,576**

[22] Filed: **Aug. 19, 1996**

[30] **Foreign Application Priority Data**

Feb. 19, 1996 [JP] Japan 8-4291

[51] LOC (6) Cl. **16-02**

[52] U.S. Cl. **D16/231; D16/221**

[58] Field of Search D16/200-205,
D16/208, 213, 221, 225, 230, 231, 234;
D21/110; 352/29, 34, 242, 243; 353/115,
119, 122

[56] **References Cited**

U.S. PATENT DOCUMENTS

D. 184,949 4/1959 Mackay D16/221
D. 343,850 2/1994 Saeki et al. D16/234
D. 356,103 3/1995 Saeki et al. D16/221
D. 364,416 11/1995 Saeki et al. D16/231
D. 365,587 12/1995 Saeki et al. D16/234

D. 371,148 6/1996 Kobayashi D16/221
D. 374,024 9/1996 Onoda D16/221
D. 379,190 5/1997 Takami et al. D16/234
3,269,793 8/1966 White, Jr. 352/29

OTHER PUBLICATIONS

National Audio Visual Supply Catalog, p. 74 (Savett "Medi-ashow XC Video Projector"), 1994.

Primary Examiner—Philip S. Hyder
Assistant Examiner—Adir Aronovich
Attorney, Agent, or Firm—Nixon & Vanderhye

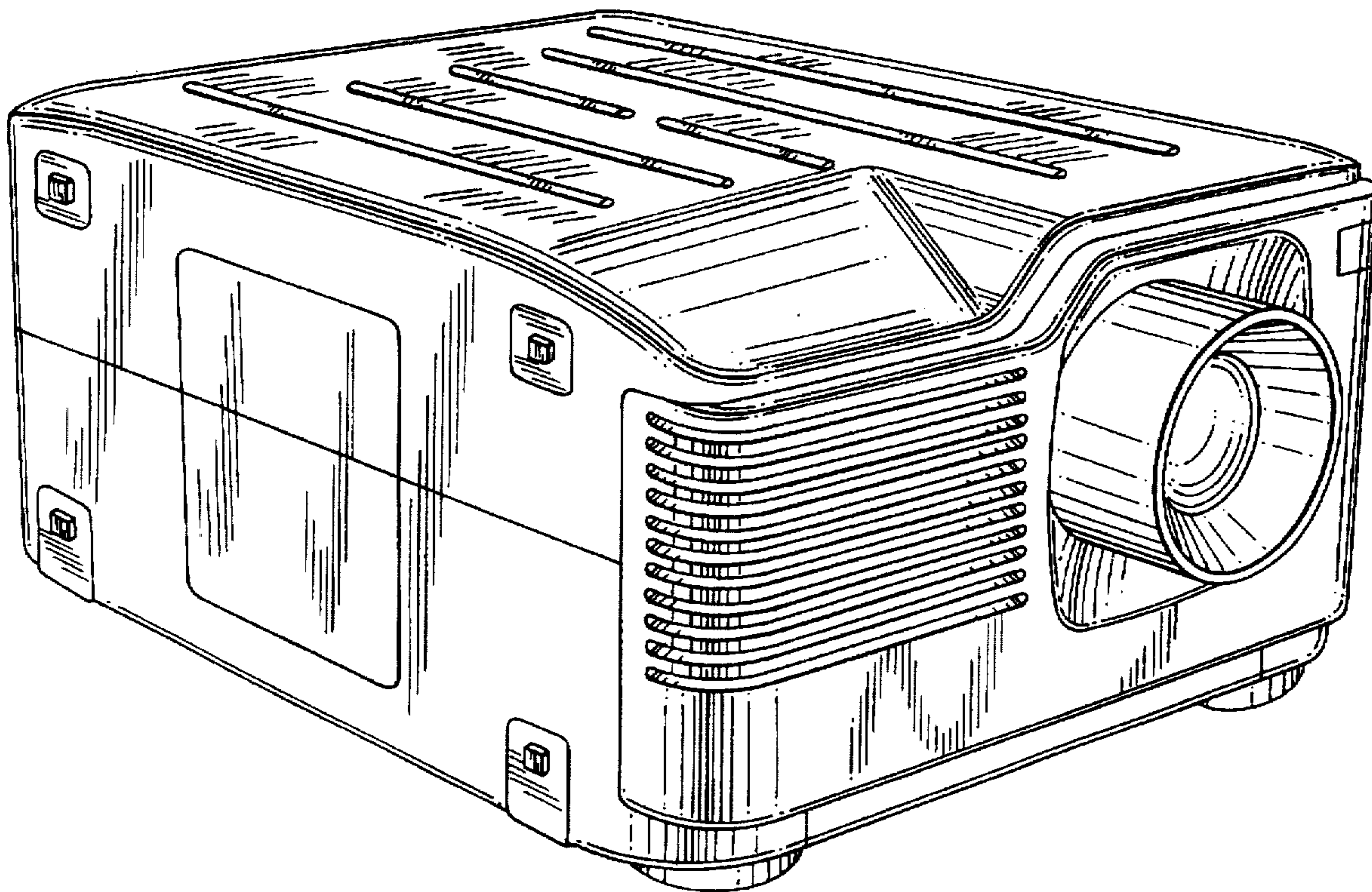
[57] **CLAIM**

The ornamental design for a video projector, as shown and described.

DESCRIPTION

FIG. 1 is a top, front and left side perspective view of a video projector according to my design;
FIG. 2 is a reduced front elevational view thereof;
FIG. 3 is a rear, elevational view thereof;
FIG. 4 is an enlarged top plan view thereof;
FIG. 5 is a bottom plan view thereof;
FIG. 6 is a right side, elevational view thereof; and
FIG. 7 is a left side, elevational view thereof.

1 Claim, 4 Drawing Sheets



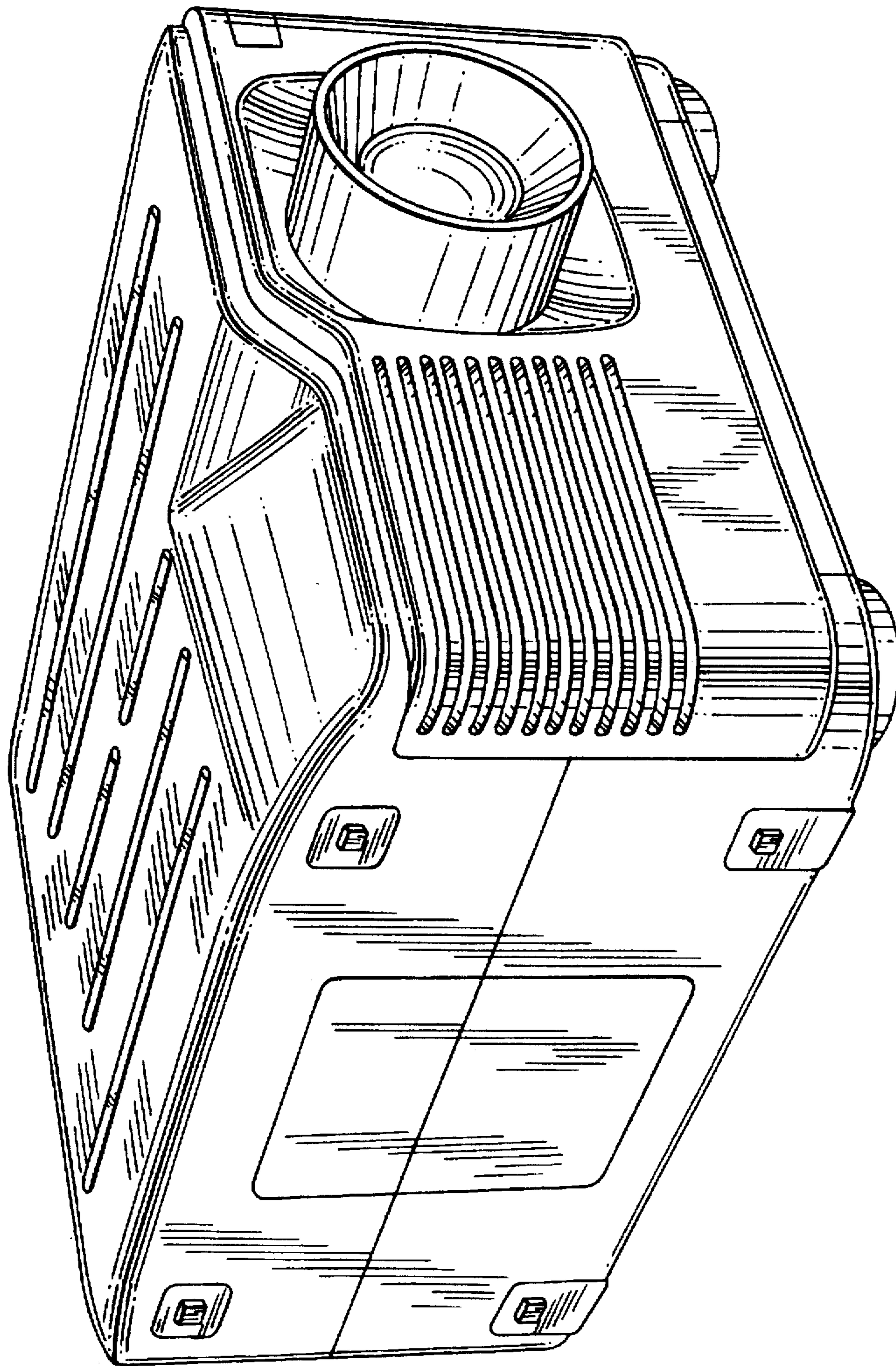


FIG. 1

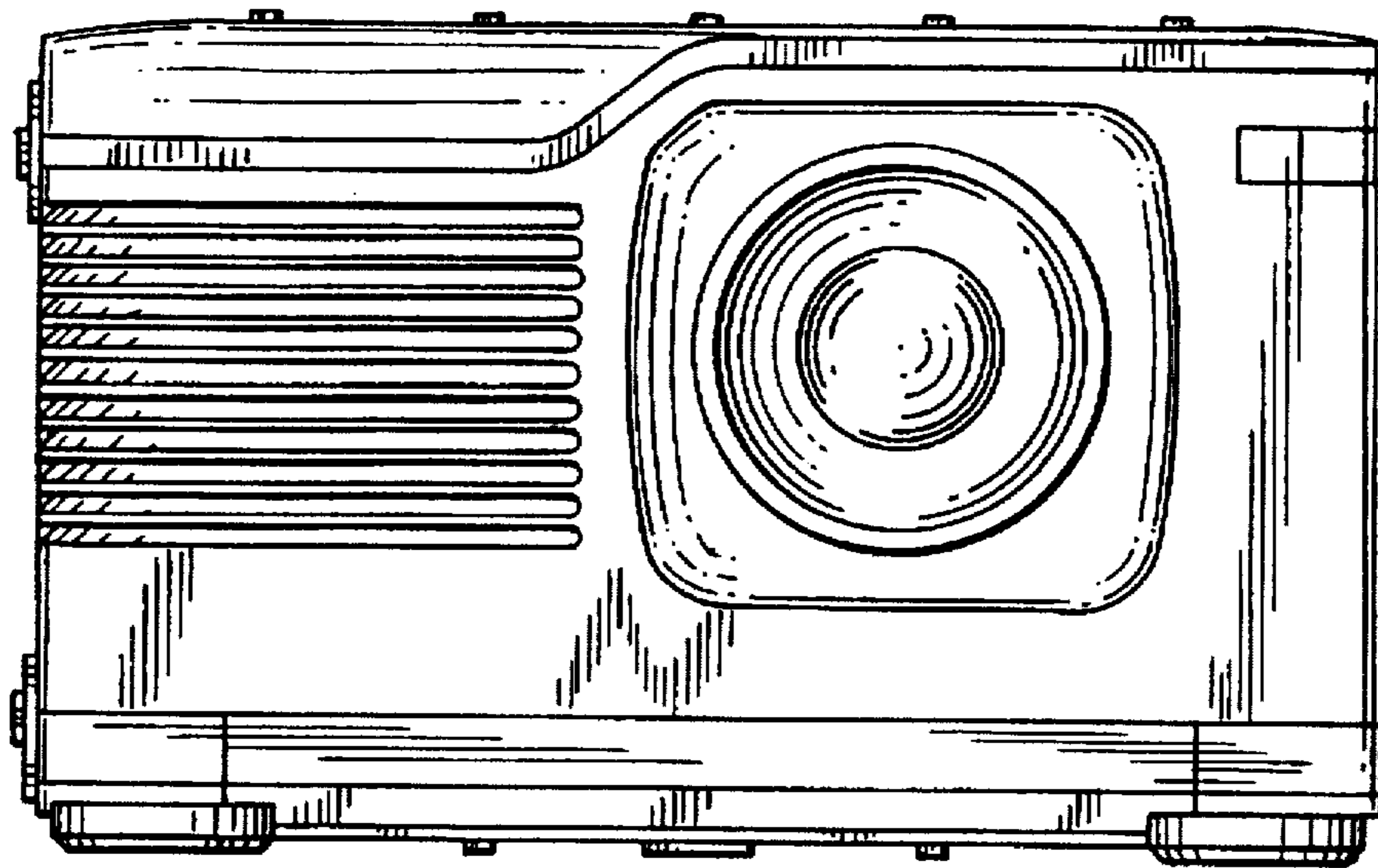


FIG. 2

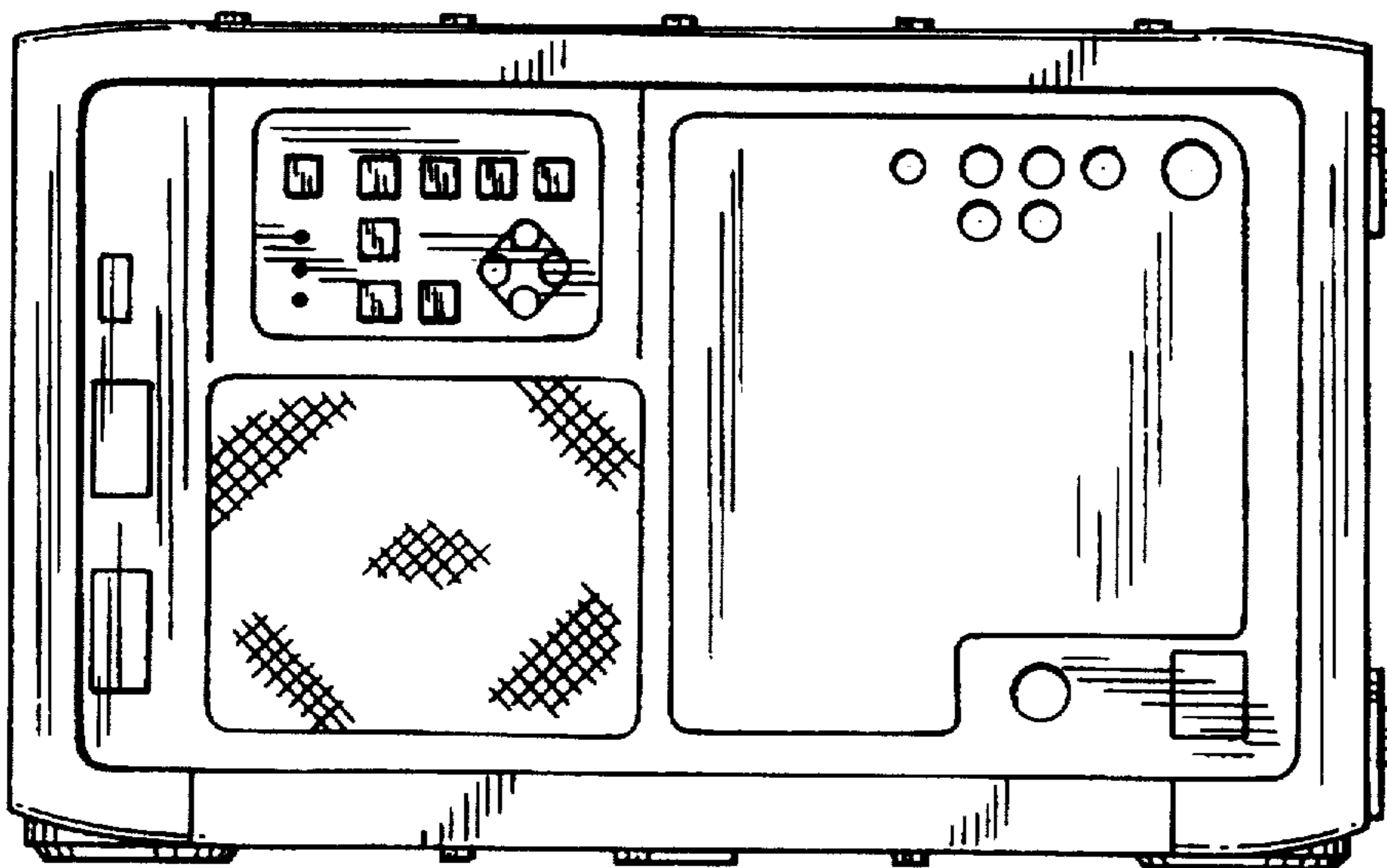


FIG. 3

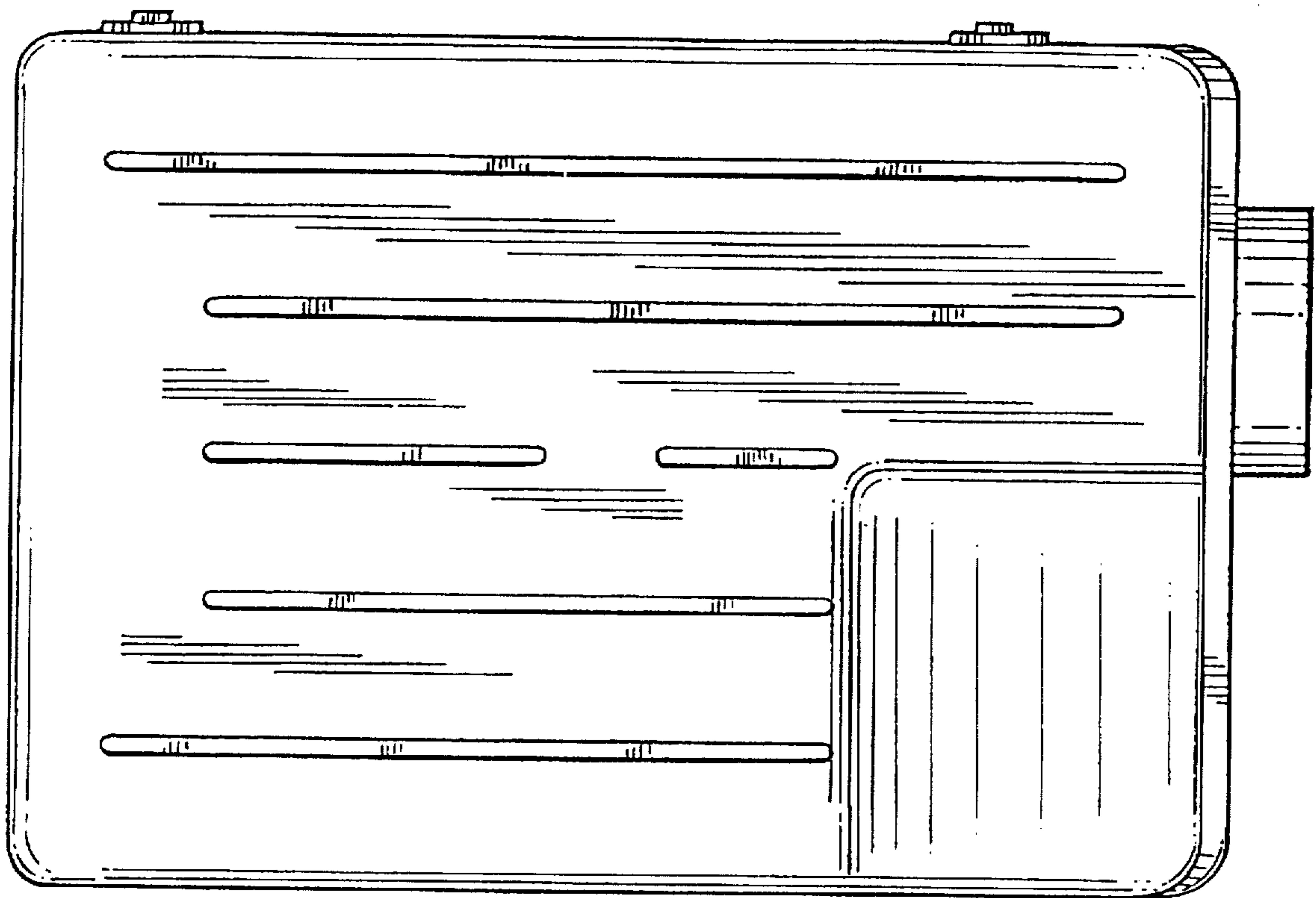


FIG. 4

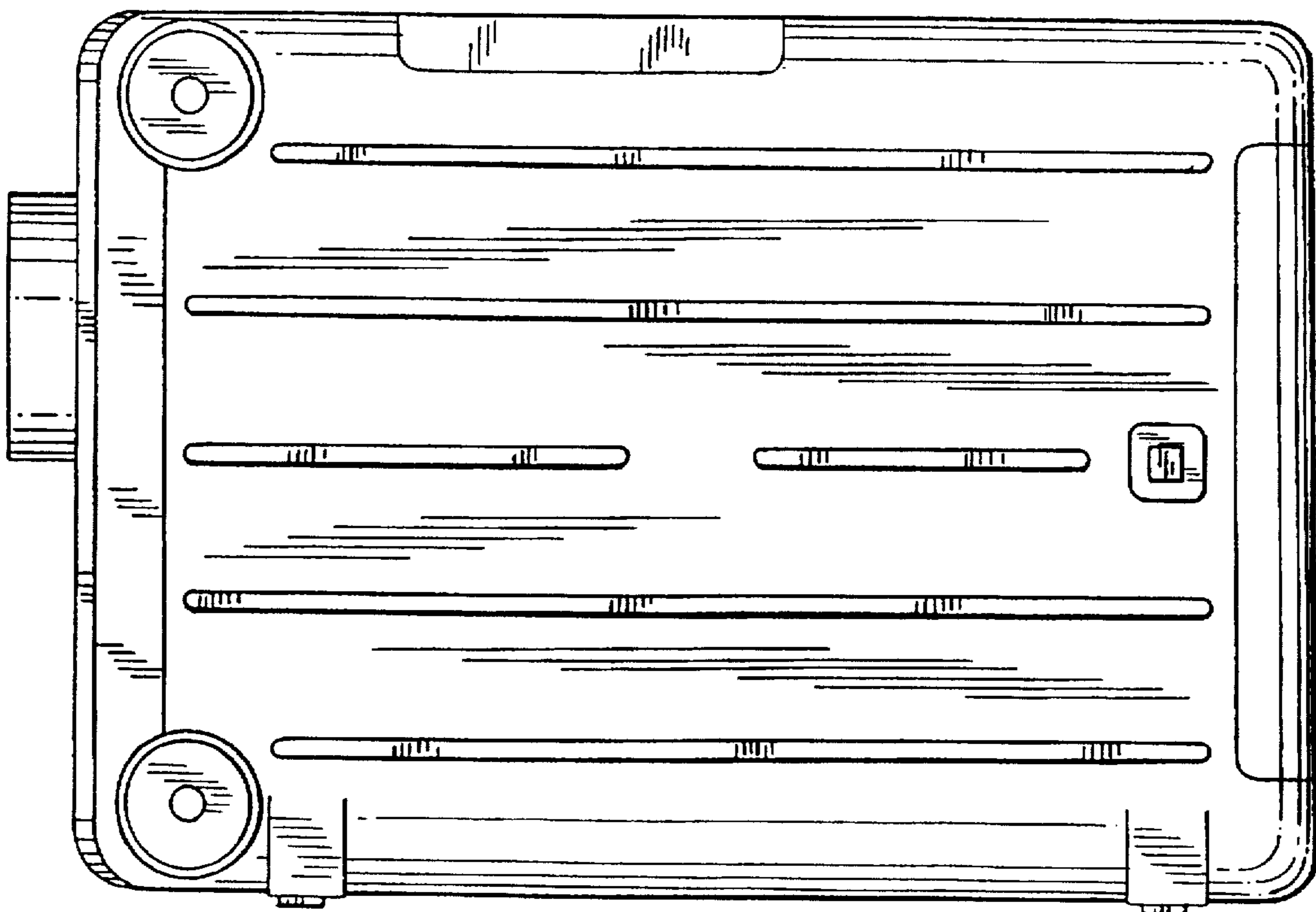


FIG. 5

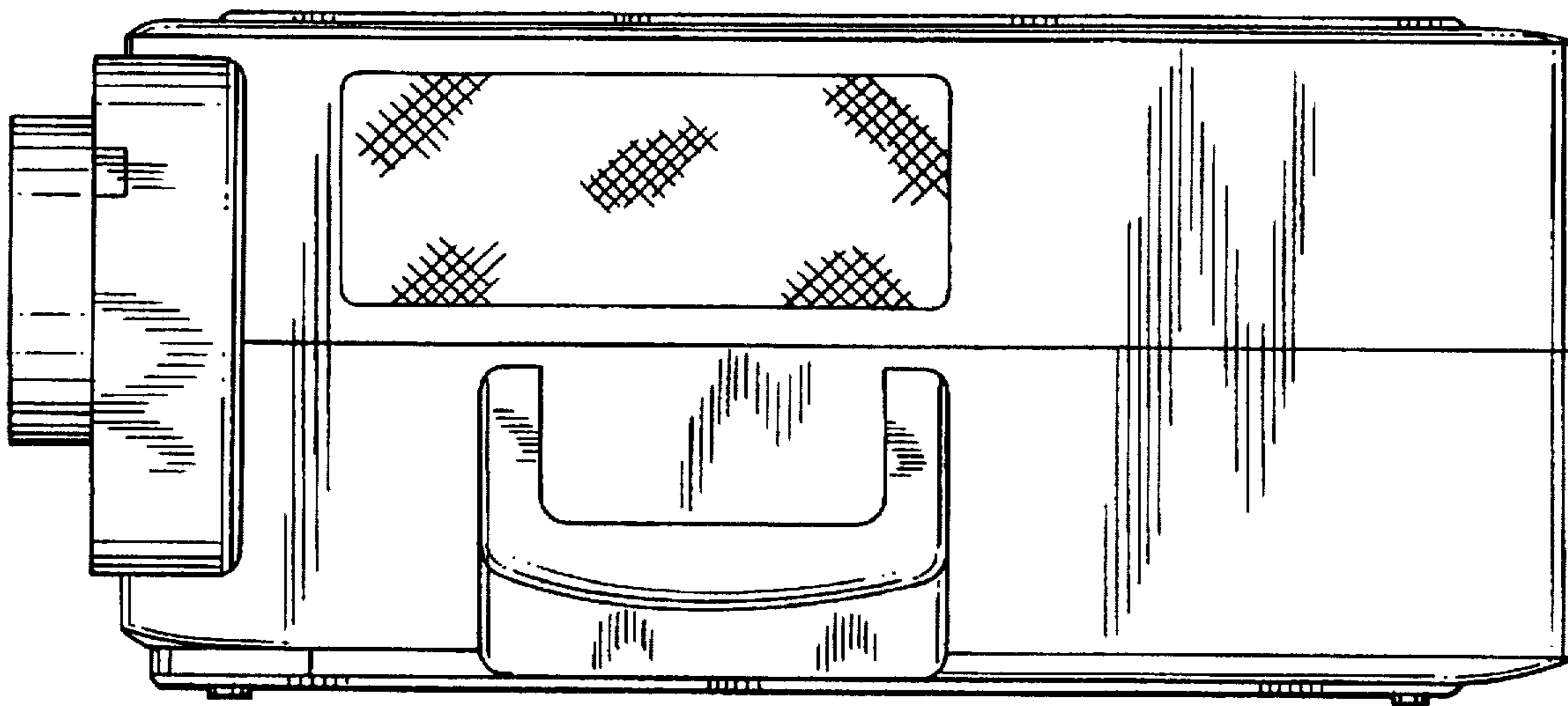


FIG. 6

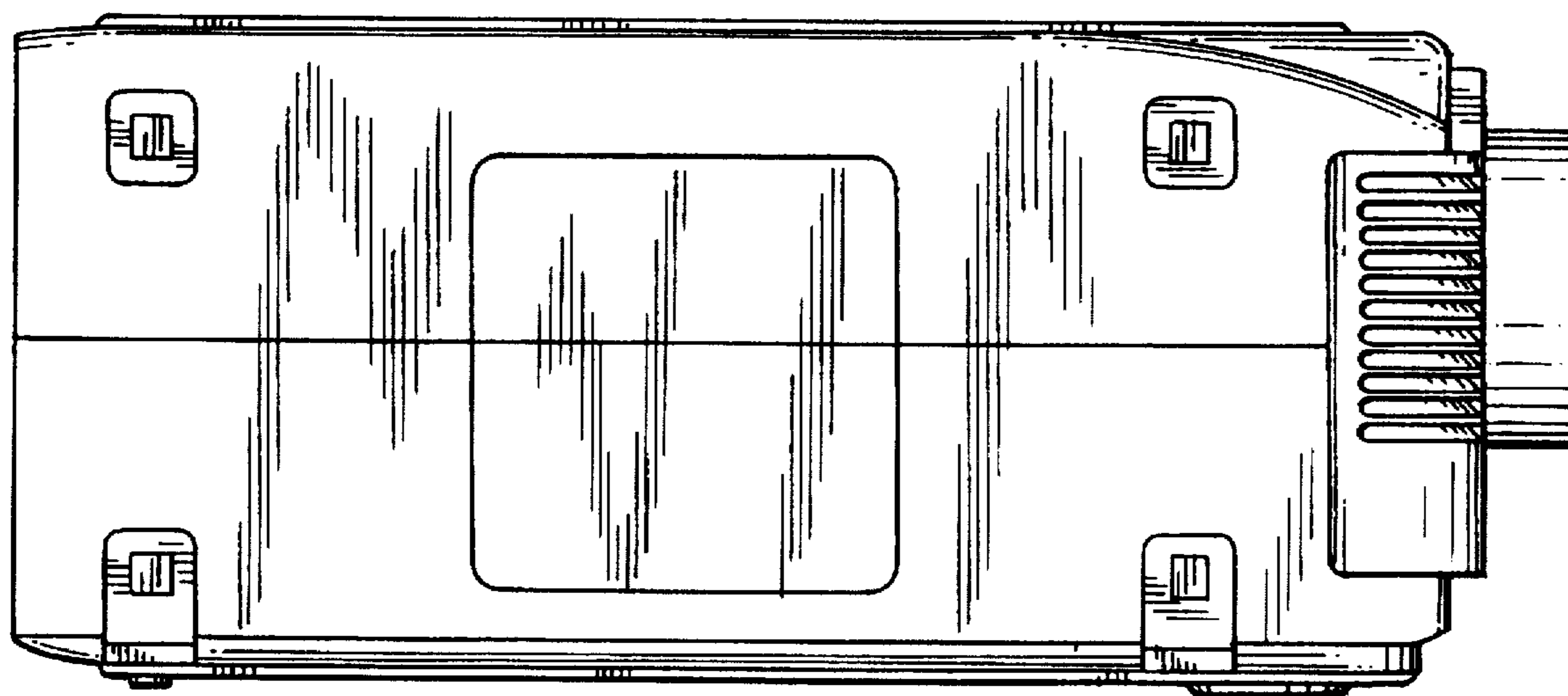


FIG. 7