



US00D388110S

United States Patent [19]

[11] Patent Number: Des. 388,110

Watarai et al.

[45] Date of Patent: **Dec. 23, 1997

[54] SINGLE LENS REFLEX CAMERA

[75] Inventors: **Kazuhiko Watarai; Satoru Tanio**, both of Tokyo, Japan

[73] Assignee: **Olympus Optical Co., Ltd.**, Tokyo, Japan

[**] Term: **14 Years**

[21] Appl. No.: **62,241**

[22] Filed: **Nov. 12, 1996**

[51] LOC (6) Cl. **16-01**

[52] U.S. Cl. **D16/217; D16/200; D16/209**

[58] Field of Search **D16/200-206, D16/208, 209, 216-218; 348/373-376; 396/29, 535, 536-543, 354-359, 379; 358/909.1, 906**

[56] References Cited

U.S. PATENT DOCUMENTS

D. 304,596	11/1989	Goto	D16/217
D. 314,582	2/1991	Minakawa et al.	D16/217
D. 315,357	3/1991	Fukutomi	D16/202
D. 330,562	10/1992	Takada et al.	D16/202
D. 352,517	11/1994	Sugiyama	D16/217
4,945,372	7/1990	Higuchi et al.	396/379

OTHER PUBLICATIONS

Popular Photography, May 1988 p. 50 (Chinon's Genesis).
Evans Catalog, 1991-1992 p. 329y (Olympus IS-1 Camera, Item No. 3).

Camera Annual '93, Published Dec. 15, 1992.
Camera Annual '95, Published Dec. 15, 1994.
Camera Annual '96, Published Dec. 15, 1995.
An extract of Magazine entitled *Photographic Industry*,
Published Mar. 1, 1996.

Primary Examiner—Philip S. Hyder
Assistant Examiner—Adir Aronovich
Attorney, Agent, or Firm—Laff, Whitesel, Conte & Saret,
Ltd.

[57] CLAIM

The ornamental design for a single lens reflex camera, as shown and described.

DESCRIPTION

FIG. 1 is a front, top and left side perspective view of a single lens reflex camera, showing our new design;
FIG. 2 is a rear, top and left side perspective view thereof;
FIG. 3 is a front elevational view thereof;
FIG. 4 is a top plan view thereof;
FIG. 5 is a left side elevational view thereof;
FIG. 6 is a right side elevational view thereof;
FIG. 7 is a rear elevational view thereof;
FIG. 8 is a bottom plan view thereof;
FIG. 9 is a front elevational view showing a built-in flash unit raised from a closed position; and,
FIG. 10 is a right side elevational view showing a zoom lens in an extended state and a built-in flash unit raised from a closed position.

1 Claim, 5 Drawing Sheets

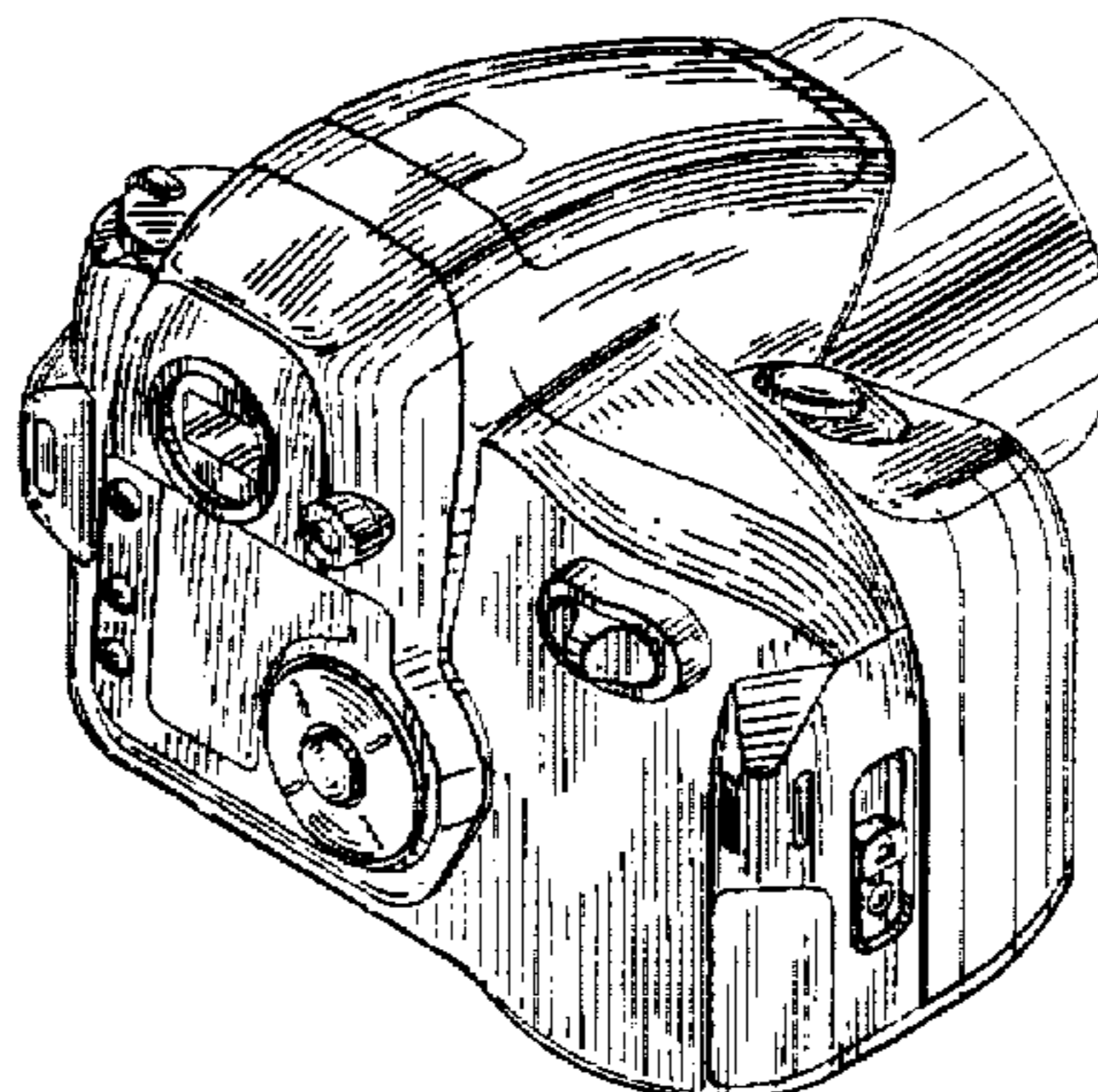
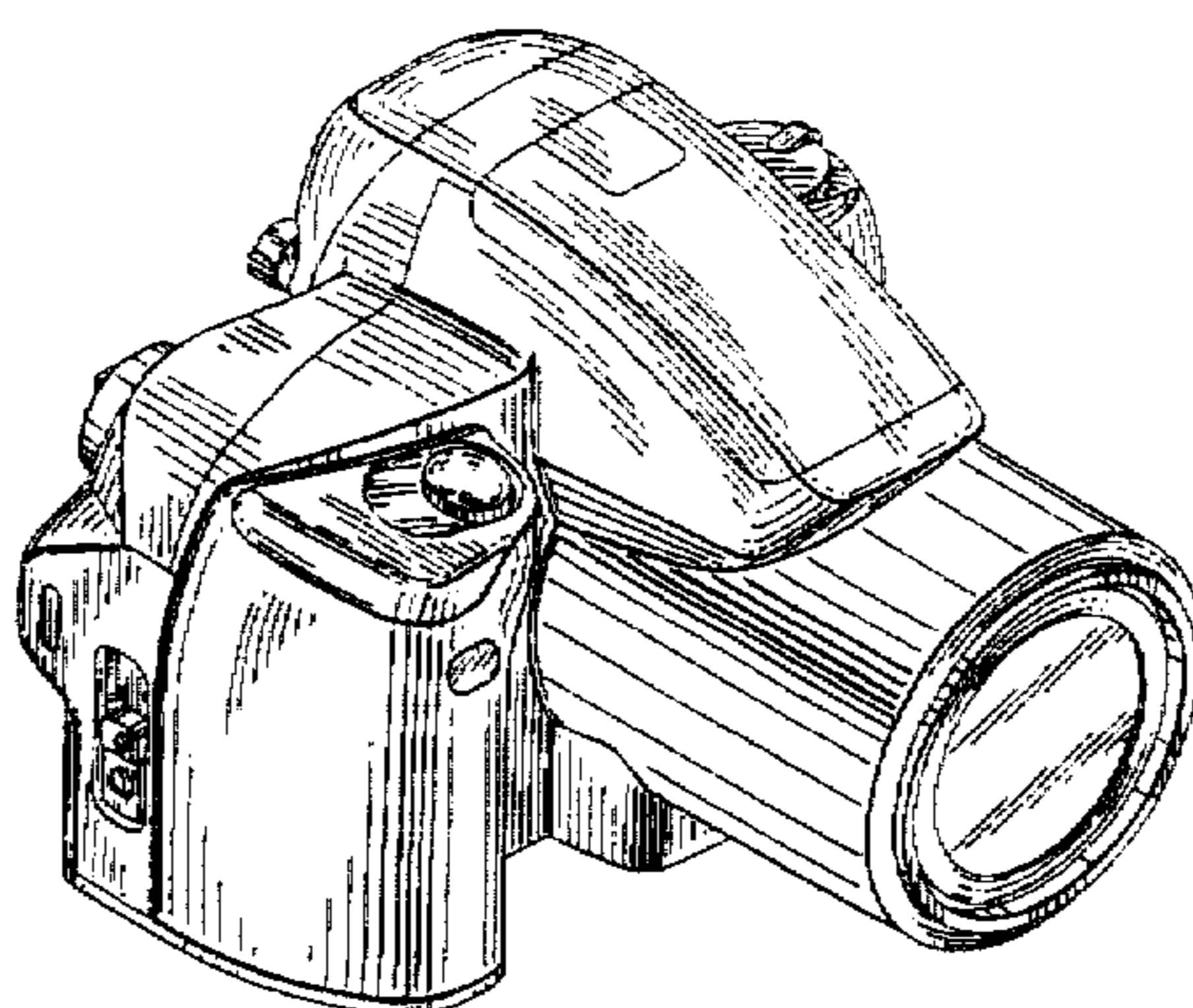


FIG. 1

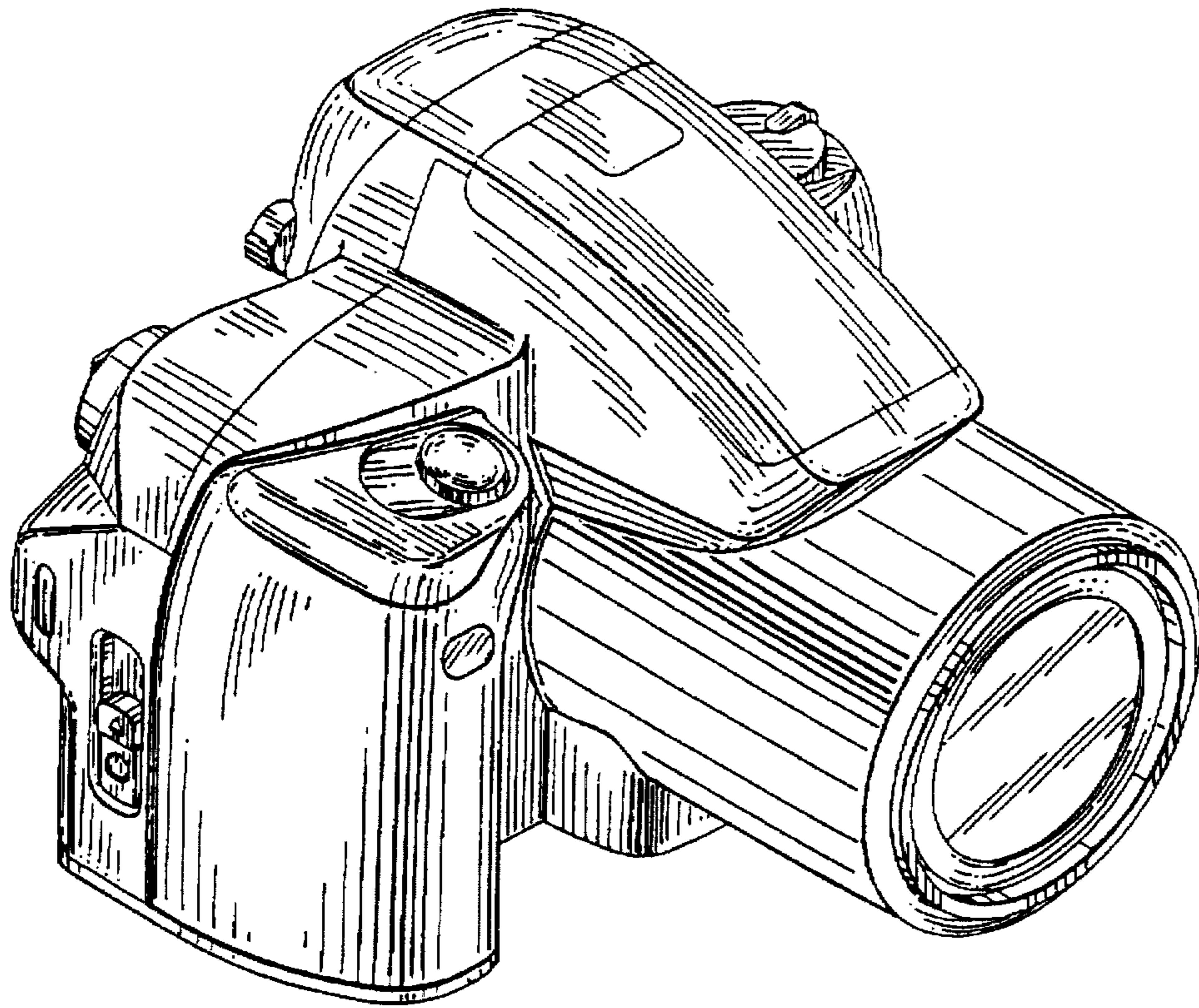


FIG. 2

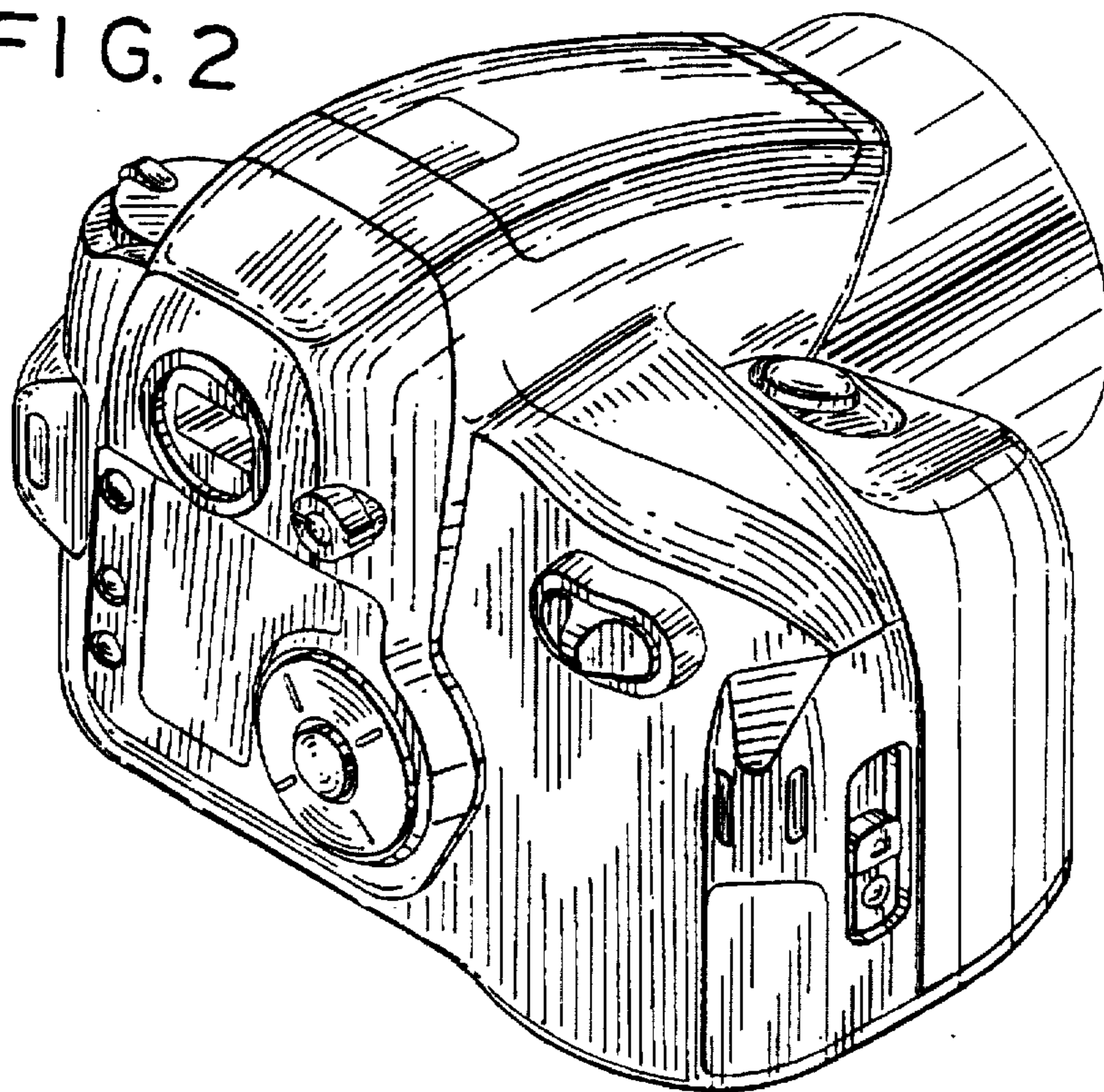


FIG. 3

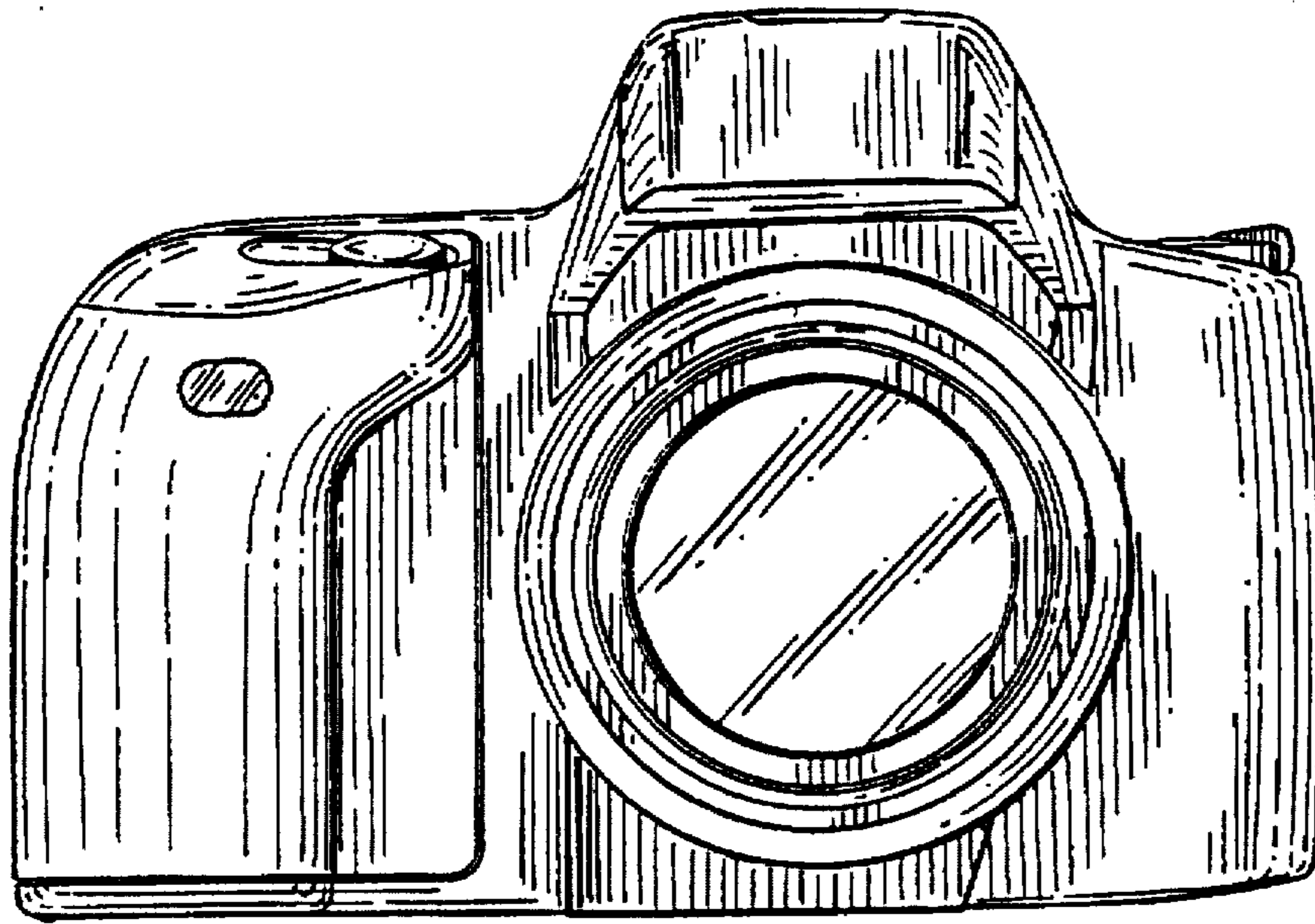


FIG. 4

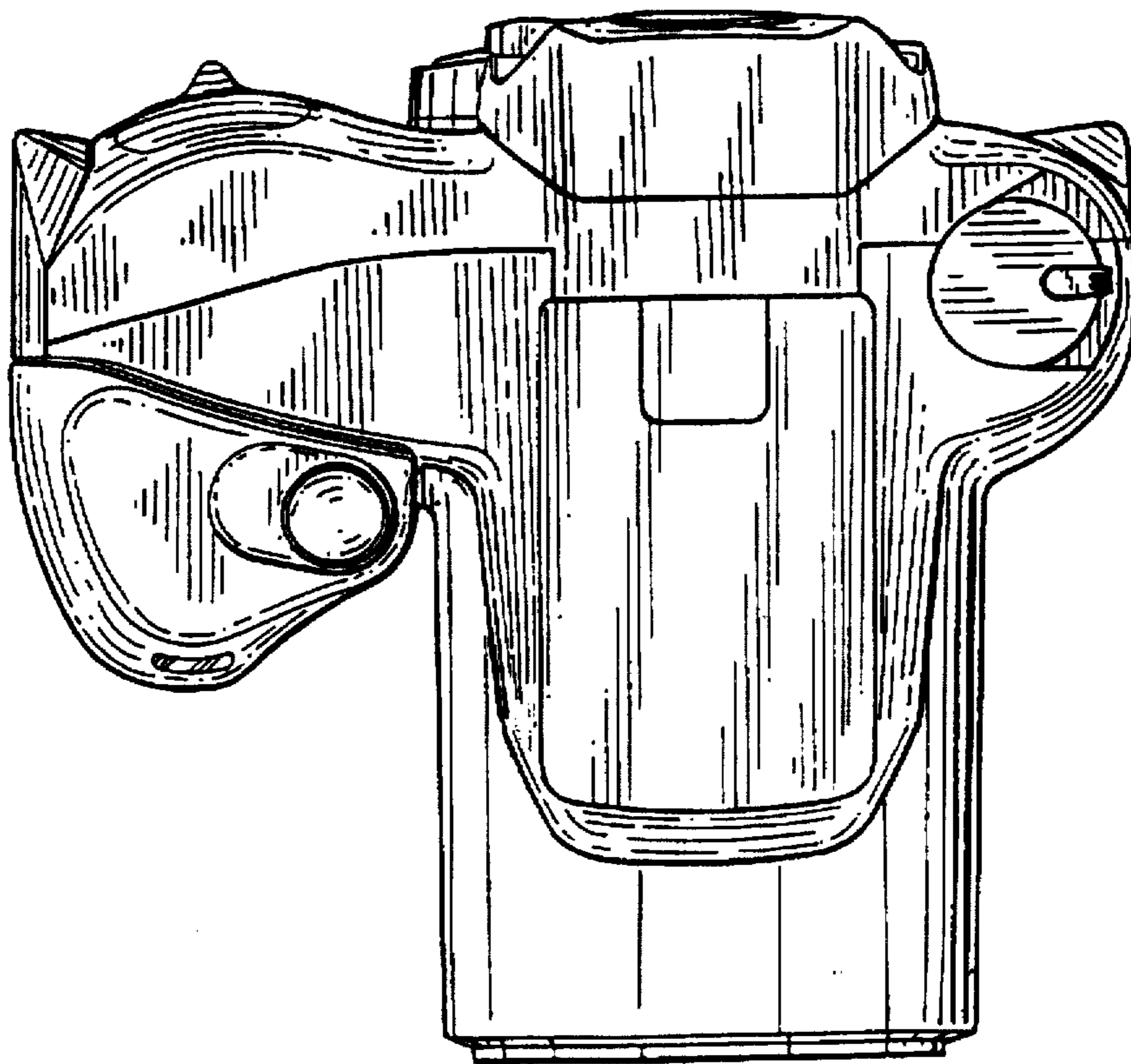


FIG. 5

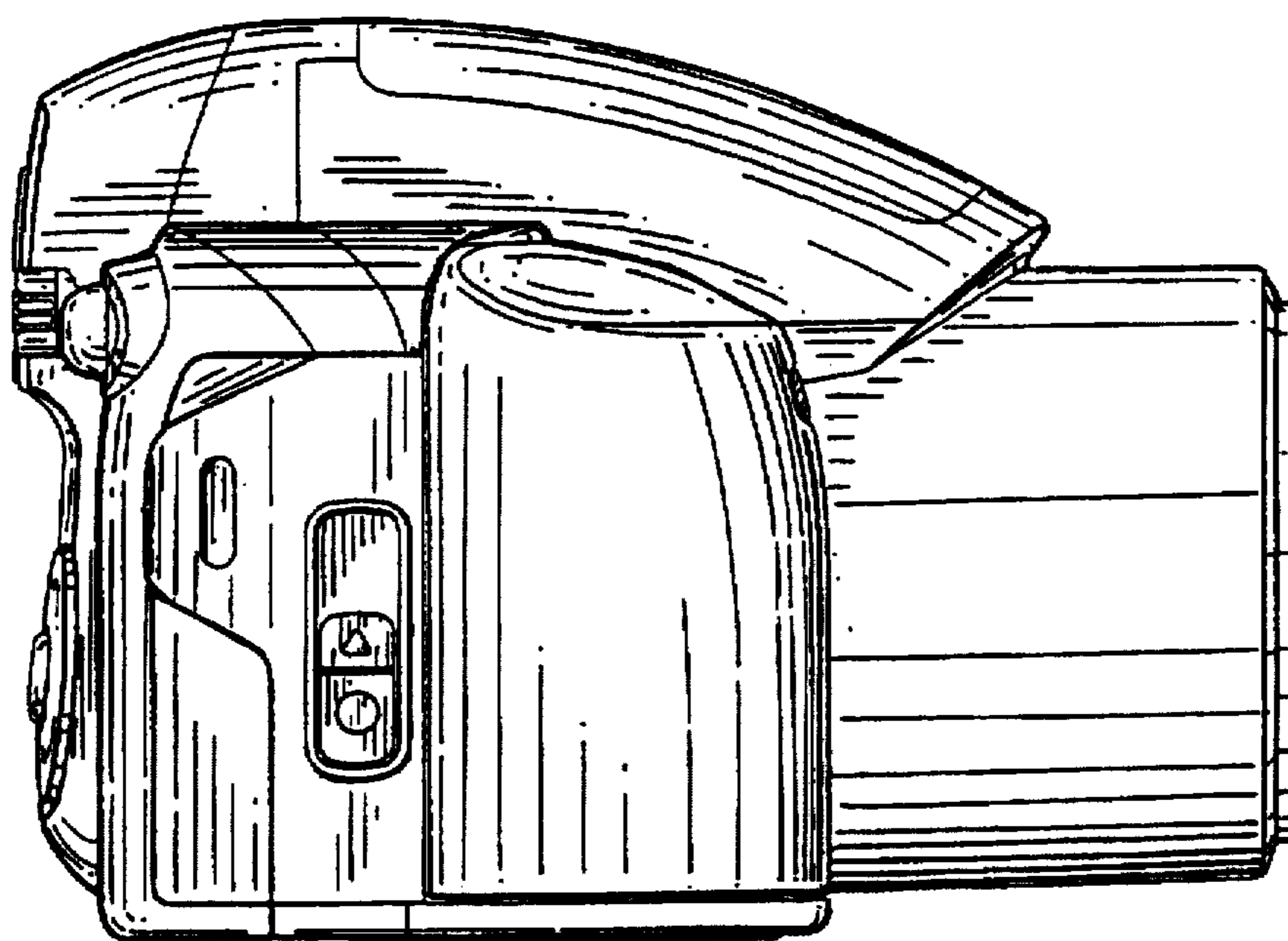


FIG. 6

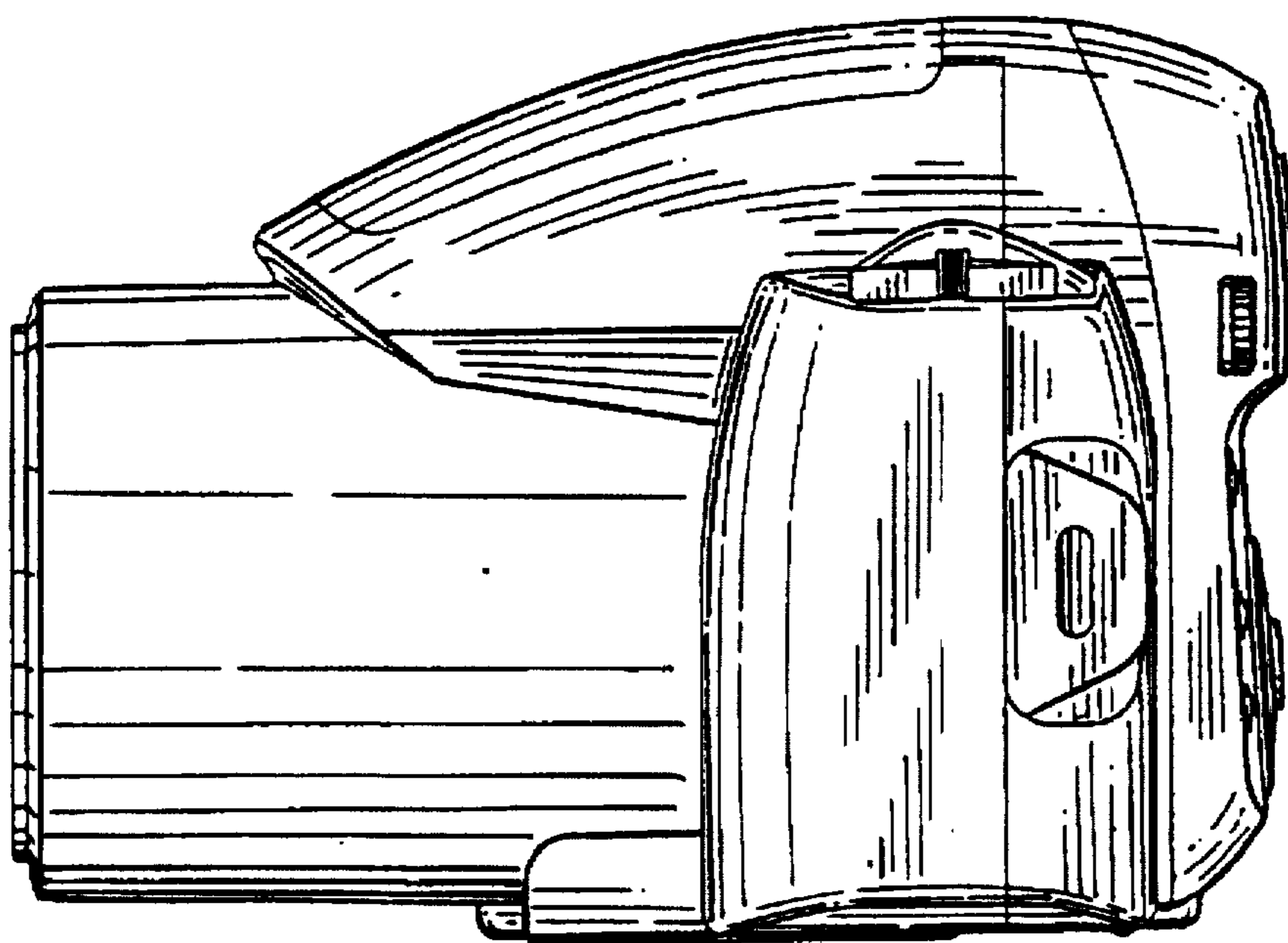


FIG. 7

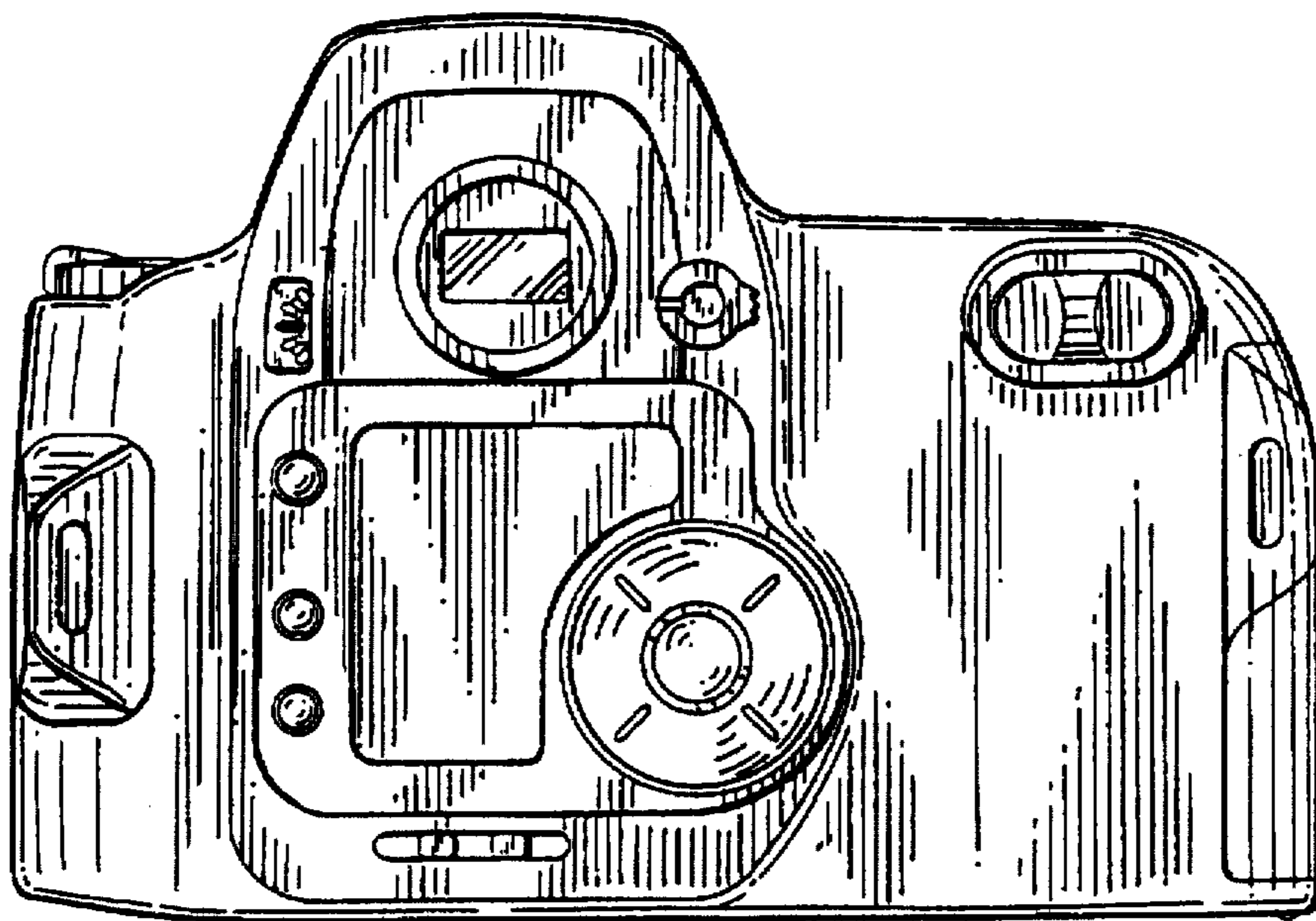


FIG. 8

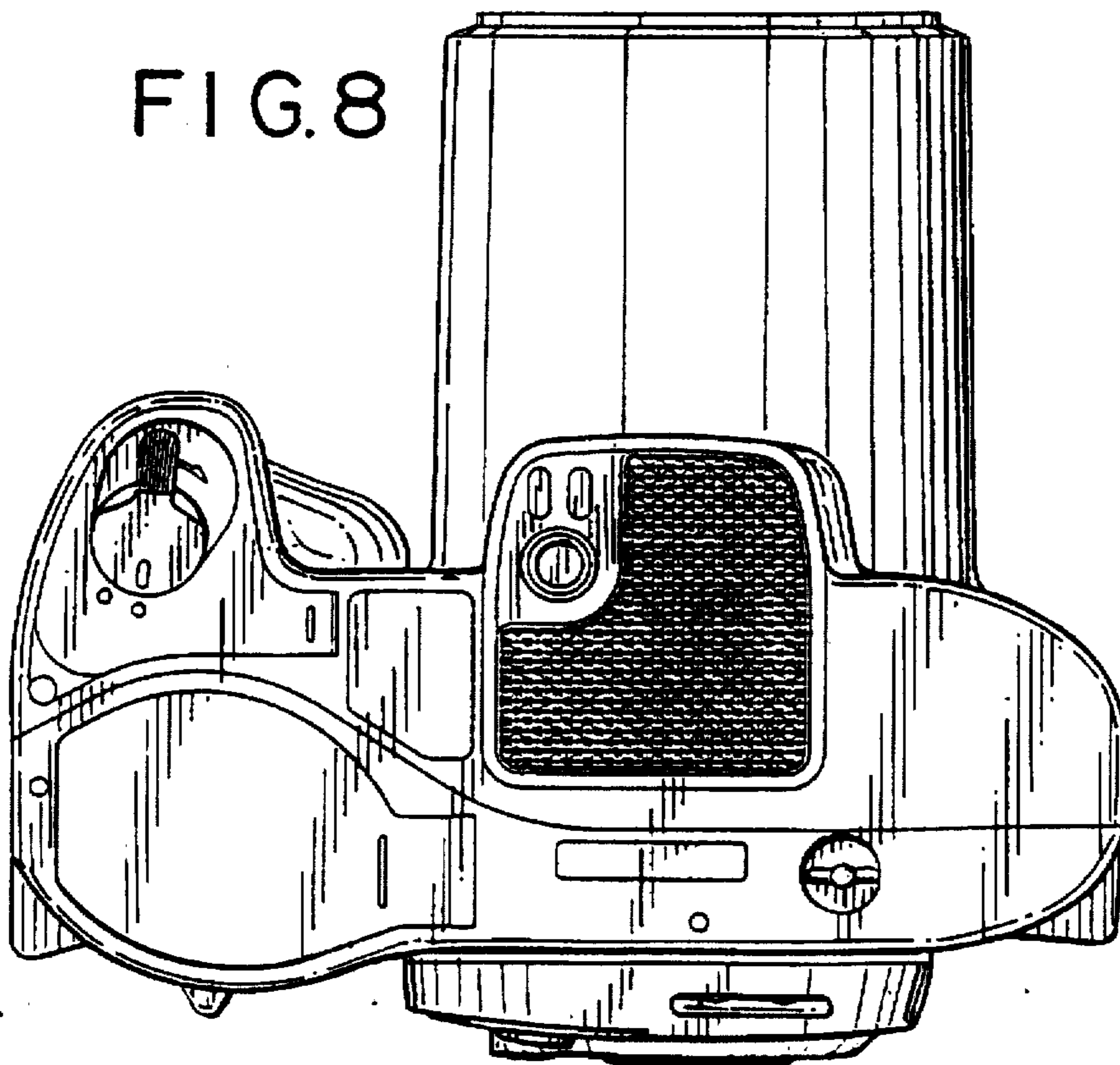


FIG. 9

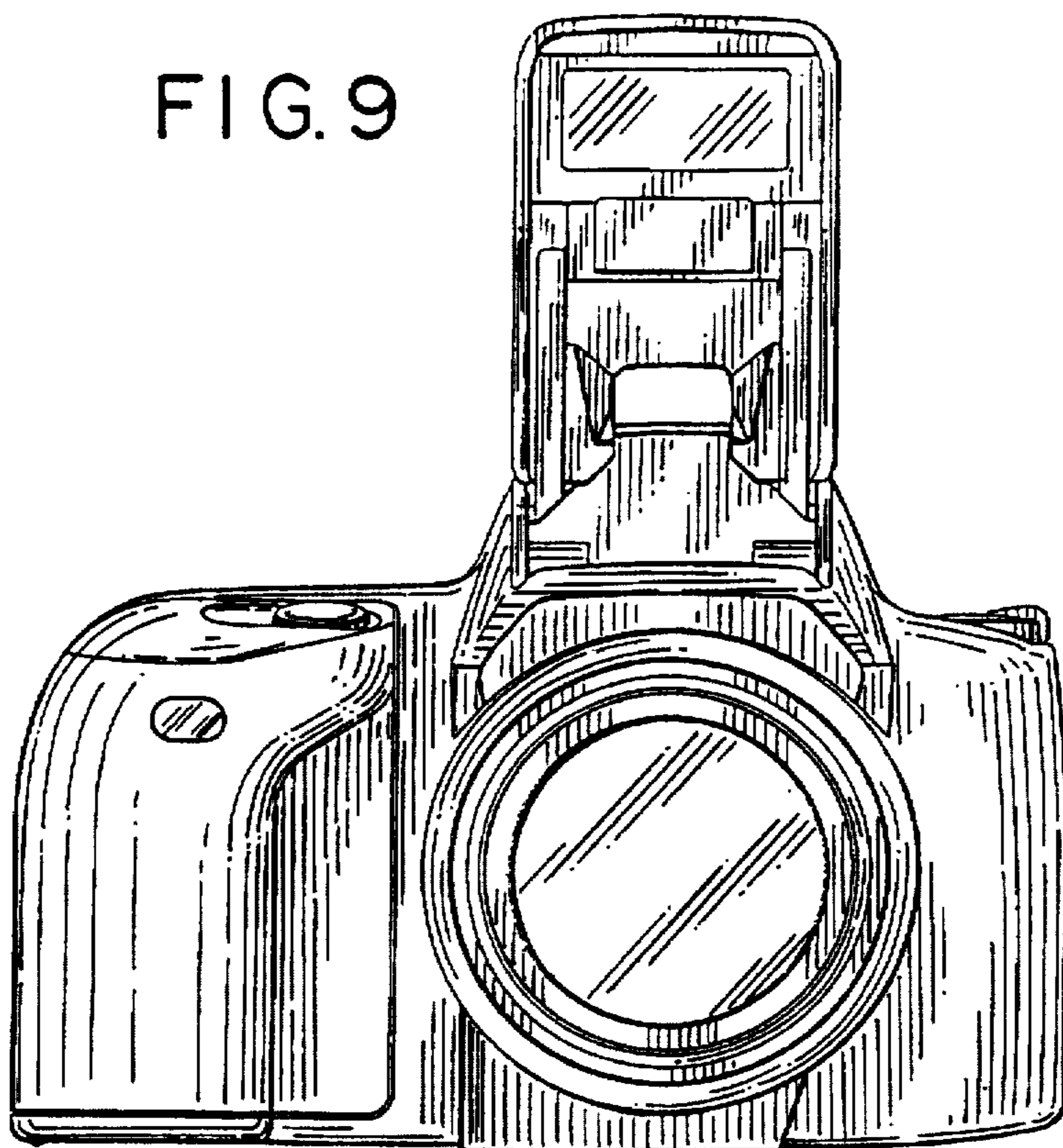


FIG. 10

