



US00D388106S

United States Patent [19]
Tanaka

[11] **Patent Number: Des. 388,106**
[45] **Date of Patent: **Dec. 23, 1997**

[54] **VIDEO CAMERA WITH VIDEO TAPE RECORDER**

[75] **Inventor: Chifuyu Tanaka, Tokyo, Japan**

[73] **Assignee: Canon Kabushiki Kaisha, Tokyo, Japan**

[**] **Term: 14 Years**

[21] **Appl. No.: 63,609**

[22] **Filed: Dec. 11, 1996**

[30] **Foreign Application Priority Data**

Jun. 13, 1996 [JP] Japan 8-17577

[51] **LOC (6) Cl. 16-01**

[52] **U.S. Cl. D16/202**

[58] **Field of Search D16/200-206,
D16/208; 348/373-376; 352/242, 243; 358/906;
396/29, 535-543; H04N 5/225**

[56] **References Cited**

U.S. PATENT DOCUMENTS

D. 346,614	5/1994	Sumita	D16/202
D. 362,452	9/1995	Matsumura	D16/202
D. 368,922	4/1996	Tanaka	D16/202
D. 374,241	10/1996	Sekine	D16/202

5,499,052 3/1996 Nakanishi et al. 358/906

FOREIGN PATENT DOCUMENTS

406086123 3/1994 Japan .

OTHER PUBLICATIONS

Video Magazine, Jan. 1993 p. 91 (Yashica KX-V1-H1 8).

Primary Examiner—Philip S. Hyder

Assistant Examiner—Adir Aronovich

Attorney, Agent, or Firm—Fitzpatrick, Cella, Harper & Scinto

[57] **CLAIM**

The ornamental design for a video camera with video tape recorder, as shown and described.

DESCRIPTION

FIG. 1 is a front view of a video camera with video tape recorder showing my new design;
FIG. 2 is a rear view thereof;
FIG. 3 is a top plan view thereof;
FIG. 4 is a bottom plan view thereof;
FIG. 5 is a left side view thereof;
FIG. 6 is a right side view thereof; and,
FIG. 7 is a perspective view thereof.

1 Claim, 2 Drawing Sheets

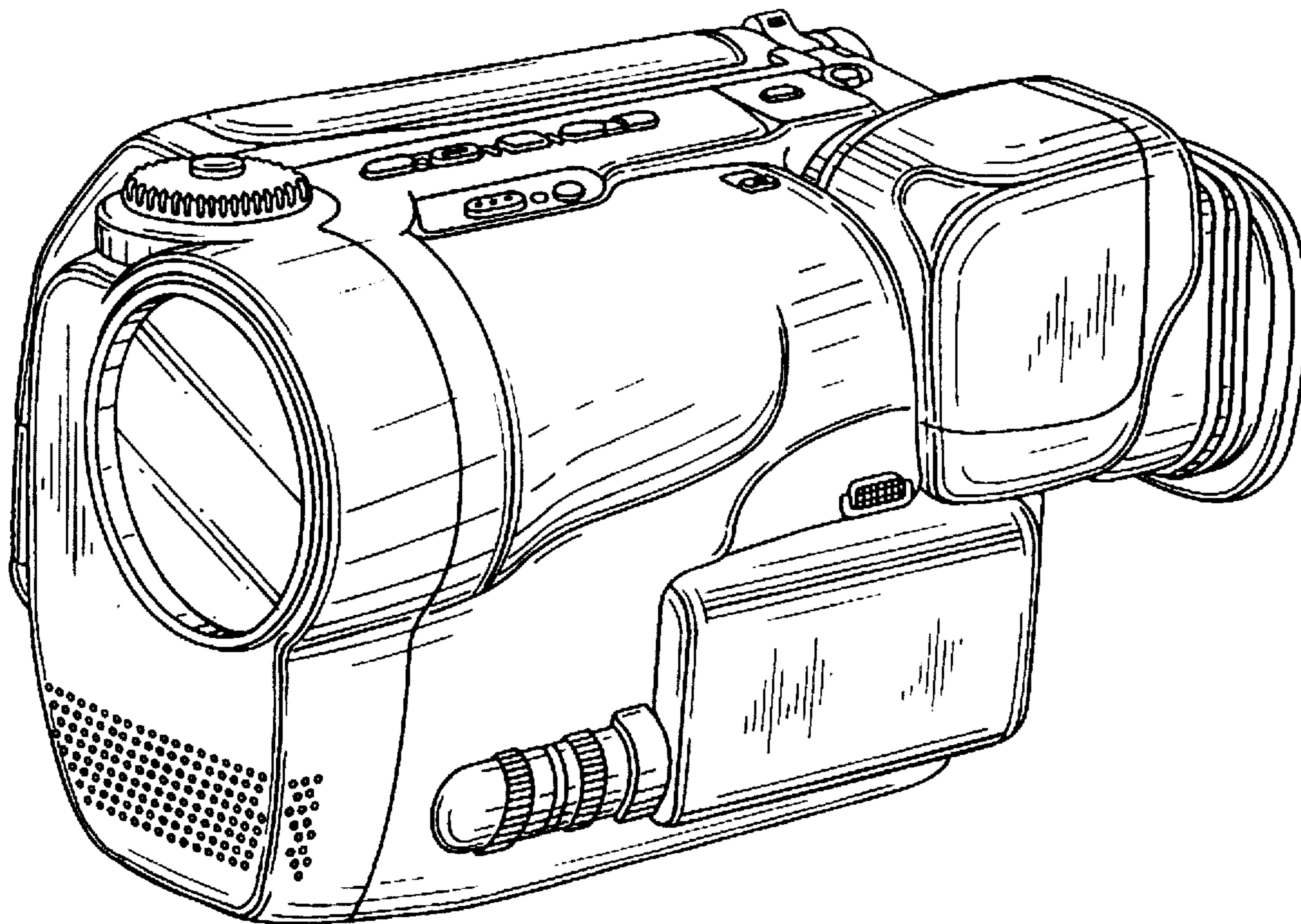


FIG. 1

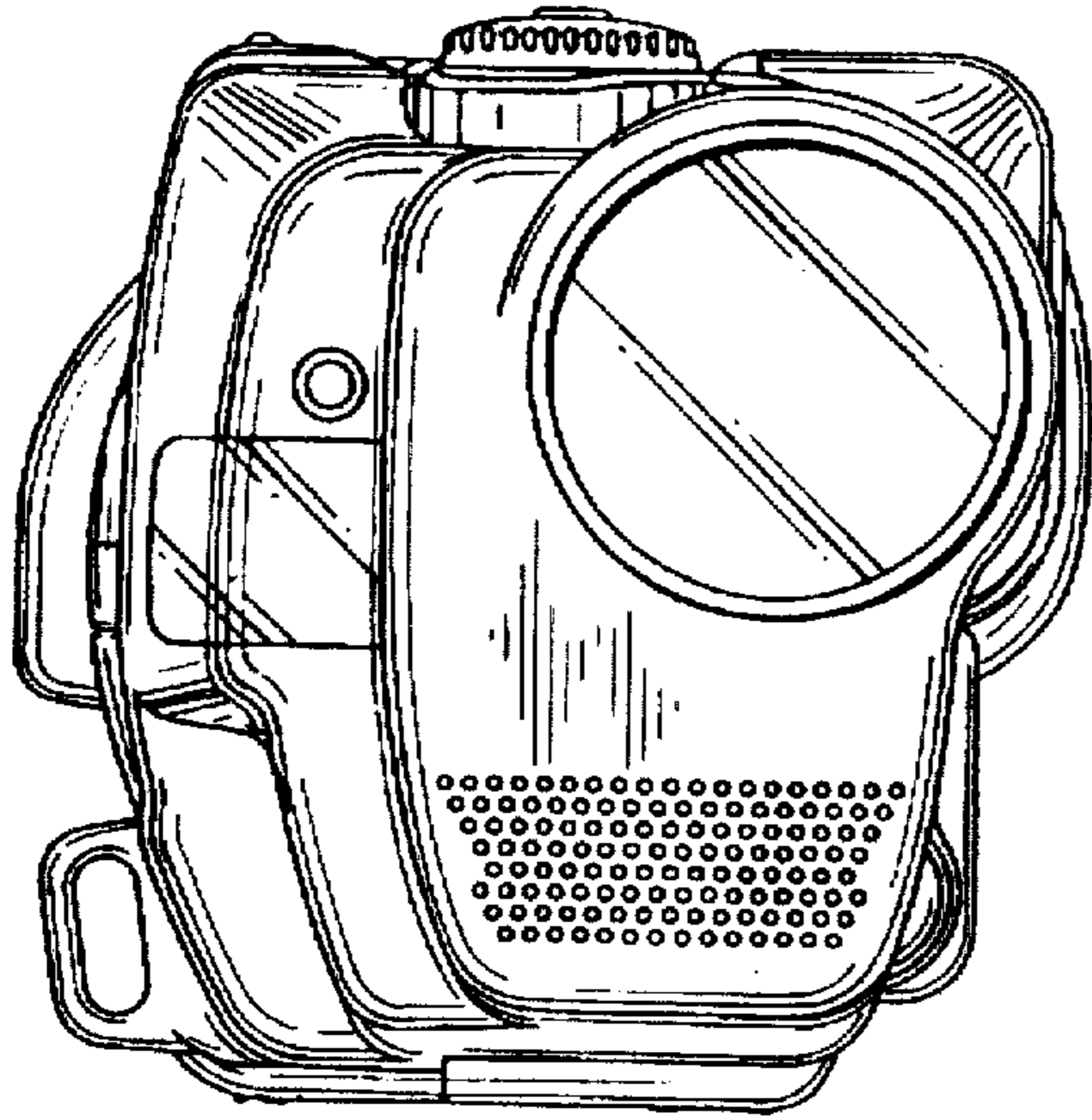


FIG. 2

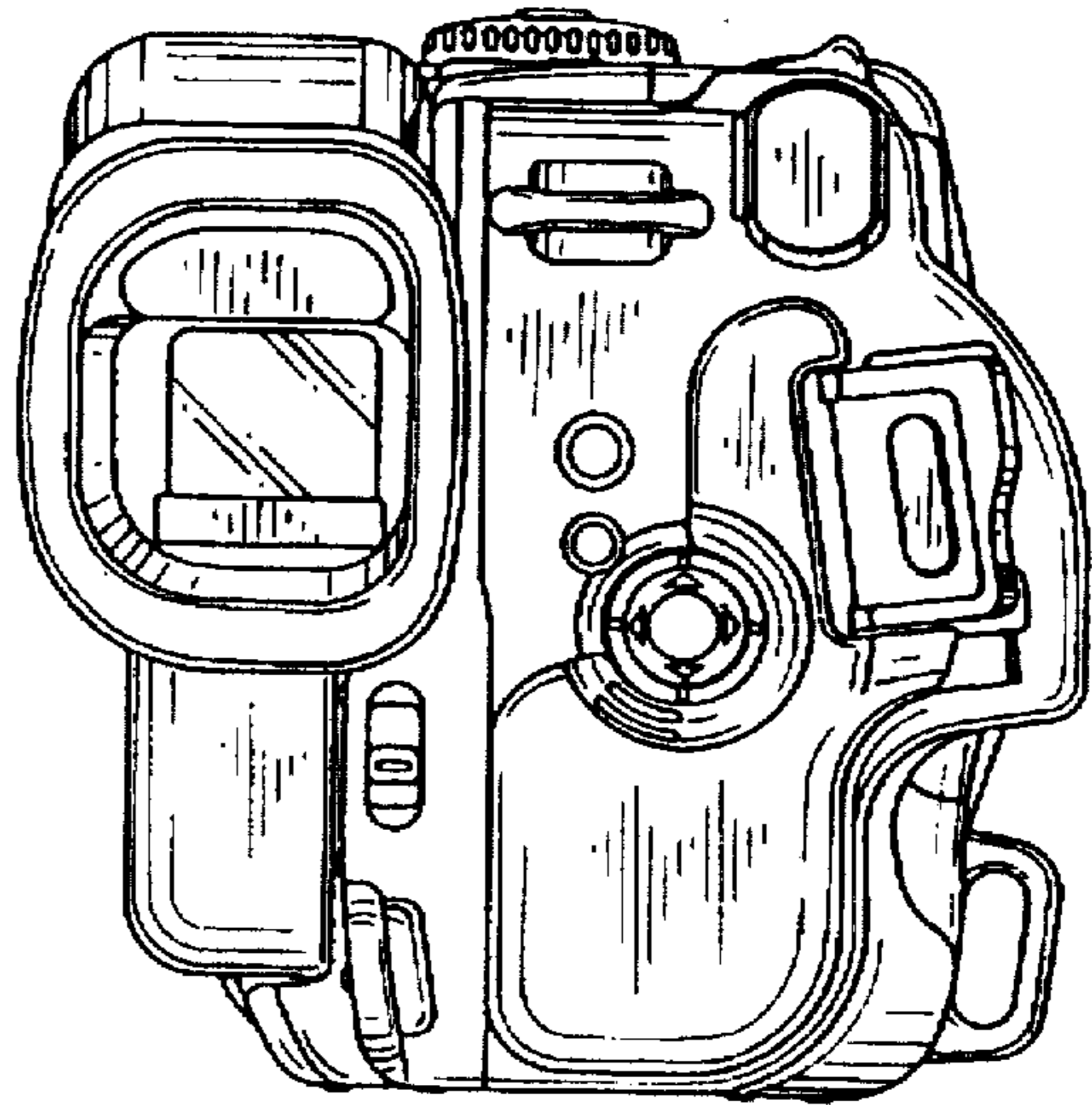


FIG. 3

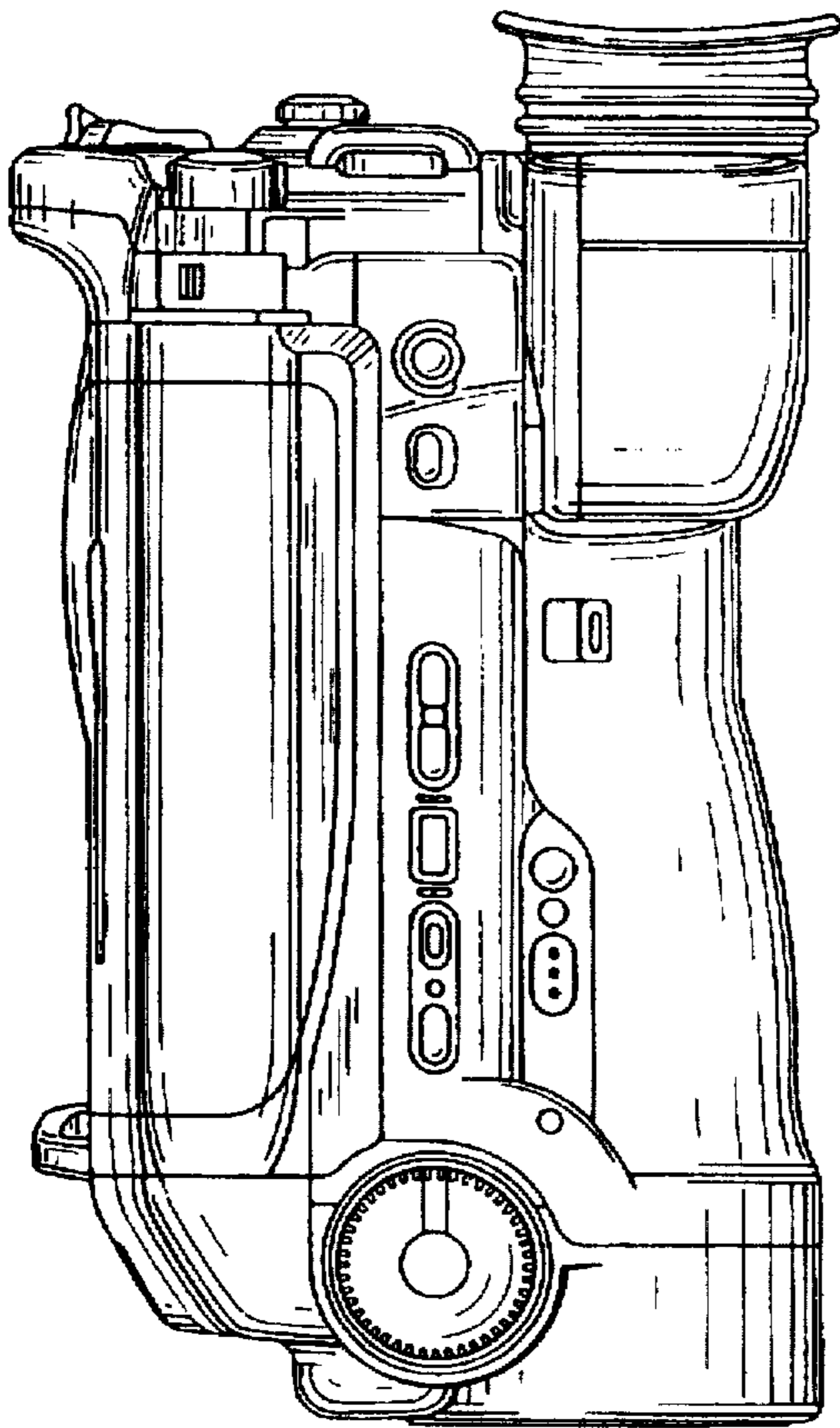


FIG. 4

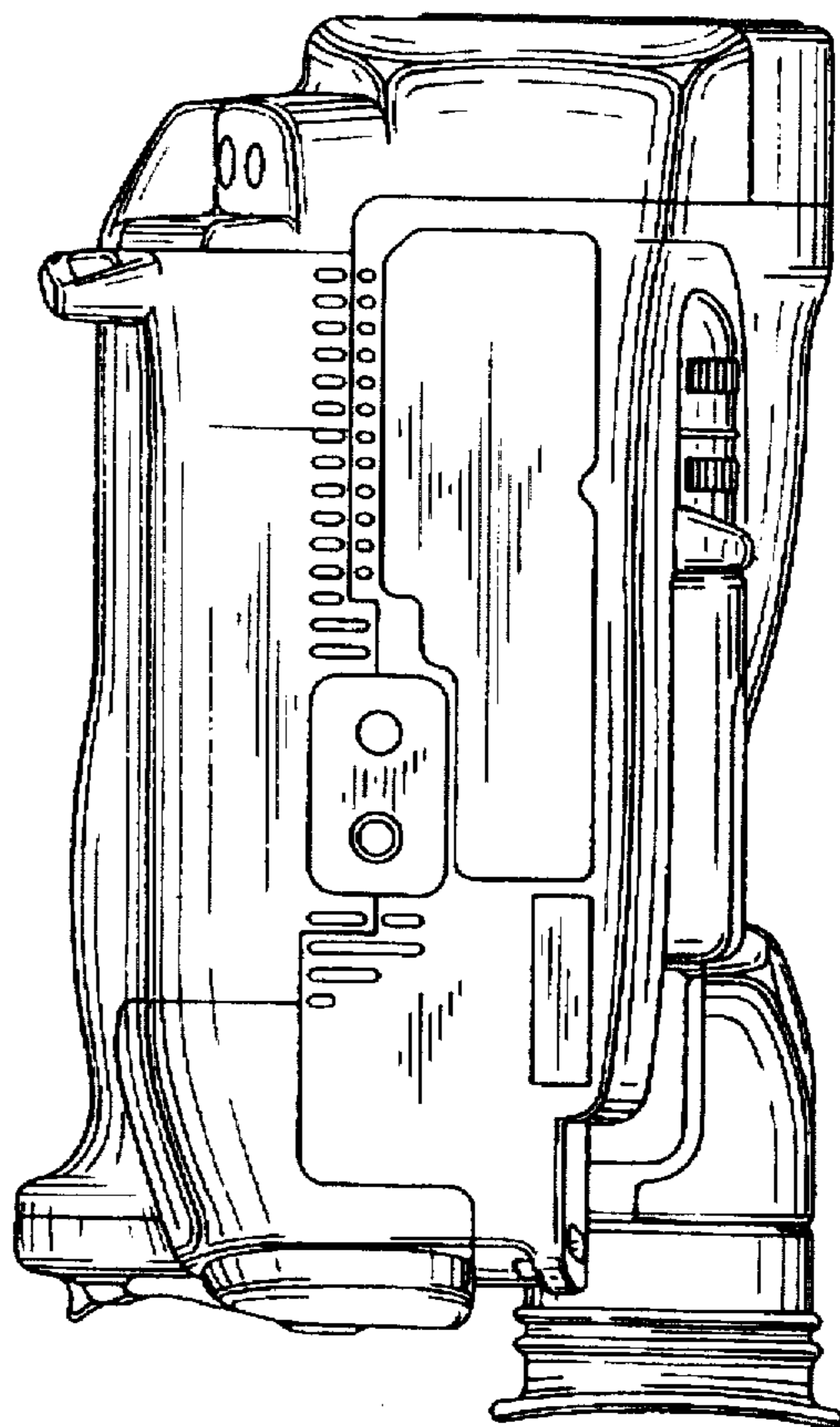


FIG. 5

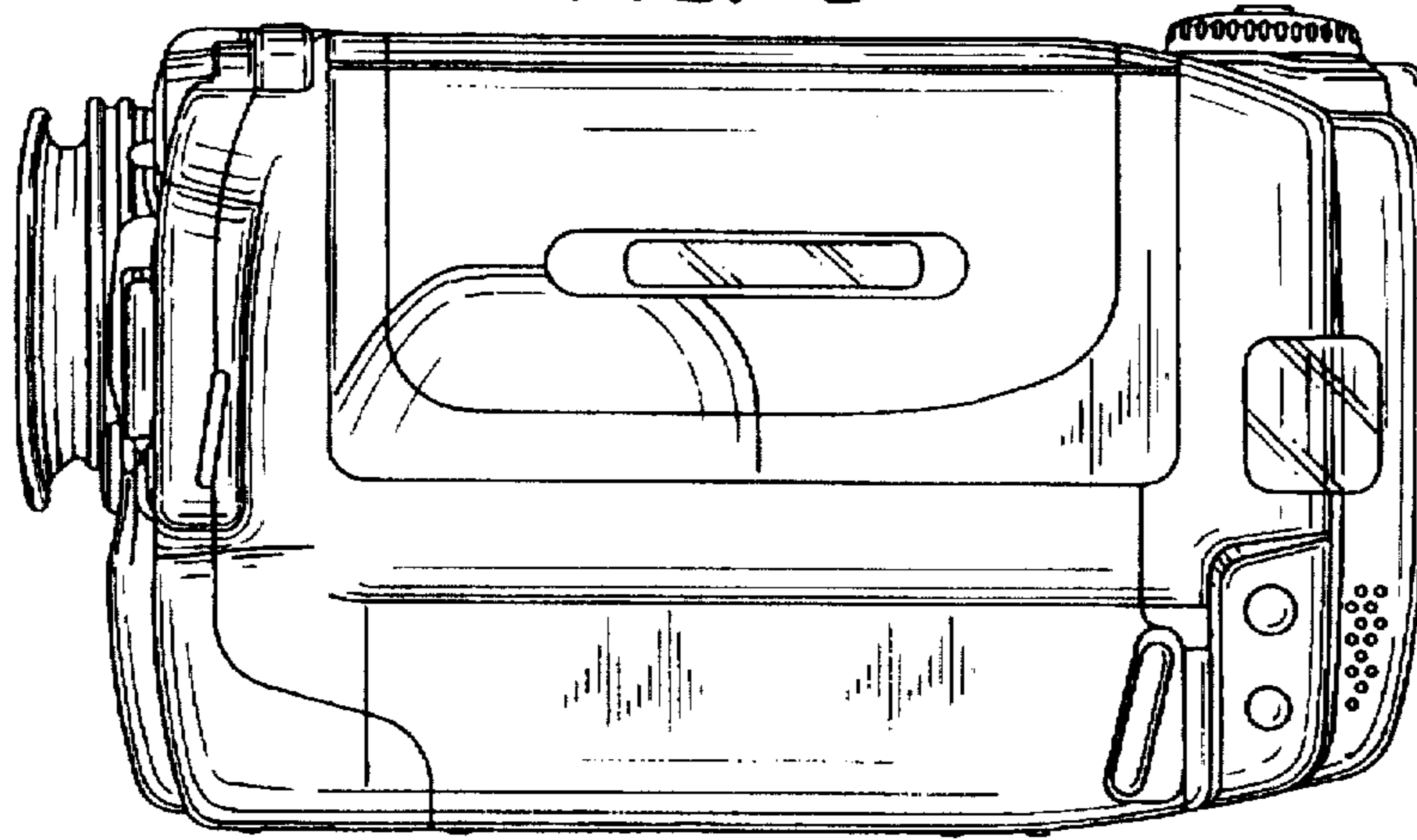


FIG. 6

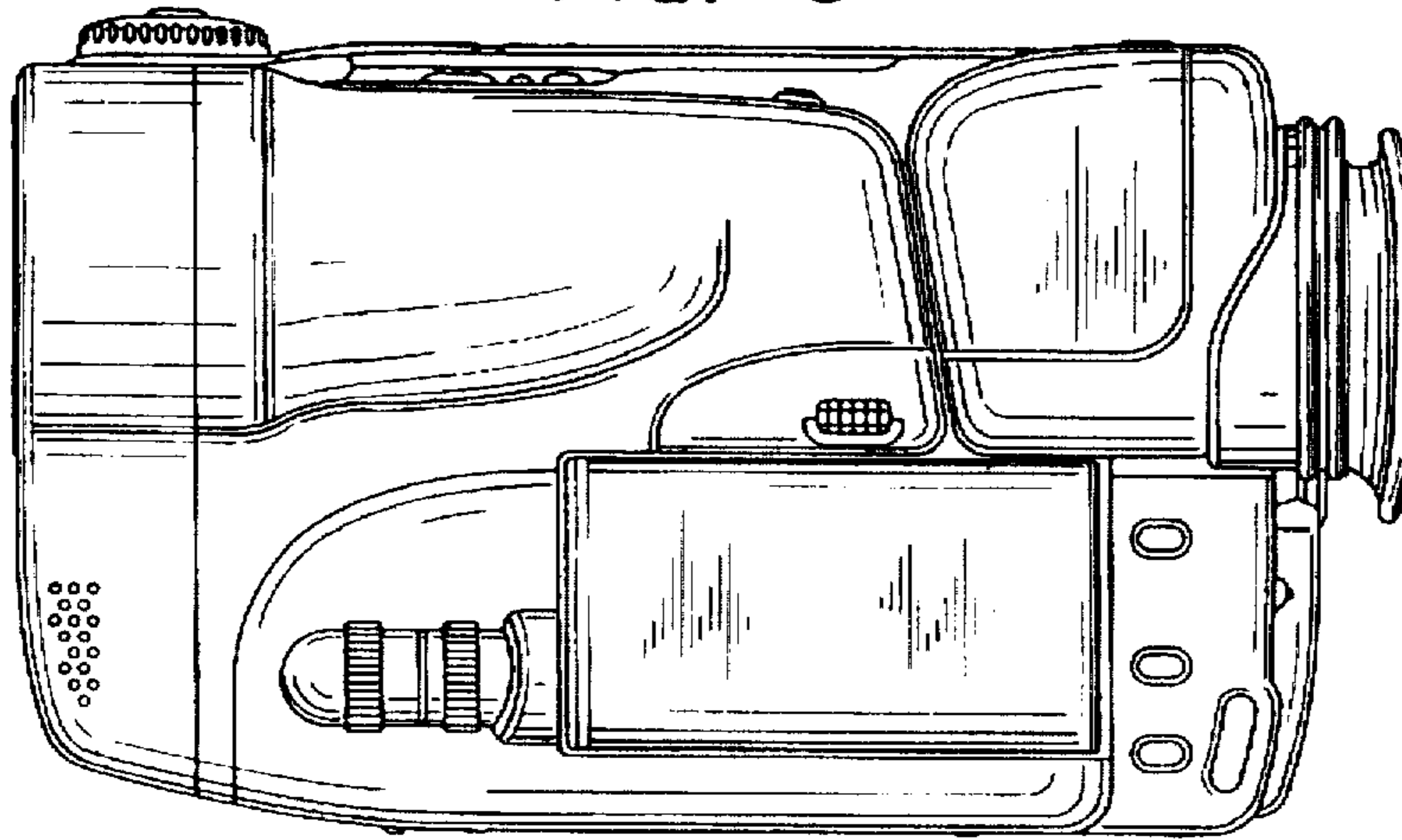
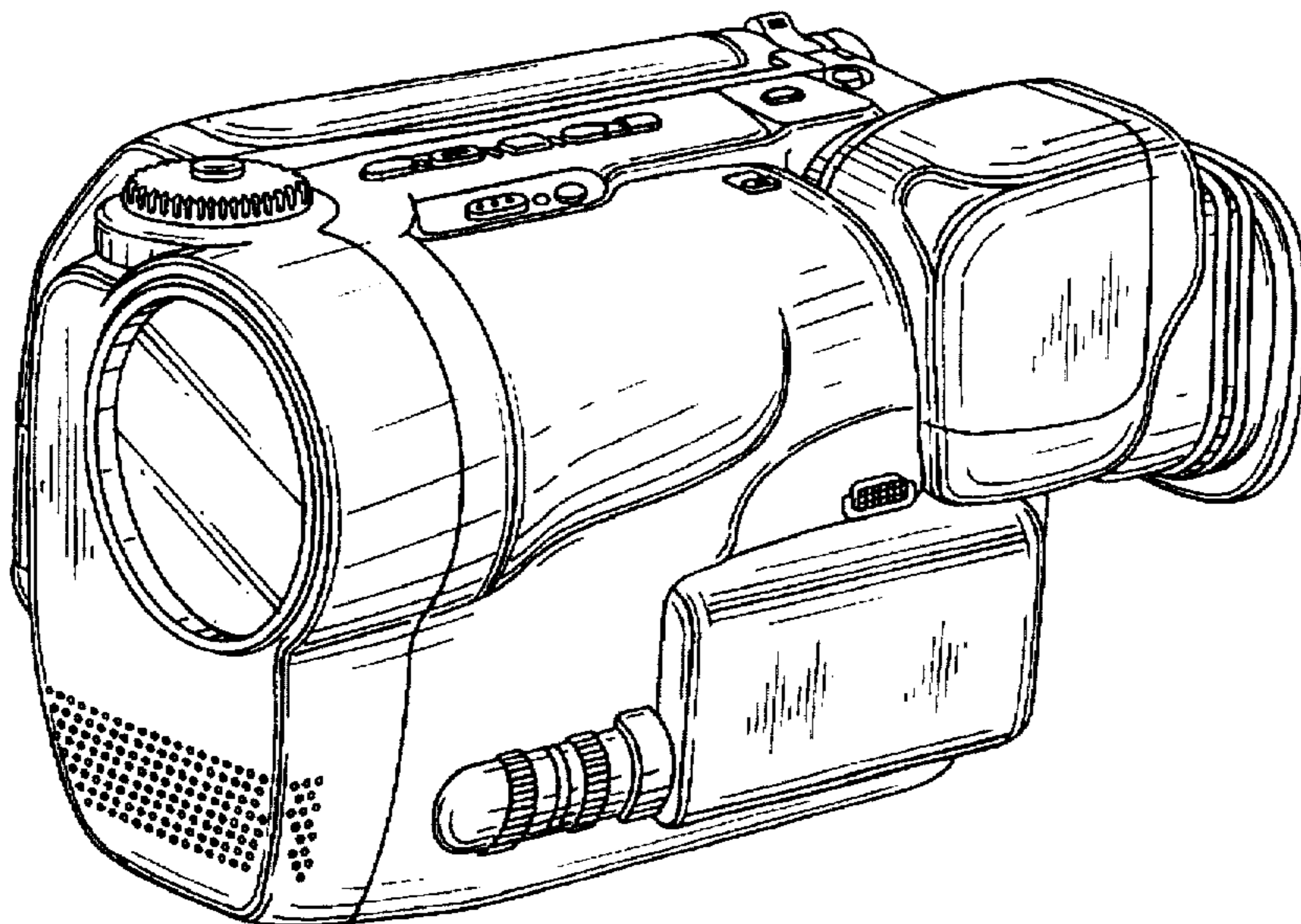


FIG. 7



UNITED STATES PATENT AND TRADEMARK OFFICE
CERTIFICATE OF CORRECTION

PATENT NO. : Des. 388,106
DATED : December 23, 1997
INVENTOR(S) : CHIFUYU TANAKA

It is certified that error appears in the above-identified patent and that said Letters Patent is hereby corrected as shown below:

On the title page, Item

[56] REFERENCES CITED

U.S. Patent Documents

Insert: --Des. 316,420 04/1991 Tanaka ... D16/202--.
Insert: --Des. 331,935 12/1992 Tanaka ... D16/202--.
Insert: --Des. 337,340 07/1993 Tanaka ... D16/202--.
Insert: --Des. 377,941 02/1997 Tanaka ... D16/202--.

Foreign Patent Documents

"406086123" should read --6-086123--.

Signed and Sealed this

Twenty-first Day of April, 1998



Attest:

BRUCE LEHMAN

Attesting Officer

Commissioner of Patents and Trademarks