



US00D388104S

United States Patent [19]

Ono et al.

[11] Patent Number: **Des. 388,104**

[45] Date of Patent: ****Dec. 23, 1997**

[54] CAMERA LENS

[75] Inventors: **Arata Ono**, Urawa; **Jun Akabane**,
Yokohama, both of Japan

[73] Assignee: **Nikon Corporation**, Tokyo, Japan

[**] Term: **14 Years**

[21] Appl. No.: **59,419**

[22] Filed: **Sep. 11, 1996**

[30] **Foreign Application Priority Data**

Jun. 13, 1996 [JP] Japan 8-17573

[51] LOC (6) CL. **16-06**

[52] U.S. Cl. **D16/134**

[58] Field of Search D16/134; 359/815,
359/823, 826, 827, 694, 696, 688, 703

[56] **References Cited**

U.S. PATENT DOCUMENTS

- D. 302,984 8/1989 Kimura et al. D16/134
- D. 303,976 10/1989 Kimura et al. D16/134

- D. 331,589 12/1992 Yamamoto D16/134
- D. 338,028 8/1993 Takahashi D16/134
- D. 341,610 11/1993 Takahashi D16/134
- D. 341,611 11/1993 Takahashi D16/134
- D. 375,969 11/1996 Watanabe D16/134
- 3,904,279 9/1975 Sanada 359/827
- 4,626,077 12/1986 Yamamoto 359/703 X

Primary Examiner—Paula A. Mortimer
Attorney, Agent, or Firm—Oliff & Berridge

[57] **CLAIM**

The ornamental design for a camera lens, as shown.

DESCRIPTION

FIG. 1 is a front elevational view of a camera lens showing our new design;
FIG. 2 is a rear elevational view thereof;
FIG. 3 is a left side elevational view thereof;
FIG. 4 is a right side elevational view thereof;
FIG. 5 is a top plan elevational view thereof;
FIG. 6 is a bottom plan elevational view thereof; and,
FIG. 7 is a front perspective view thereof.

1 Claim, 4 Drawing Sheets



FIG. 1



FIG. 2

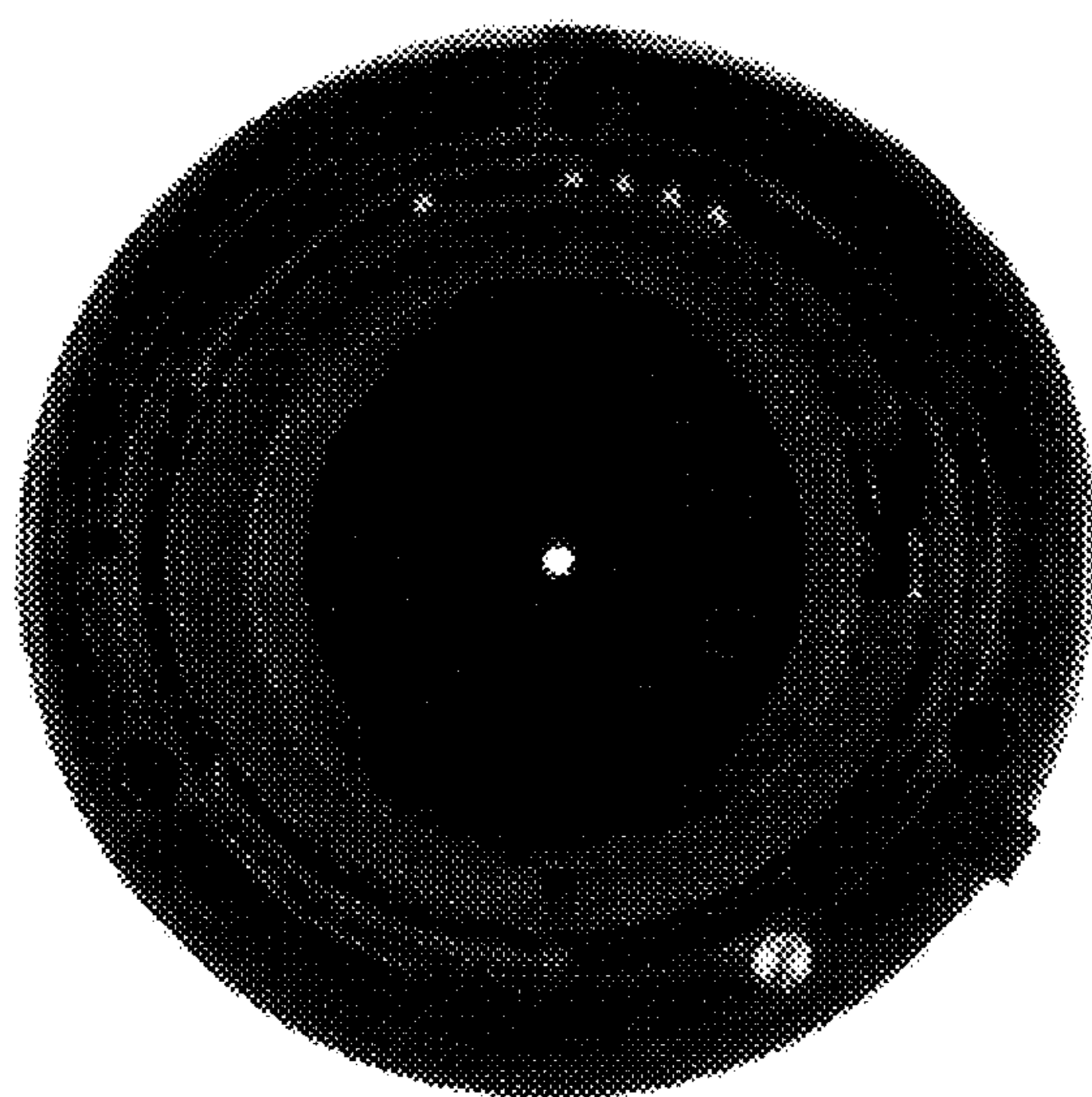


FIG. 3

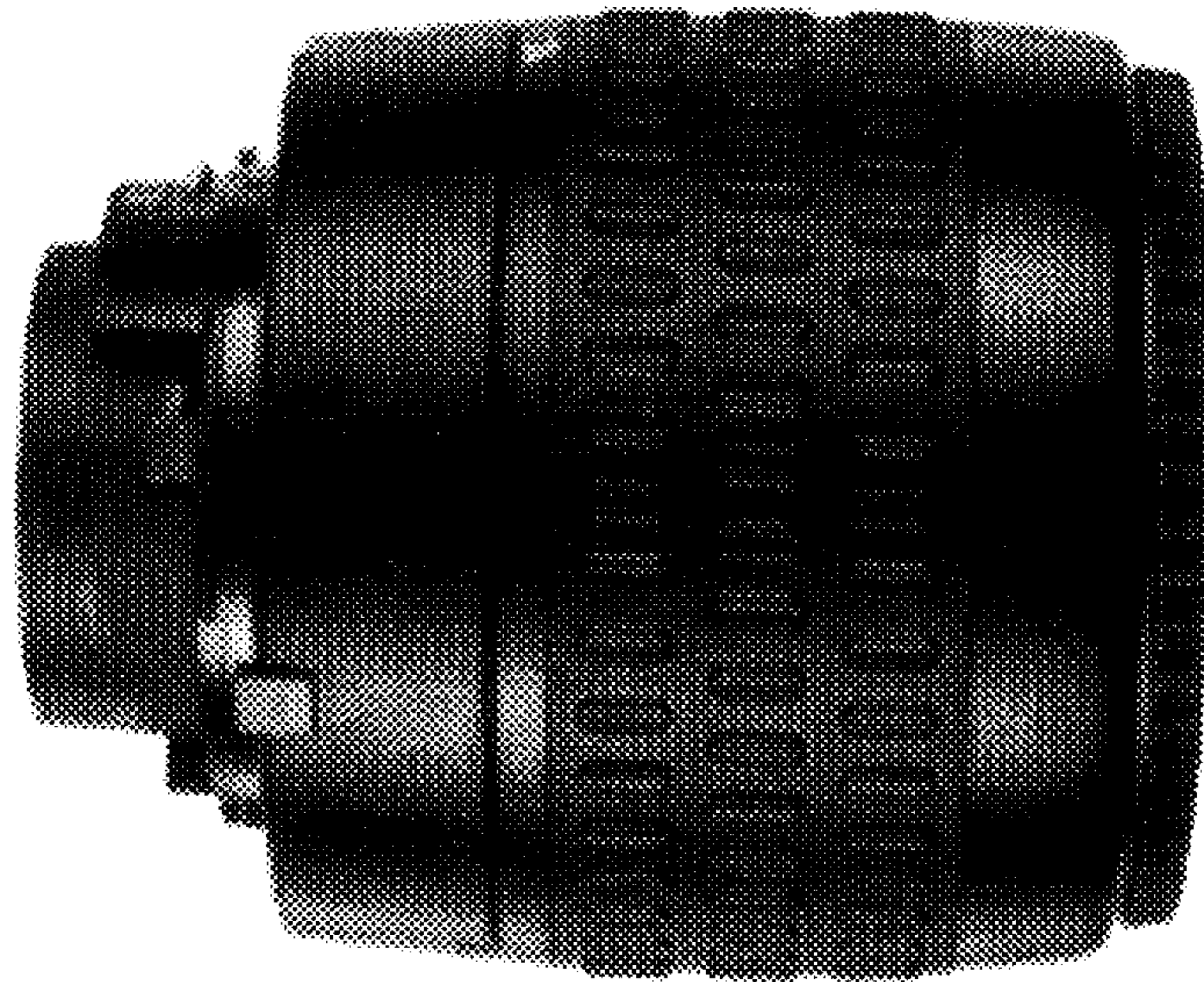


FIG. 4



FIG. 5



FIG. 6



FIG. 7

