



US00D388095S

# United States Patent [19]

Nijjima et al.

[11] Patent Number: Des. 388,095

[45] Date of Patent: \*\*Dec. 23, 1997

[54] MEDIA UNIT

[75] Inventors: **Makoto Nijjima; Yoshiaki Kumagai,**  
both of Tokyo, Japan

[73] Assignee: **Sony Corporation,** Tokyo, Japan

[\*\*] Term: **14 Years**

[21] Appl. No.: **38,403**

[22] Filed: **May 5, 1995**

[51] LOC (6) CL ..... **14-03**

[52] U.S. Cl. .... **D14/230**

[58] Field of Search ..... **D14/126, 155,**  
**D14/188, 194, 168, 230, 233, 235-237,**  
**299; 390/311.1; 455/39, 92, 100, 128, 130**

[56] **References Cited**

**U.S. PATENT DOCUMENTS**

D. 318,673	7/1991	Terk	.....	D14/235 X
D. 325,578	4/1992	Daido et al.	.....	D14/155
D. 328,464	8/1992	Liu et al.	.....	D14/230
D. 333,471	2/1993	Vong	.....	D14/230
D. 365,347	12/1995	Geneve et al.	.....	D14/230

*Primary Examiner*—James Gandy  
*Assistant Examiner*—Cathron B. Matta

*Attorney, Agent, or Firm*—Foley & Lardner

[57] **CLAIM**

The ornamental design for a media unit, as shown and described.

**DESCRIPTION**

FIG. 1 is a perspective view of the media unit showing our new design;  
 FIG. 2 is a perspective view thereof wherein the top portion is turned;  
 FIG. 3 is a front elevational view thereof;  
 FIG. 4 is a rear elevational view thereof;  
 FIG. 5 is a left side elevational view thereof;  
 FIG. 6 is a right side elevational view thereof;  
 FIG. 7 is a top plan view thereof;  
 FIG. 8 is a bottom plan view thereof;  
 FIG. 9 is a left side elevational view of the media unit as shown in FIG. 2;  
 FIG. 10 is a right side elevational view of the media unit as shown in FIG. 2; and,  
 FIG. 11 is a top plan view of the media unit as shown in FIG. 2.

**1 Claim, 4 Drawing Sheets**

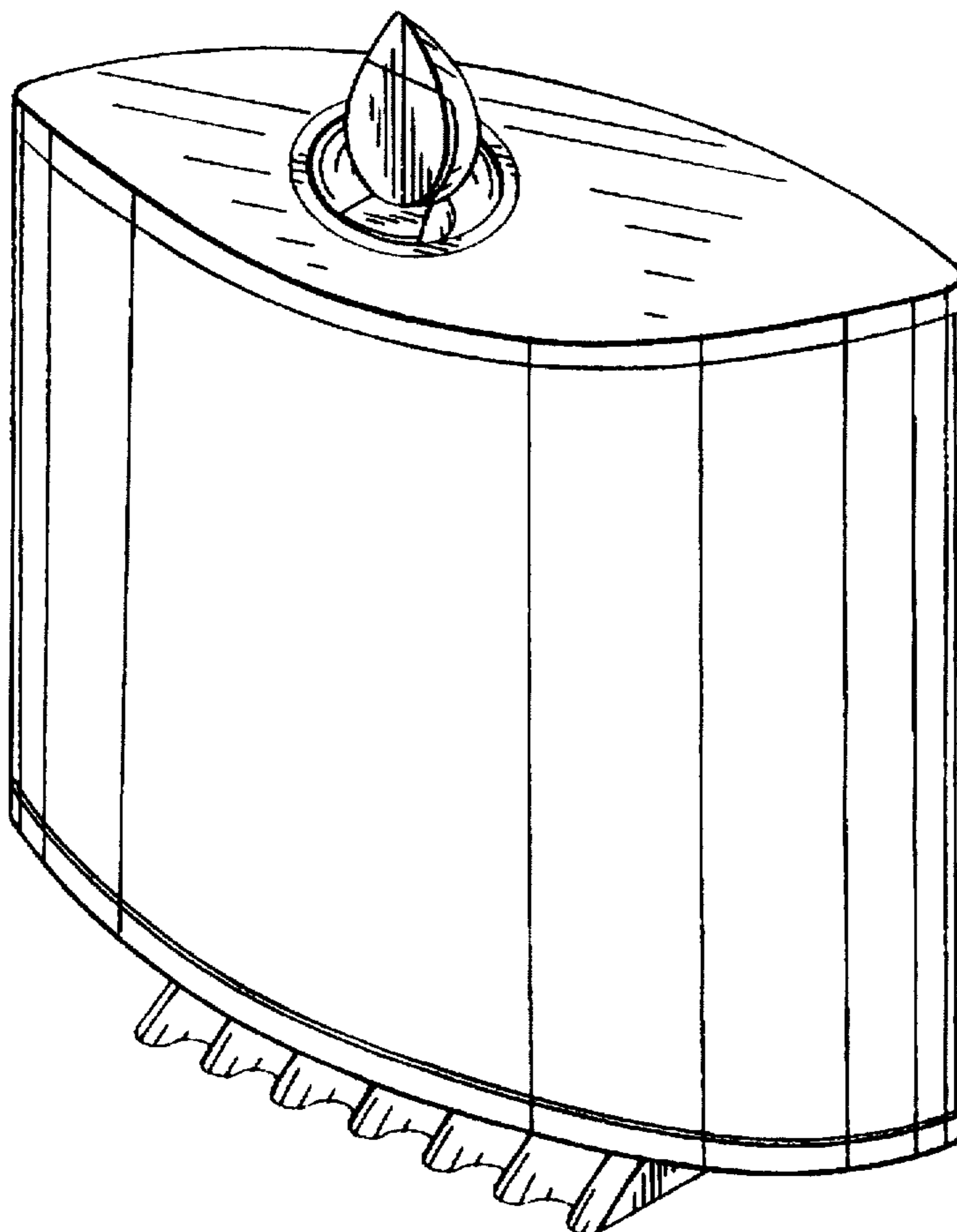


FIG. 1

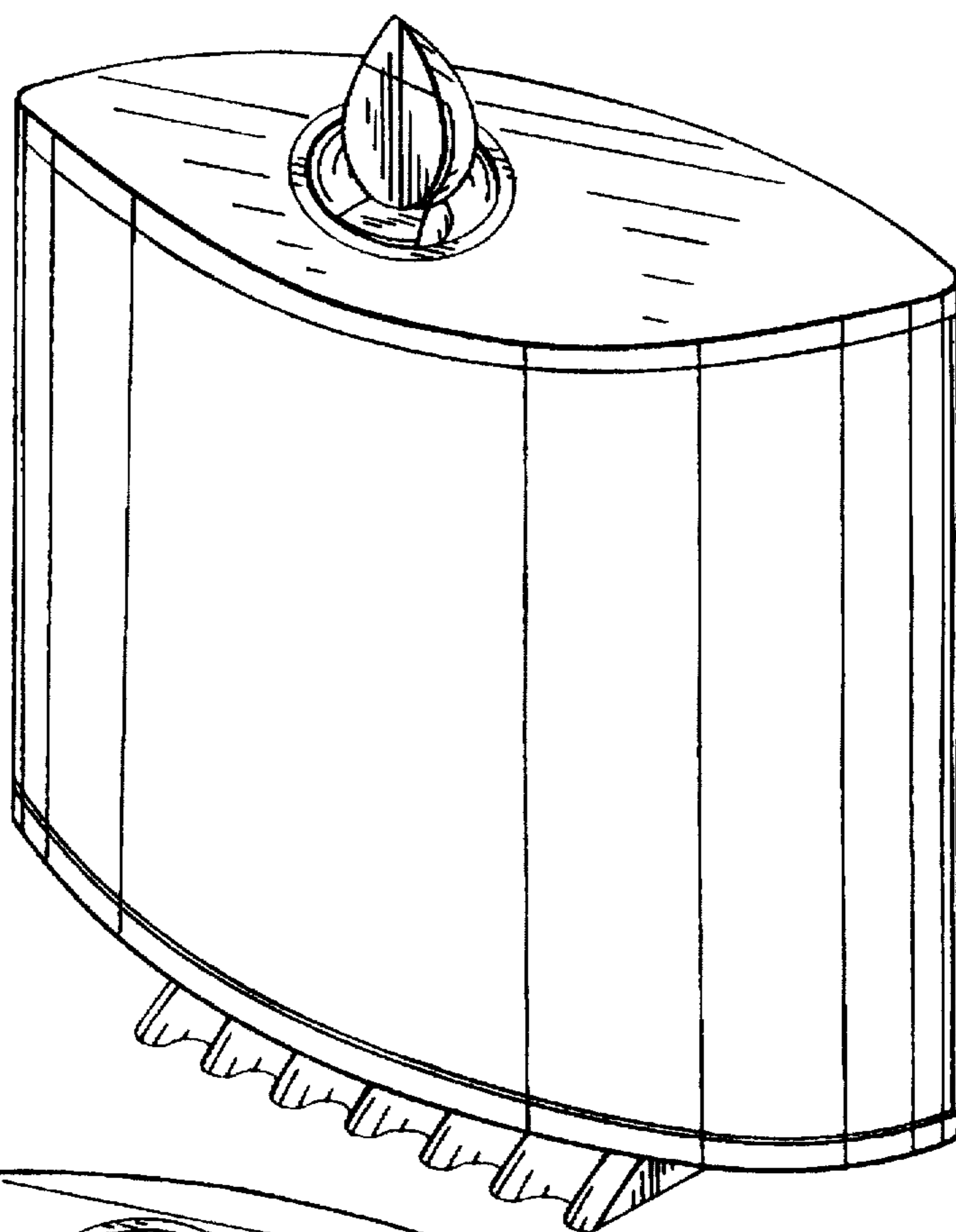


FIG. 2

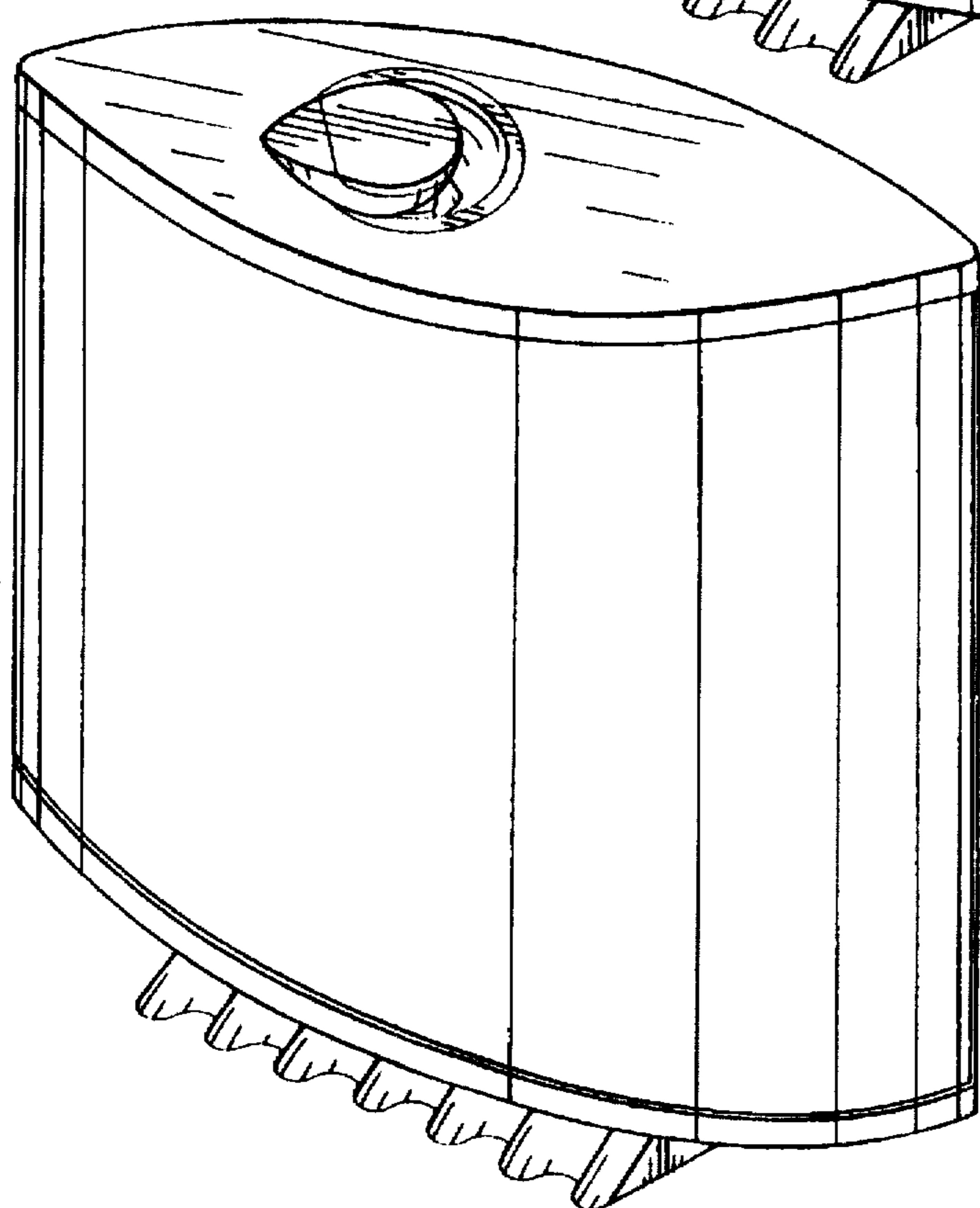


FIG. 3

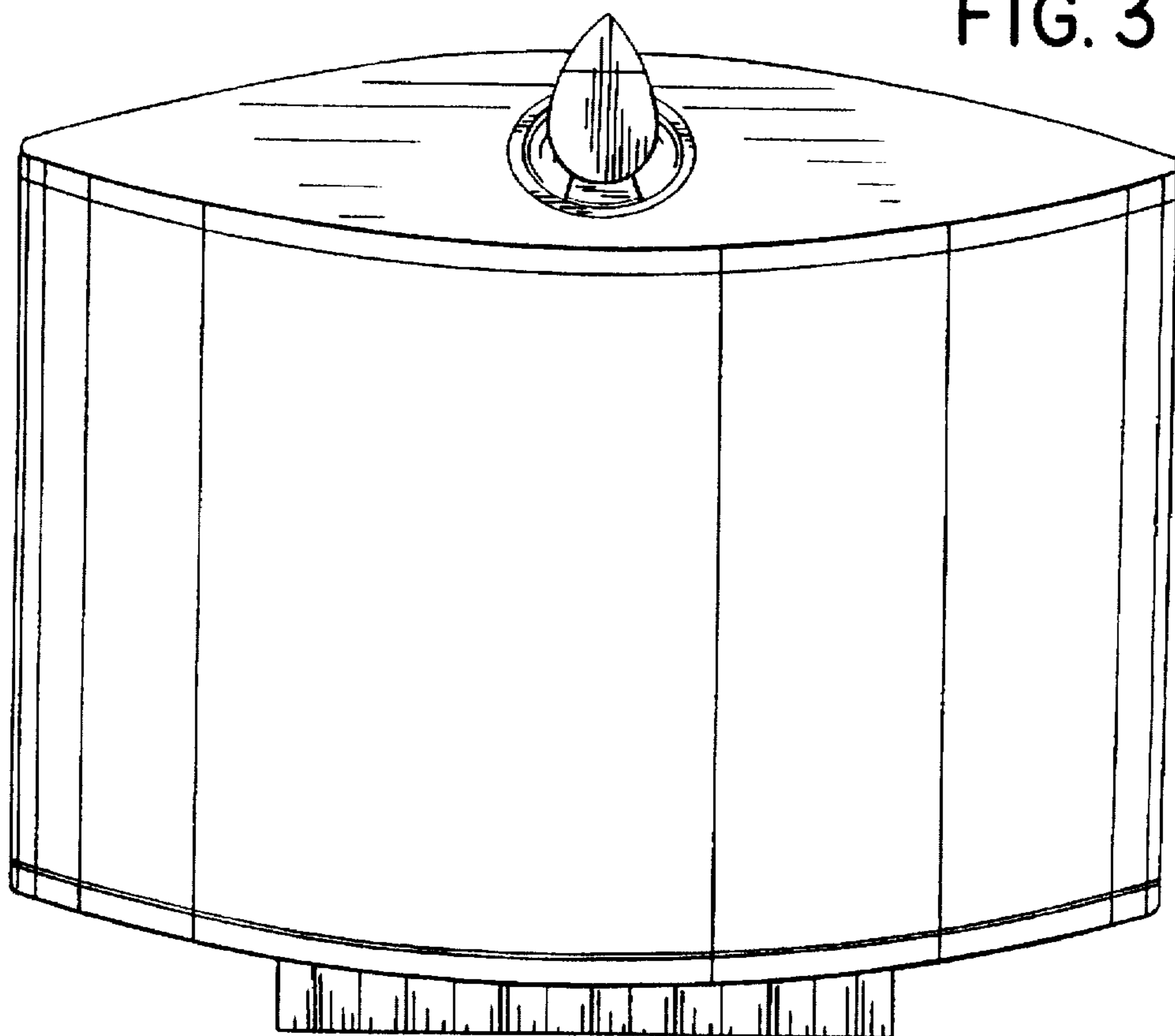


FIG. 4

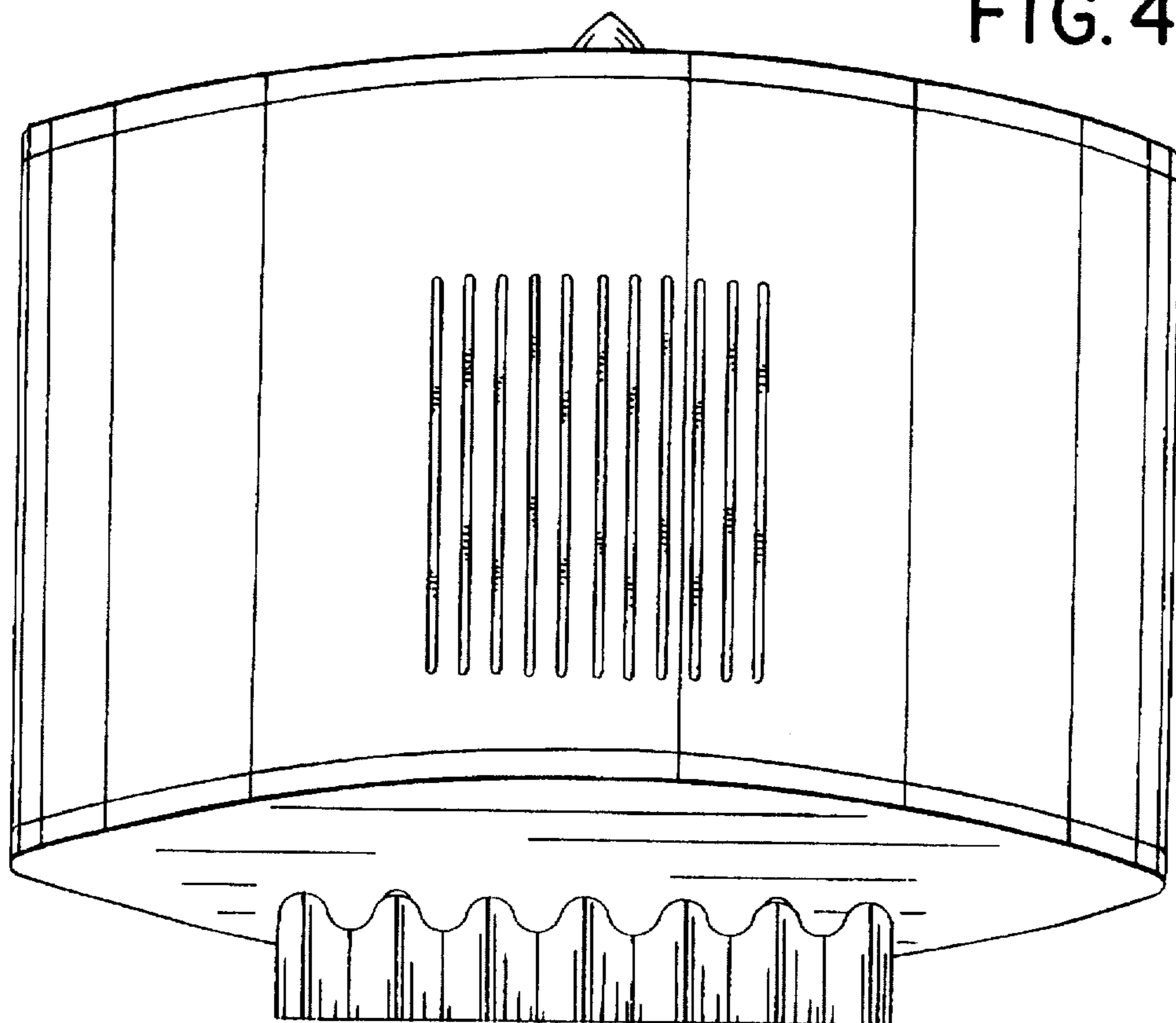


FIG. 5

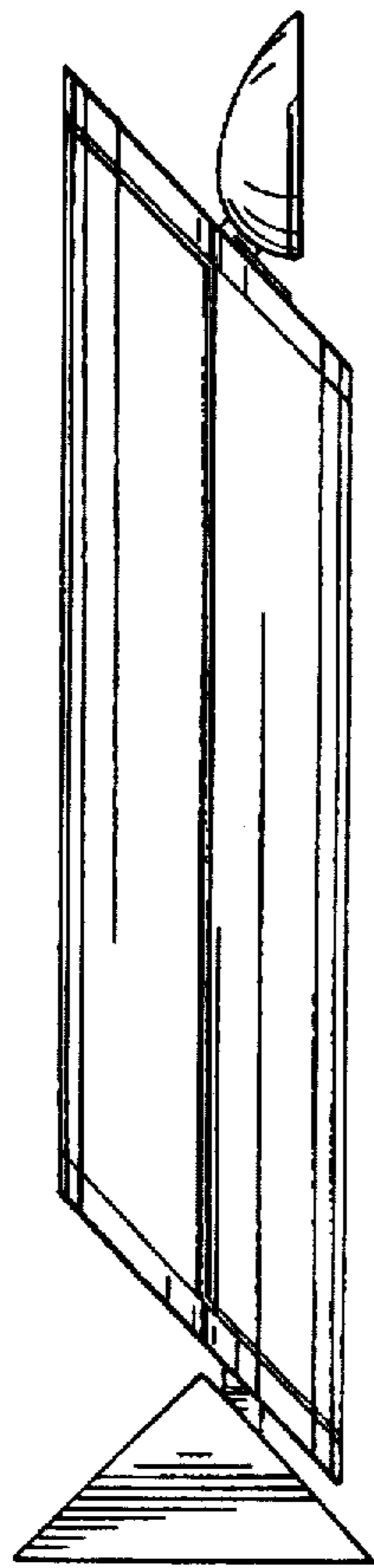


FIG. 6

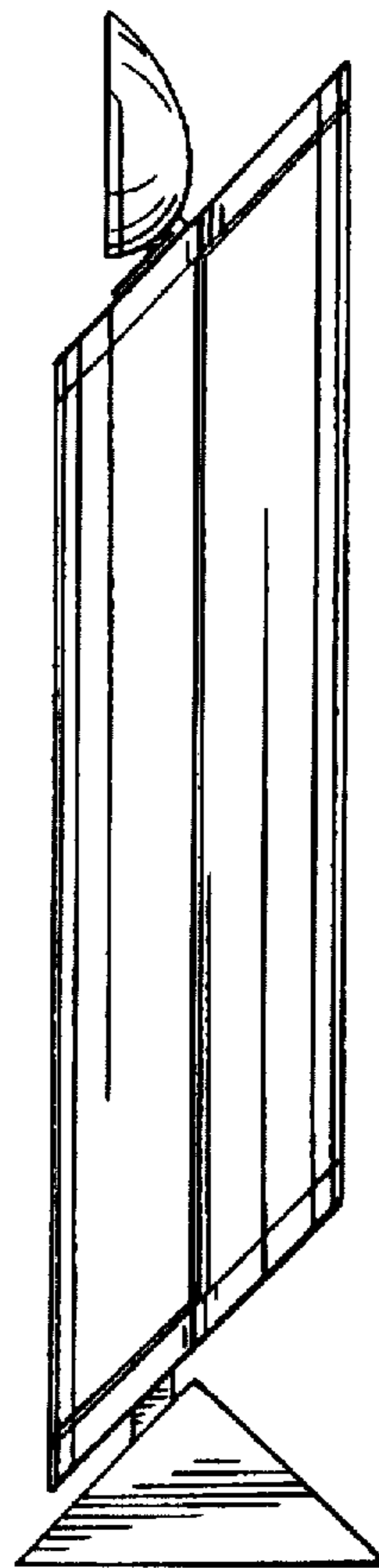


FIG. 7

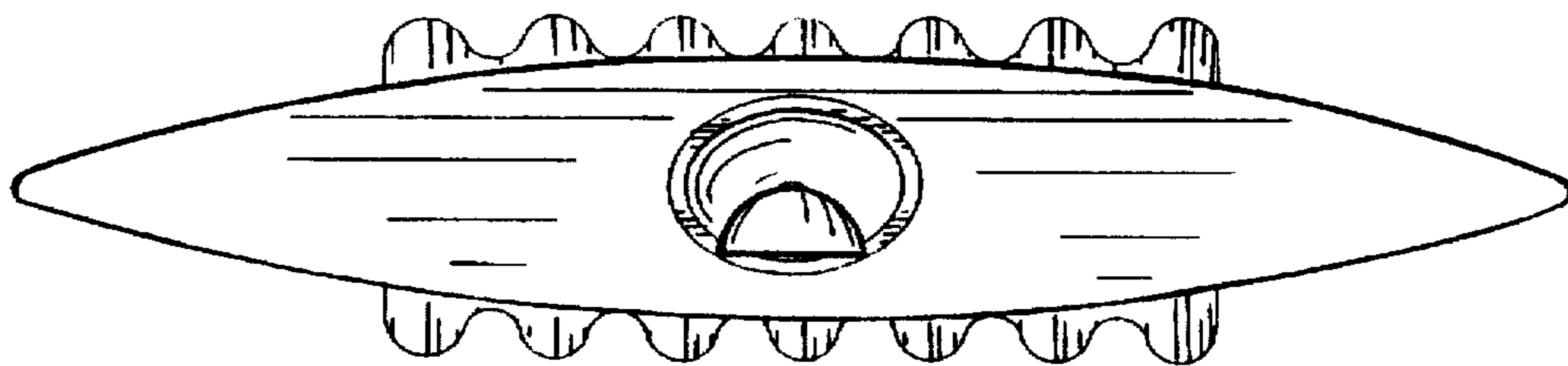


FIG. 8

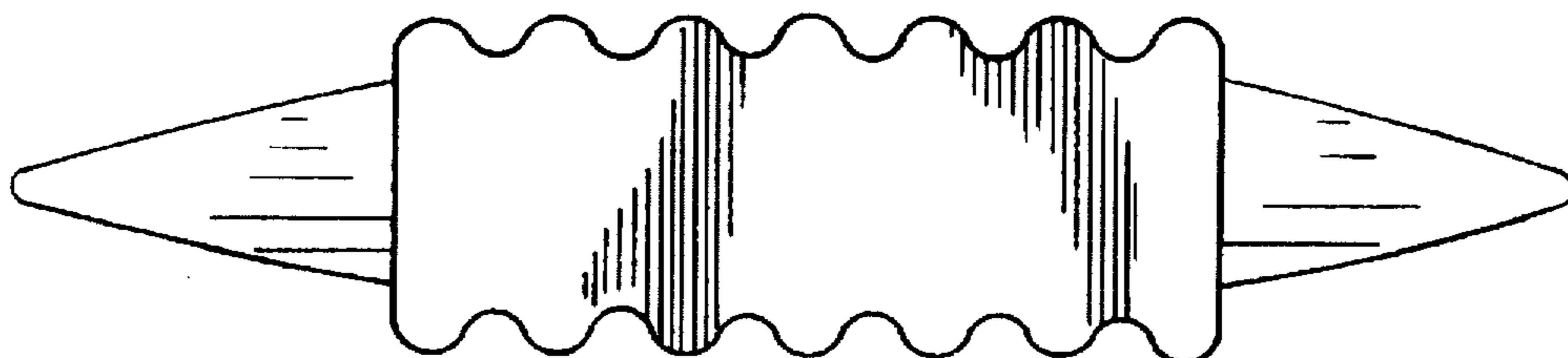


FIG. 9

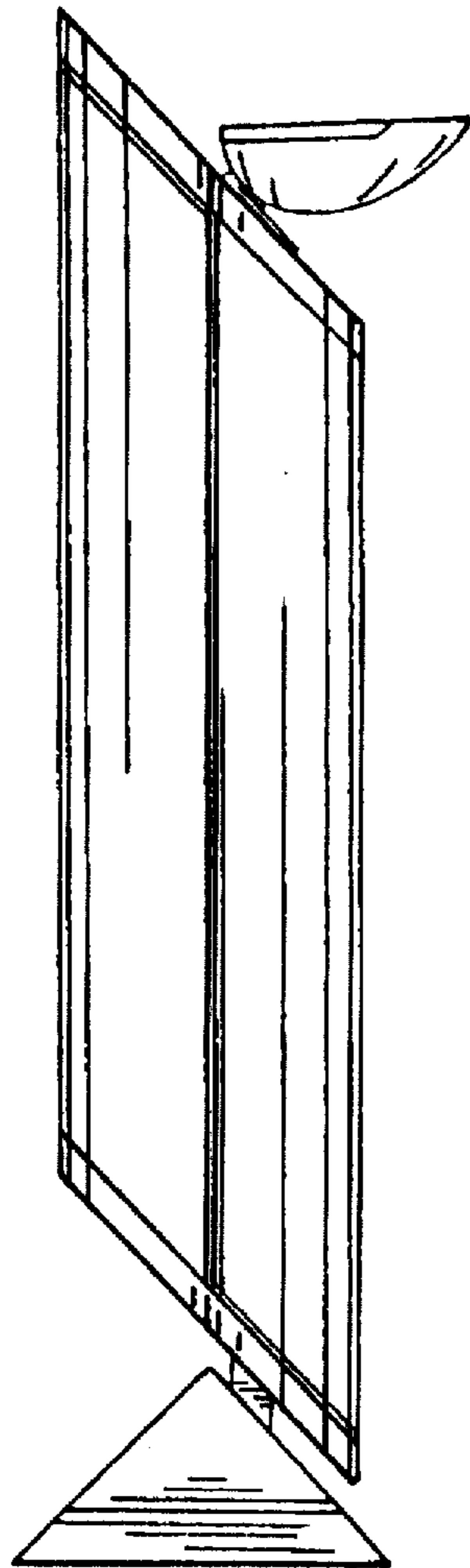


FIG. 10

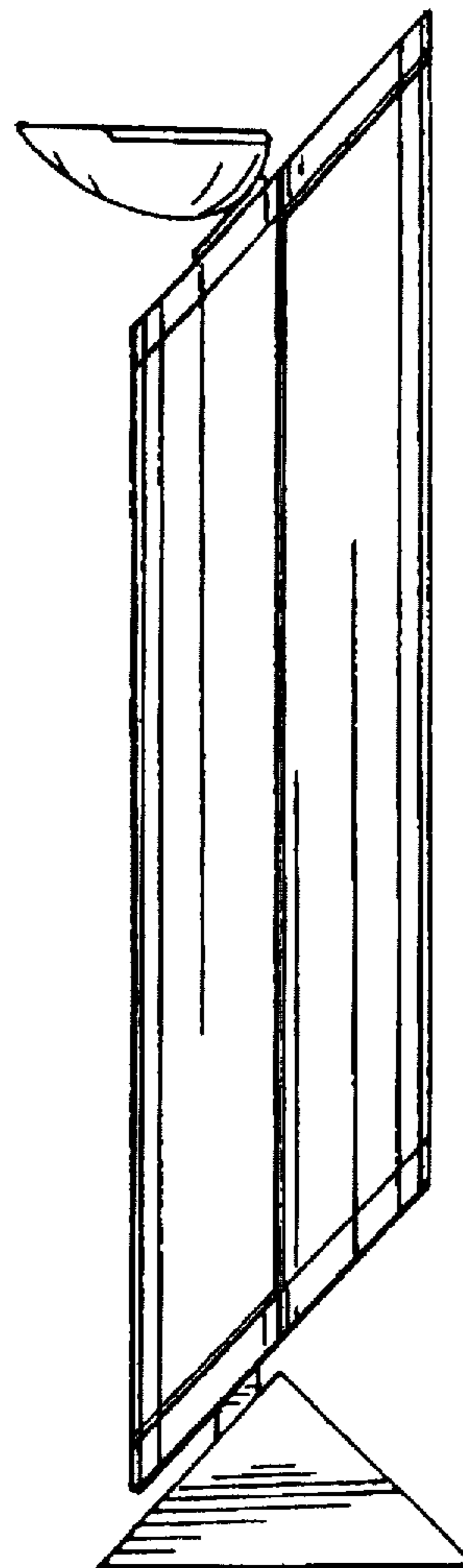


FIG. 11

