



US00D388092S

United States Patent [19] Coppola

[11] Patent Number: **Des. 388,092**

[45] Date of Patent: ****Dec. 23, 1997**

[54] **CONTRACTOR'S RADIO**

[76] Inventor: **Bruce E. Coppola**, 49 Rock Cut Rd.,
Newburgh, N.Y. 12550

[**] Term: **14 Years**

[21] Appl. No.: **43,002**

[22] Filed: **Aug. 23, 1995**

[51] LOC (6) CL **14-03**

[52] U.S. Cl. **D14/196; D14/198**

[58] Field of Search D14/188-198,
D14/257, 265; D21/111-113; 455/344,
347, 350, 351

[56] **References Cited**

U.S. PATENT DOCUMENTS

D. 87,360 4/1932 Rounds D14/189

D. 130,055 10/1941 Bates D14/189

D. 147,648 10/1947 Gallo D14/189
D. 288,218 2/1987 Bedell et al. D21/113

Primary Examiner—Sandra L. Morris
Assistant Examiner—Nanda Bondade
Attorney, Agent, or Firm—Joseph L. Spiegel

[57] CLAIM

The ornamental design for a contractor's radio, as shown.

DESCRIPTION

FIG. 1 is a perspective view of a contractor's radio showing my new design;

FIG. 2 is a front elevational view thereof;

FIG. 3 is a right-side elevational view thereof;

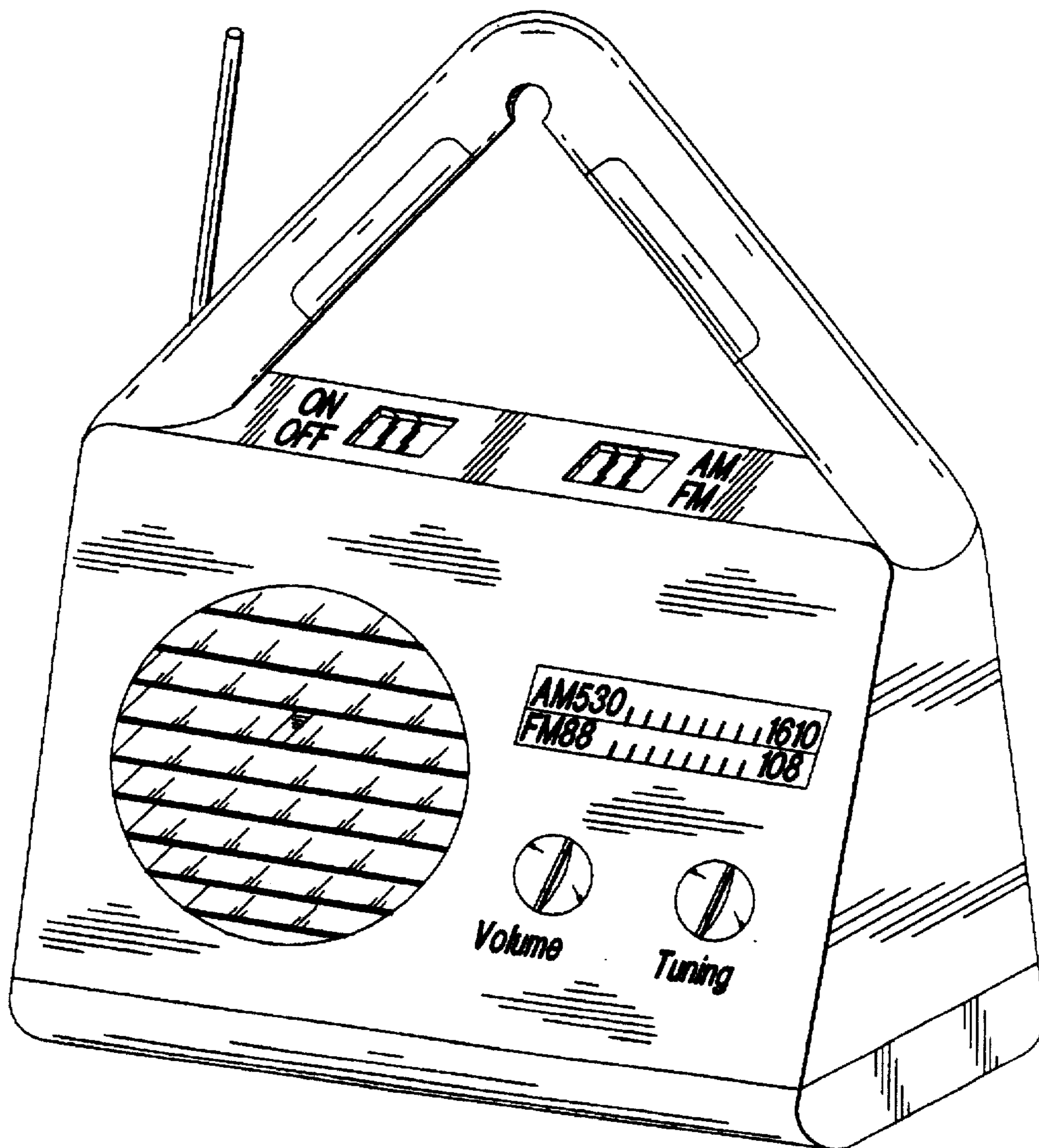
FIG. 4 is a left-side elevational view thereof;

FIG. 5 is a top plan view thereof;

FIG. 6 is a bottom plan view thereof; and,

FIG. 7 is a rear elevational view thereof.

1 Claim, 4 Drawing Sheets



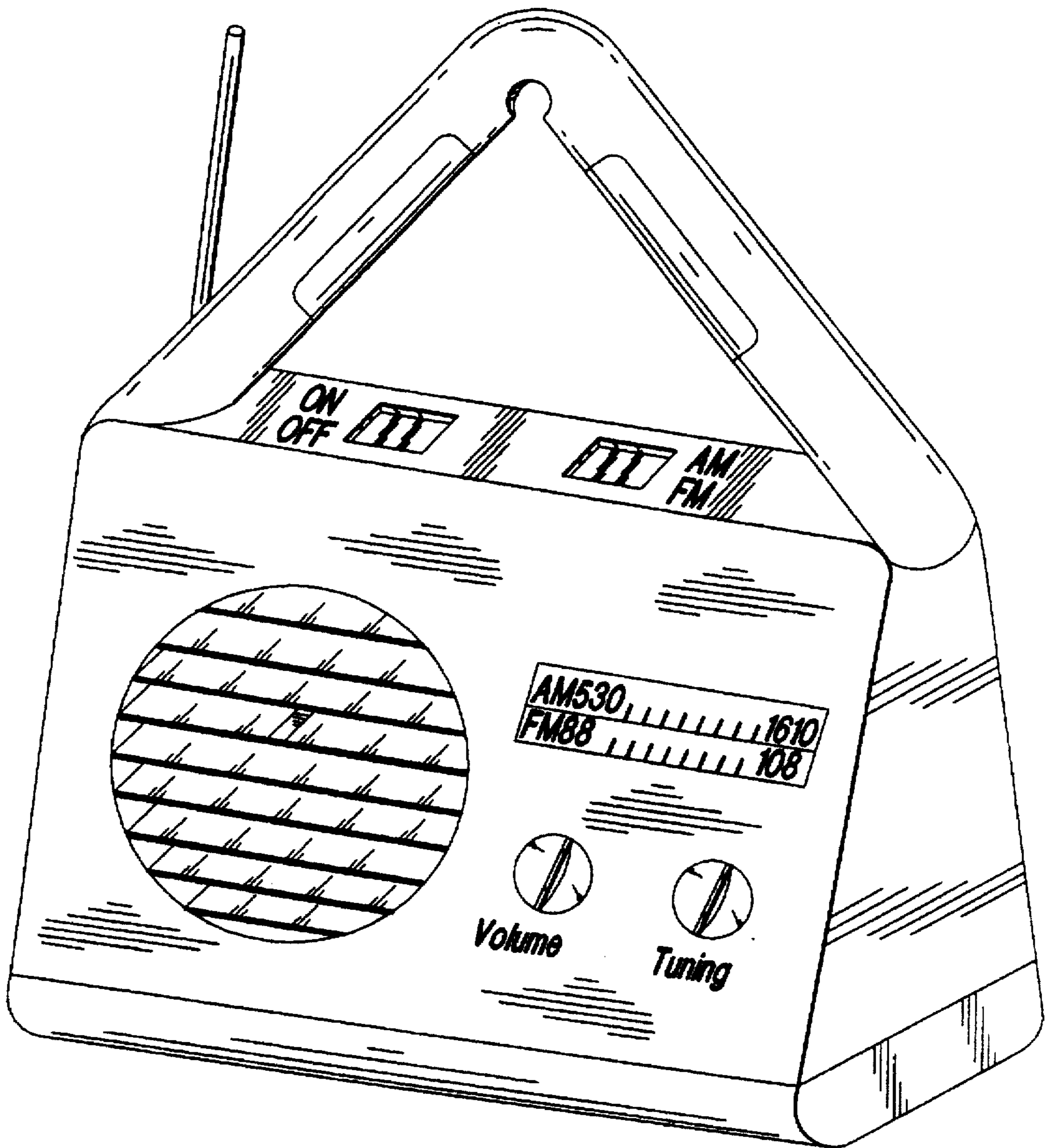


FIG. 1

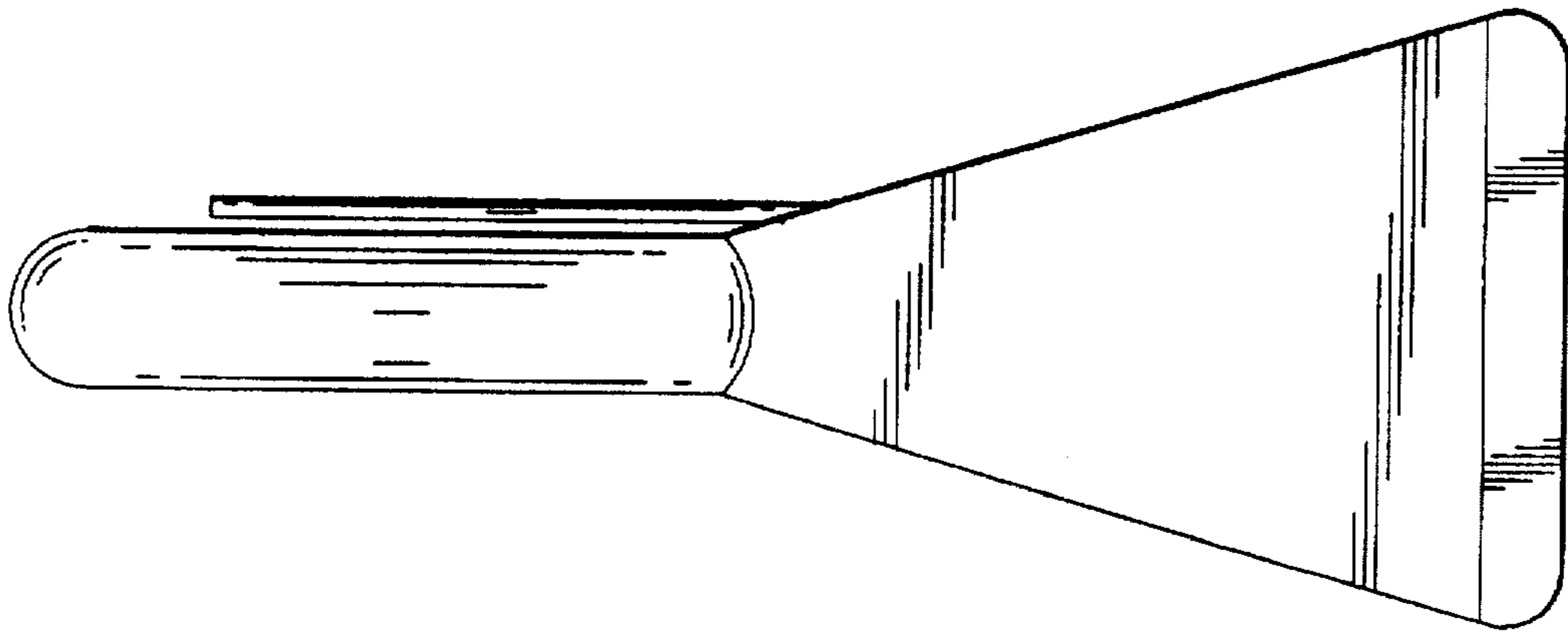


FIG. 4

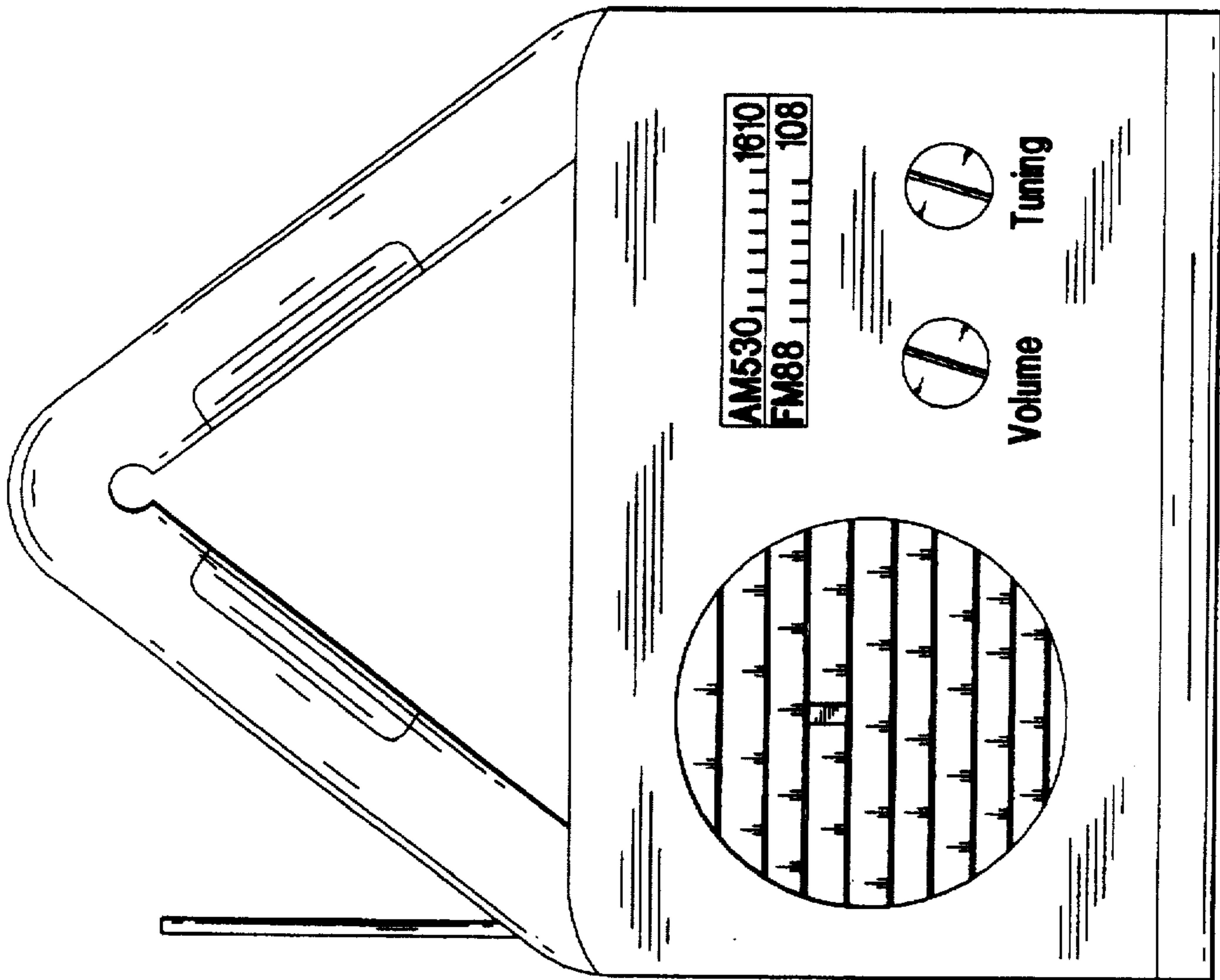


FIG. 2

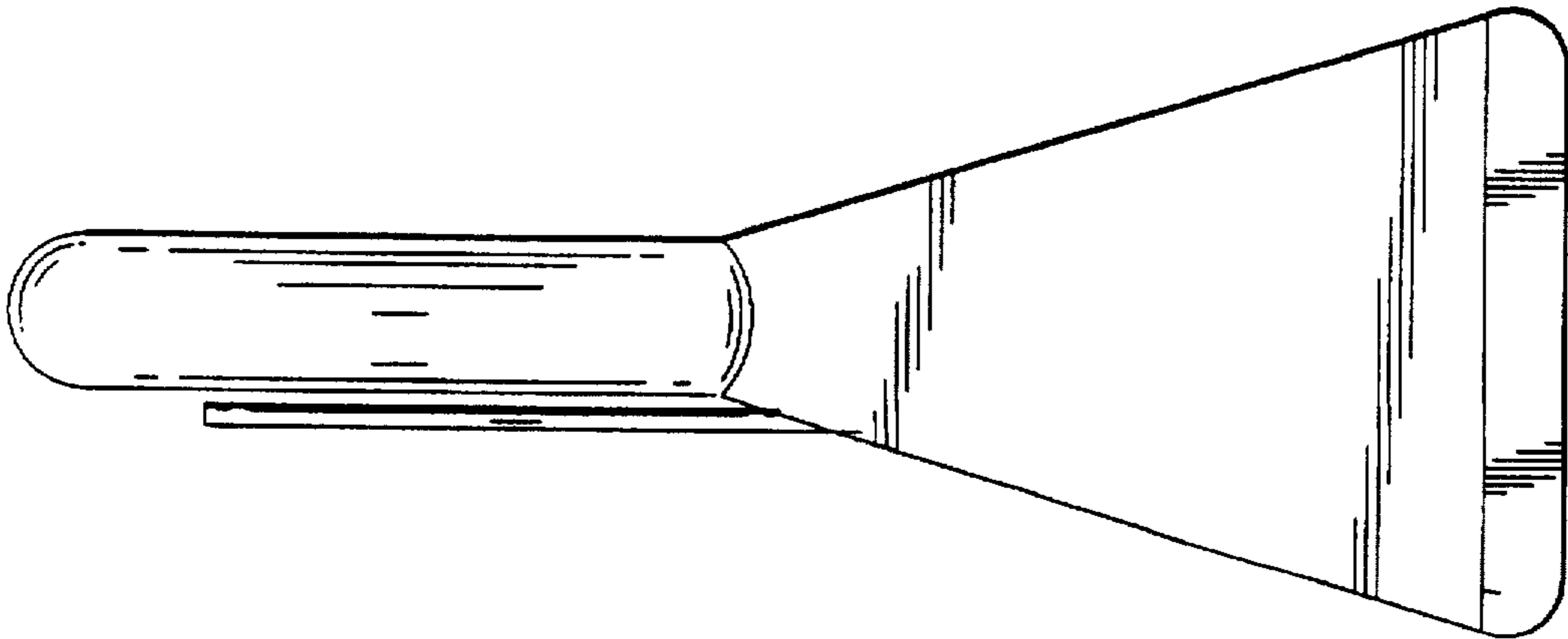


FIG. 3

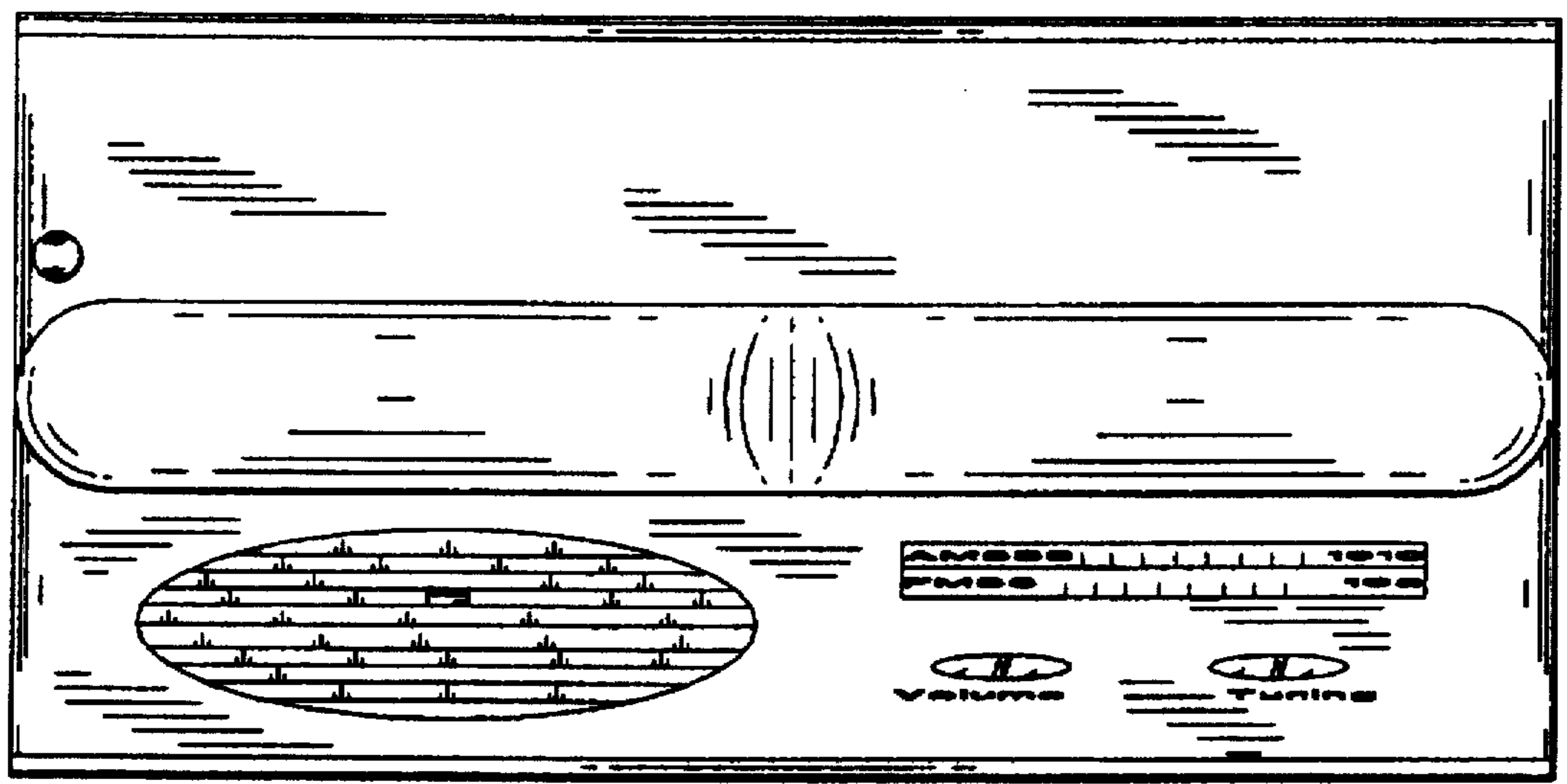


FIG. 5

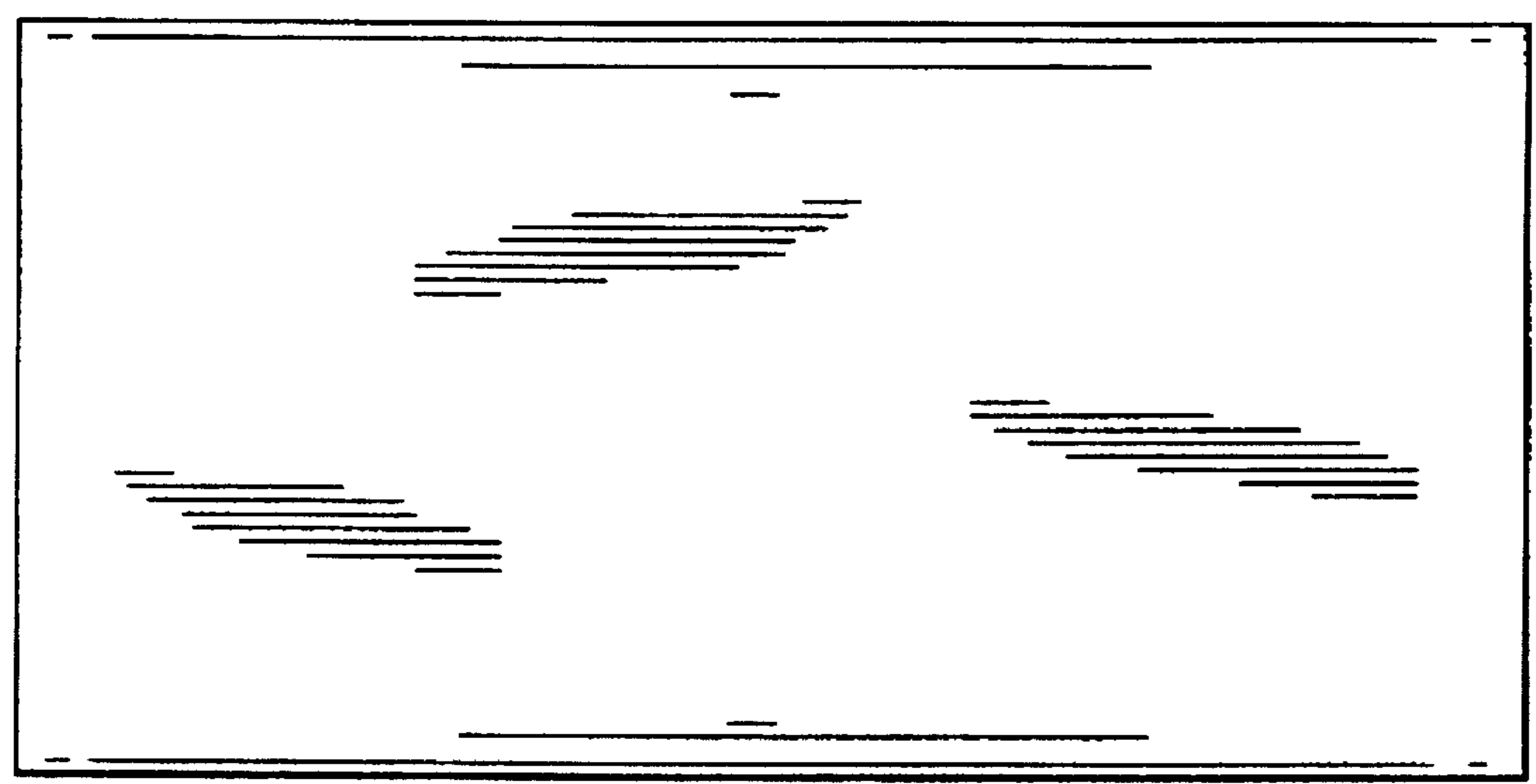


FIG. 6

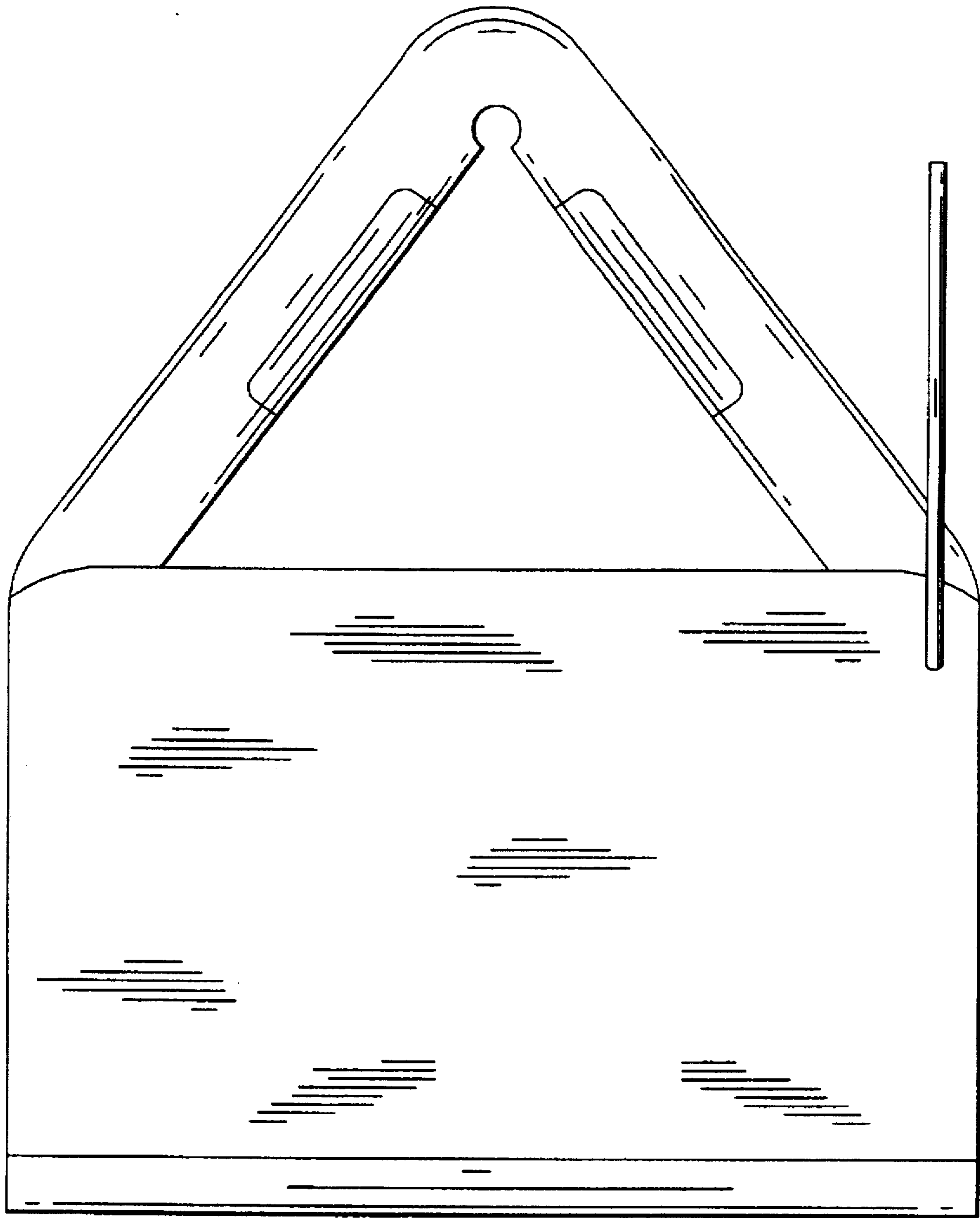


FIG. 7