



US00D388091S

# United States Patent [19]

Lee et al.

[11] Patent Number: **Des. 388,091**

[45] Date of Patent: **\*\*Dec. 23, 1997**

[54] **COMBINED DISPLAY AND BUTTON FOR PORTABLE COMMUNICATION RECEIVER**

[75] Inventors: **Craig Allen Lee; Donald Charles Guthan, Jr.**, both of Boynton Beach, Fla.

[73] Assignee: **Motorola, Inc.**, Schaumburg, Ill.

[\*\*] Term: **14 Years**

[21] Appl. No.: **60,332**

[22] Filed: **Sep. 26, 1996**

[51] **LOC (6) Cl.** ..... **14-03**

[52] **U.S. Cl.** ..... **D14/191**

[58] **Field of Search** ..... D14/124, 143, D14/188, 191, 192, 247, 299; D10/46, 46.1, 94; D21/13, 27, 48; 116/202, 222-225, 234, 286; 340/311.1; 455/90, 92, 100, 128, 344

[56] **References Cited**

**U.S. PATENT DOCUMENTS**

- D. 259,265 5/1981 Heuel et al. .... D21/13
- D. 262,718 1/1982 Dweck ..... D21/13
- D. 264,228 5/1982 Hanzawa ..... D21/13

- D. 264,355 5/1982 Hanazawa ..... D21/13
- D. 305,429 1/1990 Berkheij ..... D14/191
- D. 332,804 1/1993 Li ..... D21/13
- 3,755,939 9/1973 Denega et al. .... D10/46.1 X

*Primary Examiner*—Sandra L. Morris  
*Assistant Examiner*—Nanda Bondade

[57] **CLAIM**

The ornamental design for a combined display and button for portable communication receiver, as shown and described.

**DESCRIPTION**

FIG. 1 is a front elevational view of a combined display and button for portable communication receiver showing our new design;

FIG. 2 is a bottom plan view thereof;

FIG. 3 is a top plan view thereof;

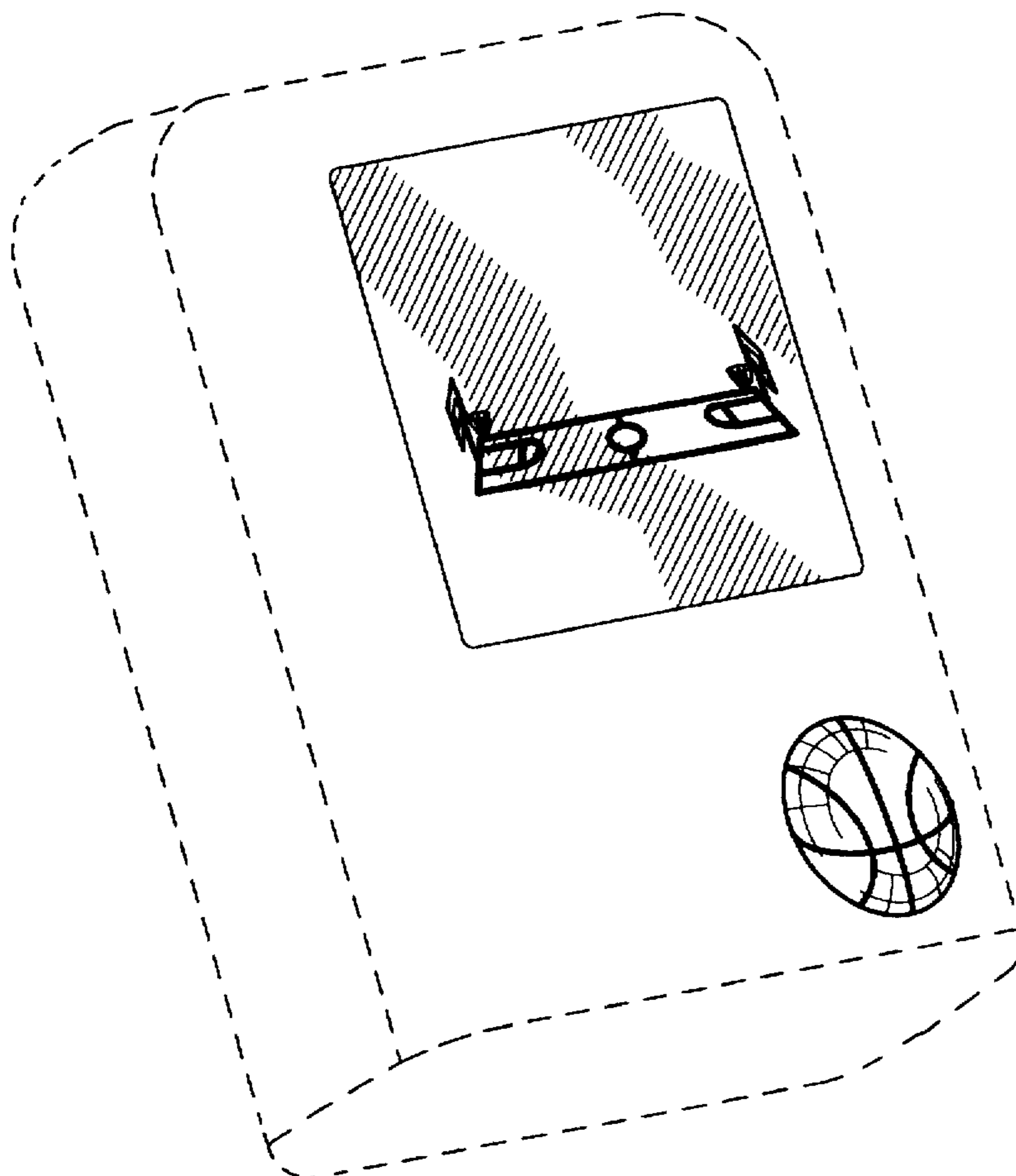
FIG. 4 is a left side elevational view thereof;

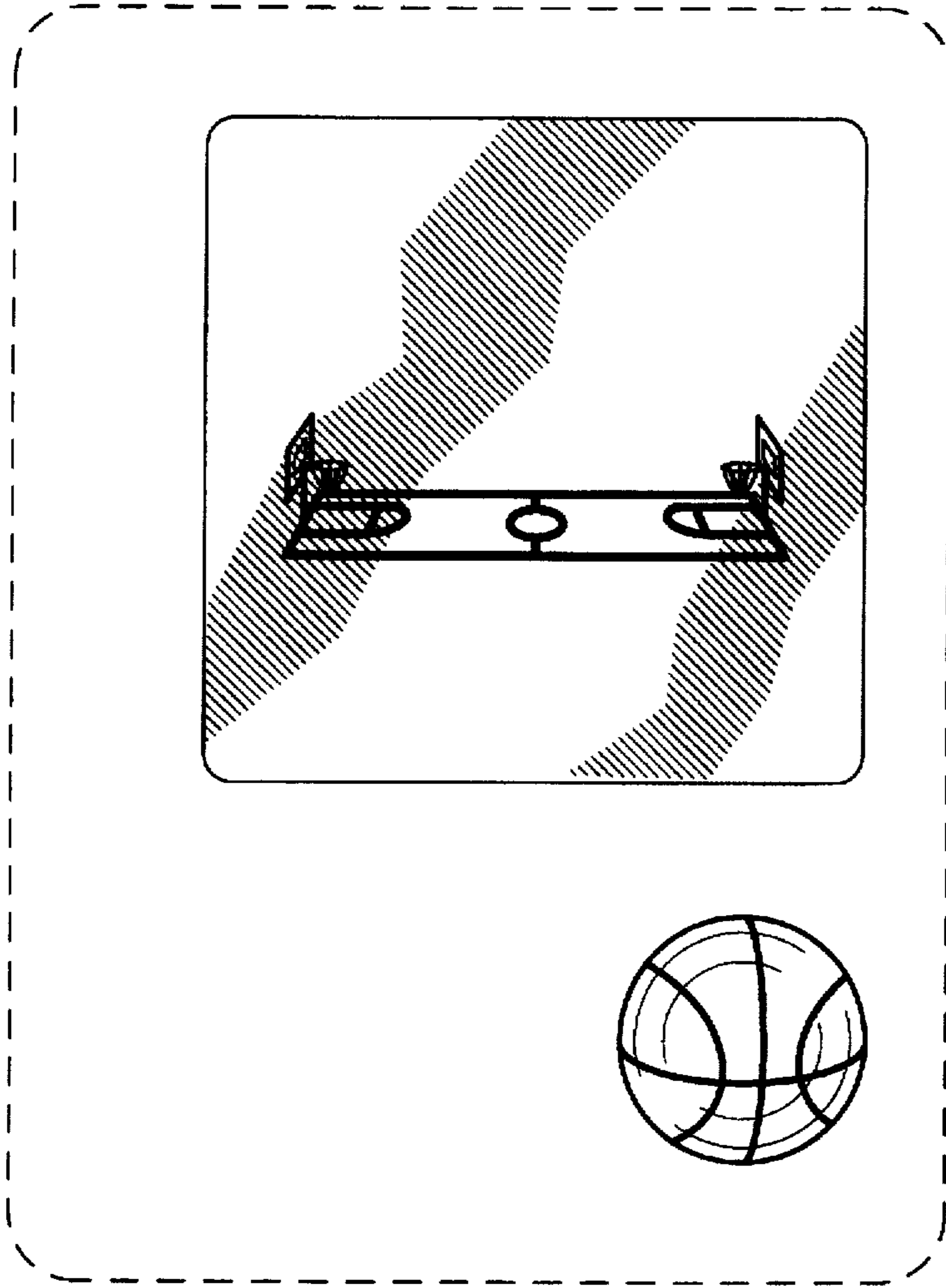
FIG. 5 is a right side elevational view thereof; and,

FIG. 6 is a front, left side and bottom perspective view thereof.

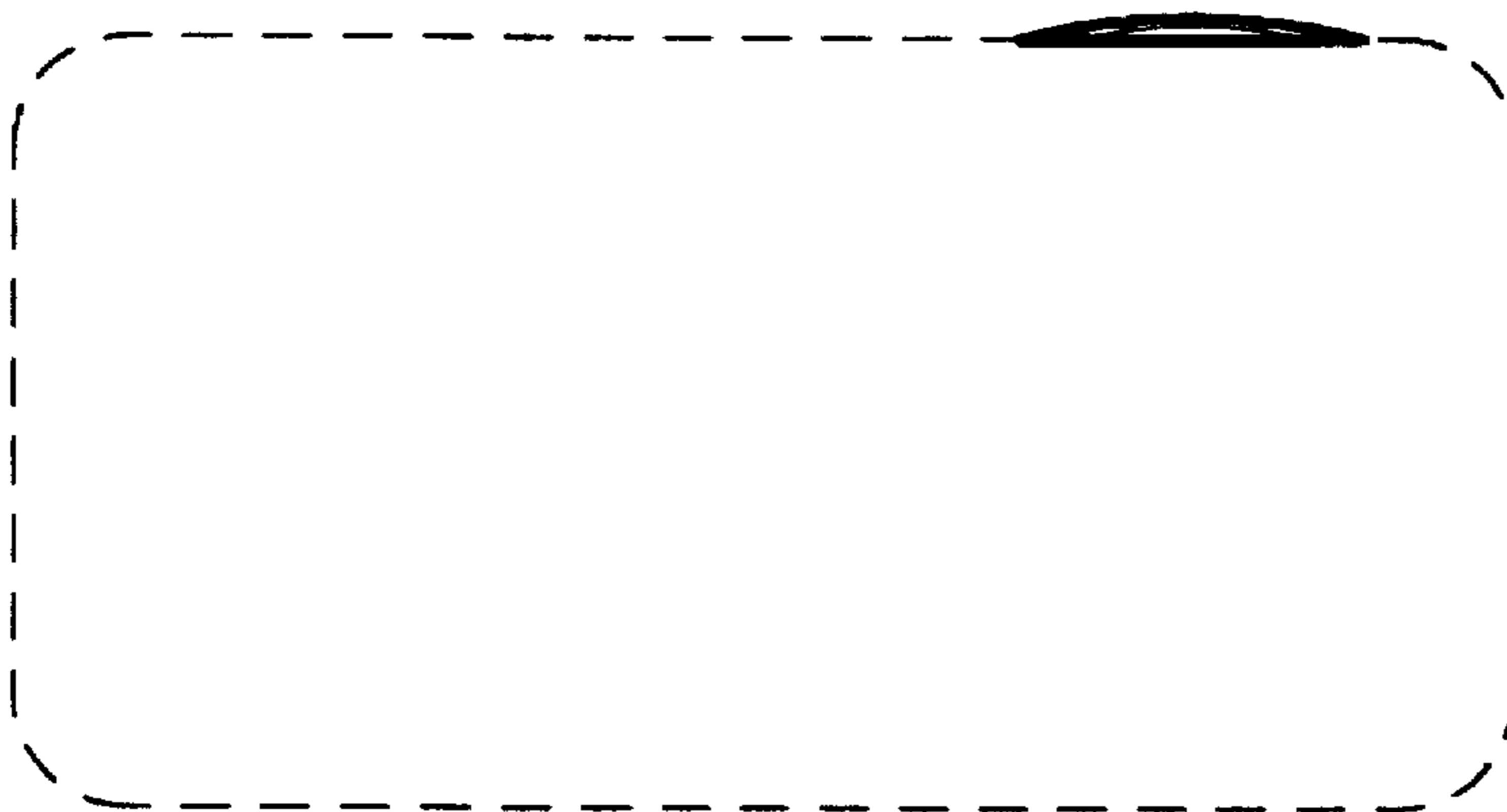
The broken lines showing a portable communications receiver environment in FIGS. 1-6 are for illustrative purposes only and form no part of the claimed design.

**1 Claim, 4 Drawing Sheets**

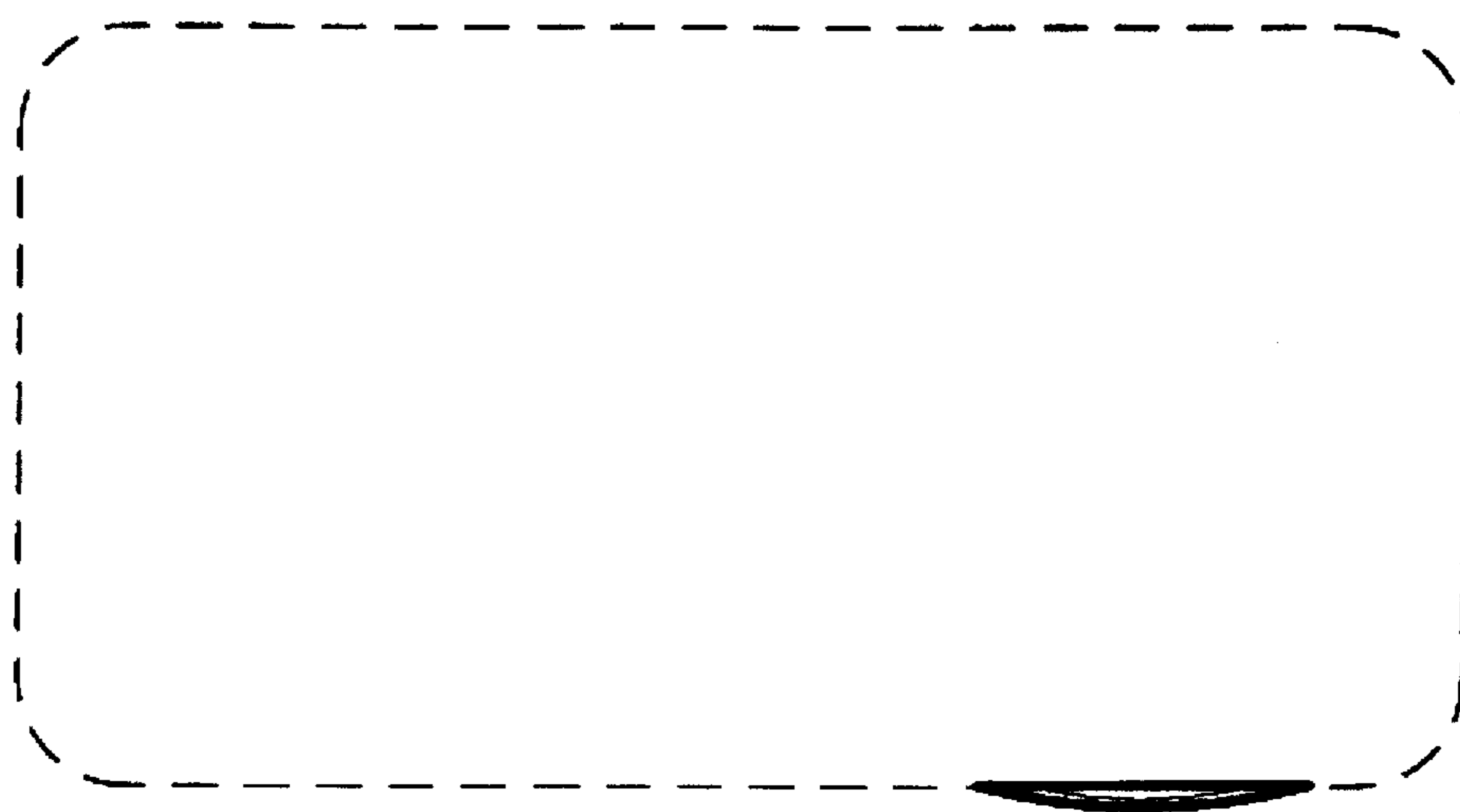




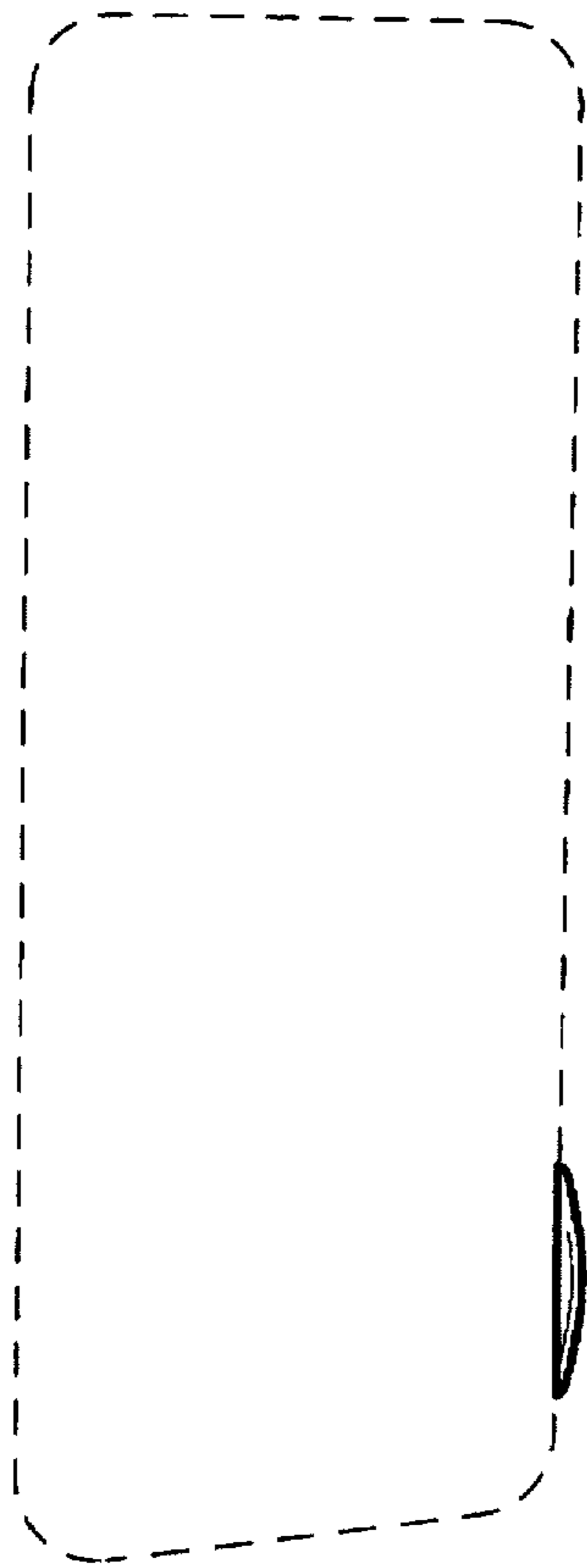
*FIG. 1*



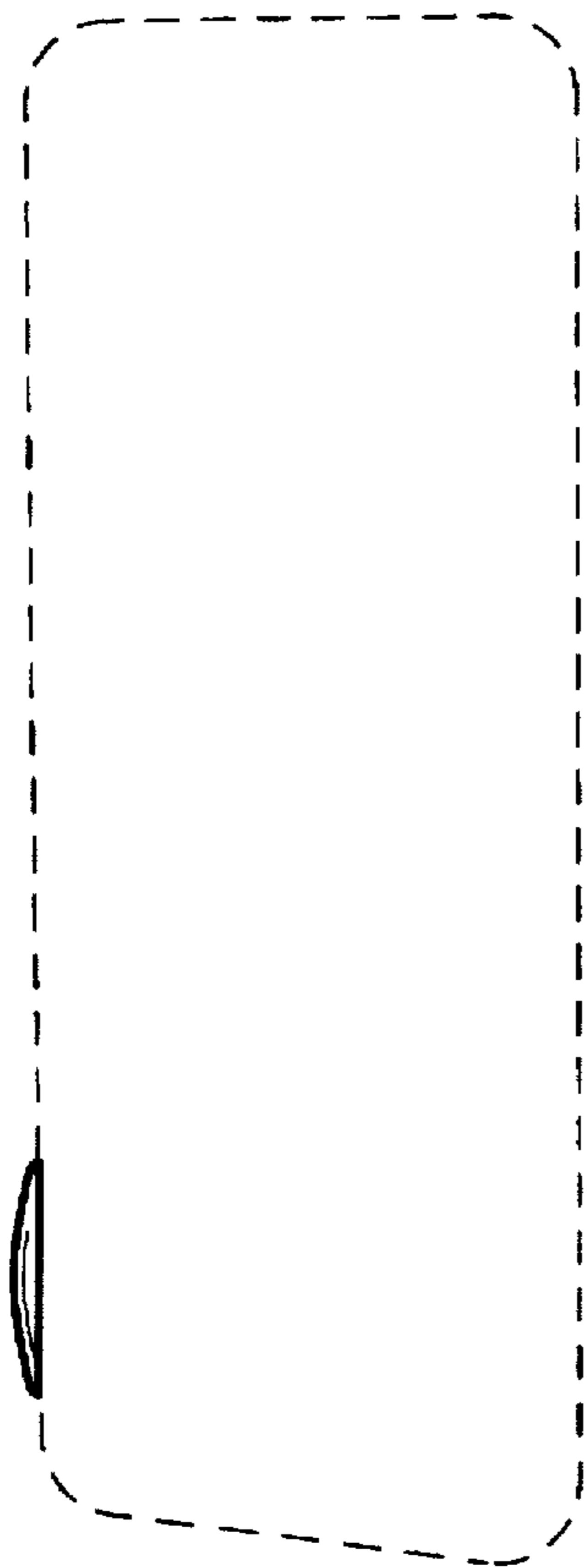
*FIG. 2*



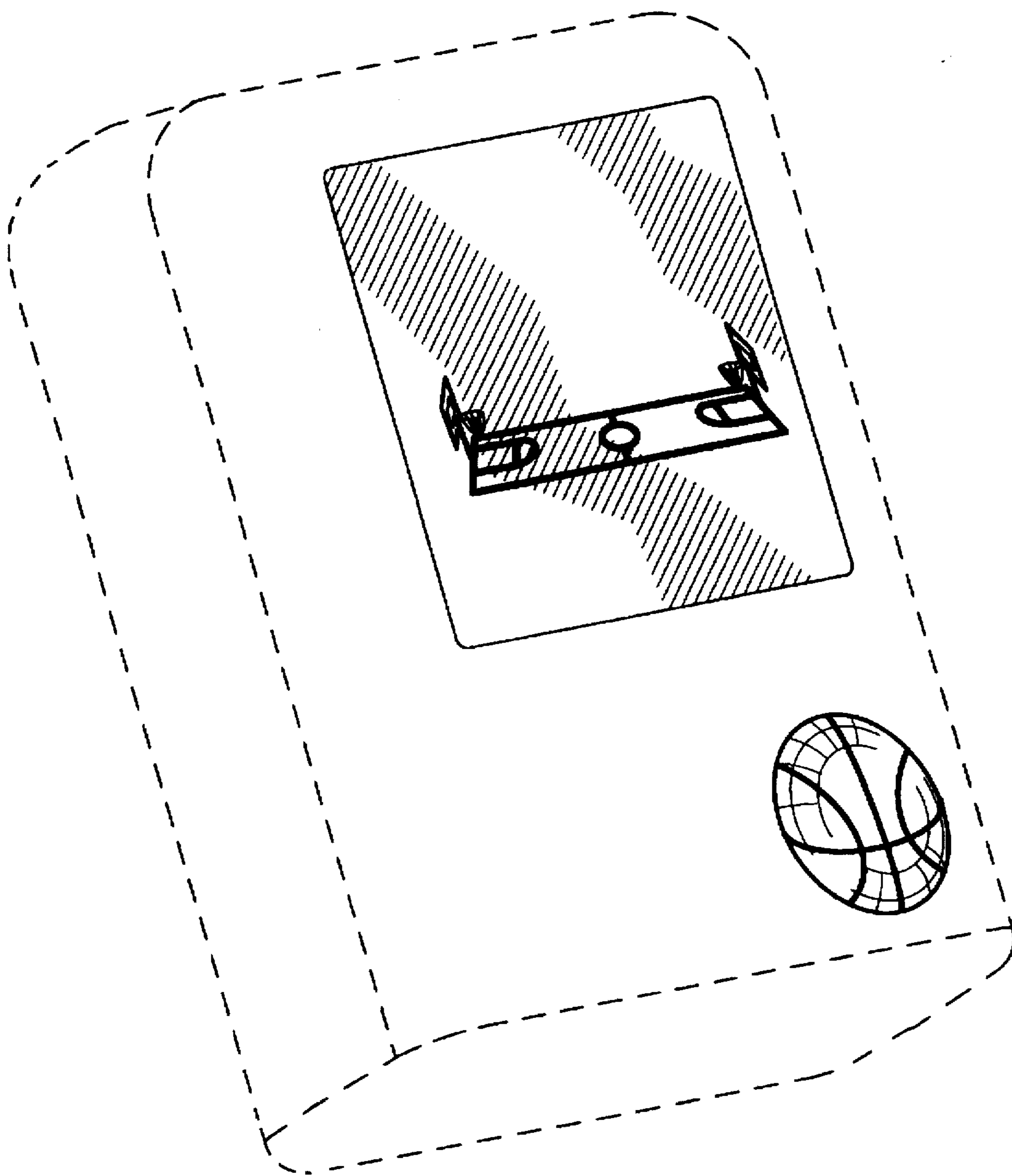
*FIG. 3*



*FIG. 4*



*FIG. 5*



***FIG. 6***