



US00D388089S

# United States Patent [19]

Komamiya et al.

[11] Patent Number: Des. 388,089

[45] Date of Patent: \*\*Dec. 23, 1997

[54] PAGER

D. 352,286 11/1994 Scheid et al. .... D14/191  
D. 353,594 12/1994 Kawano et al. .... D14/191

[75] Inventors: **Yuko Komamiya; Mikiro Ichijima; Toshiro Iizuka**, all of Kanagawa, Japan

### OTHER PUBLICATIONS

Leaflet—Link, published prior to Nov. 1, 1994, 2 pages.  
Leaflet—Telemassage published prior to Nov. 1, 1994, 1 page.  
Leaflet—Bell Atlantic Mobile Systems published prior to Nov. 1, 1994, 2 pages.

[73] Assignee: **Matsushita Electric Industrial Co., Ltd.**, Osaka, Japan

*Primary Examiner*—Sandra L. Morris  
*Assistant Examiner*—Nanda Bondade  
*Attorney, Agent, or Firm*—Sughrue, Mion, Zinn, Macpeak & Seas

[\*\*] Term: **14 Years**

[21] Appl. No.: **38,224**

[22] Filed: **May 1, 1995**

### [30] Foreign Application Priority Data

Nov. 1, 1994 [JP] Japan ..... 6-33435

### [57] CLAIM

The ornamental design for a pager, as shown.

[51] LOC (6) Cl. .... **14-03**

[52] U.S. Cl. .... **D14/191**

[58] Field of Search ..... D14/124, 188,  
D14/191, 192, 299; 340/311.1; 455/38.1-38.4,  
90, 92, 100, 128, 344

### DESCRIPTION

FIG. 1 is a perspective view of the bottom, front and right side of a pager showing our new design; FIG. 2 is a front elevational view thereof; FIG. 3 is a top plan view thereof; FIG. 4 is a left side elevational view thereof; FIG. 5 is a right side elevational view thereof; FIG. 6 is a rear elevational view thereof; and FIG. 7 is a bottom plan view thereof.

### [56] References Cited

#### U.S. PATENT DOCUMENTS

D. 325,913 5/1992 Takahashi et al. .... D14/191  
D. 338,465 8/1993 Hayasaka et al. .... D14/191  
D. 346,167 4/1994 Hyvönen ..... D14/191

**1 Claim, 3 Drawing Sheets**

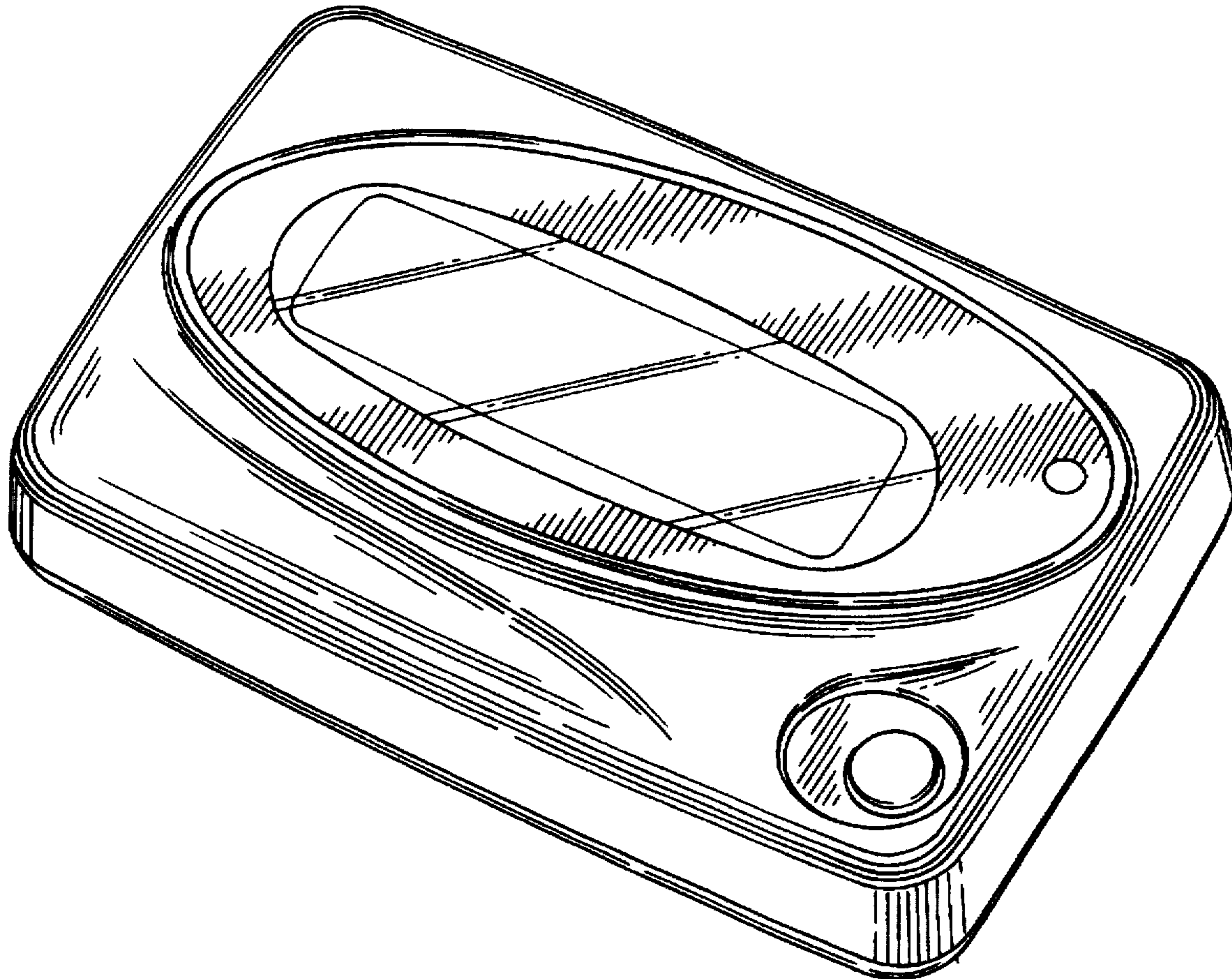


FIG. 1

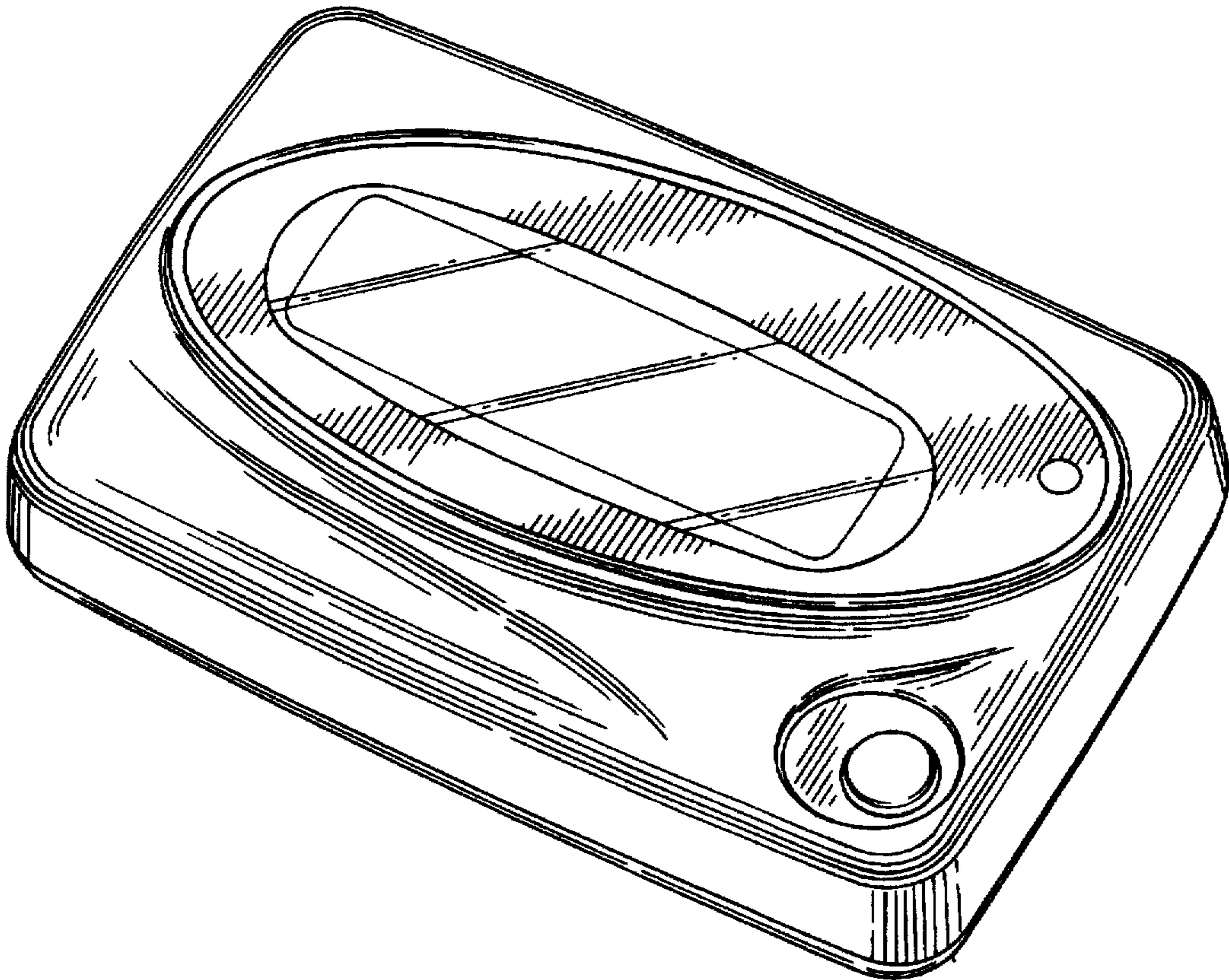
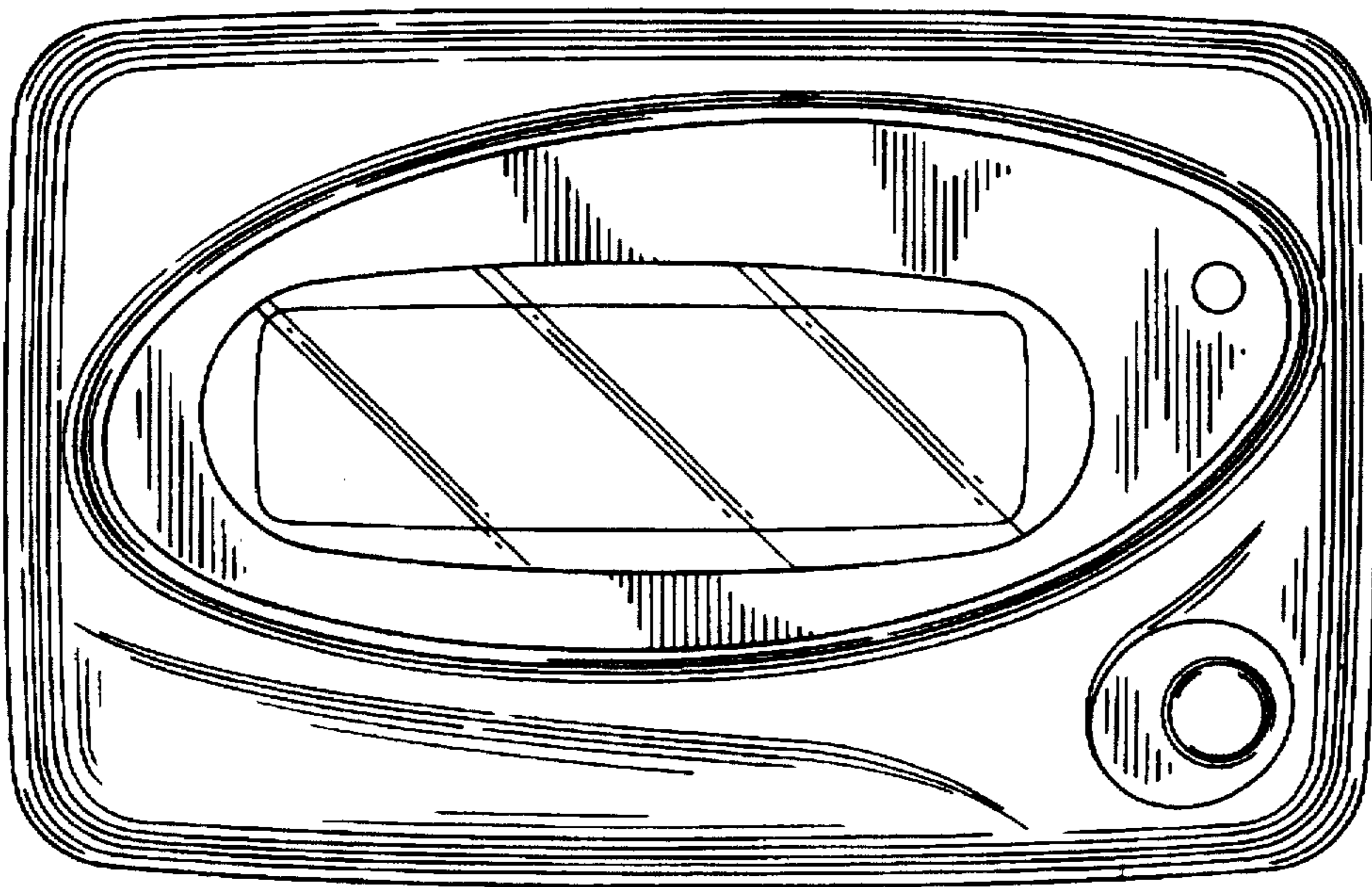
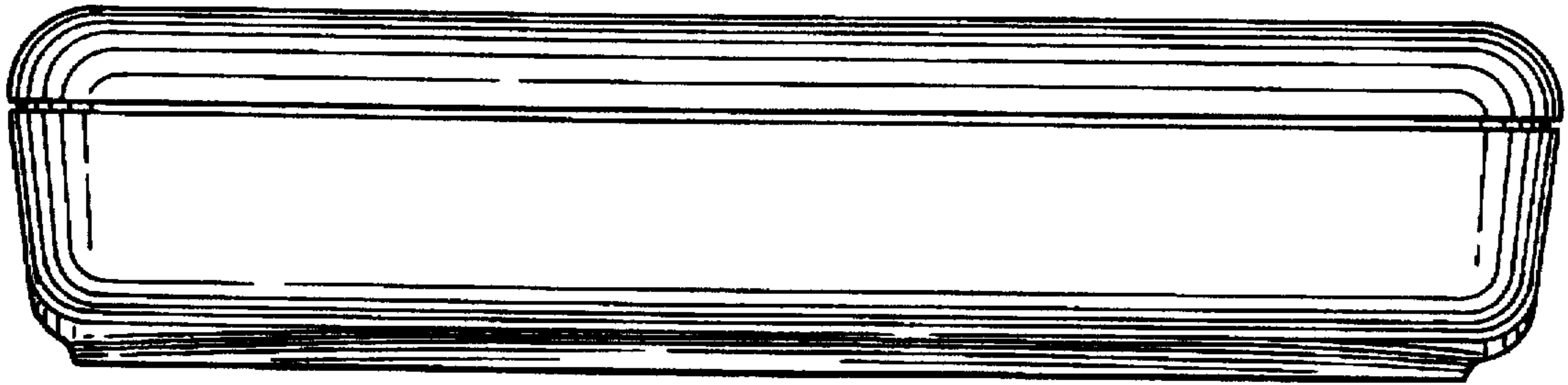


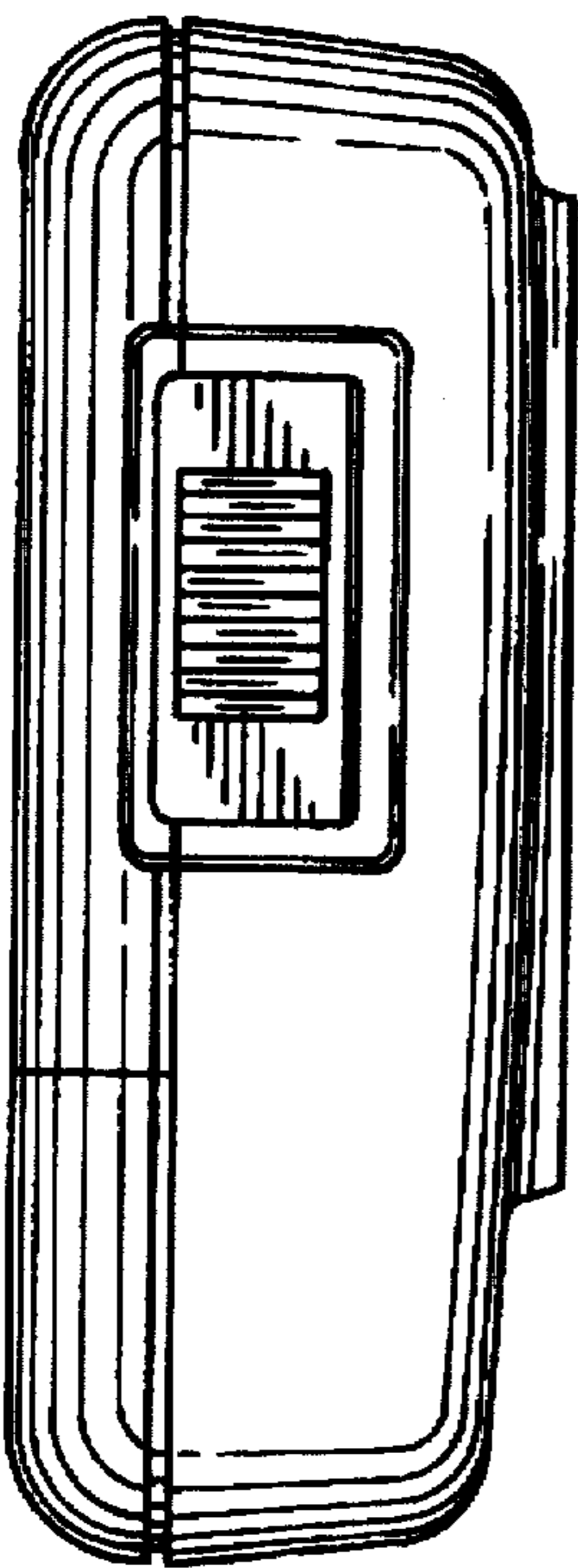
FIG. 2



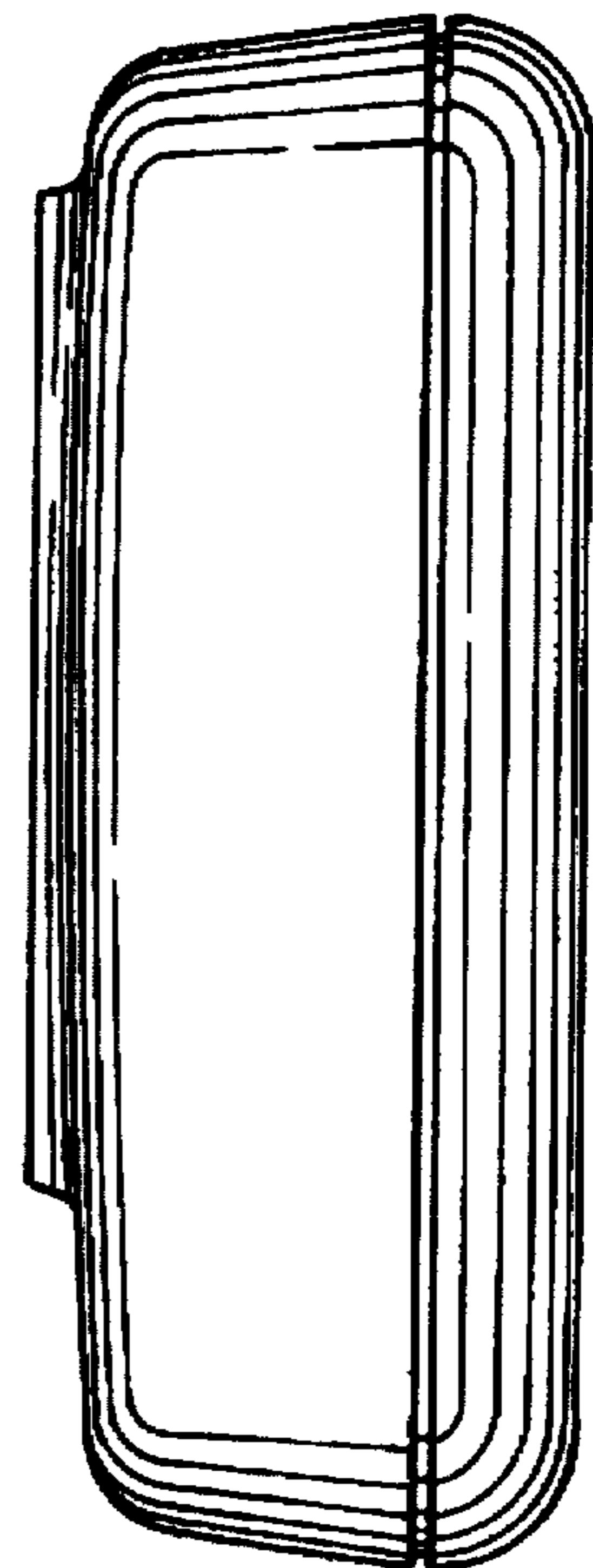
*FIG. 3*



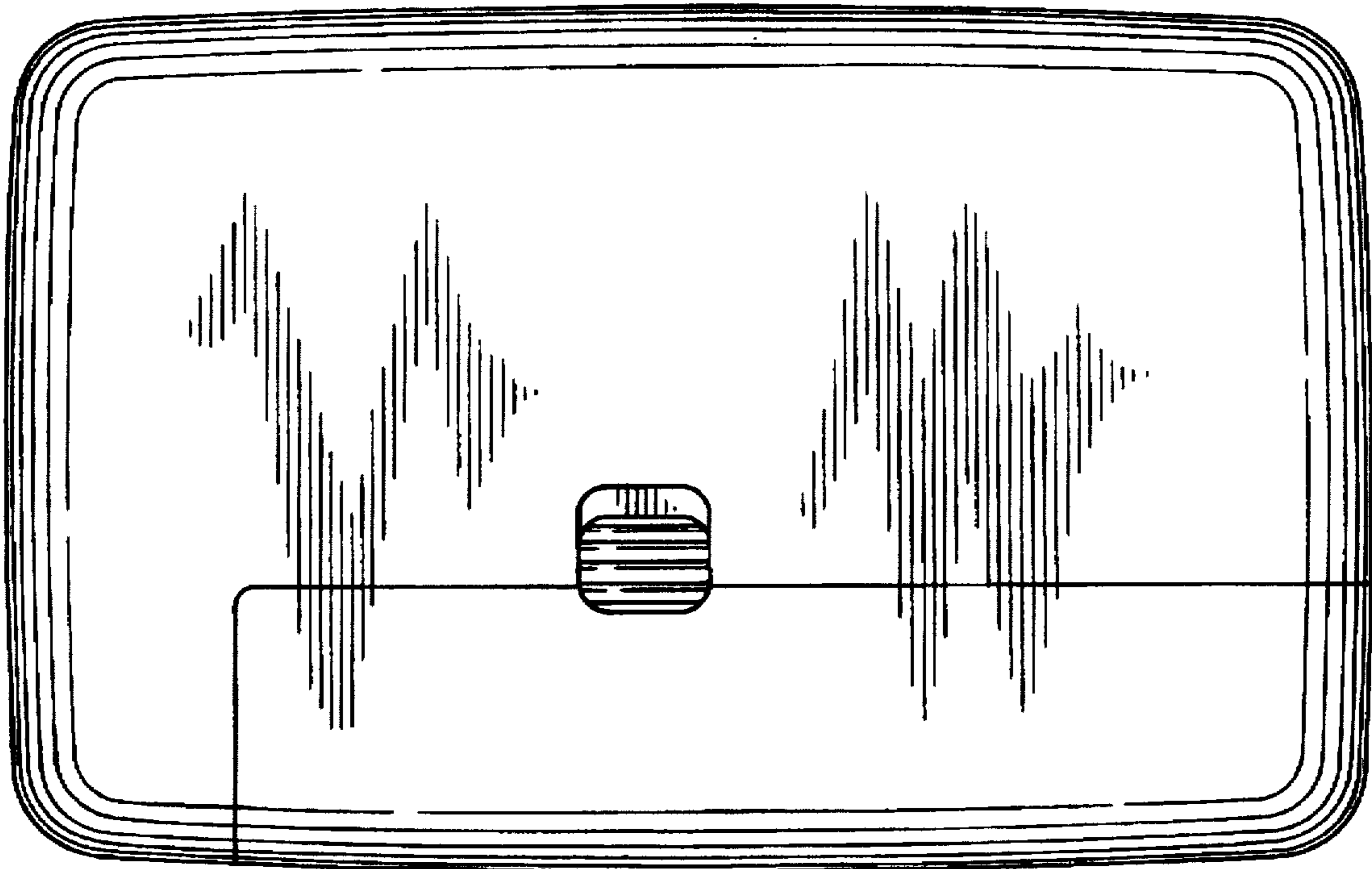
*FIG. 4*



*FIG. 5*



*FIG. 6*



*FIG. 7*

