



US00D388075S

# United States Patent [19]

Bayer et al.

[11] Patent Number: **Des. 388,075**

[45] Date of Patent: **\*\*Dec. 23, 1997**

[54] **BAR CODE SCANNER**

[75] Inventors: **William Bayer**, Rochester; **Albert J. Ferland**, Penfield; **Paul Klock**, Rochester; **Joshua Maruska**, West Henrietta; **James B. Thornton**, Webster, all of N.Y.

[73] Assignee: **PSC, Inc.**, Webster, N.Y.

[\*\*] Term: **14 Years**

[21] Appl. No.: **45,541**

[22] Filed: **Oct. 23, 1995**

[51] **LOC (6) Cl.** ..... **14-02**

[52] **U.S. Cl.** ..... **D14/116**

[58] **Field of Search** ..... D14/114, 116;  
235/375, 378, 454, 462, 472, 468; 248/917-924;  
D26/37, 45, 50

[56] **References Cited**

**U.S. PATENT DOCUMENTS**

- D. 318,658 7/1991 Stoddard, III et al. .... D14/116
- D. 348,260 6/1994 Allgeier ..... D14/116
- D. 351,149 10/1994 Bontly et al. .... D14/116

- D. 351,150 10/1994 Bontly et al. .... D14/116
- D. 359,483 6/1995 Saunders et al. .... D14/116
- 5,198,650 3/1993 Wike, Jr. .... 235/472

*Primary Examiner*—M. H. Tung  
*Attorney, Agent, or Firm*—Foley & Lardner

[57] **CLAIM**

The ornamental design for a bar code scanner, as shown and described.

**DESCRIPTION**

FIG. 1 is a perspective view of a bar code scanner showing our new design, on a reduced scale relative to the other figures;

FIG. 2 is a front view thereof;

FIG. 3 is a left side view thereof;

FIG. 4 is a right side view thereof;

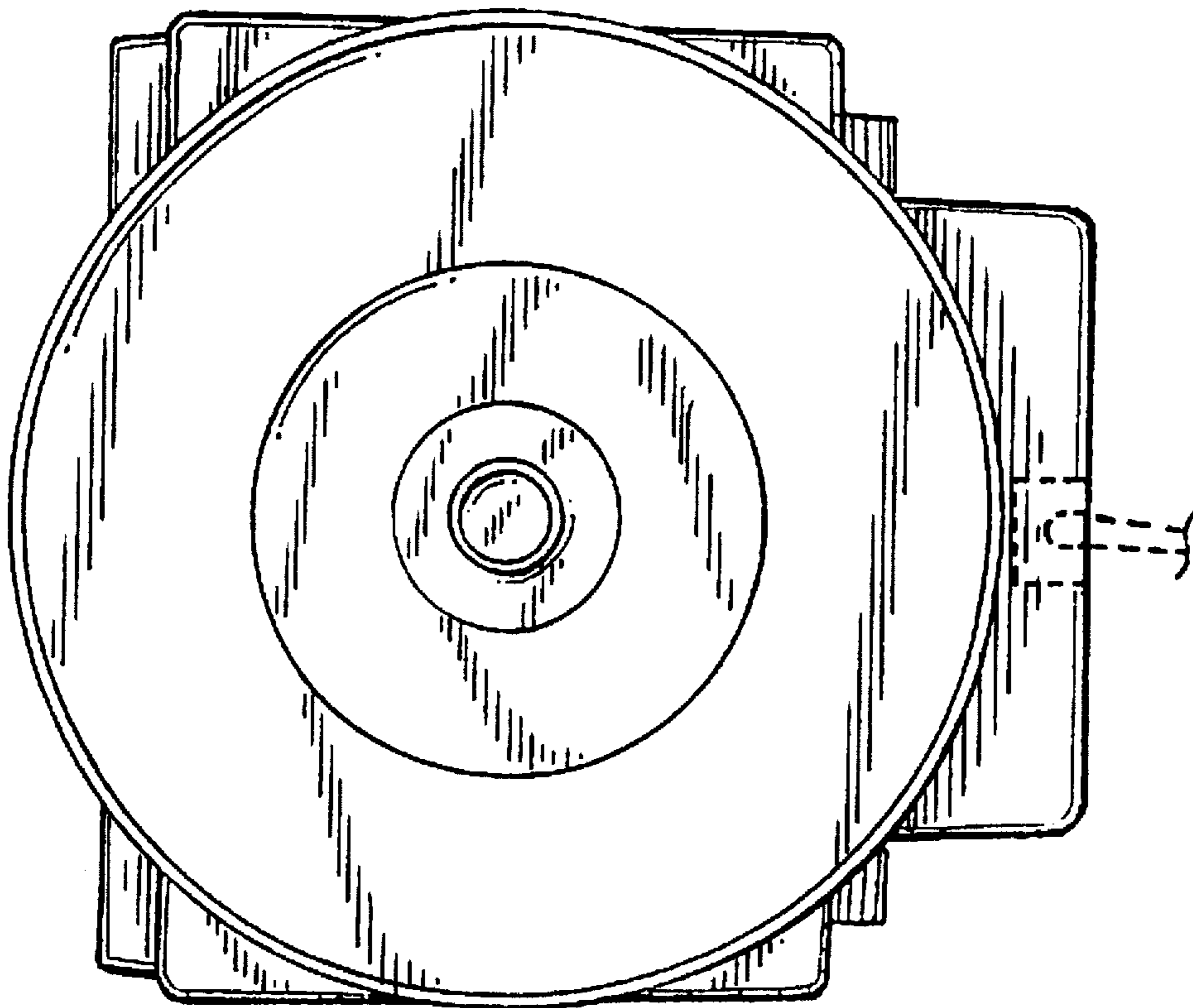
FIG. 5 is a rear view thereof;

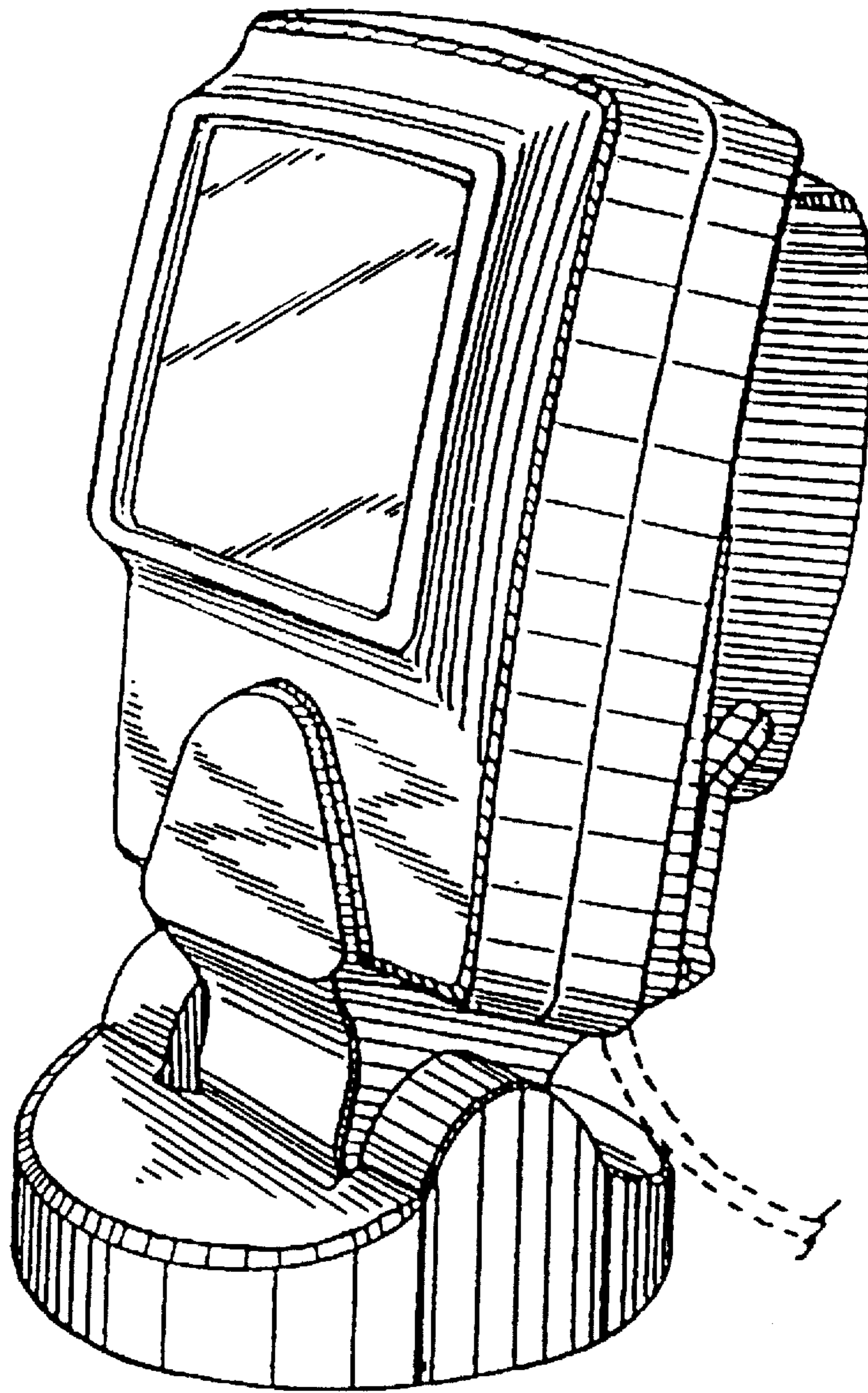
FIG. 6 is a top view thereof; and,

FIG. 7 is a bottom view thereof.

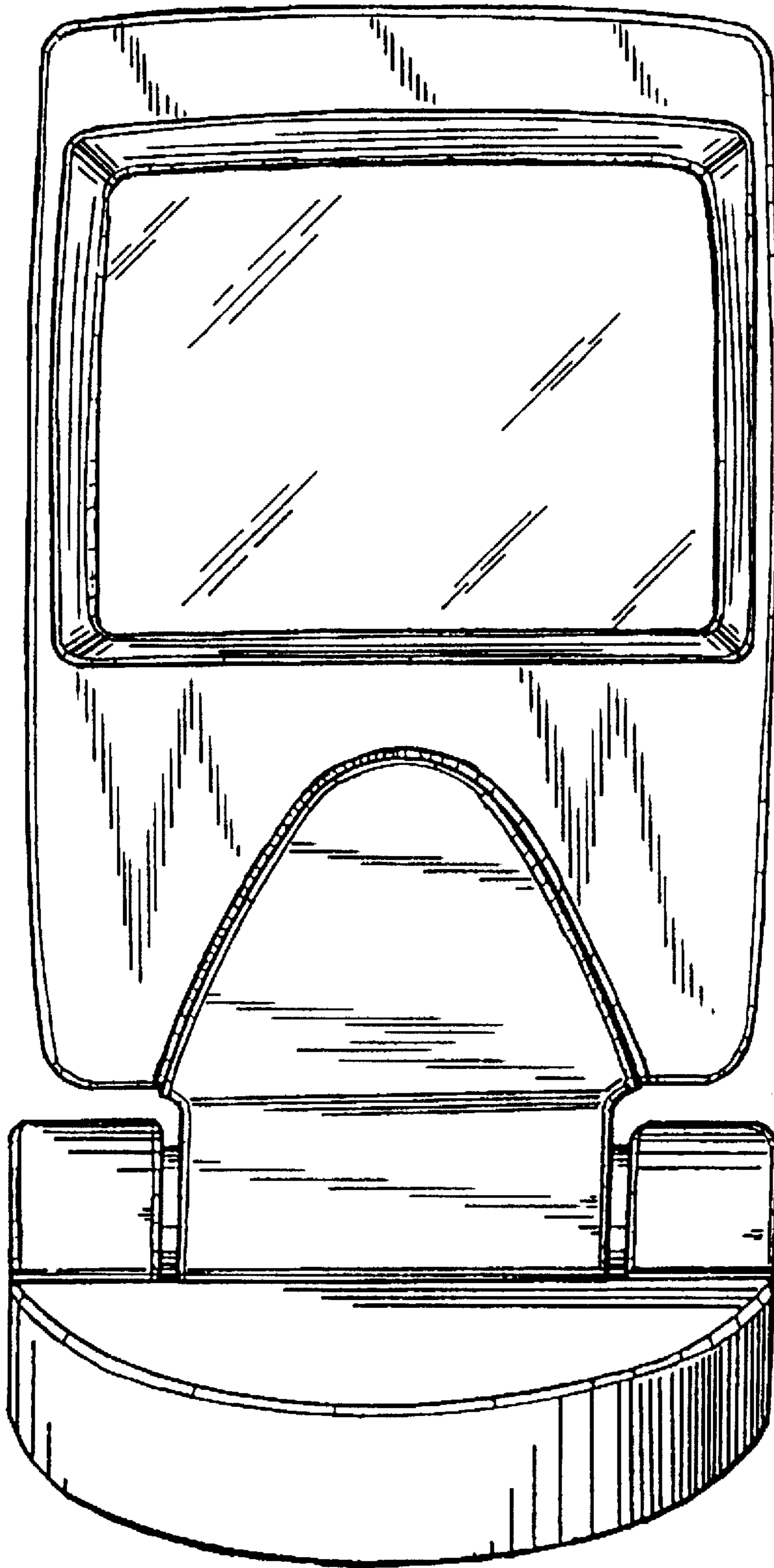
The broken line drawing of a cord in FIGS. 1, 3, 4, 5, 6 and 7 is for illustrative purposes only and forms no part of the claimed design.

**1 Claim, 7 Drawing Sheets**

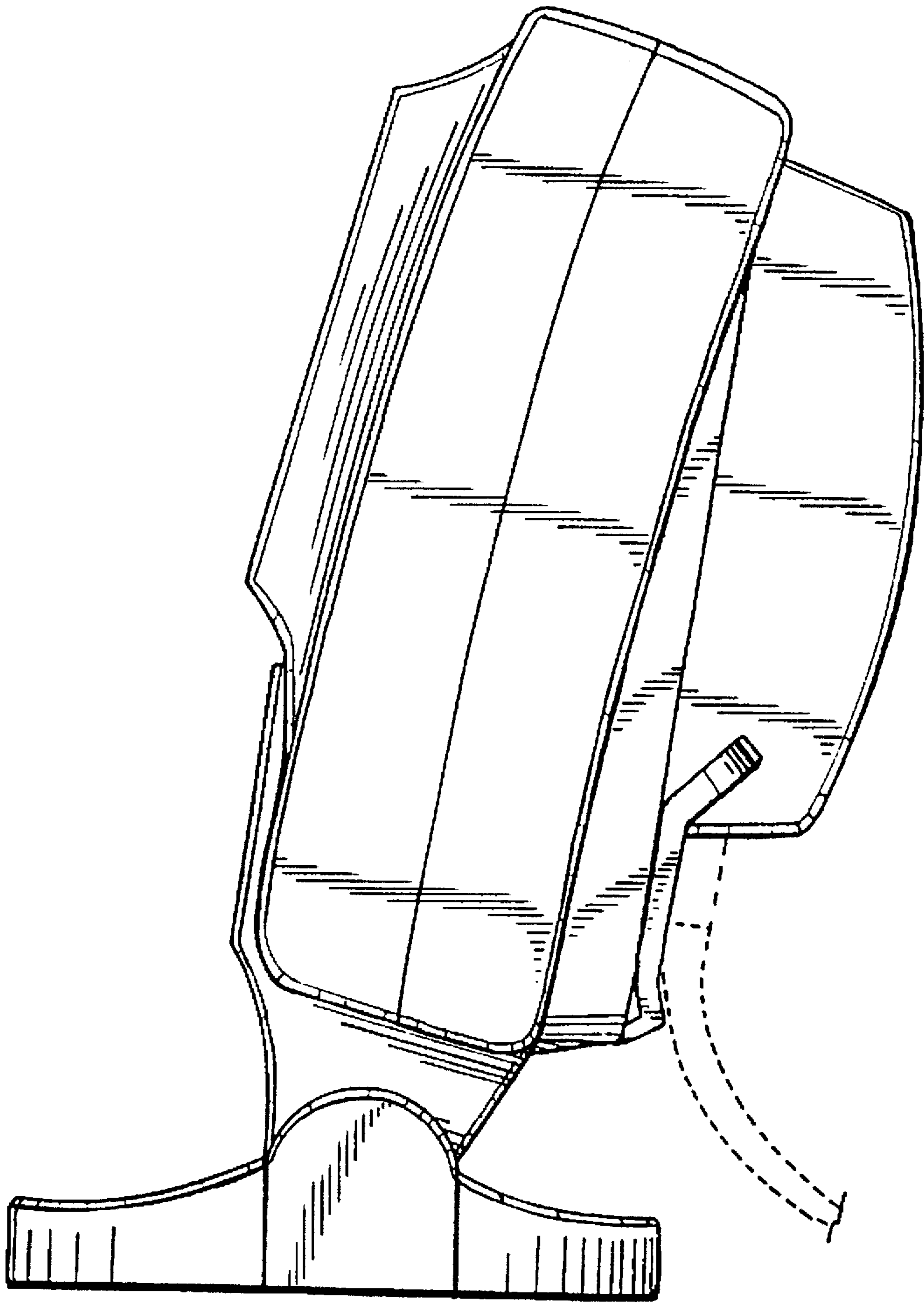




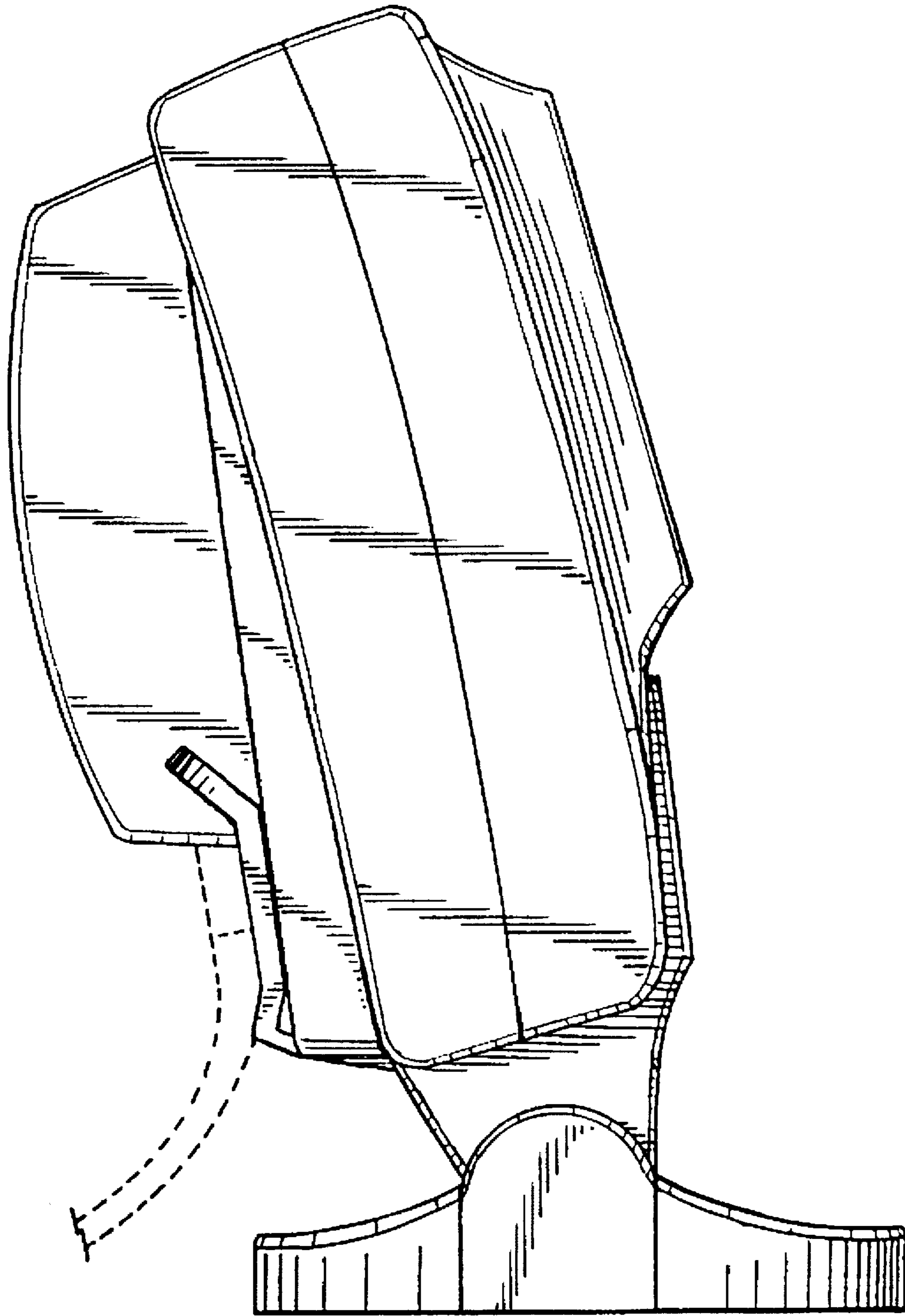
**Fig. 1**



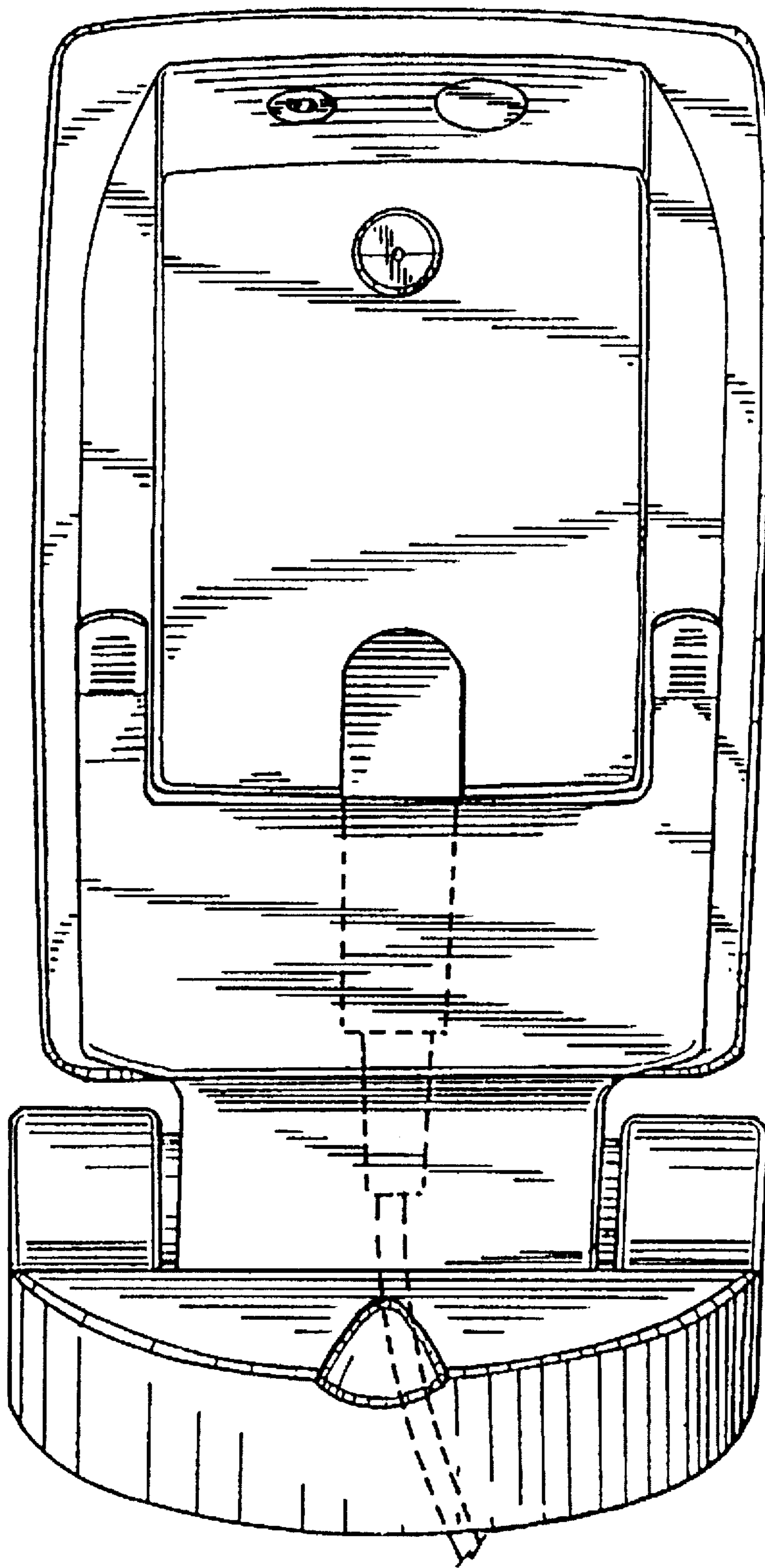
**Fig. 2**



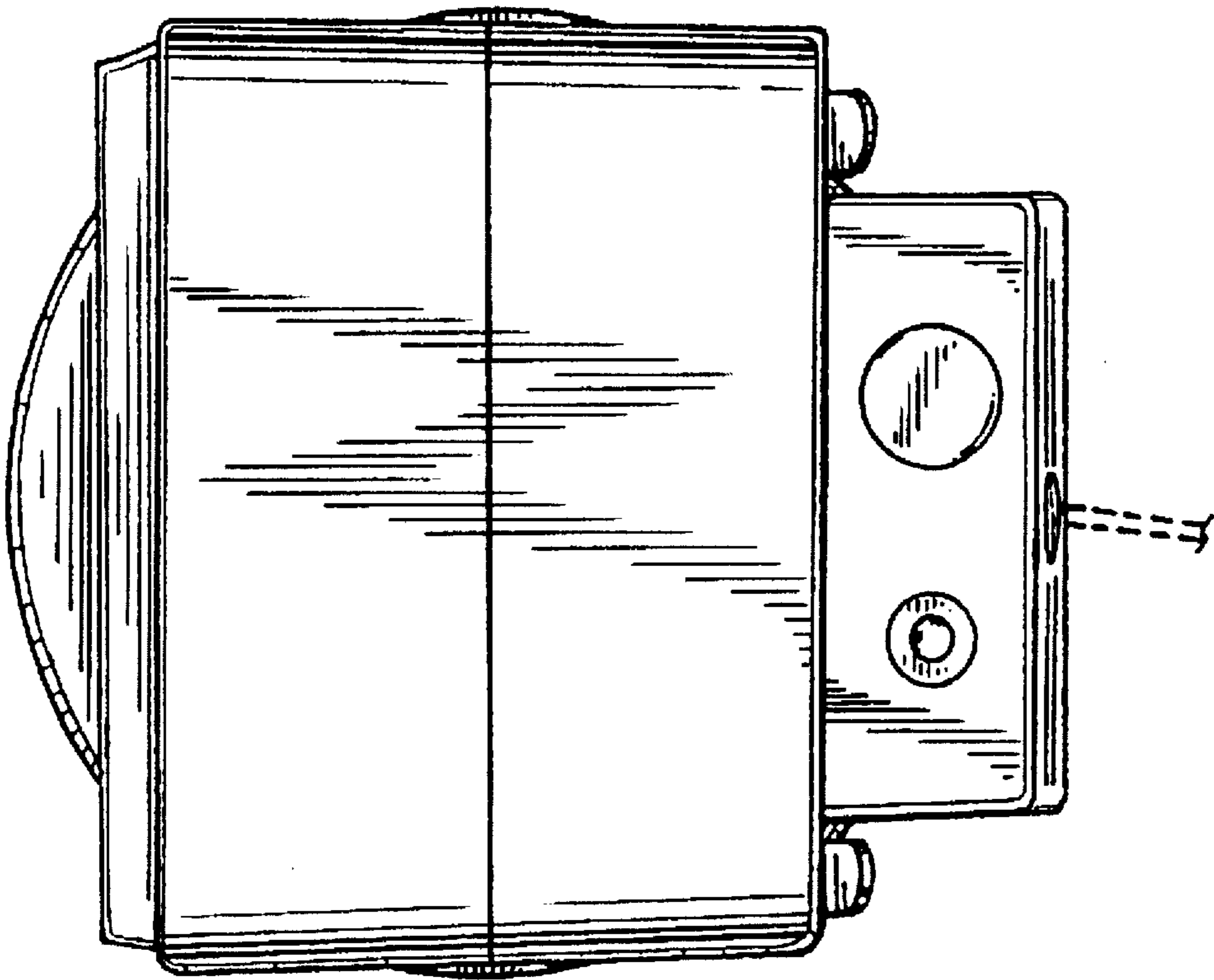
**Fig. 3**



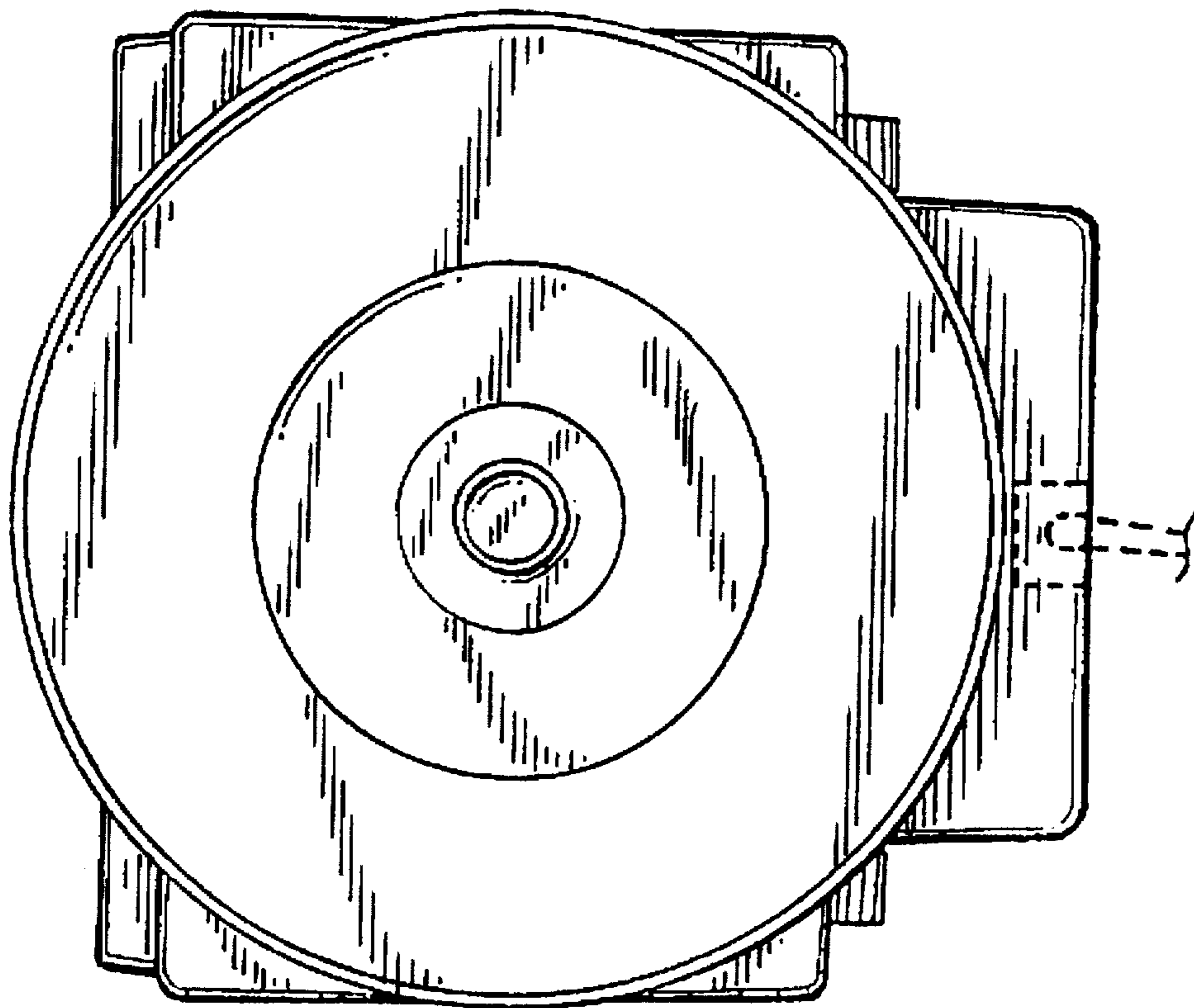
**Fig. 4**



**Fig. 5**



**Fig. 6**



*Fig. 7*