



US00D388074S

# United States Patent [19]

Laituri et al.

[11] Patent Number: **Des. 388,074**

[45] Date of Patent: **\*\*Dec. 23, 1997**

[54] **FACADE PANEL ARRANGEMENT FOR A DISK DRIVE CHASSIS**

[75] Inventors: **David Laituri**, Palo Alto; **Gerome A. Haney**, San Jose, both of Calif.

[73] Assignee: **StreamLogic Corporation**, Menlo Park, Calif.

[\*\*] Term: **14 Years**

[21] Appl. No.: **63,418**

[22] Filed: **Dec. 6, 1996**

[51] LOC (6) Cl. .... **14-02**

[52] U.S. Cl. .... **D14/115**

[58] Field of Search ..... D14/100, 102, D14/109, 115, 107, 108, 257, 258, 137, 156, 217; D13/162, 164, 177, 184, 199; D10/103; 312/223.2; 361/600, 622, 724-728

[56] **References Cited**

**U.S. PATENT DOCUMENTS**

D. 348,259 6/1994 Bates et al. .... D14/115

*Primary Examiner*—Freda Nunn

*Attorney, Agent, or Firm*—Blakely, Sokoloff, Taylor & Zafman LLP

[57] **CLAIM**

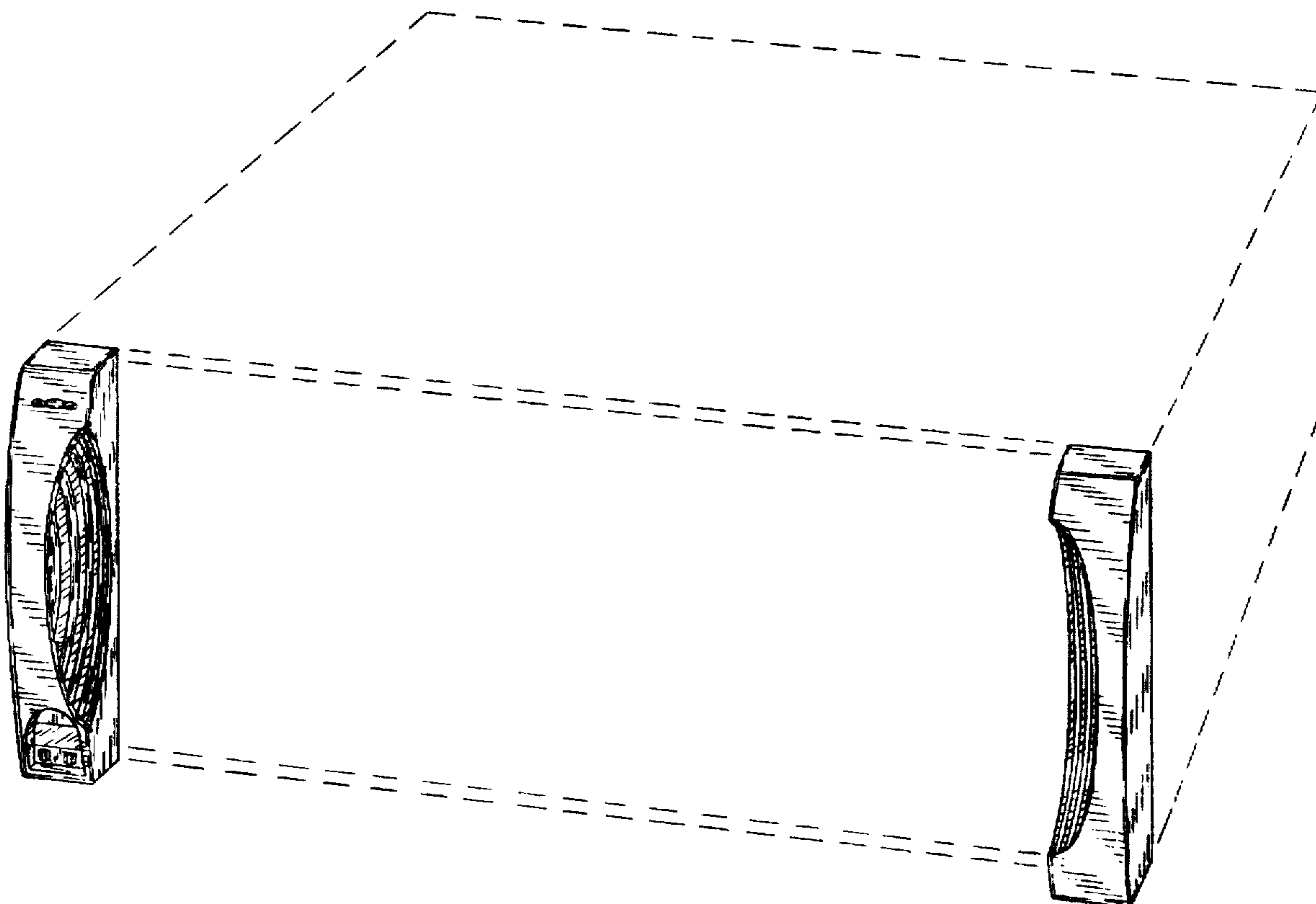
The ornamental design for a facade panel arrangement for a disk drive chassis, as shown and described.

**DESCRIPTION**

FIG. 1 is a top perspective of the facade panel arrangement for a disk drive chassis, showing the new design; FIG. 2 is a front view thereof on an enlarged scale; FIG. 3 is a rear view thereof; FIG. 4 is a bottom plan view thereof; FIG. 5 is a top plan view thereof; FIG. 6 is a right side view thereof; and, FIG. 7 is a left side view thereof.

The broken line showing of a disk drive chassis in FIGS. 1-7 is illustrative of environmental structure only and forms no part of the claimed design, and the unclaimed chassis is shown broken to indicate an indeterminate width in FIGS. 2, 3, 6 and 7.

**1 Claim, 7 Drawing Sheets**



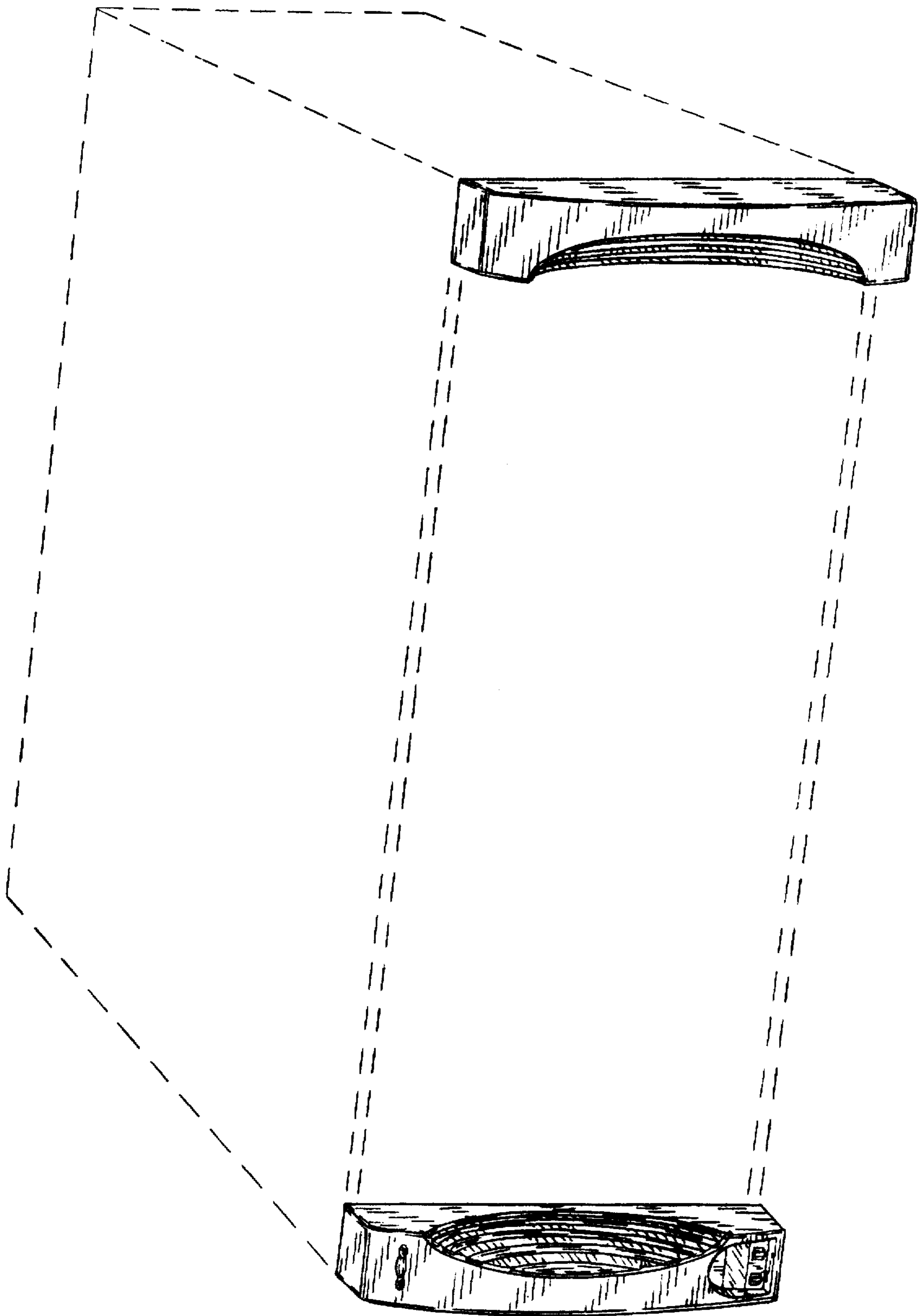


FIG. 1

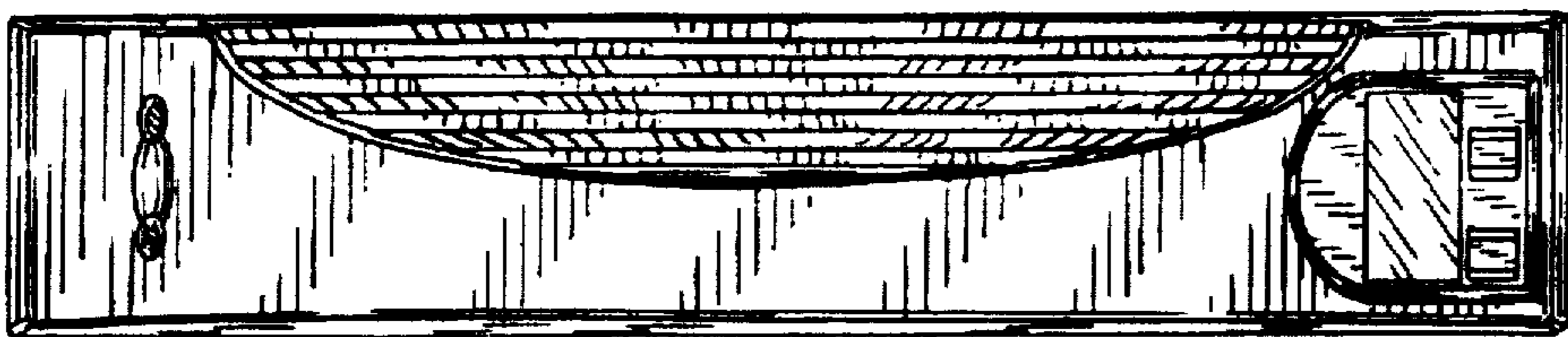
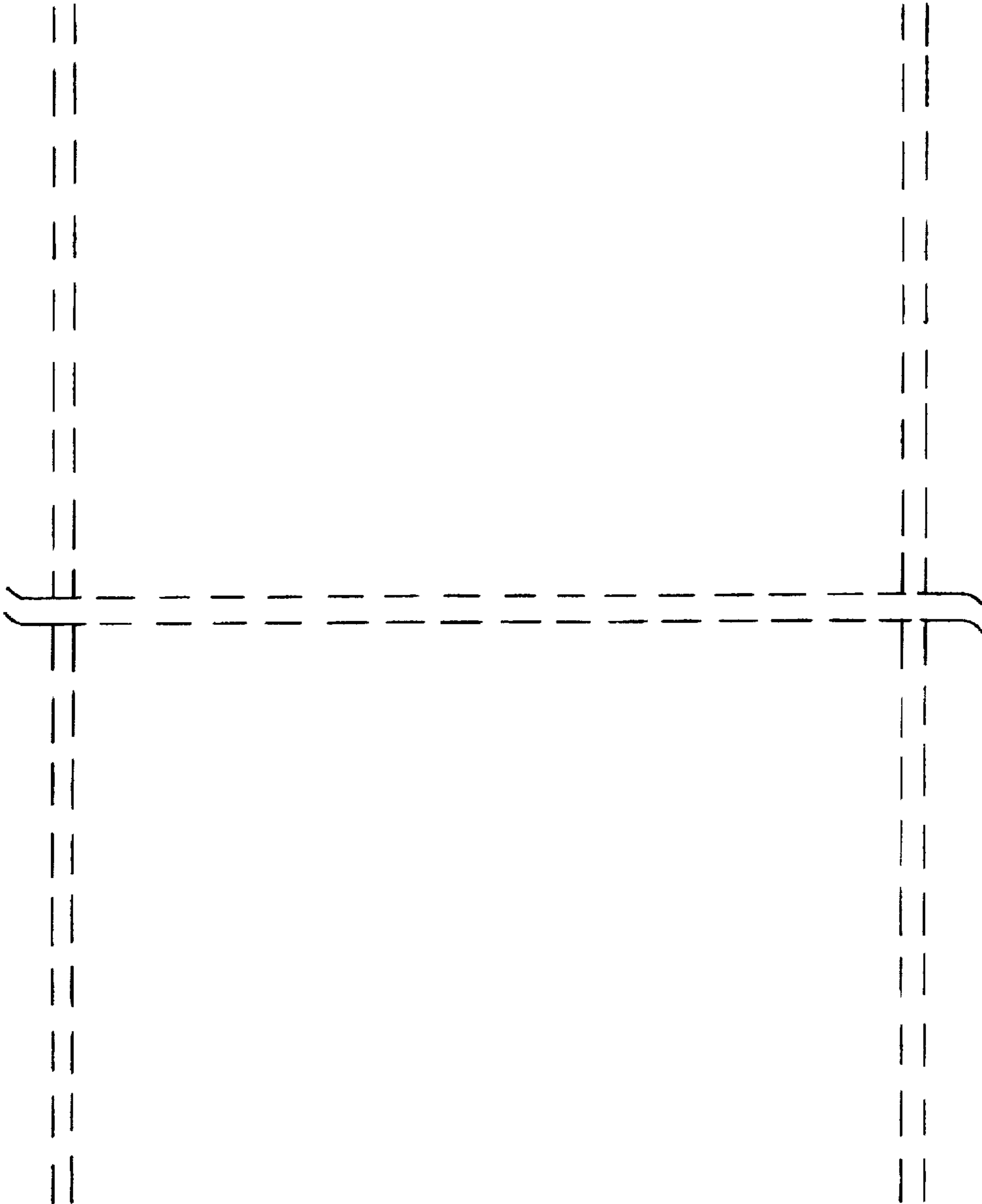
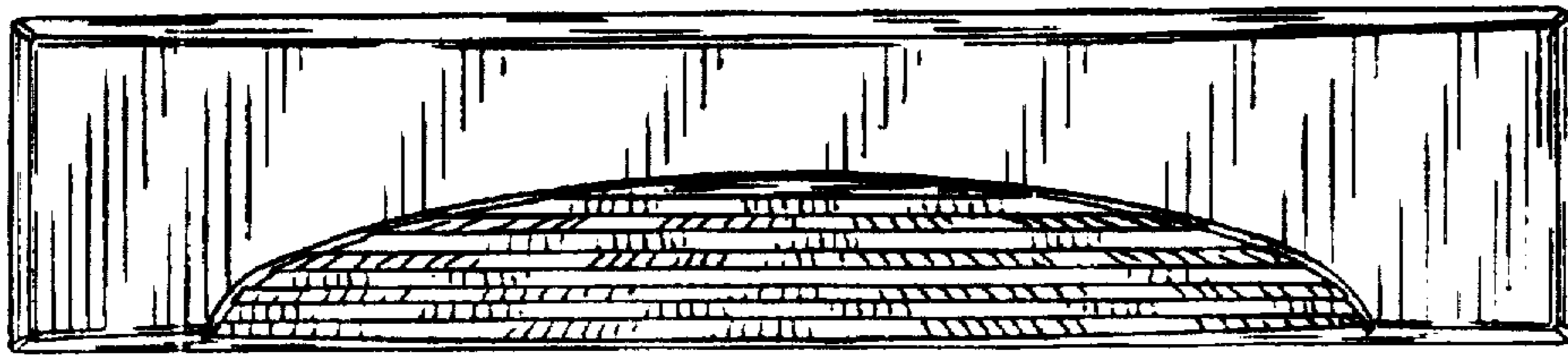


FIG. 2

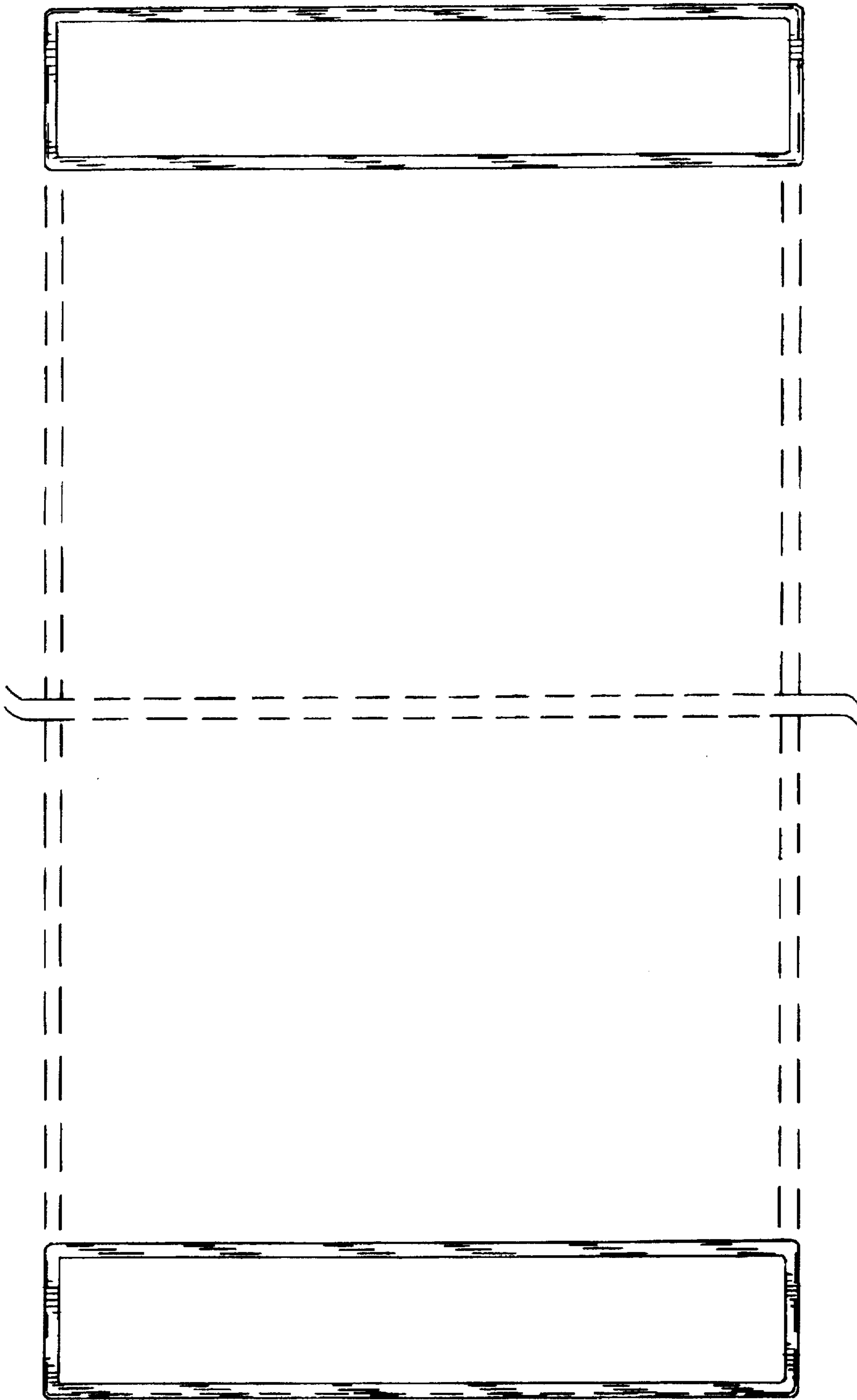


FIG. 3

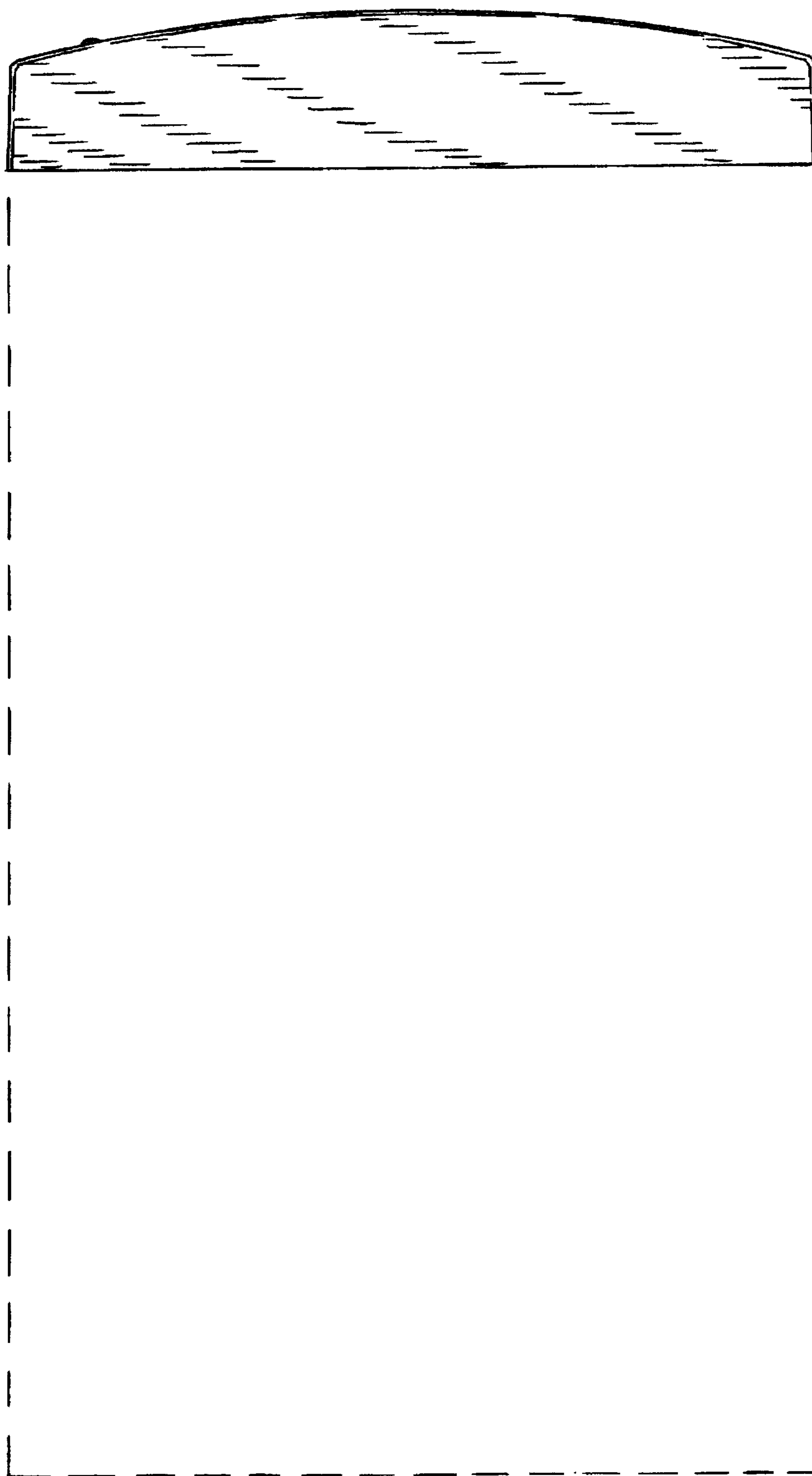


FIG. 4

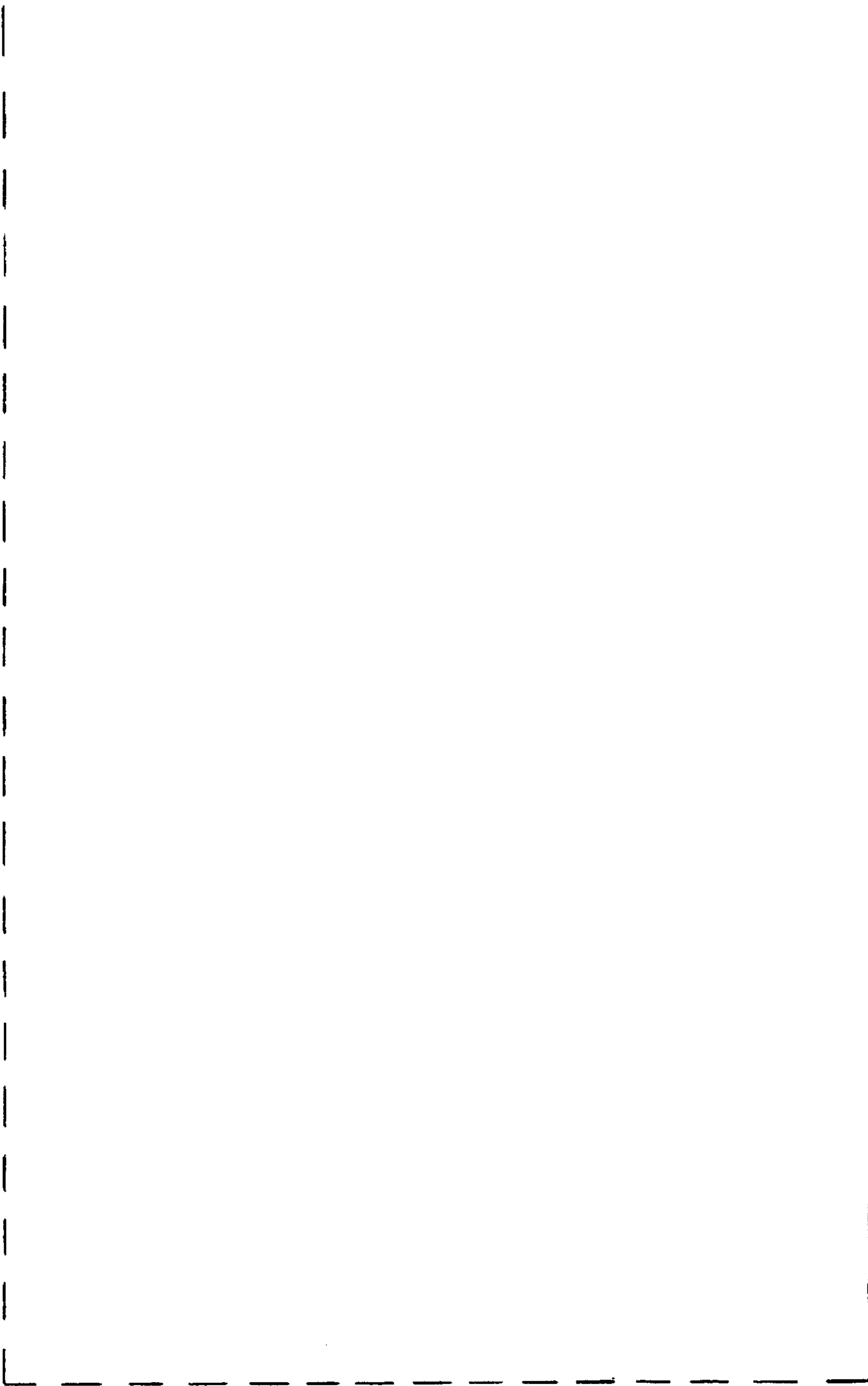
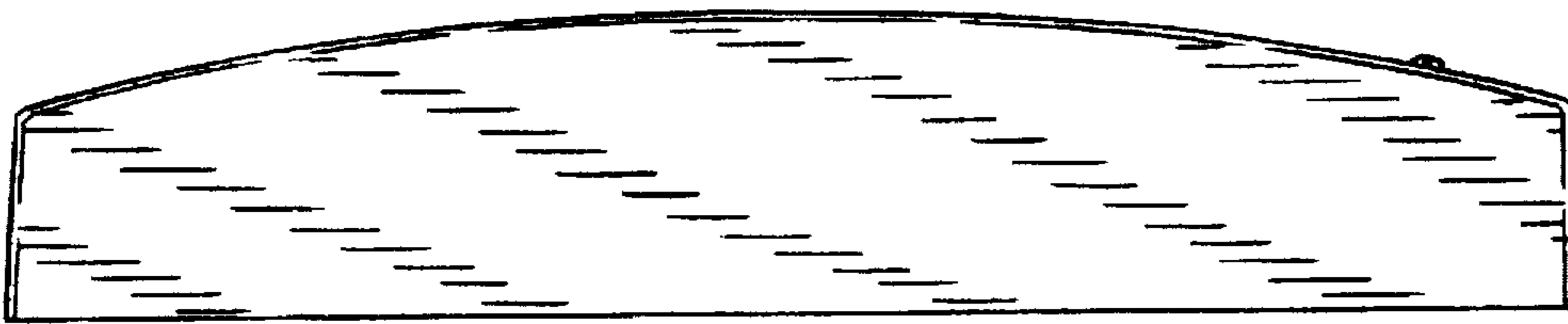


FIG. 5

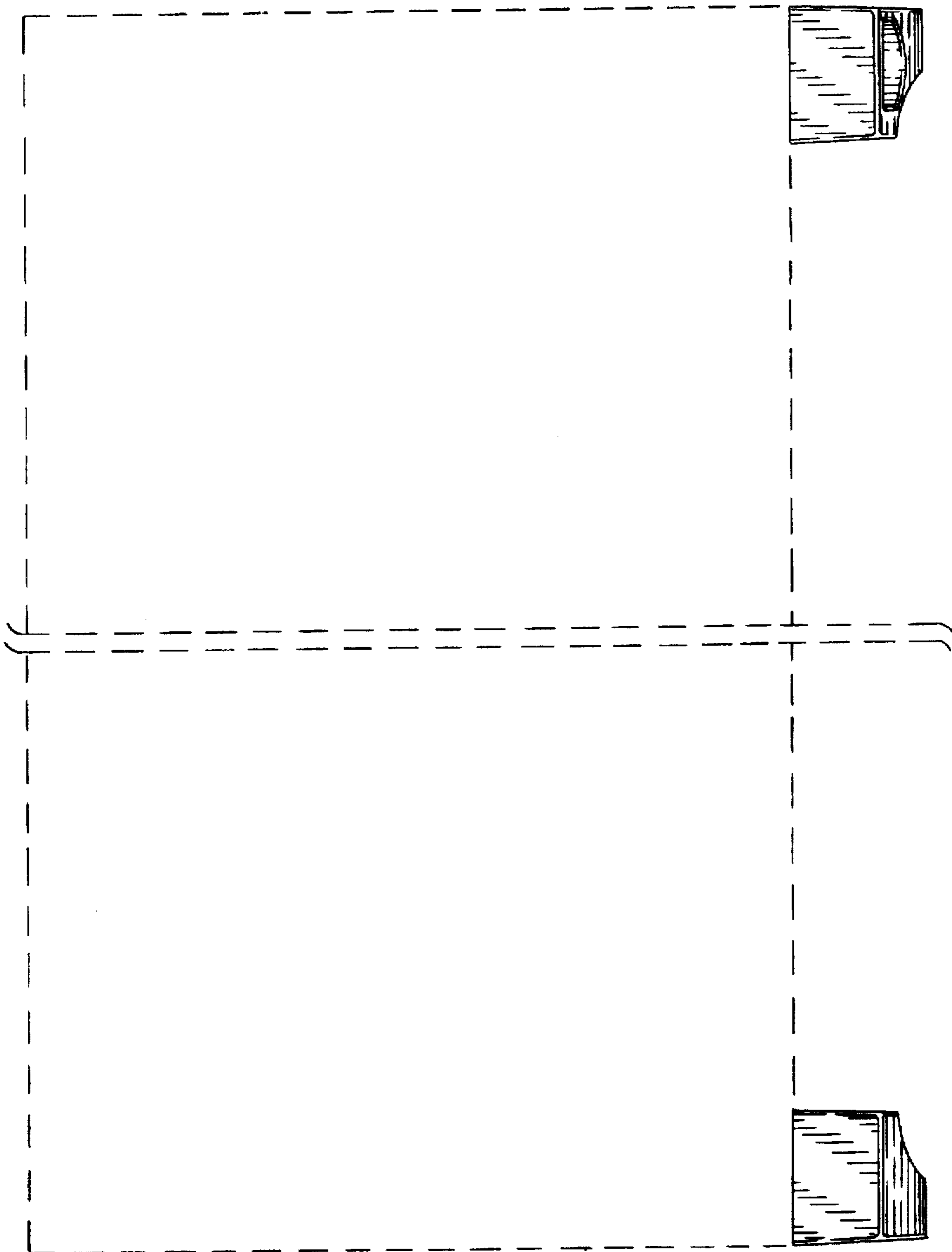


FIG. 6

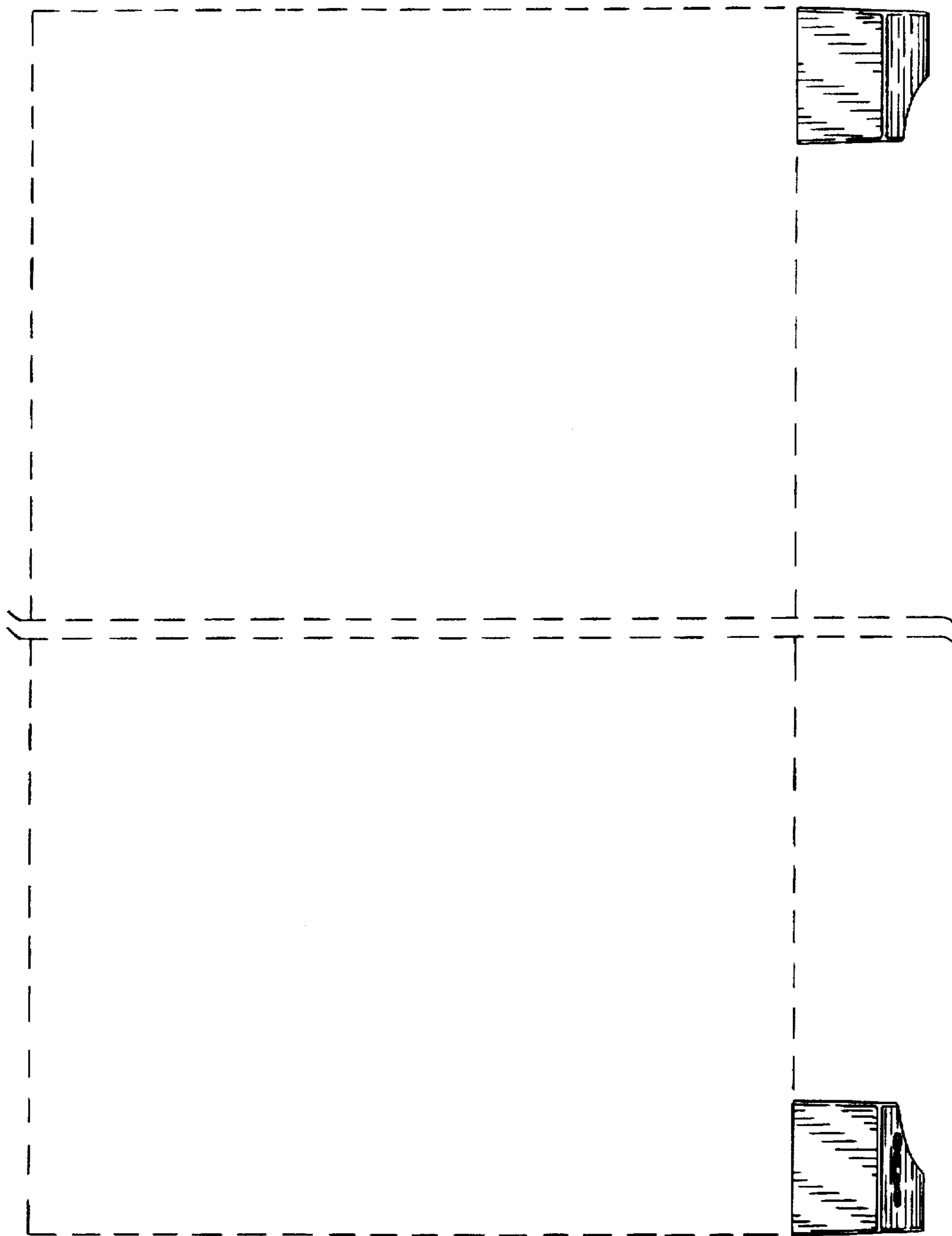


FIG. 7