

US00D388063S

United States Patent [19]
Kim

[11] **Patent Number: Des. 388,063**
[45] **Date of Patent: **Dec. 23, 1997**

[54] **PORTABLE COMPUTER**

[75] **Inventor: Gi-Soo Kim**, Incheon, Rep. of Korea

[73] **Assignee: Daewoo Telecom Ltd.**, Incheon, Rep. of Korea

[**] **Term: 14 Years**

[21] **Appl. No.: 58,869**

[22] **Filed: Aug. 27, 1996**

[30] **Foreign Application Priority Data**

Mar. 11, 1996 [KR] Rep. of Korea 96-4126

[51] **LOC (6) Cl. 14-02**

[52] **U.S. Cl. D14/106**

[58] **Field of Search D14/100, 101, D14/106, 113, 115; D18/1, 2, 7; 235/145 A, 145 R; 345/104, 156, 168, 173; 361/690-696; 364/708.1**

[56] **References Cited**

U.S. PATENT DOCUMENTS

D. 363,272 10/1995 Suzuki D14/106

D. 363,273 10/1995 Liu D14/106
D. 370,217 5/1996 Kondo D14/106

Primary Examiner—Freda Nunn
Attorney, Agent, or Firm—Pennie & Edmonds, LLP

[57] **CLAIM**

The ornamental design for a portable computer, as shown and described.

DESCRIPTION

FIG. 1 is a perspective view of a portable computer showing my new design;

FIG. 2 is a top plan view thereof;

FIG. 3 is a bottom plan view thereof;

FIG. 4 is a front elevational view thereof;

FIG. 5 is a rear elevational view thereof;

FIG. 6 is a left side elevational view thereof;

FIG. 7 is a right side elevational view thereof; and,

FIG. 8 is a perspective view thereof with the monitor in the opened state and the keys of the keyboard being partially shown for ease of illustration and they are understood to continue uniformly across the indicated surface.

1 Claim, 5 Drawing Sheets

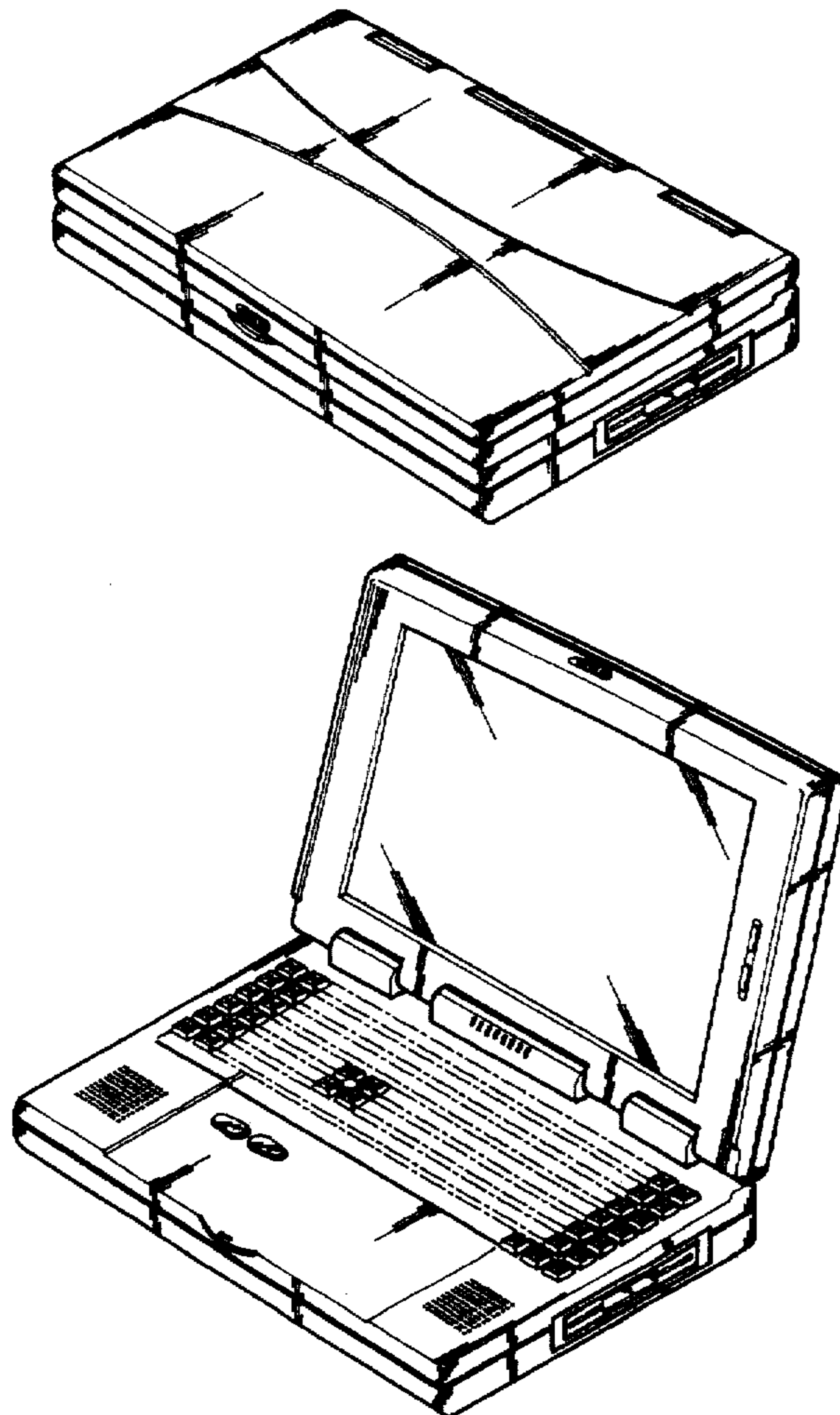


FIG. 1

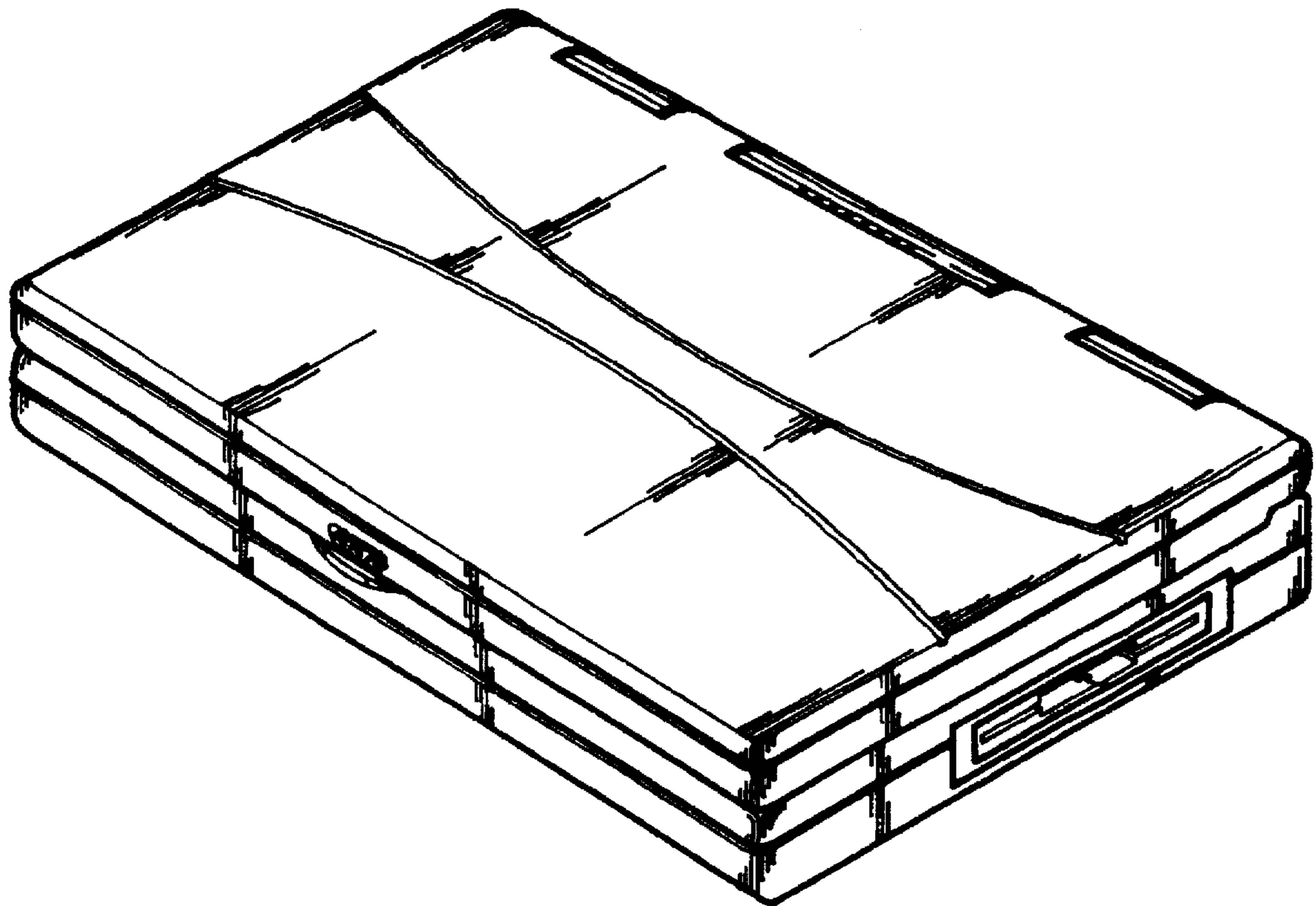


FIG. 2

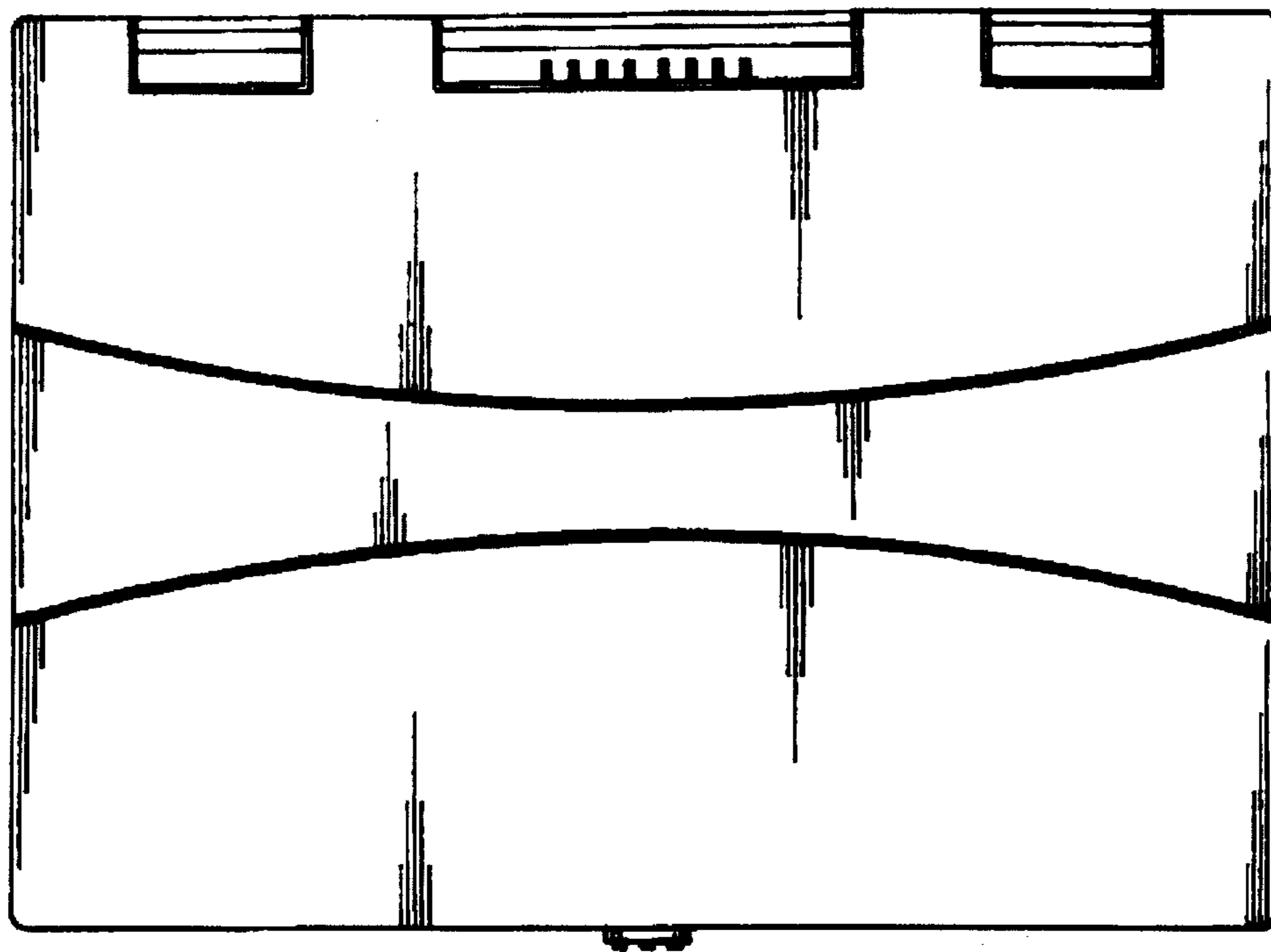


FIG. 3

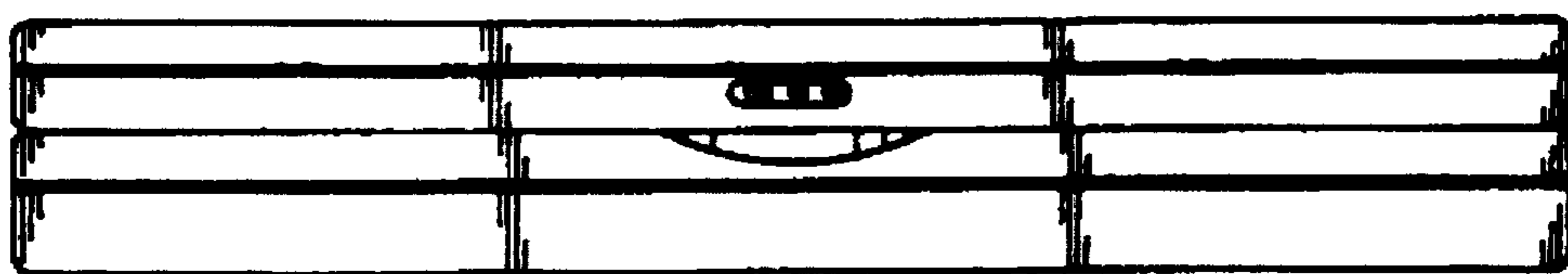


FIG. 4

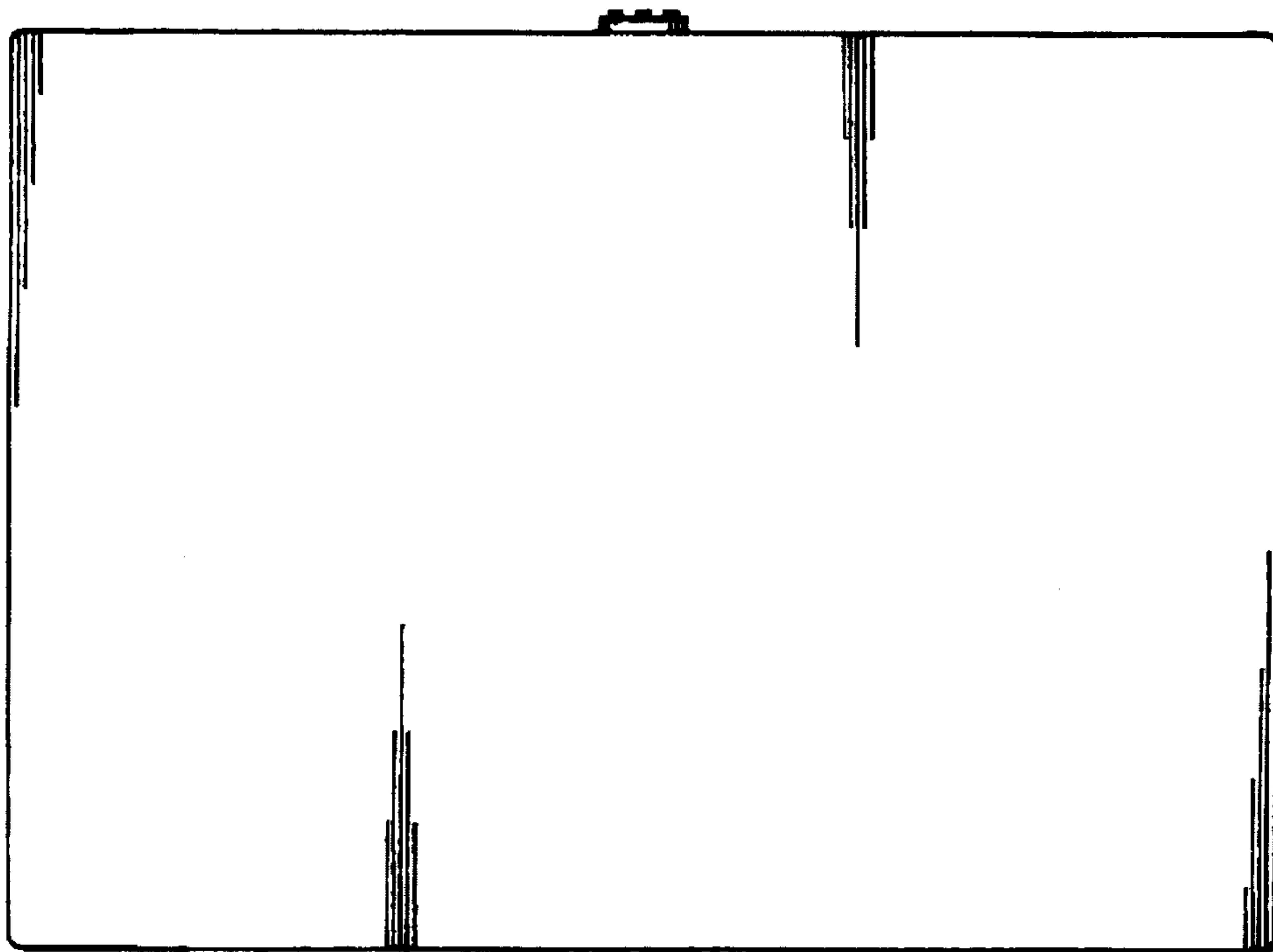


FIG. 5

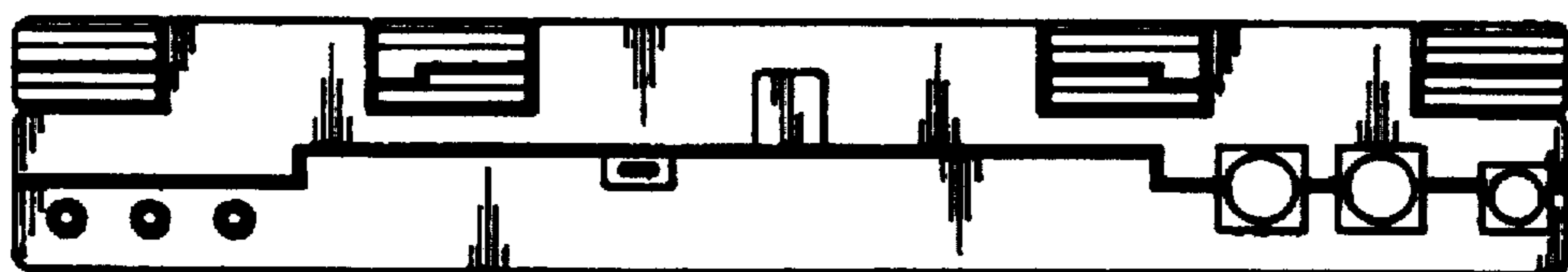


FIG. 6

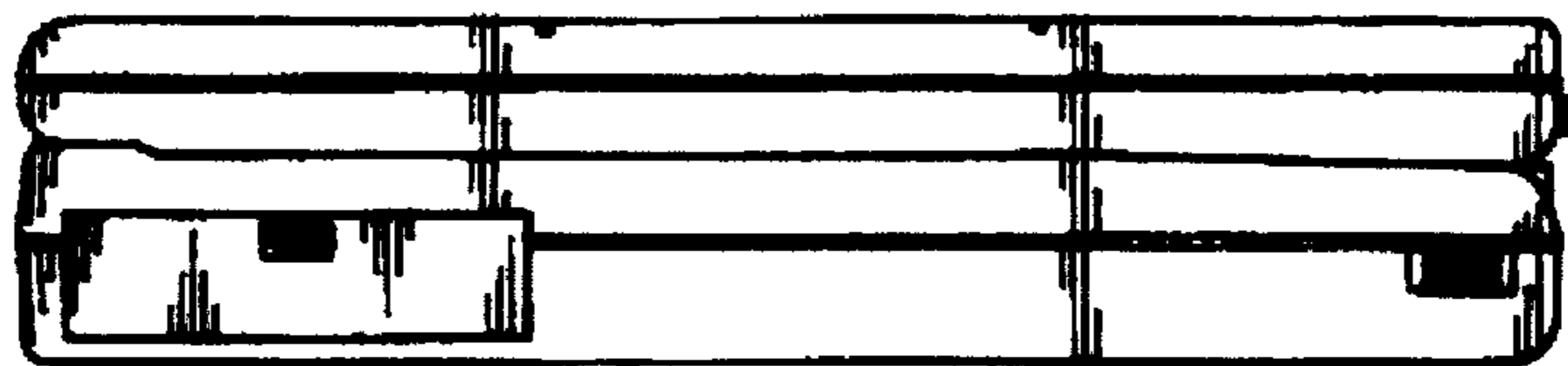


FIG. 7

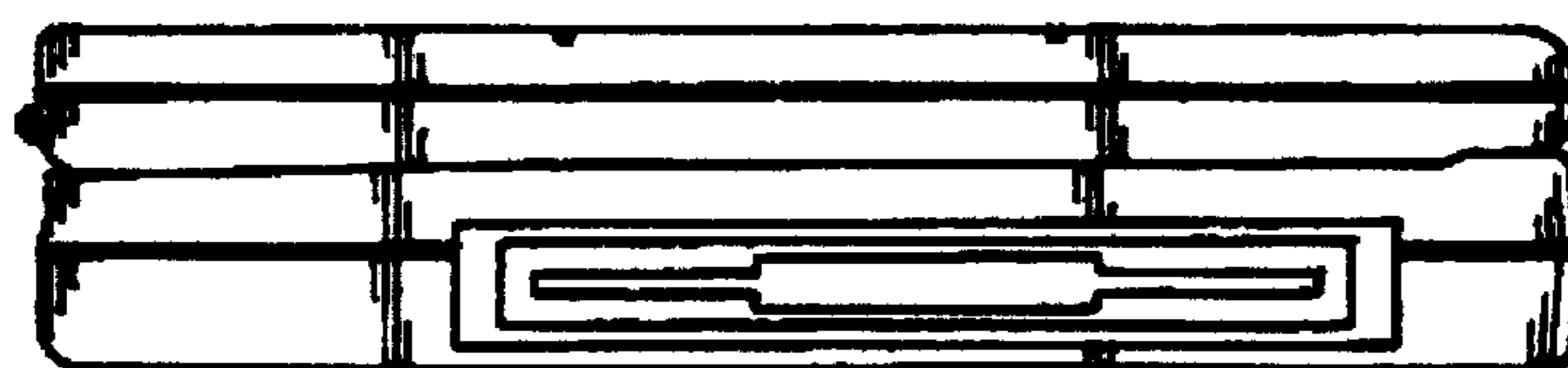


FIG. 8

