



US00D388061S

United States Patent [19]

Tuvy et al.

[11] Patent Number: **Des. 388,061**

[45] Date of Patent: ****Dec. 23, 1997**

[54] **HOUSING FOR CABLE TELEVISION, DIRECT BROADCAST SATELLITE AND MULTI-CHANNEL MULTI-POINT DISTRIBUTION SYSTEMS**

4,749,359 6/1988 White 439/133
4,910,770 3/1990 Collins et al. 379/399

OTHER PUBLICATIONS

Keptel, Inc. brochure, 2 sides, entitled CG 1000 Demarc Enclosure, P/N 42126-00, published Aug. 1995 USA.

Primary Examiner—Alan P. Douglas
Assistant Examiner—Lavone D. Tabor
Attorney, Agent, or Firm—R. Gale Rhodes, Jr.

[75] Inventors: **Avraham Tuvy**, Oakhurst; **Michael P. DiLonardo**, Toms River, both of N.J.

[73] Assignee: **ANTEC Corp.**, Rolling Meadows, Ill.

[**] Term: **14 Years**

[21] Appl. No.: **59,740**

[22] Filed: **Sep. 13, 1996**

[51] LOC (6) Cl. **13-02**

[52] U.S. Cl. **D13/152**

[58] Field of Search D13/152, 184;
D14/240; 361/601, 602, 641; 379/326,
399, 412, 442; 439/133, 367, 892

[56] References Cited

U.S. PATENT DOCUMENTS

D. 253,281 10/1979 Kim D13/184 X
D. 320,796 10/1991 Smith D14/240
D. 335,866 5/1993 Powell et al. D13/152
D. 367,646 3/1996 Schneider et al. 13/152

[57] CLAIM

The ornamental design for a housing for cable television, direct broadcast satellite and multi-channel multi-point distribution systems, as shown and described.

DESCRIPTION

FIG. 1 is a perspective view of the housing for cable television, direct broadcast satellite and multi-channel multi-point distribution systems;
FIG. 2 is a front elevation view thereof;
FIG. 3 is a top view thereof;
FIG. 4 is a rear elevational view thereof;
FIG. 5 is a bottom view thereof;
FIG. 6 is a right side elevational view thereof; and,
FIG. 7 is a left side elevational view thereof.

1 Claim, 4 Drawing Sheets

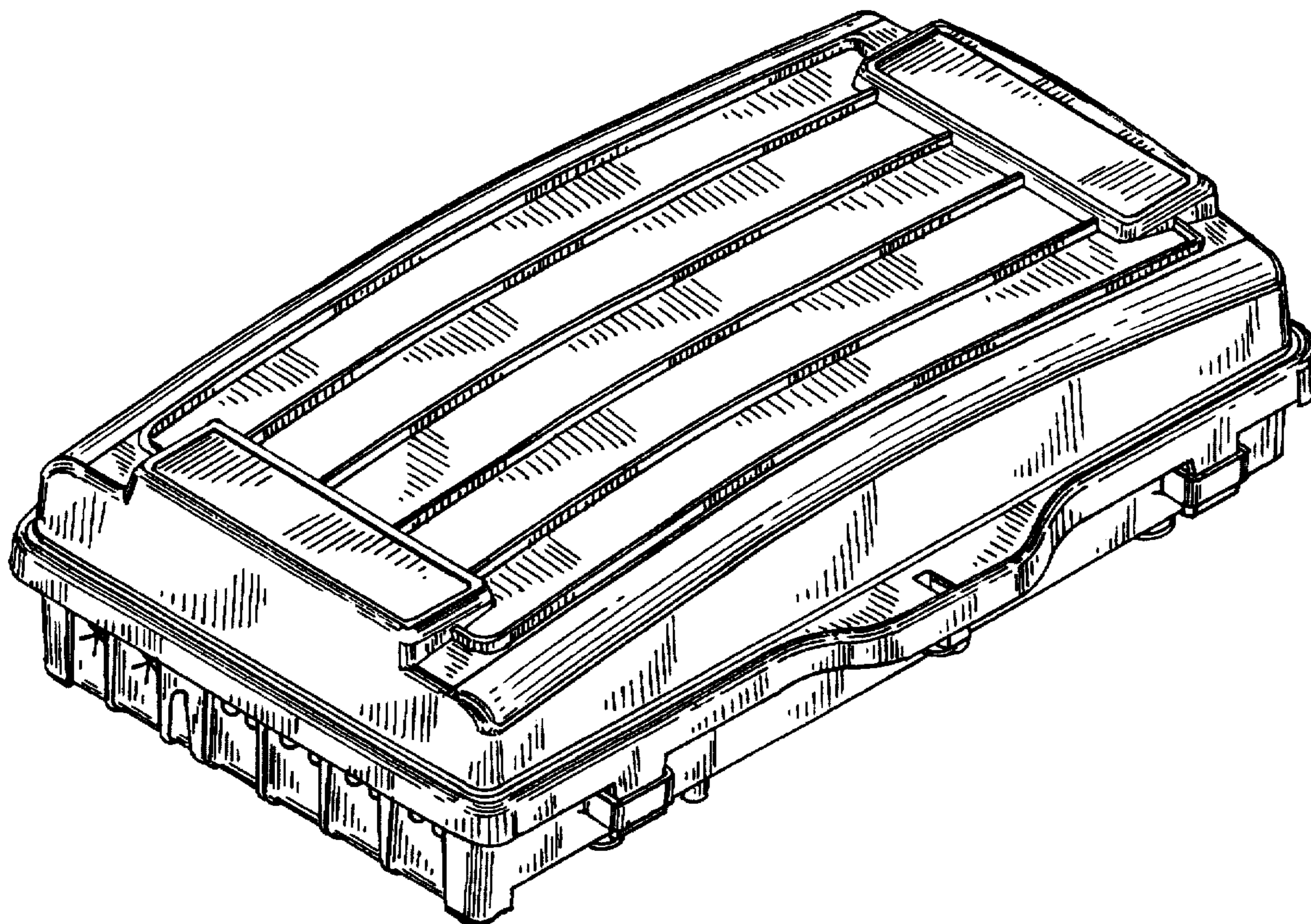


FIG. 1

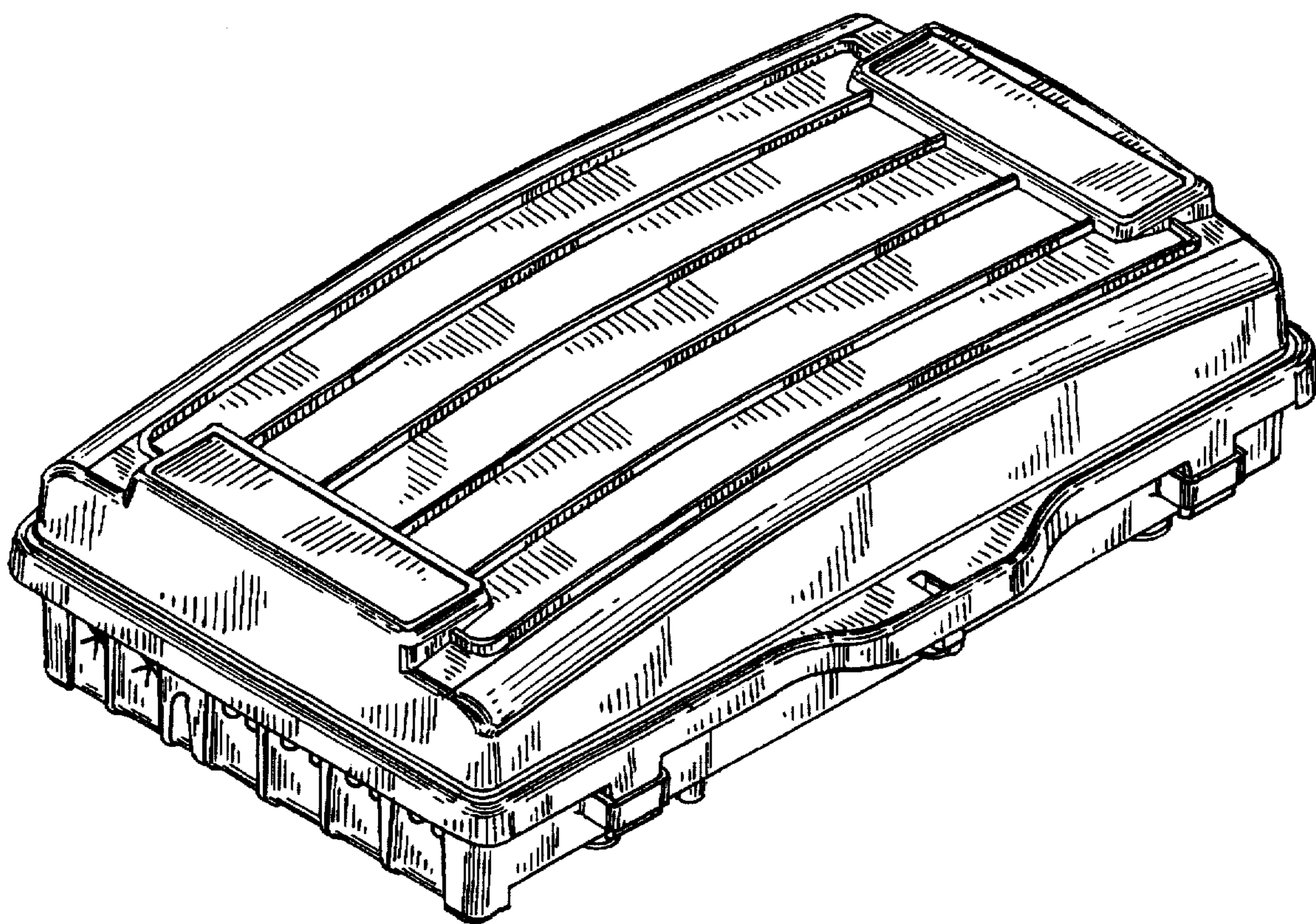


FIG. 3

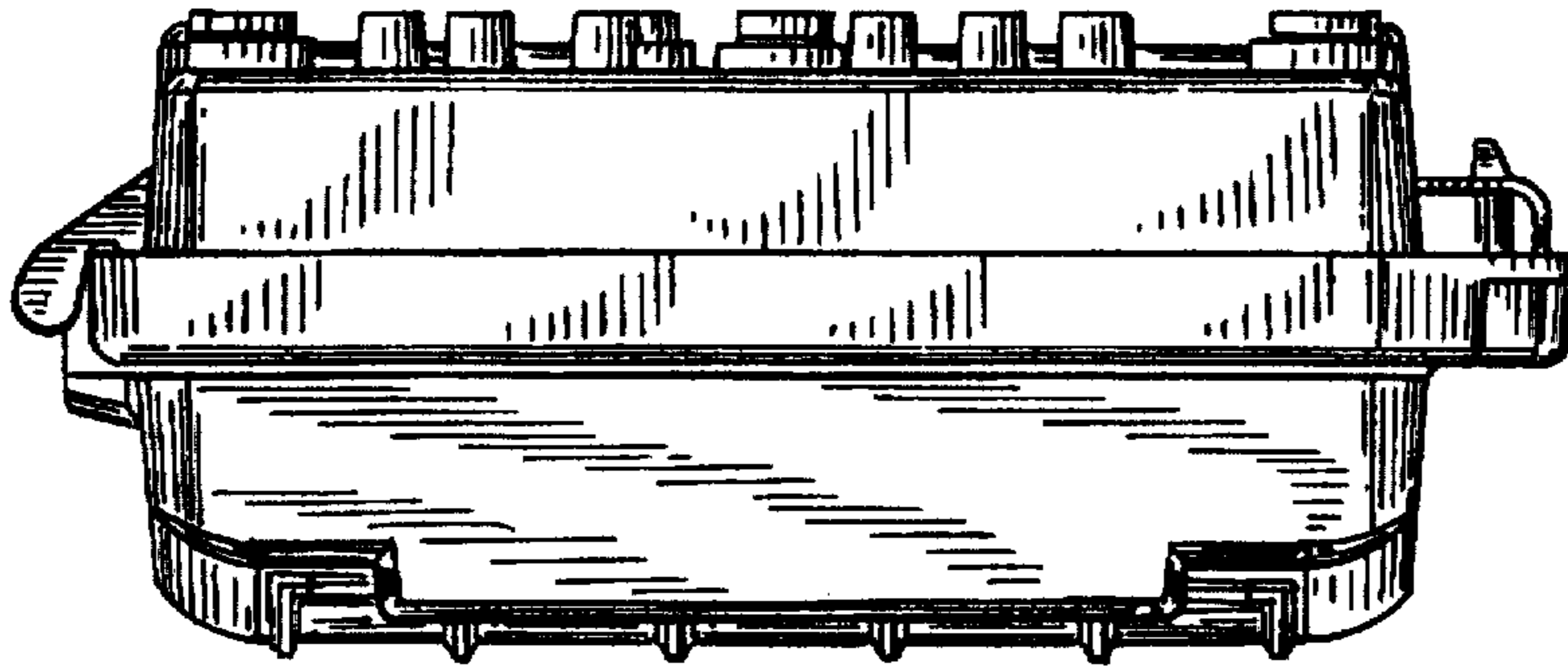


FIG. 2

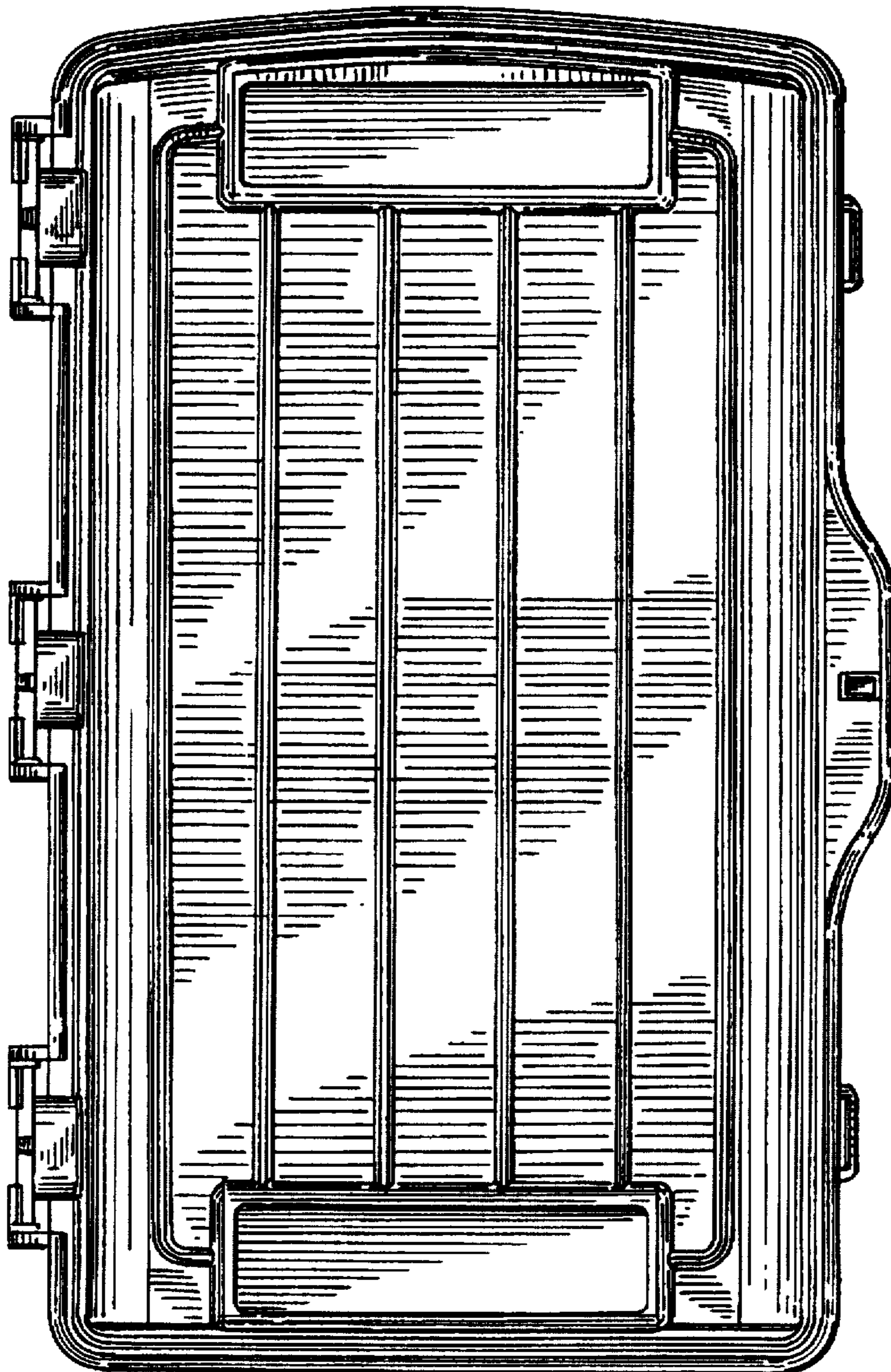


FIG. 5

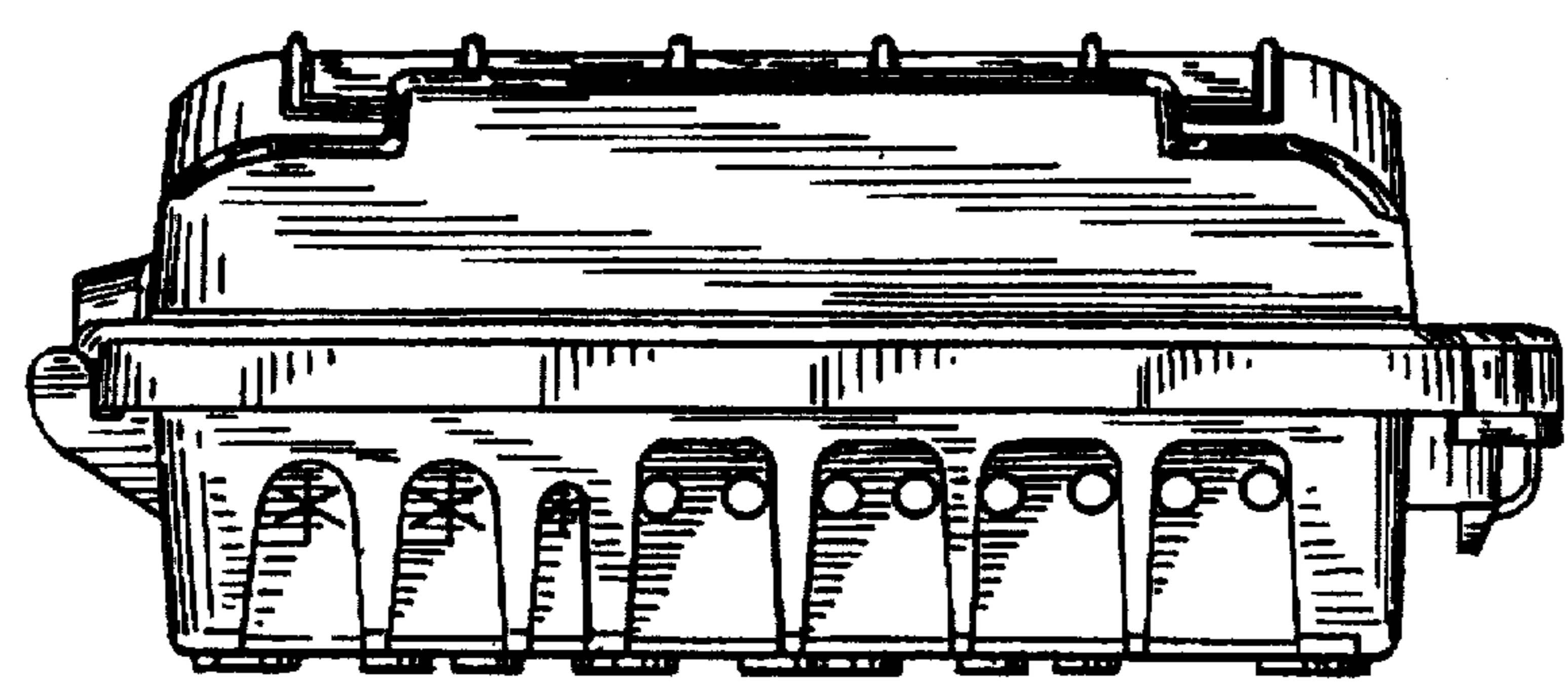


FIG. 4

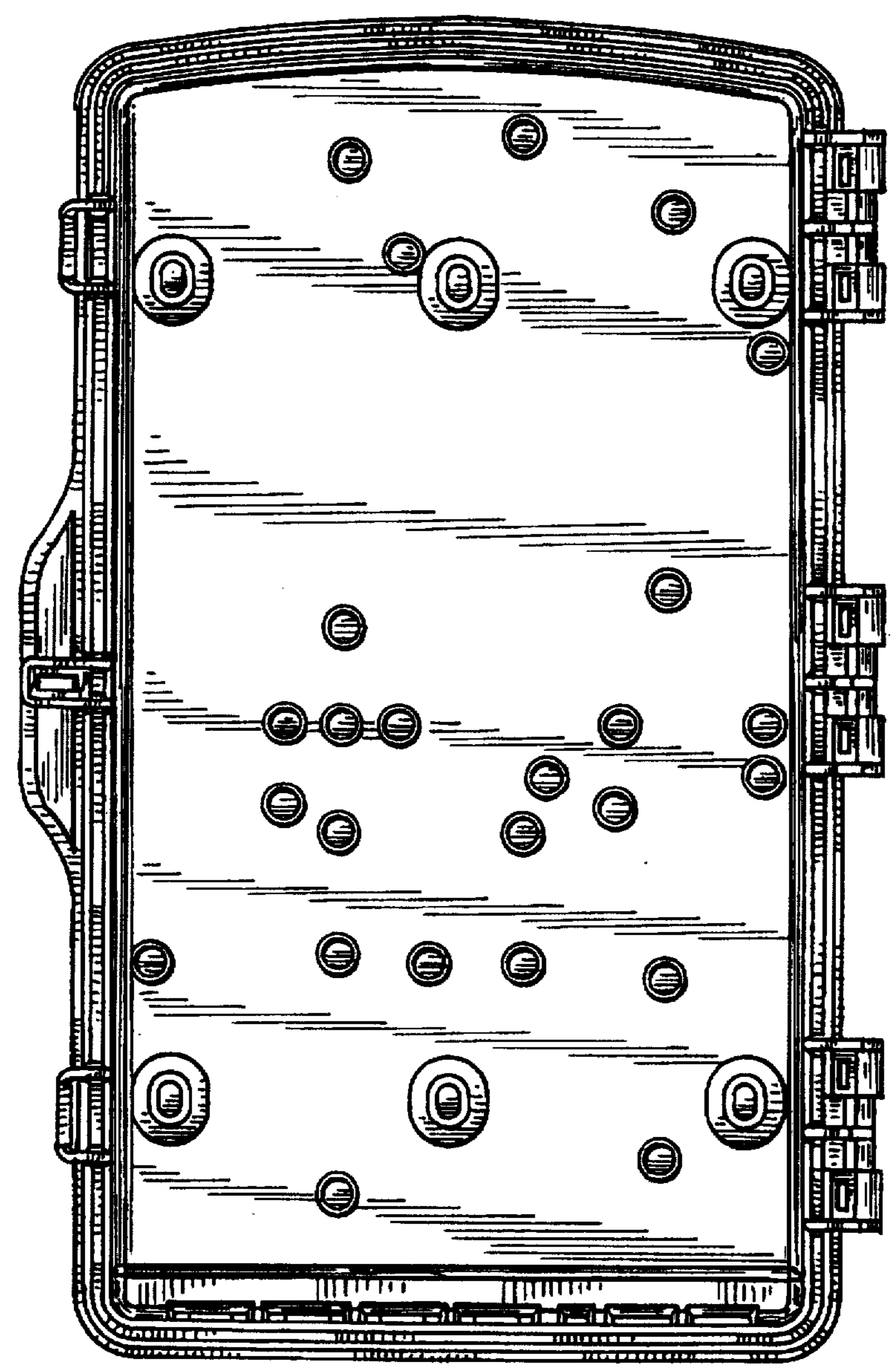


FIG. 6

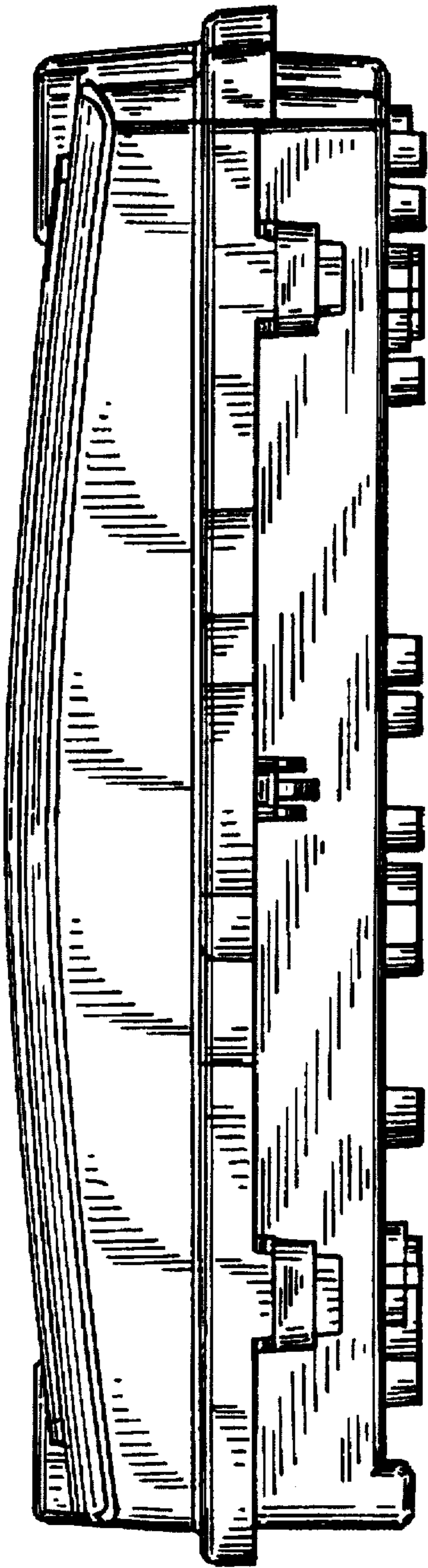


FIG. 7

