



US00D388056S

United States Patent [19]

[11] Patent Number: **Des. 388,056**

Fago et al.

[45] Date of Patent: ****Dec. 23, 1997**

[54] ACTUATOR FOR FOOT-OPERATED CONTROL SYSTEM

[75] Inventors: **Frank M. Fago, Mason; Brian J. Poland, Fairfield, both of Ohio**

[73] Assignee: **Liebel-Flarsheim Company, Cincinnati, Ohio**

[**] Term: **14 Years**

[21] Appl. No.: **44,757**

[22] Filed: **Sep. 29, 1995**

[51] LOC (6) Cl. **13-03**

[52] U.S. Cl. **D13/167**

[58] Field of Search **D13/158-178, D13/199; D11/96; 74/512, 560; 200/5 A, 5 R, 61, 865, 89, 293, 294, 303, 308, 309; 340/479, 573**

[56] References Cited

U.S. PATENT DOCUMENTS

D. 358,131	5/1995	Lorentzen	D13/162
D. 371,543	7/1996	Van Hout	D13/162
804,595	11/1905	Garhart	.	
1,919,968	7/1933	Trabold	.	
2,040,672	5/1936	Richter	.	
2,199,963	7/1940	Romberger	.	
2,293,409	8/1942	Smith	.	
2,384,805	9/1945	Arens	.	
2,460,494	2/1949	Eisenberg et al.	.	
2,482,540	9/1949	Furnas et al.	.	
2,707,036	4/1955	Hollub	.	
2,762,891	9/1956	Hill et al.	.	
3,381,565	5/1968	Haile	.	
3,399,287	8/1968	Euler	.	
3,536,229	10/1970	Boros	.	
3,598,947	8/1971	Osborn	.	
3,663,772	5/1972	Grabel et al.	.	
3,833,782	9/1974	Bartel	.	
3,841,172	10/1974	Pilch	.	
3,916,719	11/1975	Zwerenz	.	
3,963,890	6/1976	Staihammer	.	

3,980,848	9/1976	Schulz et al.	.
3,980,849	9/1976	Straihammer	.
3,983,334	9/1976	Straihammer	.
4,064,769	12/1977	Amdall et al.	.
4,354,838	10/1982	Hoyer et al.	.
4,417,875	11/1983	Matsui	.
4,527,983	7/1985	Booth	.
4,543,569	9/1985	Karlstrom	.
4,558,194	12/1985	Wiblin	.
4,586,398	5/1986	Yindra	.
4,687,200	8/1987	Shirai 200/5 A X
4,779,481	10/1988	Natzke et al.	.
4,983,901	1/1991	Lehmer	.
5,091,656	2/1992	Gahn	.
5,268,624	12/1993	Zanger	.
5,300,296	4/1994	Stoeckl	.
5,422,521	6/1995	Neer et al.	.

Primary Examiner—James Gandy
Assistant Examiner—Cathron B. Matta
Attorney, Agent, or Firm—Wood, Herron & Evans

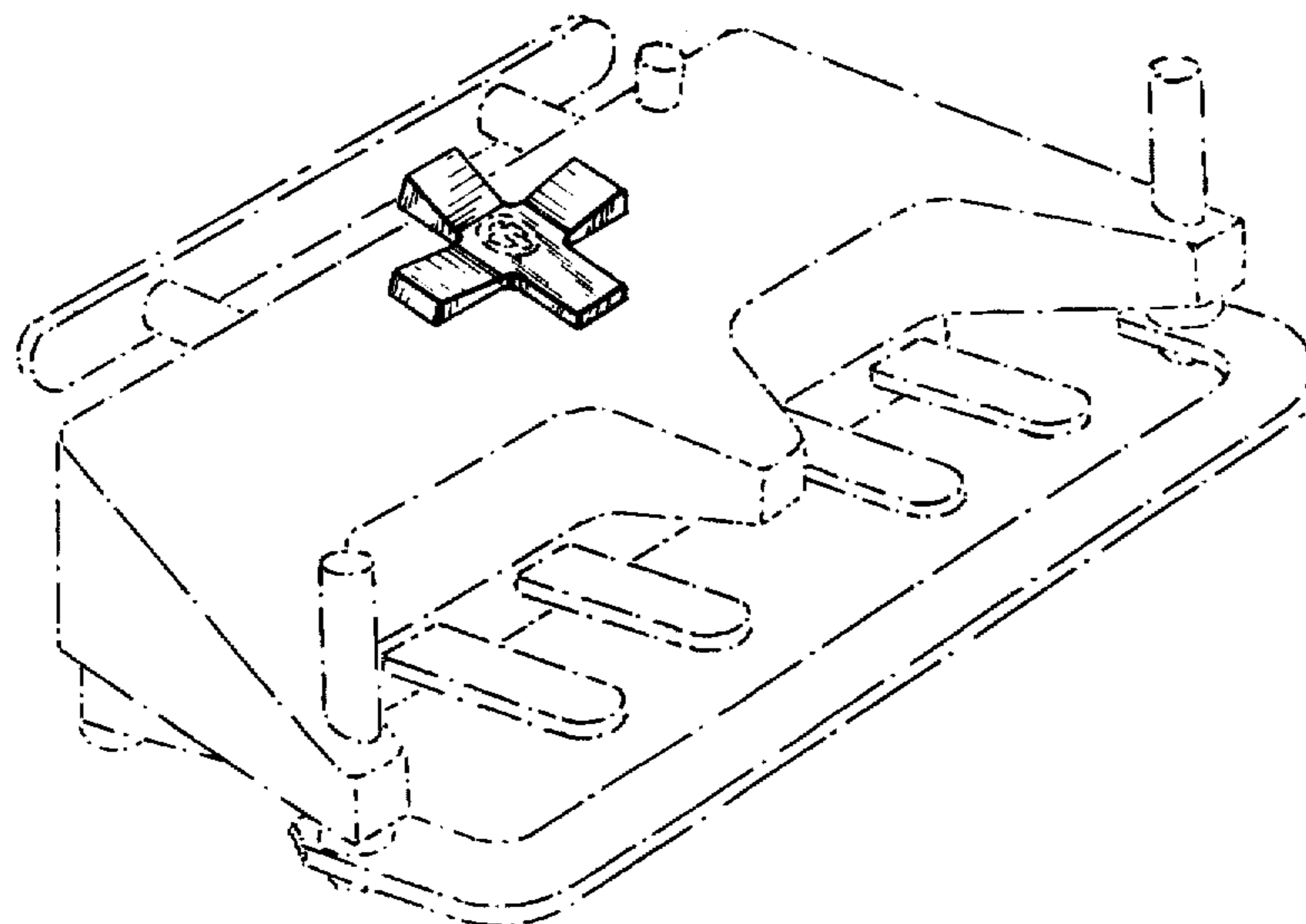
[57] CLAIM

The ornamental design for an actuator for foot-operated control system, as shown and described.

DESCRIPTION

FIG. 1 is a perspective view of the actuator of the invention in use with a foot-operated control system, shown in dashed lines to define the environment of the actuator, and forming no part of the claimed design;
FIG. 2 is a top view of the actuator of the invention, shown at an enlarged scale
FIG. 3 is a right side view of the actuator of the invention, shown at an enlarged scale with the left side view being a mirror image;
FIG. 4 is a front view of the actuator of the invention, shown at an enlarged scale;
FIG. 5 is a rear view of the actuator of the invention, shown at an enlarged scale; and,
FIG. 6 is a bottom view of the actuator of the invention, shown at an enlarged scale.

1 Claim, 1 Drawing Sheet



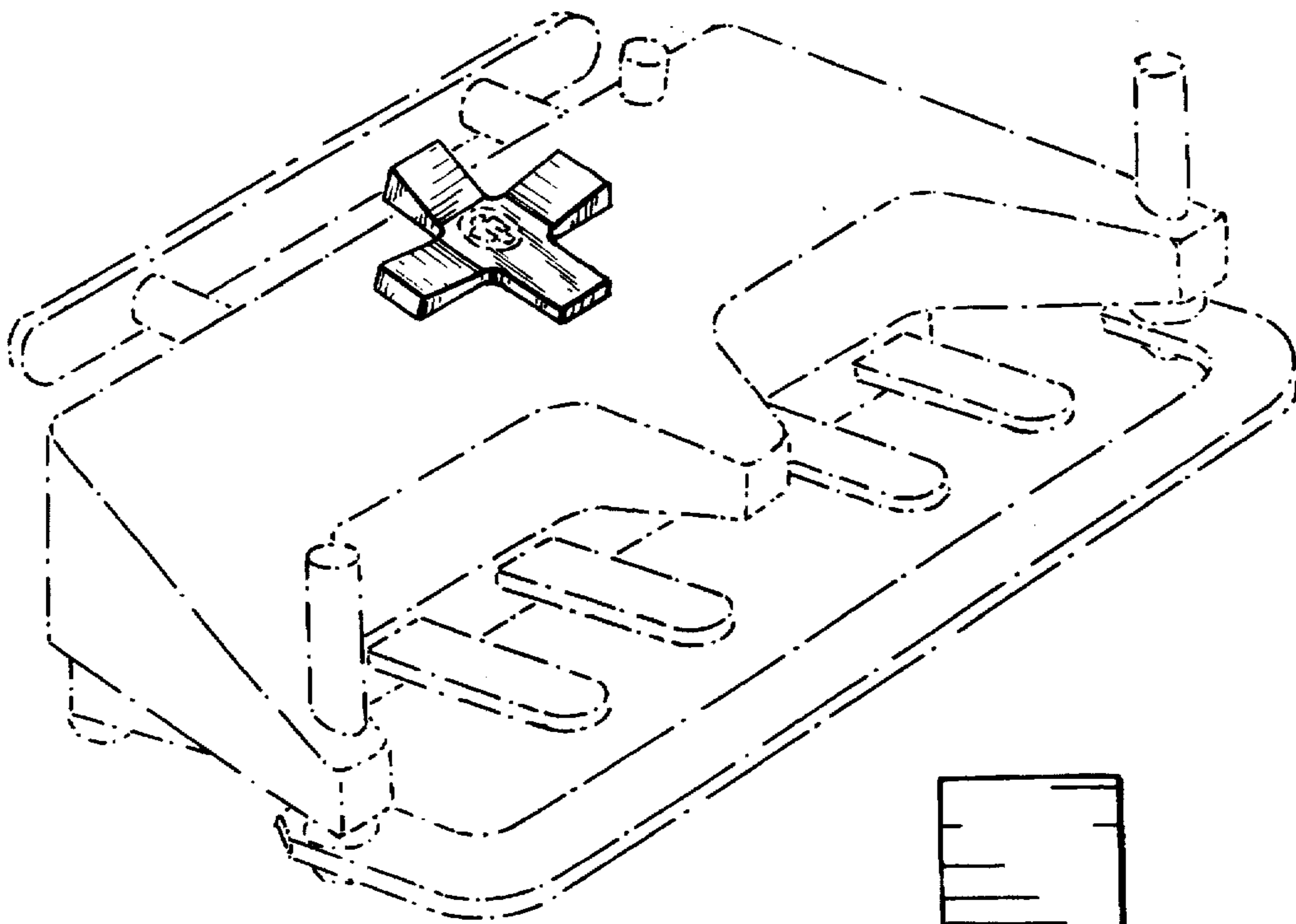


FIG. 1

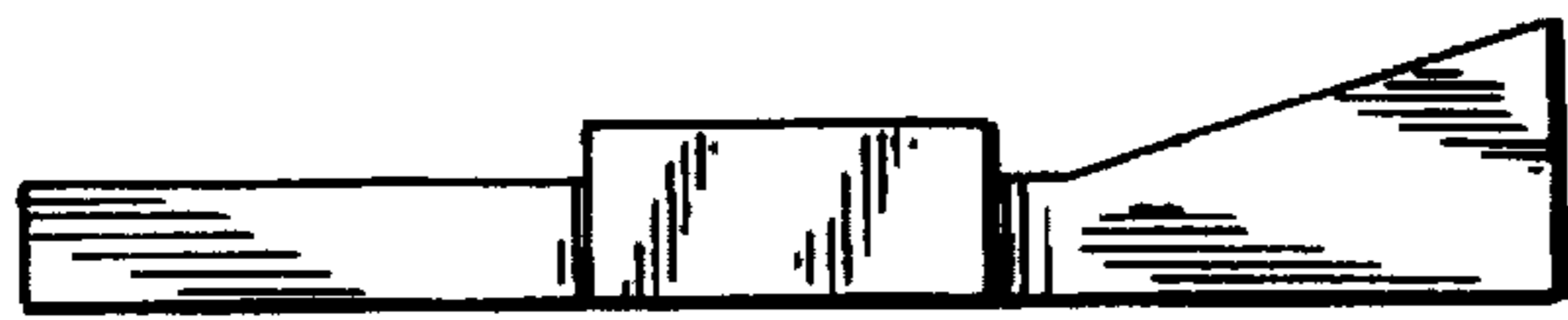


FIG. 3

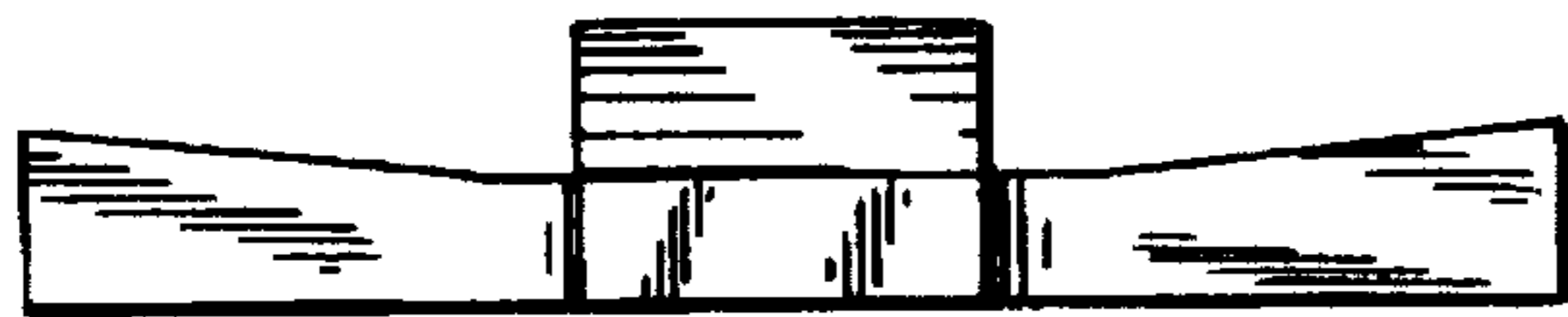


FIG. 4

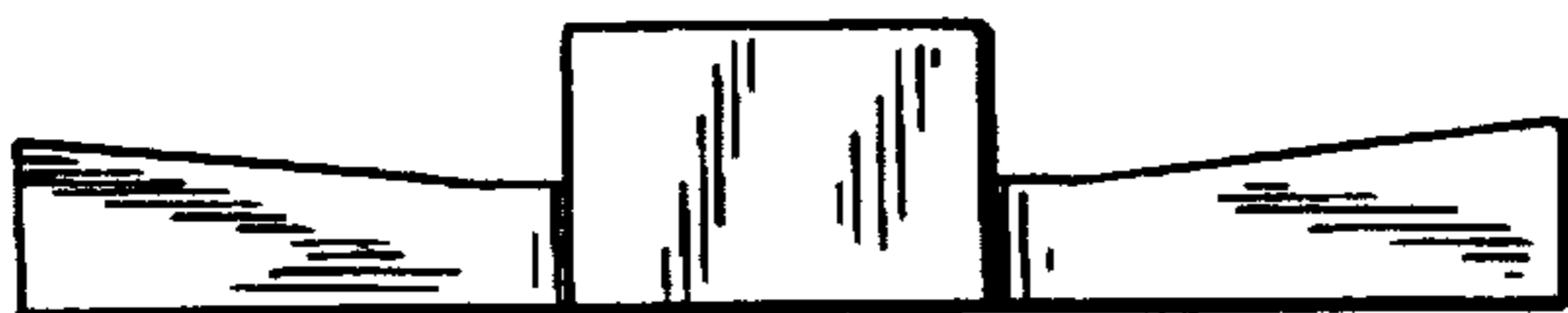


FIG. 5

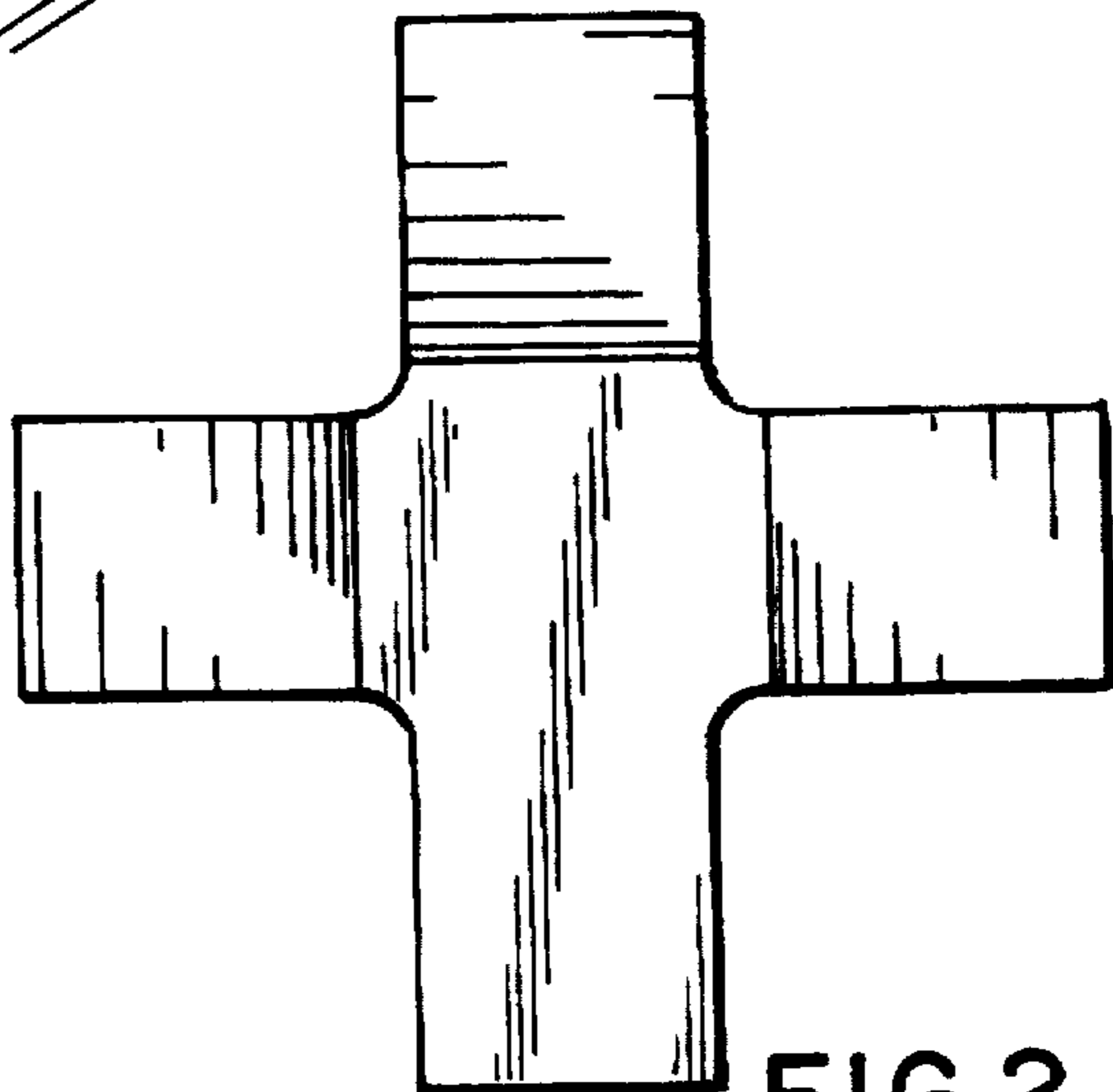


FIG. 2

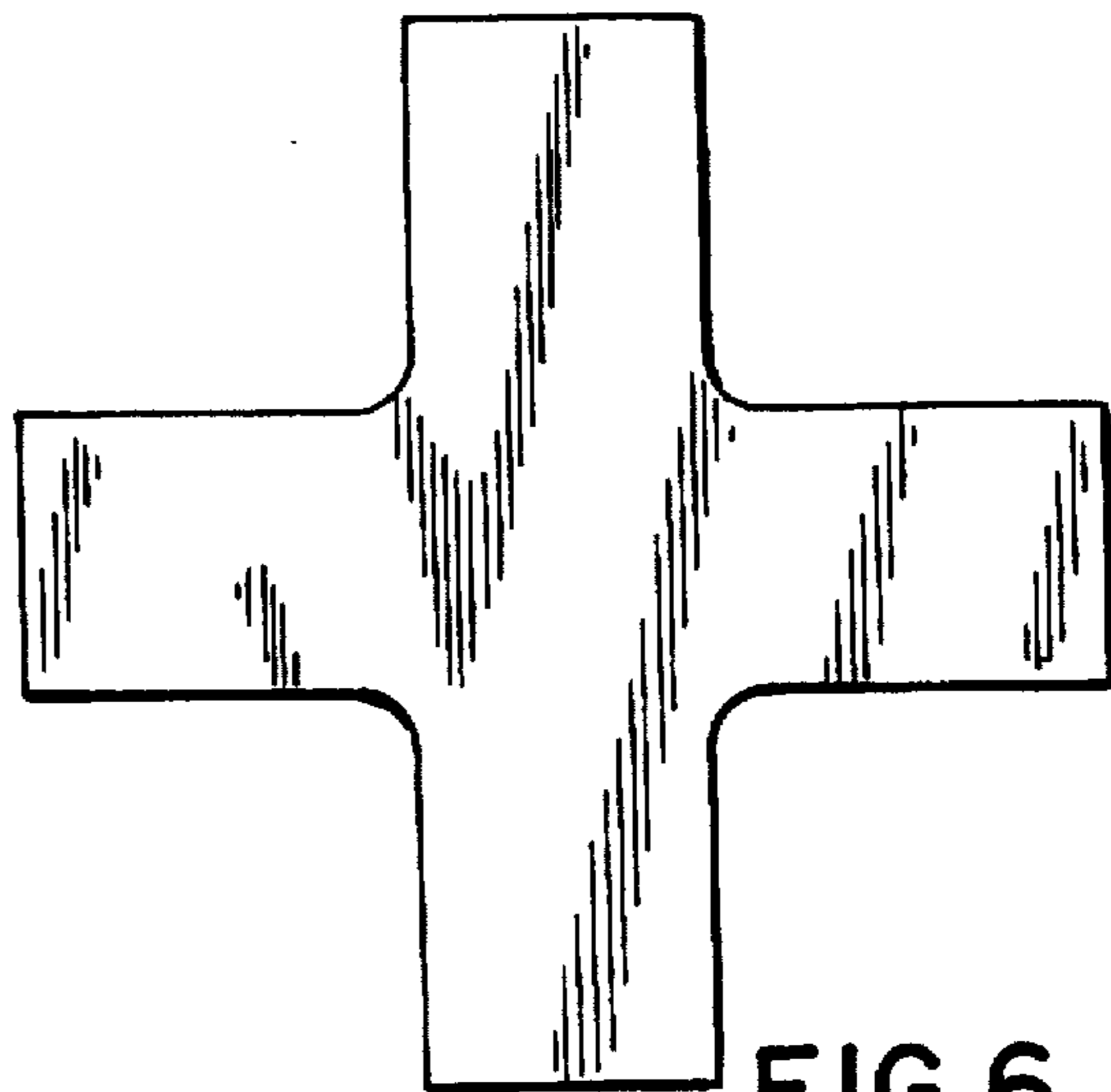


FIG. 6