



US00D388052S

United States Patent [19]
Lundbäck

[11] **Patent Number:** **Des. 388,052**
[45] **Date of Patent:** ****Dec. 23, 1997**

[54] **GROUNDING COMPONENT FOR ELECTRIC CABLES**

3,830,957 8/1974 Oberdiar 174/78
5,171,162 12/1992 Kaufman 439/394
5,286,211 2/1994 McIntosh 439/100

[75] **Inventor:** **Hans Olof Lundbäck, Sjuhult, Sweden**

Primary Examiner—Alan P. Douglas
Assistant Examiner—Lavone D. Tabor
Attorney, Agent, or Firm—McCormick, Paulding & Huber

[73] **Assignee:** **TeraCom Components AB, Horby, Sweden**

[**] **Term:** **14 Years**

[57] **CLAIM**

[21] **Appl. No.:** **46,806**

The ornamental design for a grounding component for electric cables, as shown and described.

[22] **Filed:** **Nov. 13, 1995**

DESCRIPTION

[30] **Foreign Application Priority Data**

May 19, 1995 [SE] Sweden 95-1029

[51] **LOC (6) Cl.** **13-03**

[52] **U.S. Cl.** **D13/133**

[58] **Field of Search** D13/133, 148,
D13/149, 150; 174/78; 439/92, 95, 98,
100, 101, 108

FIG. 1 is a bottom perspective view of the grounding component;
FIG. 2 is a top perspective view of the grounding component;
FIG. 3 is a first elevational view of the grounding component;
FIG. 4 is a second elevational view of the grounding component;
FIG. 5 is a third elevational view of the grounding component;
FIG. 6 is a fourth elevational view of the grounding component;
FIG. 7 is a top plan view of the grounding component; and,
FIG. 8 is a bottom plan view of the grounding component.

[56] **References Cited**

U.S. PATENT DOCUMENTS

D. 243,407 2/1977 Mooney et al. D13/149
D. 339,792 9/1993 Nardi et al. D13/149
3,274,447 9/1966 Nelson 317/61
3,515,948 6/1970 Gutshall 317/61

1 Claim, 4 Drawing Sheets

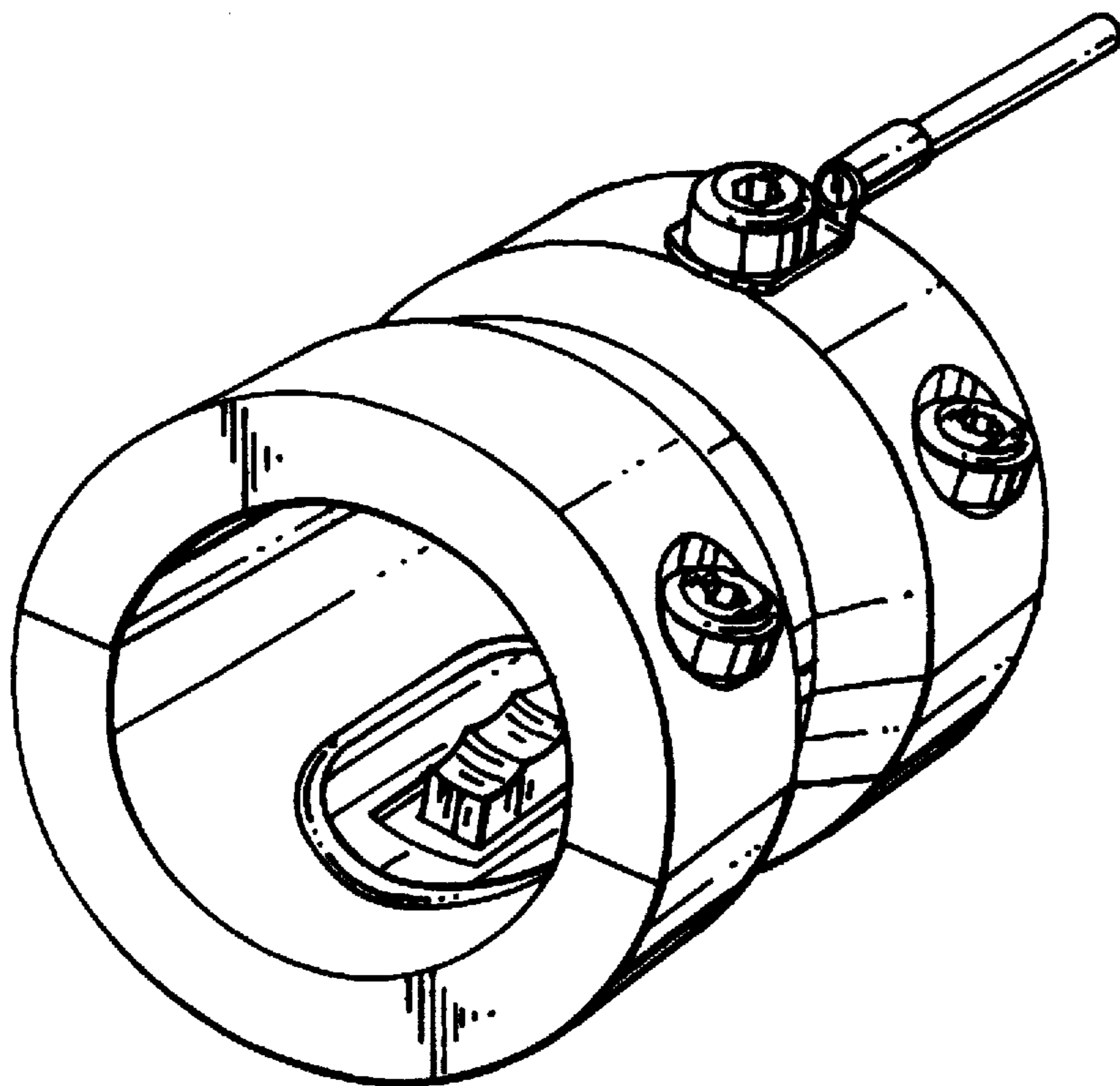


FIG. 1

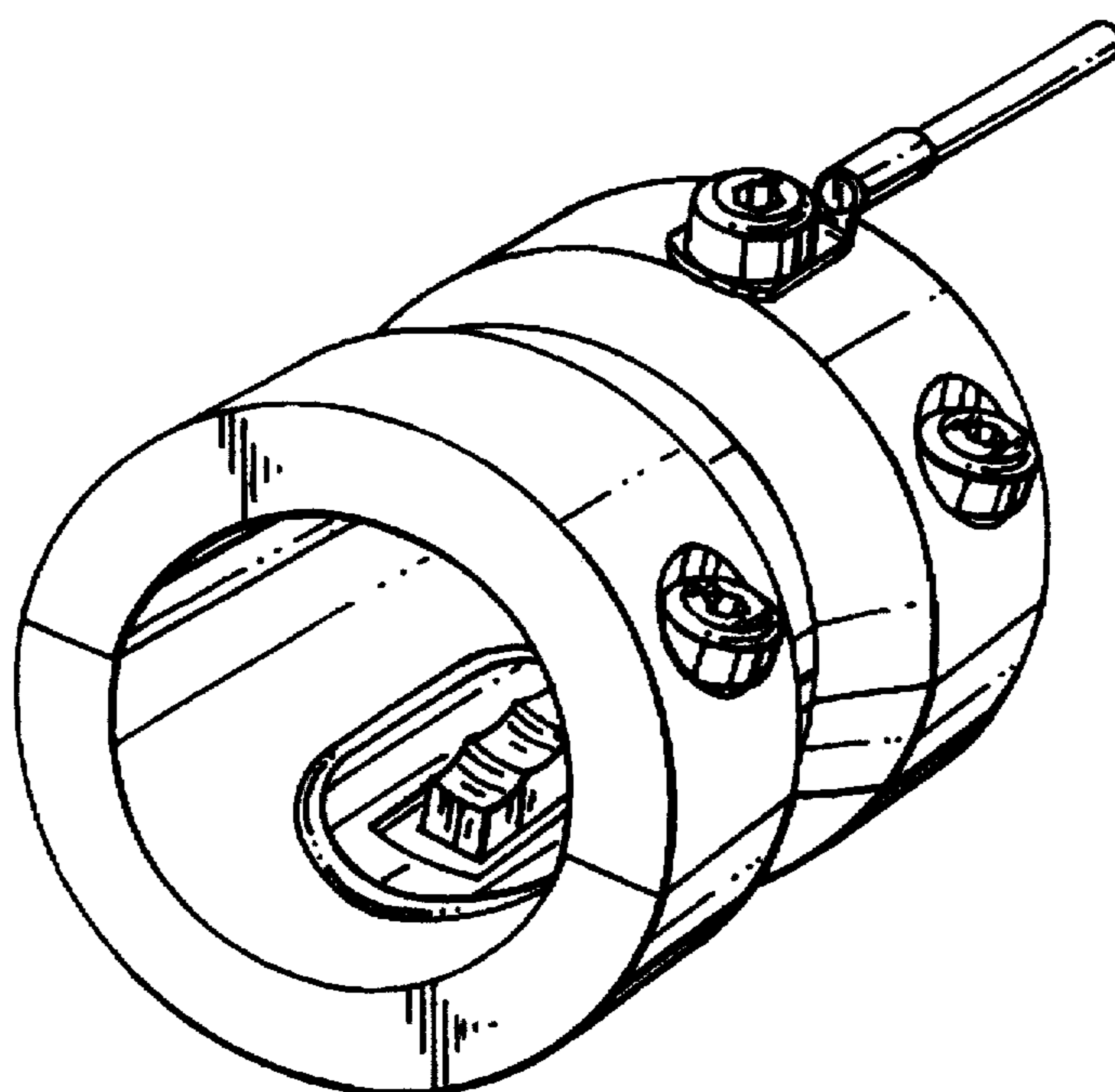
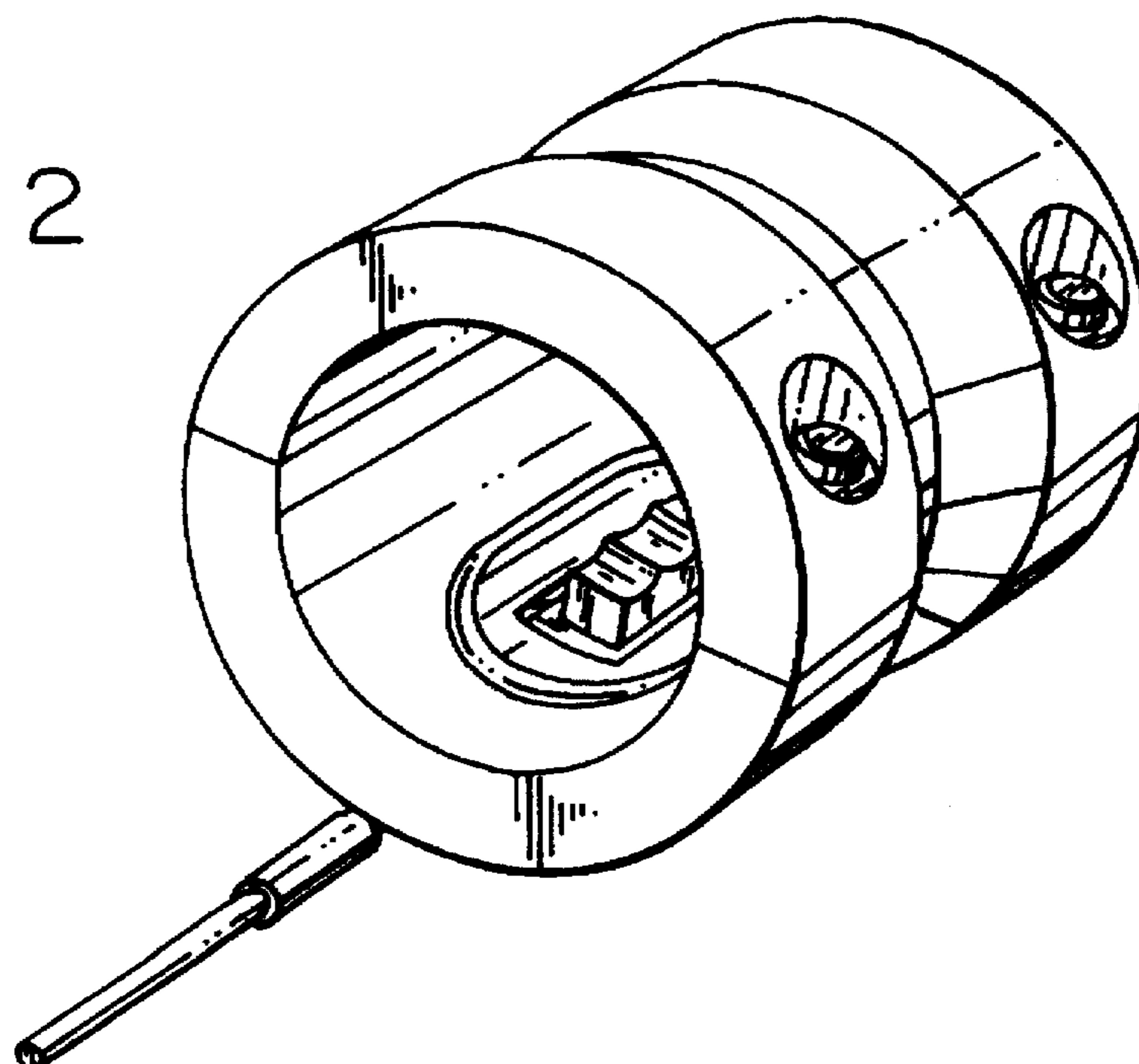


FIG. 2



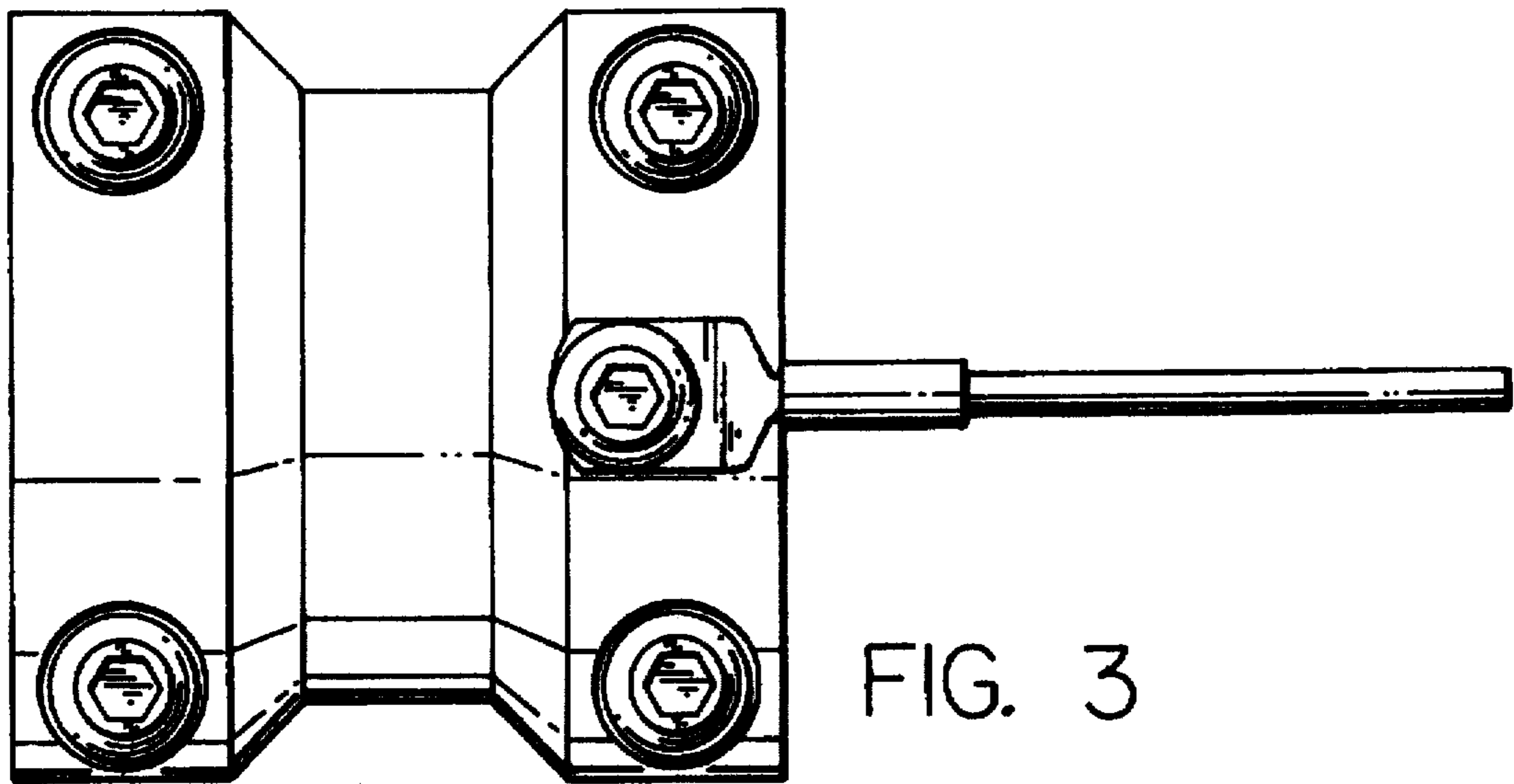


FIG. 3

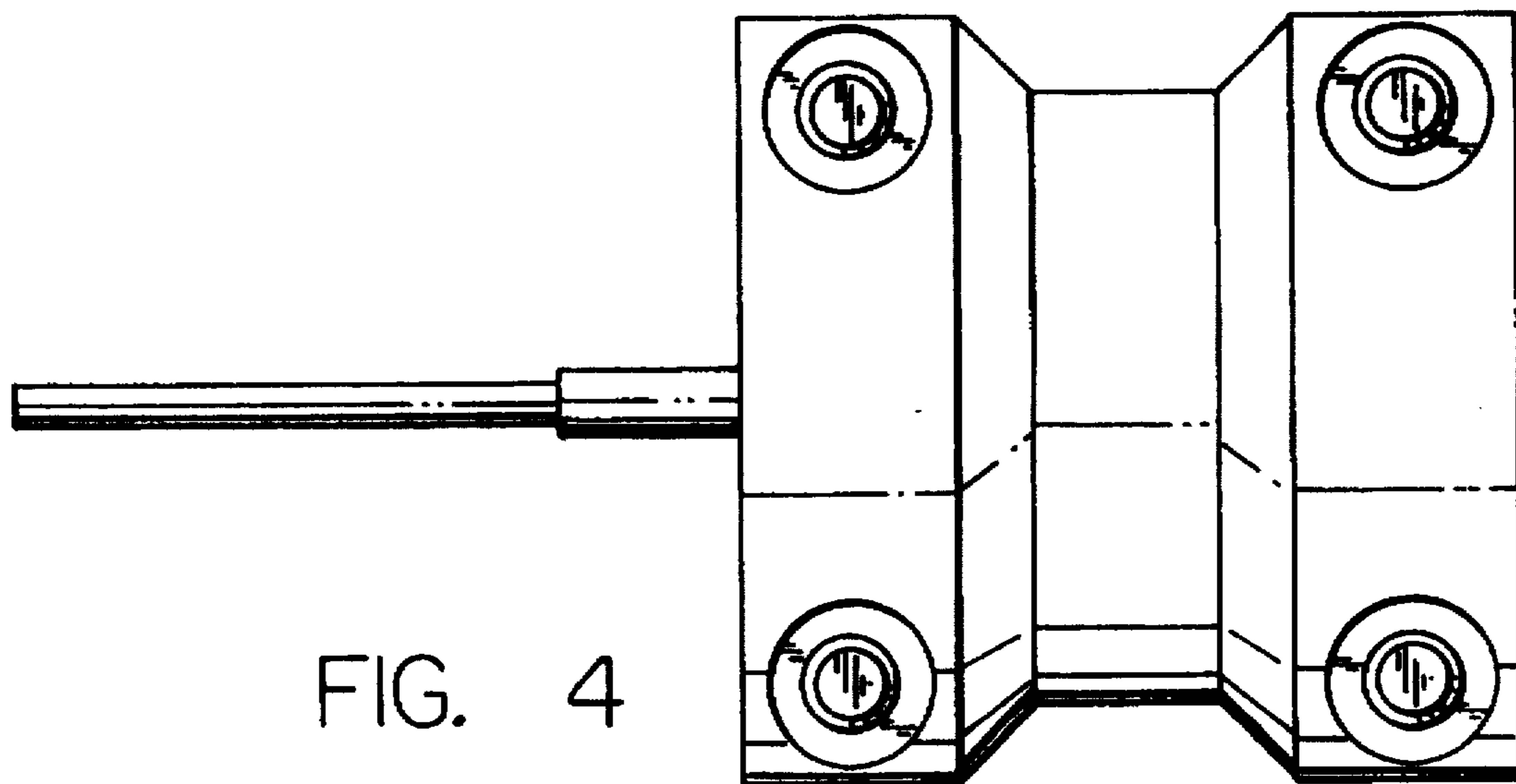


FIG. 4

FIG. 5

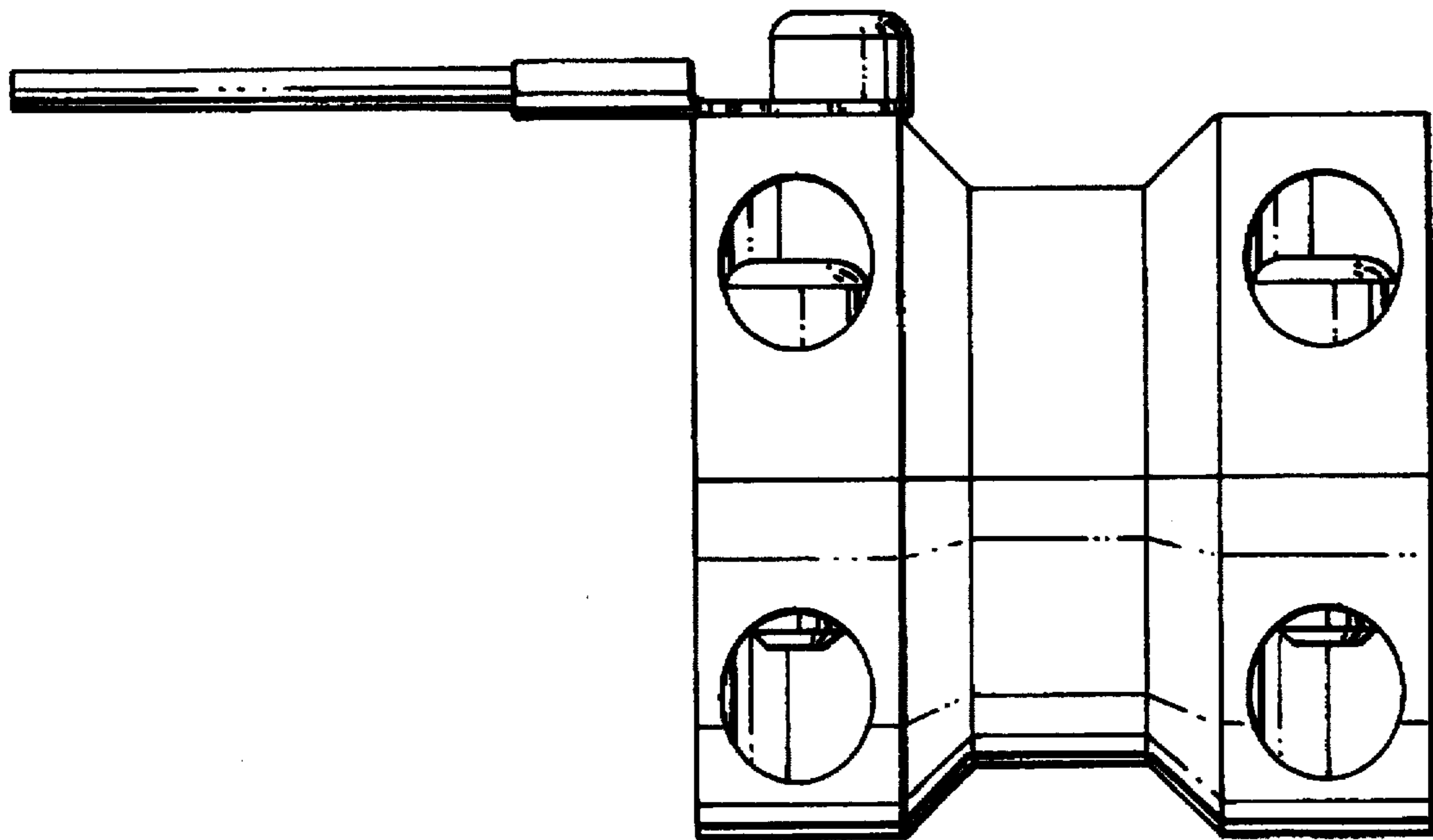


FIG. 6

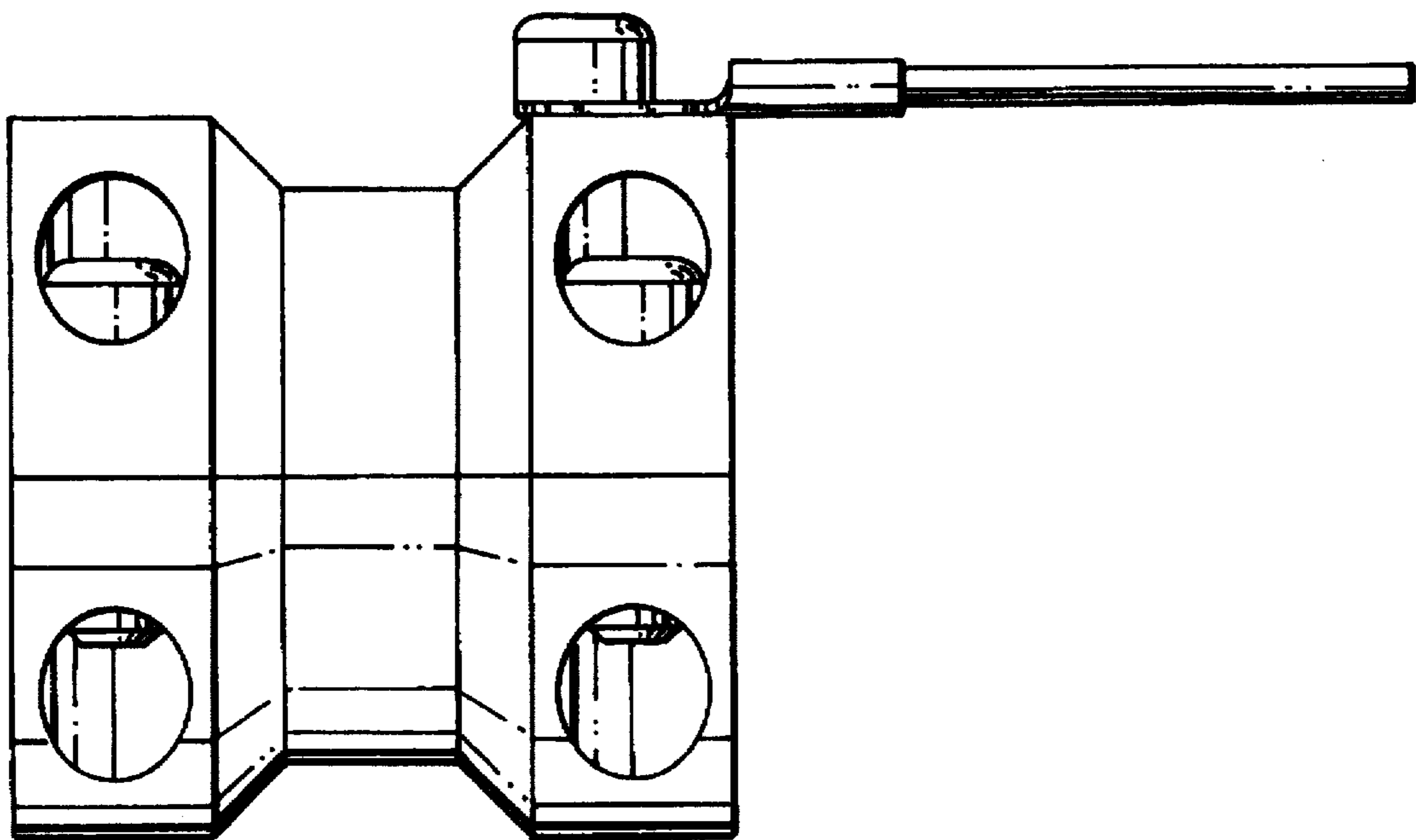


FIG. 7

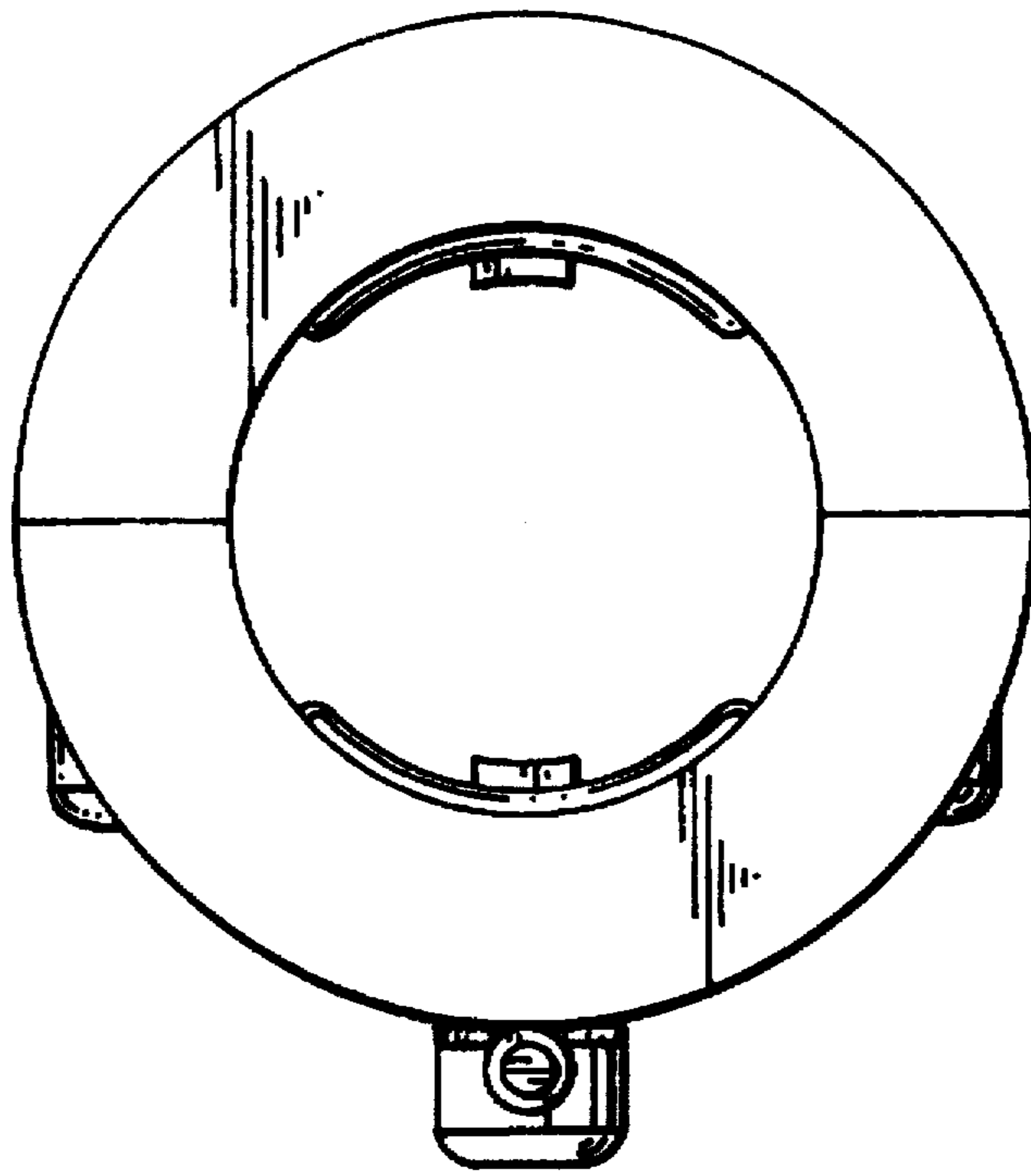


FIG. 8

