



US00D388027S

# United States Patent [19]

Polak et al.

[11] Patent Number: **Des. 388,027**

[45] Date of Patent: **\*\*Dec. 23, 1997**

[54] ANTIQUE SPORT VEHICLE STROLLER

D. 365,313 12/1995 Moseitch et al. .... D12/129  
4,089,543 5/1978 Osborne ..... D12/128

[76] Inventors: **John C. Polak; Antoinette M. Polak; M. Darlene Polak; M. Antoinette Polak**, all of 6748 Del Cerro Blvd., San Diego, Calif. 92120

*Primary Examiner*—Kay H. Chin  
*Attorney, Agent, or Firm*—Brown, Martin, Haller and McClain

[\*\*] Term: **14 Years**

[57] **CLAIM**

[21] Appl. No.: **60,986**

The ornamental design for a antique sport vehicle stroller, as shown.

[22] Filed: **Oct. 8, 1996**

**DESCRIPTION**

[51] LOC (6) Cl. .... **12-12**

[52] U.S. Cl. .... **D12/129**

[58] Field of Search ..... D12/128, 129,  
D12/133; 280/647, 650, 648, 37, 680; D21/76,  
78, 71, 136, 137

FIG. 1 is a left front perspective view of a antique sport vehicle stroller, showing our new design;  
FIG. 2 is a right rear perspective view thereof;  
FIG. 3 is a left side elevational view thereof, with the top lowered;  
FIG. 4 is a front view thereof;  
FIG. 5 is a rear view thereof;  
FIG. 6 is a top plan view thereof; and,  
FIG. 7 is a bottom plan view thereof.

[56] **References Cited**

**U.S. PATENT DOCUMENTS**

D. 305,011 12/1989 Pipon ..... D12/129  
D. 365,311 12/1995 Moseitch et al. .... D12/129  
D. 365,312 12/1995 Moseitch et al. .... D12/129

**1 Claim, 3 Drawing Sheets**

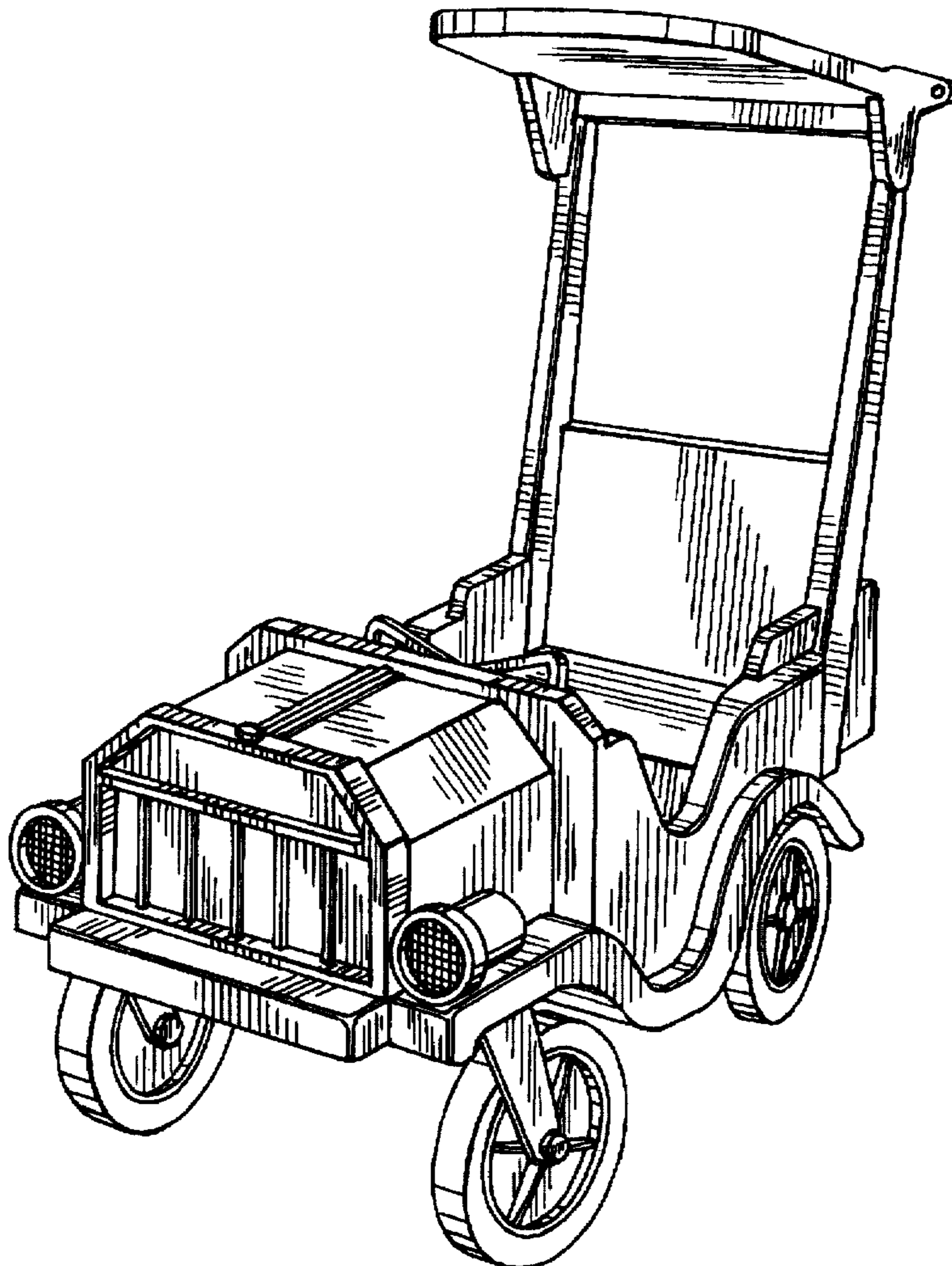


FIG. 1

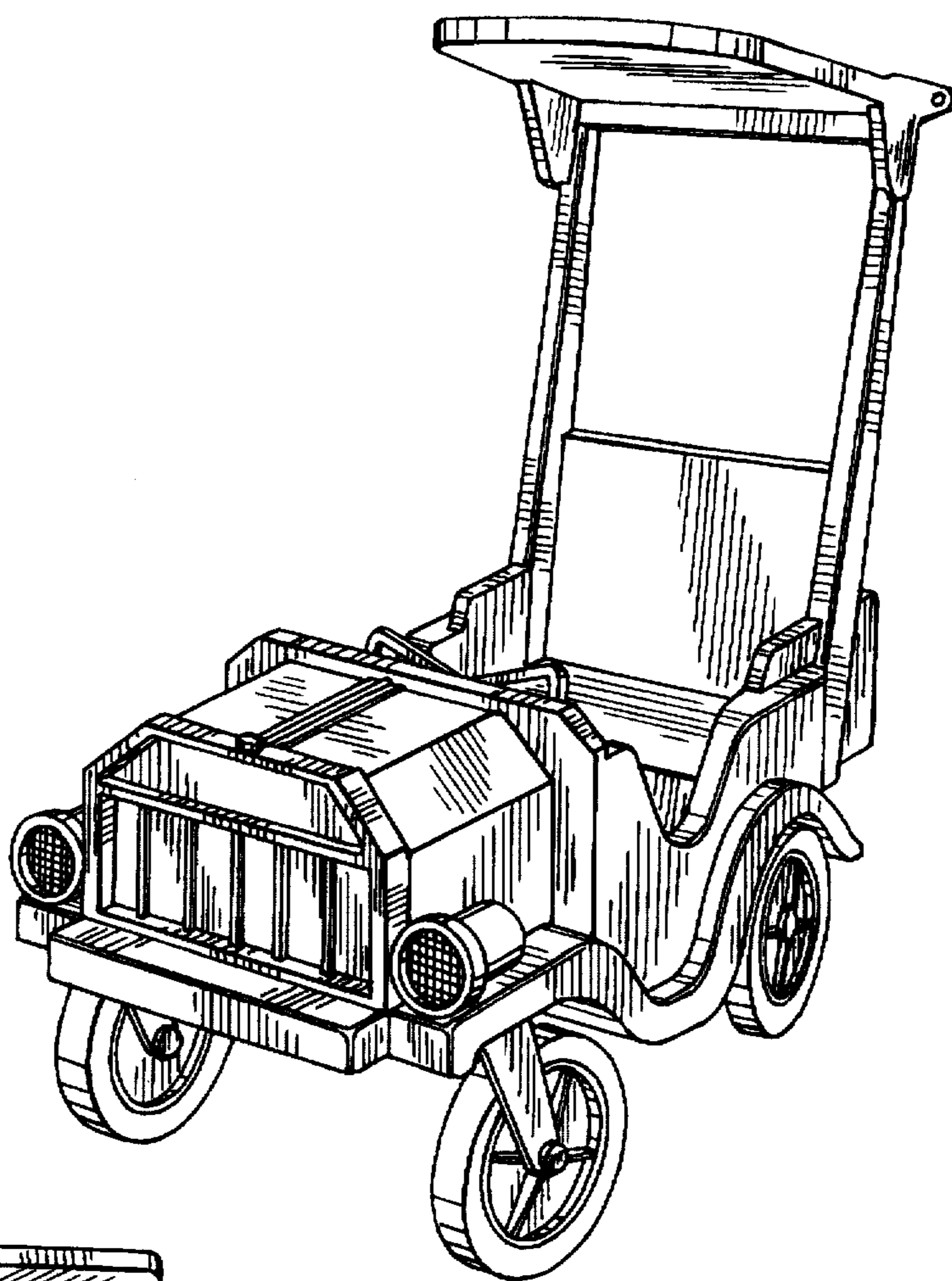


FIG. 2

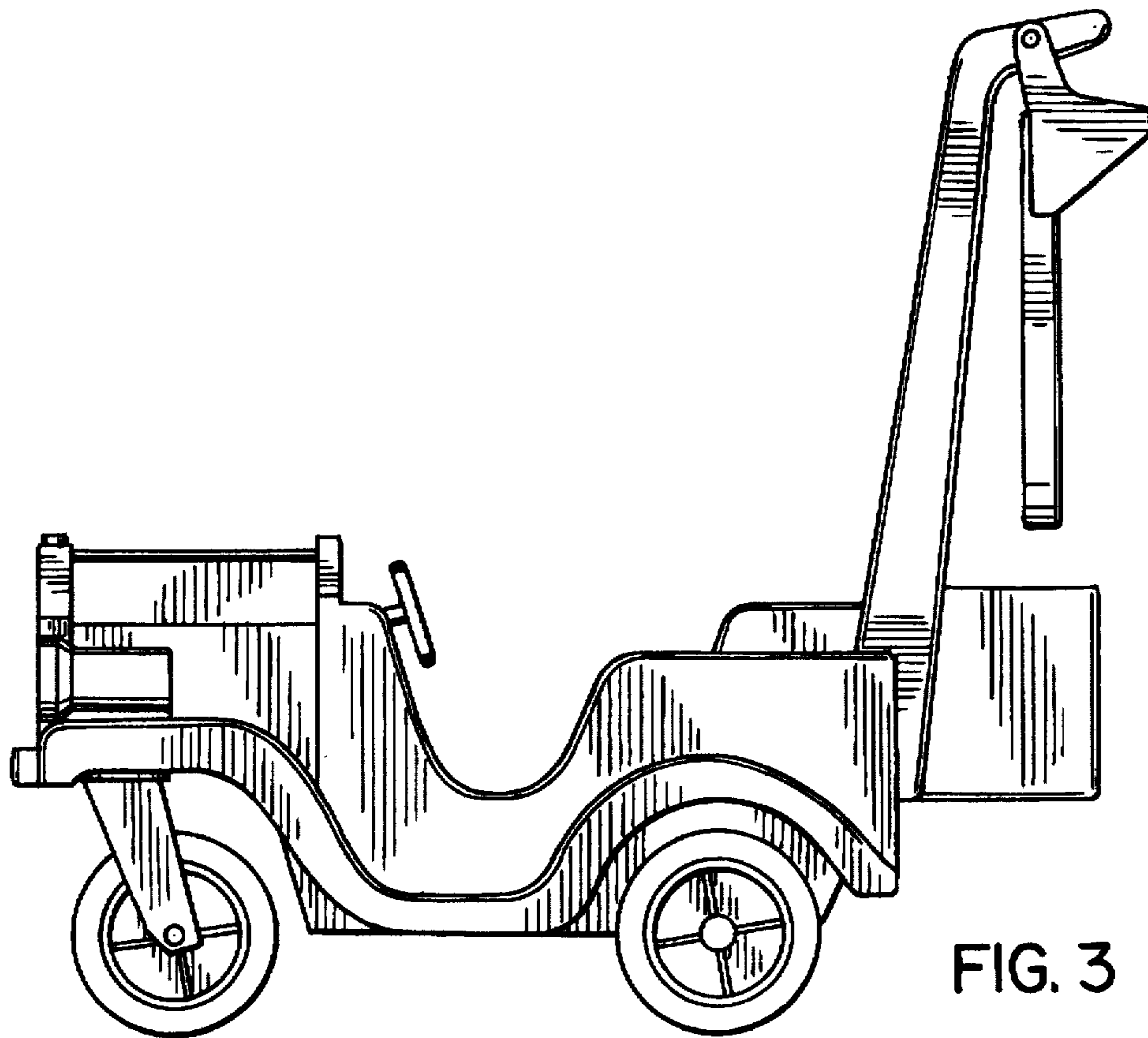


FIG. 3

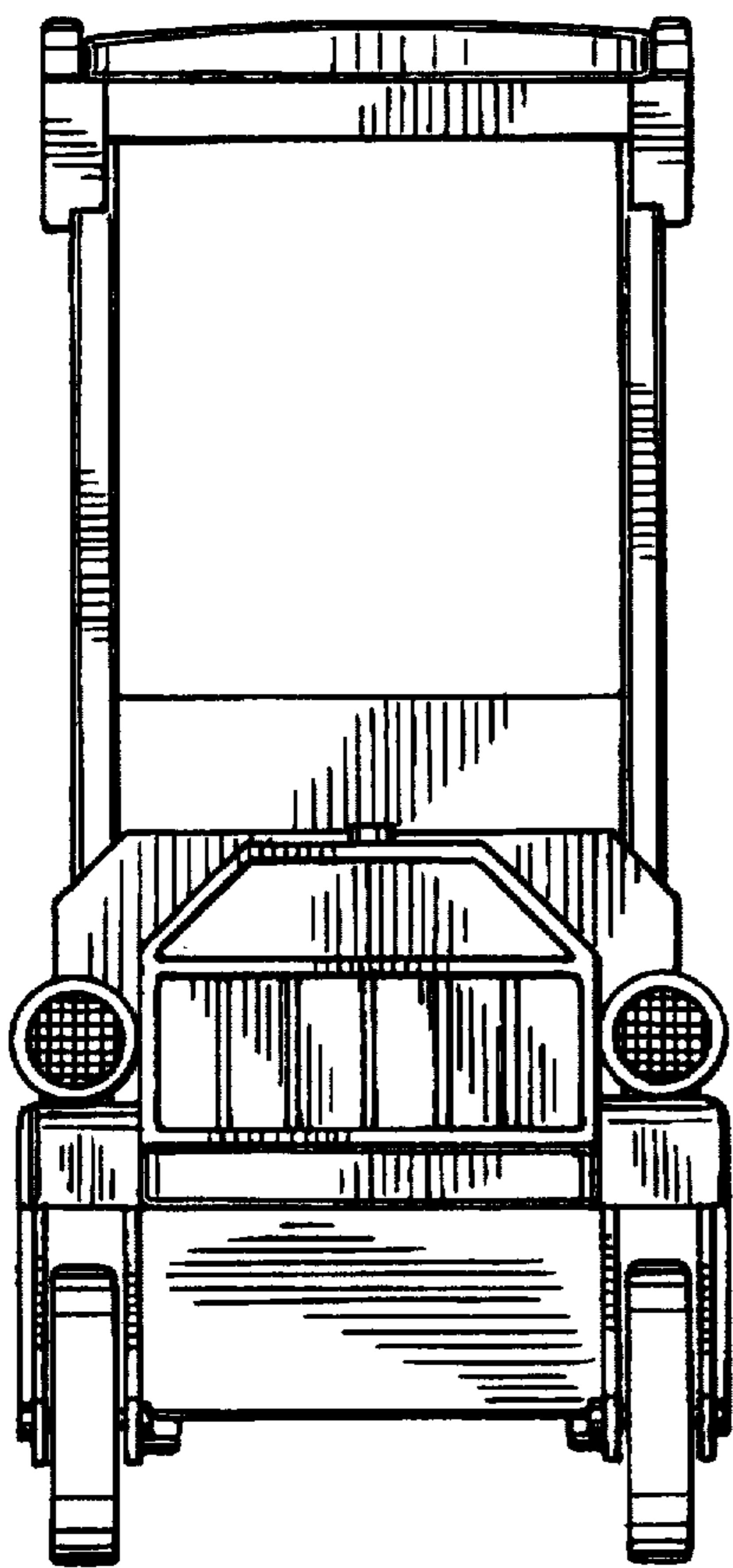


FIG. 4

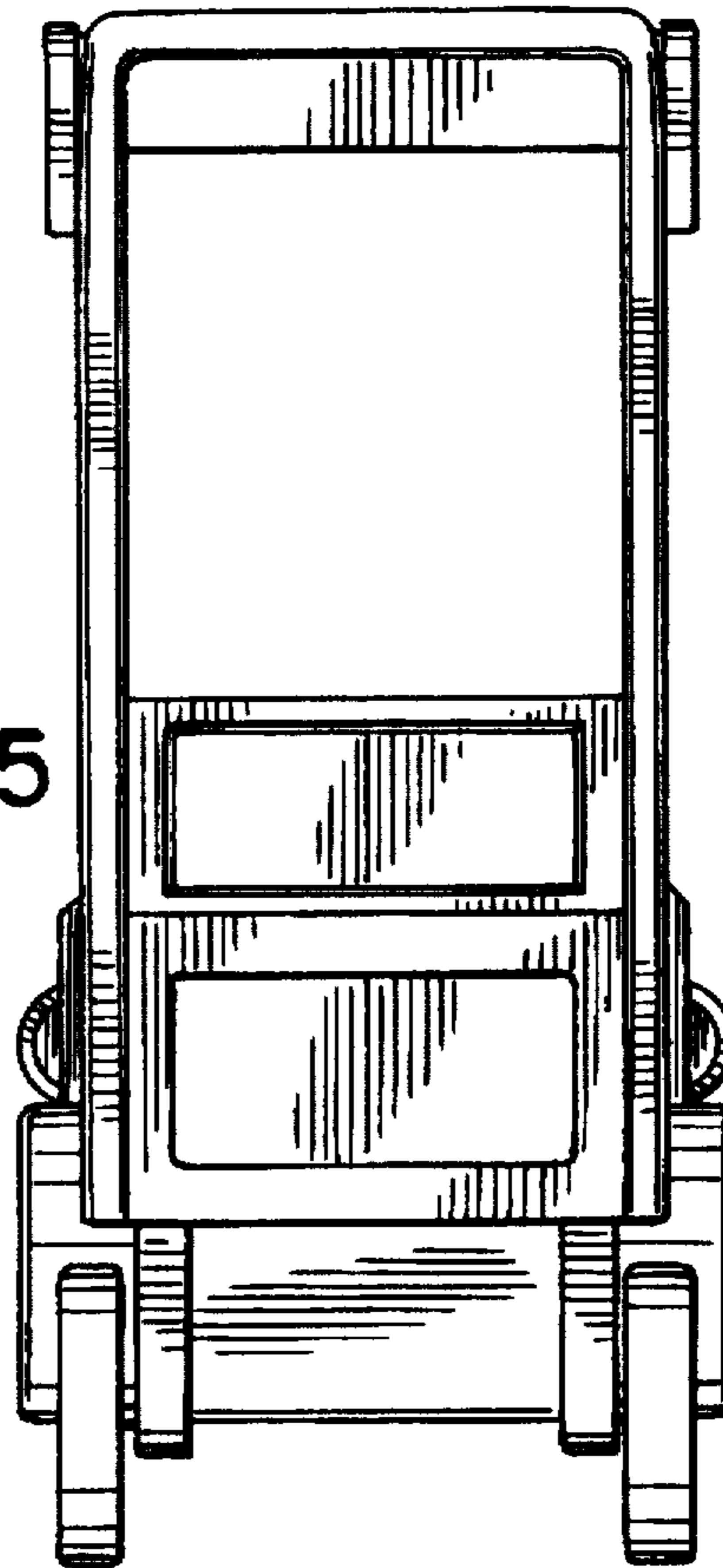


FIG. 5

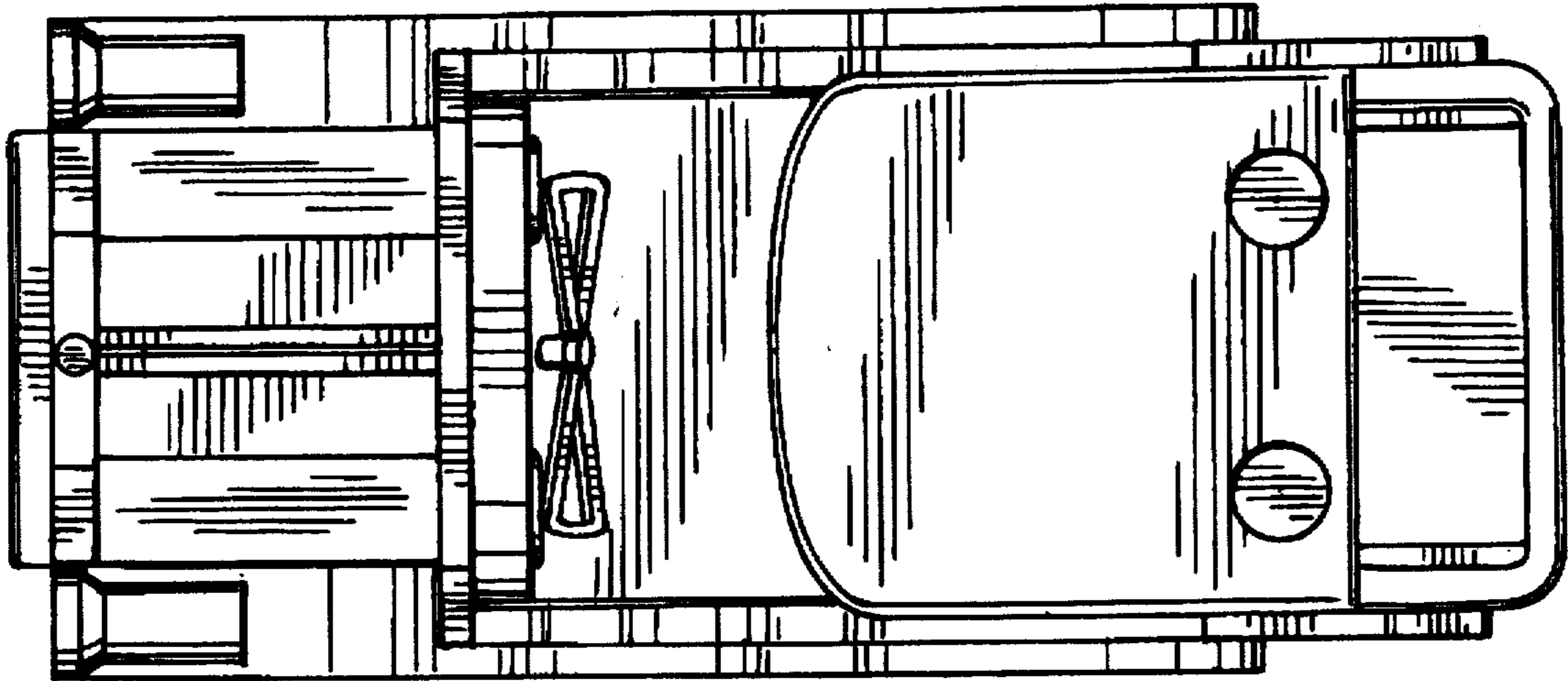


FIG. 6

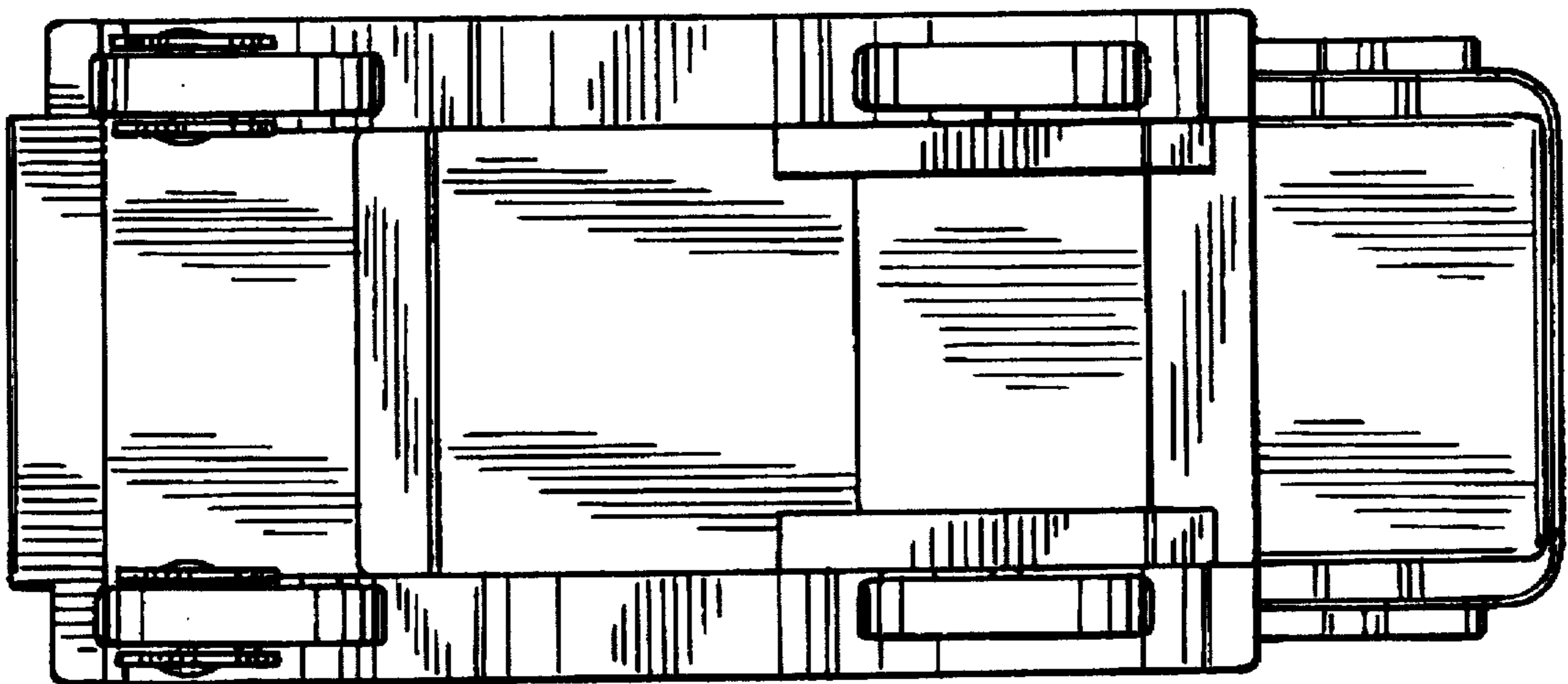


FIG. 7