



US00D388023S

# United States Patent [19] Genovese

[11] Patent Number: Des. 388,023

[45] Date of Patent: \*\*Dec. 23, 1997

[54] VENDING CART

[76] Inventor: Alan A. Genovese, 1302 Clarkson Clayton Center, Suite 209, Ellisville, Mo. 63011

[\*\*] Term: 14 Years

[21] Appl. No.: 52,420

[22] Filed: Mar. 29, 1996

[51] LOC (6) Cl. .... 12-14

[52] U.S. Cl. .... D12/1

[58] Field of Search ..... D12/1, 14, 19, D12/20; 296/22; D25/16; D34/12, 13, 17, 19

[56] **References Cited**

**U.S. PATENT DOCUMENTS**

- D. 148,412 1/1948 Goodman ..... D34/18 X
- D. 154,788 8/1949 Loyacano et al. .... D34/13
- D. 181,254 10/1957 Heffelfinger ..... D12/1 X
- D. 228,631 10/1973 Rogove et al. .... D34/18
- D. 234,945 4/1975 McCooey ..... D34/13
- D. 322,500 12/1991 Van Stokkum ..... D34/13 X

**OTHER PUBLICATIONS**

Lucky Dogs, Inc. U.S. Trademark Registration No. 1,429,464; Lucky Dogs and Design; Registered Feb. 17, 1987.

Primary Examiner—Doris V. Coles  
Assistant Examiner—Catherine R. Oliver

Attorney, Agent, or Firm—Senniger, Powers, Leavitt & Roedel

[57] **CLAIM**

The ornamental design for a vending cart, as shown and described.

**DESCRIPTION**

FIG. 1 is a front elevational view of a vending cart embodying my new design;

FIG. 2 is a top plan view;

FIG. 3 is a bottom plan view;

FIG. 4 is a right side view;

FIG. 5 is a left side view;

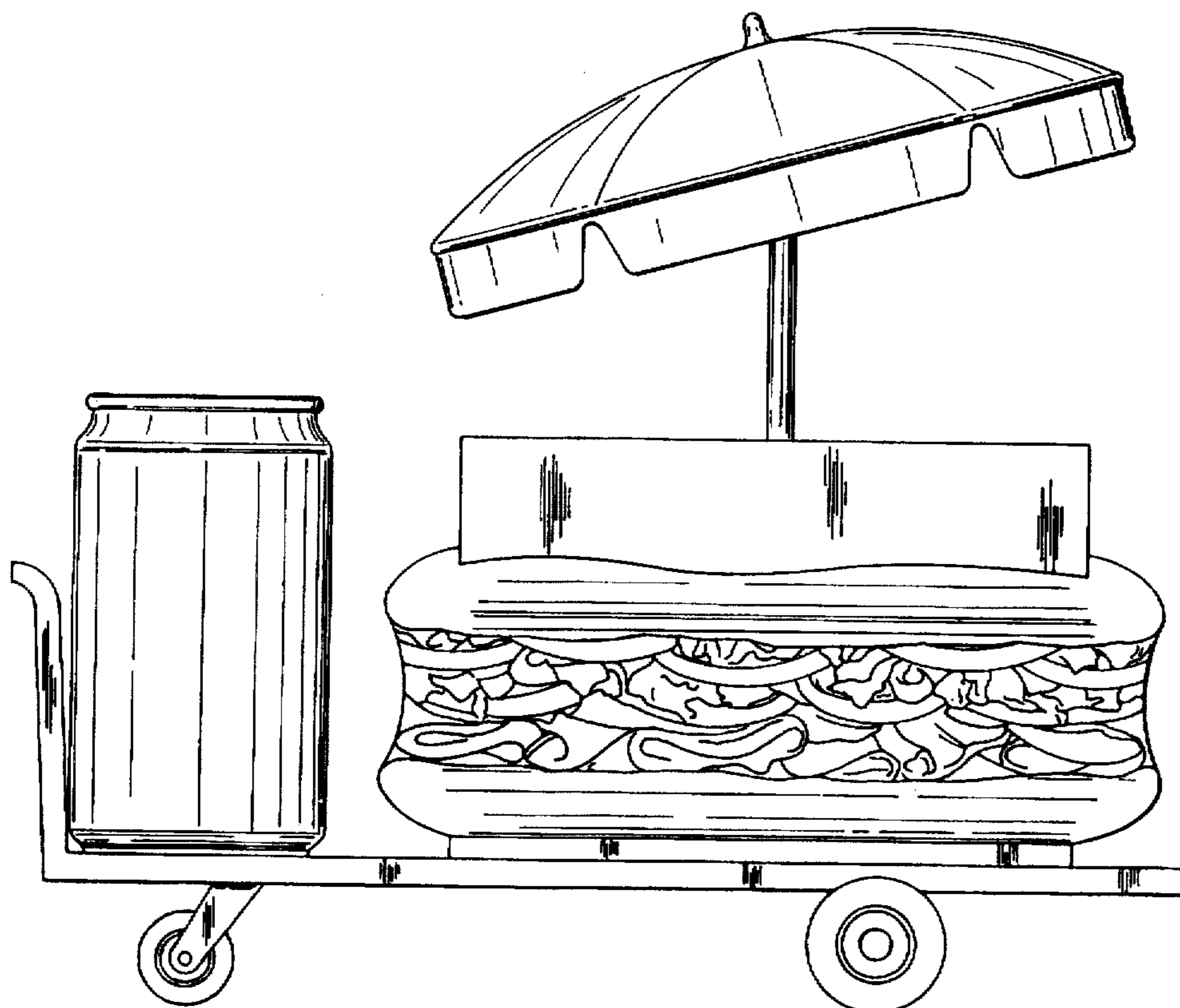
FIG. 6 is a second embodiment with an optional lower end trim panel;

FIG. 7 is right side;

FIG. 8 is a rear elevational view of FIG. 1; and,

FIG. 9 is a top view of FIG. 1 with the umbrella removed for convenience of illustration.

1 Claim, 8 Drawing Sheets



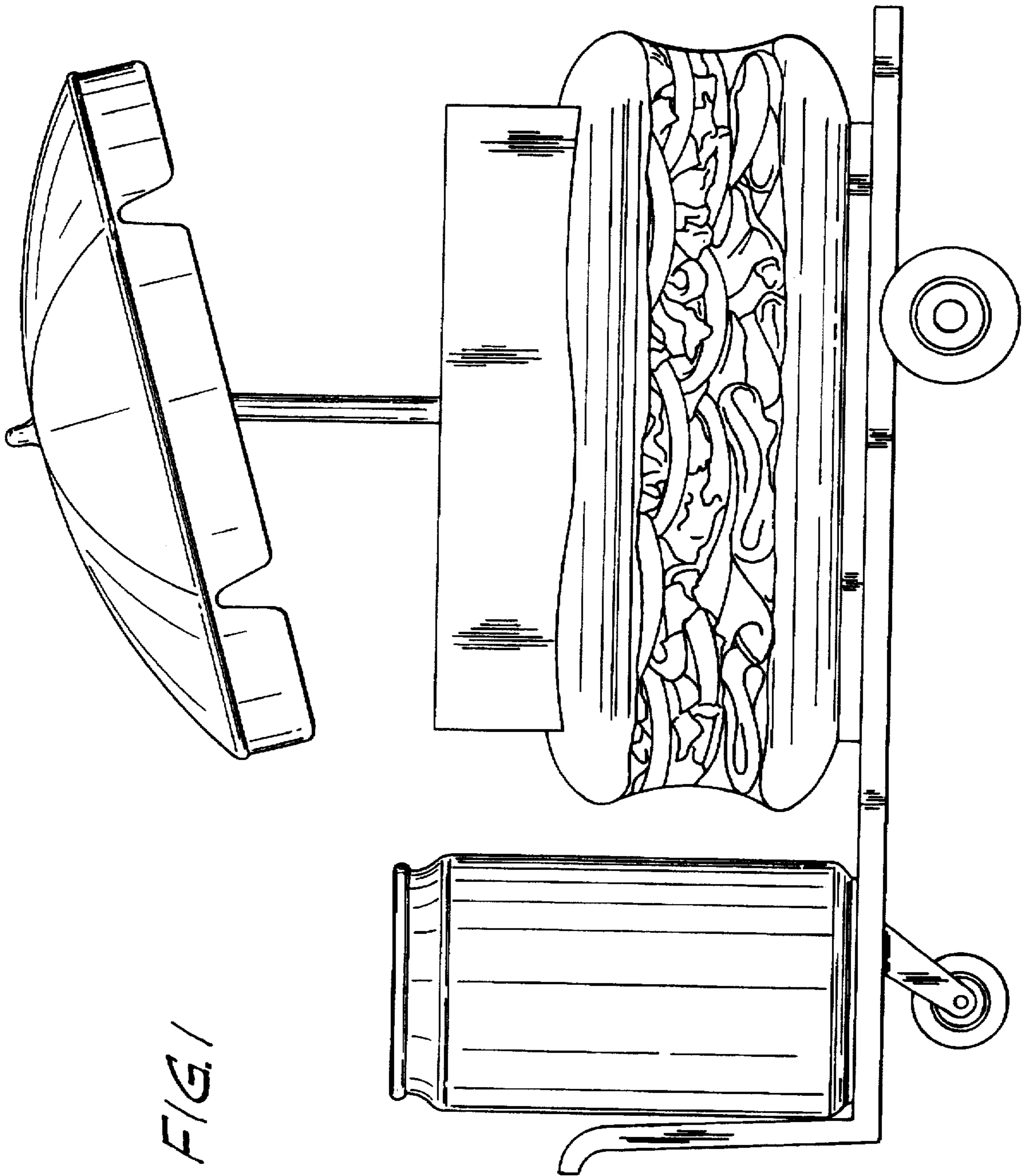


FIG. 1

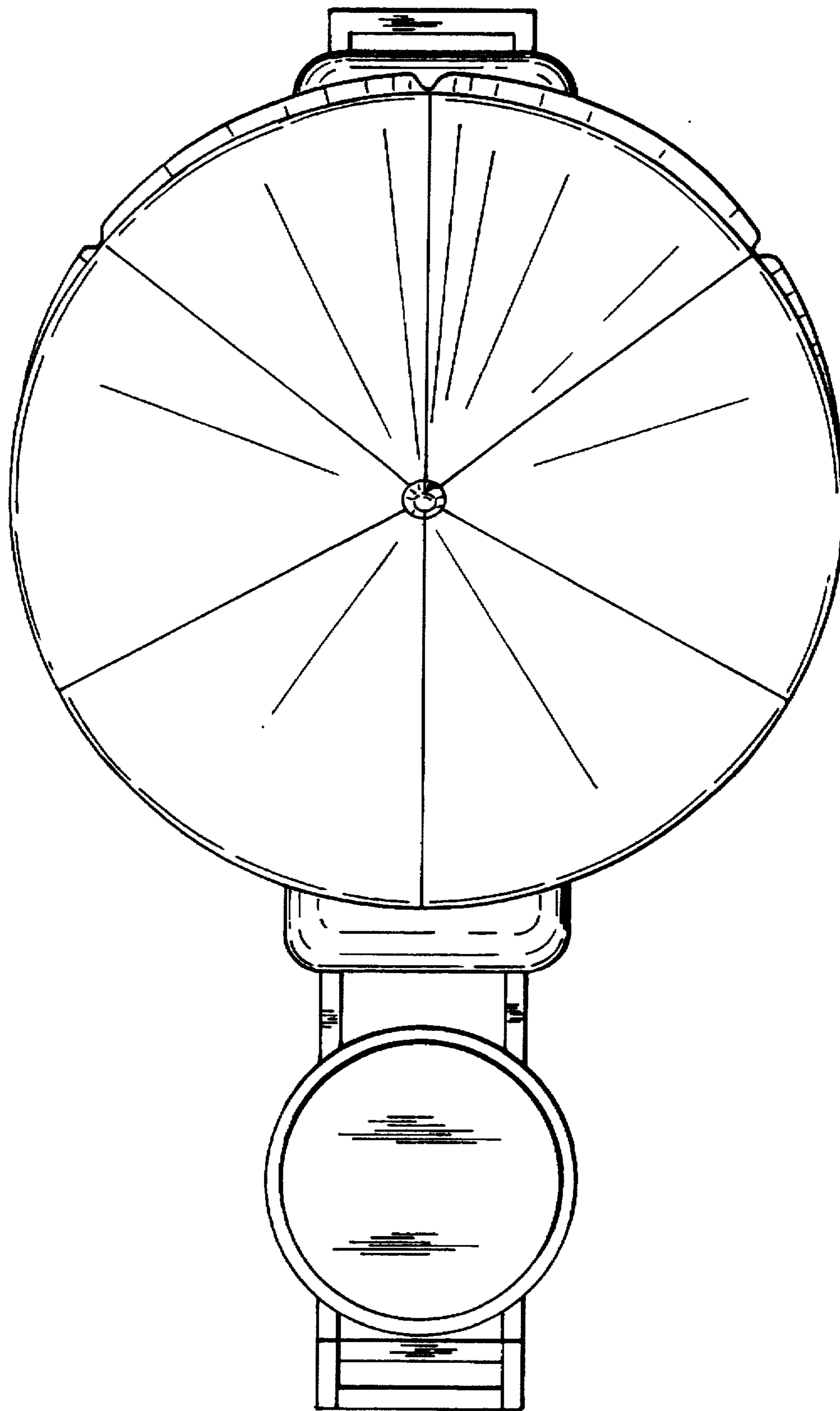
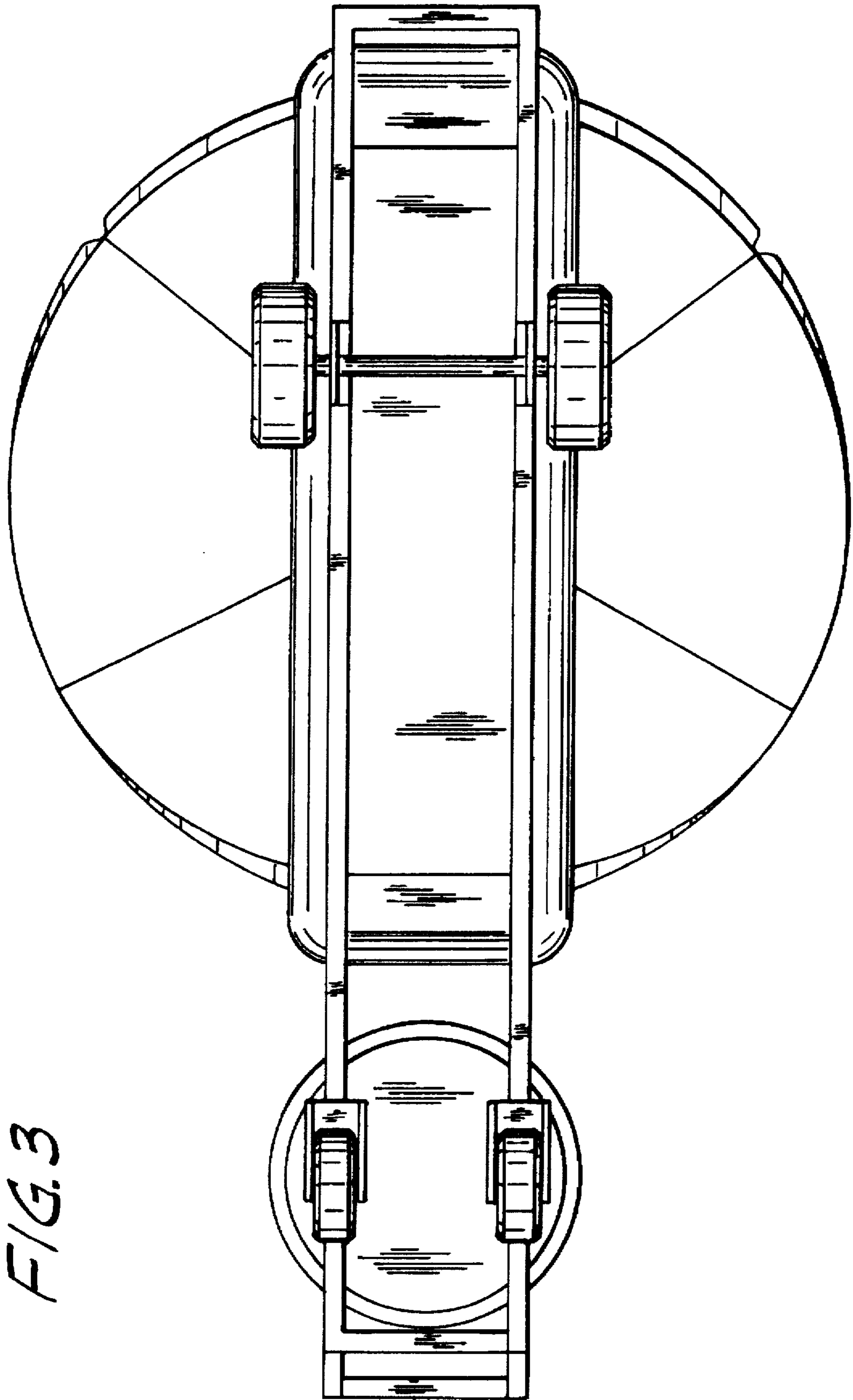
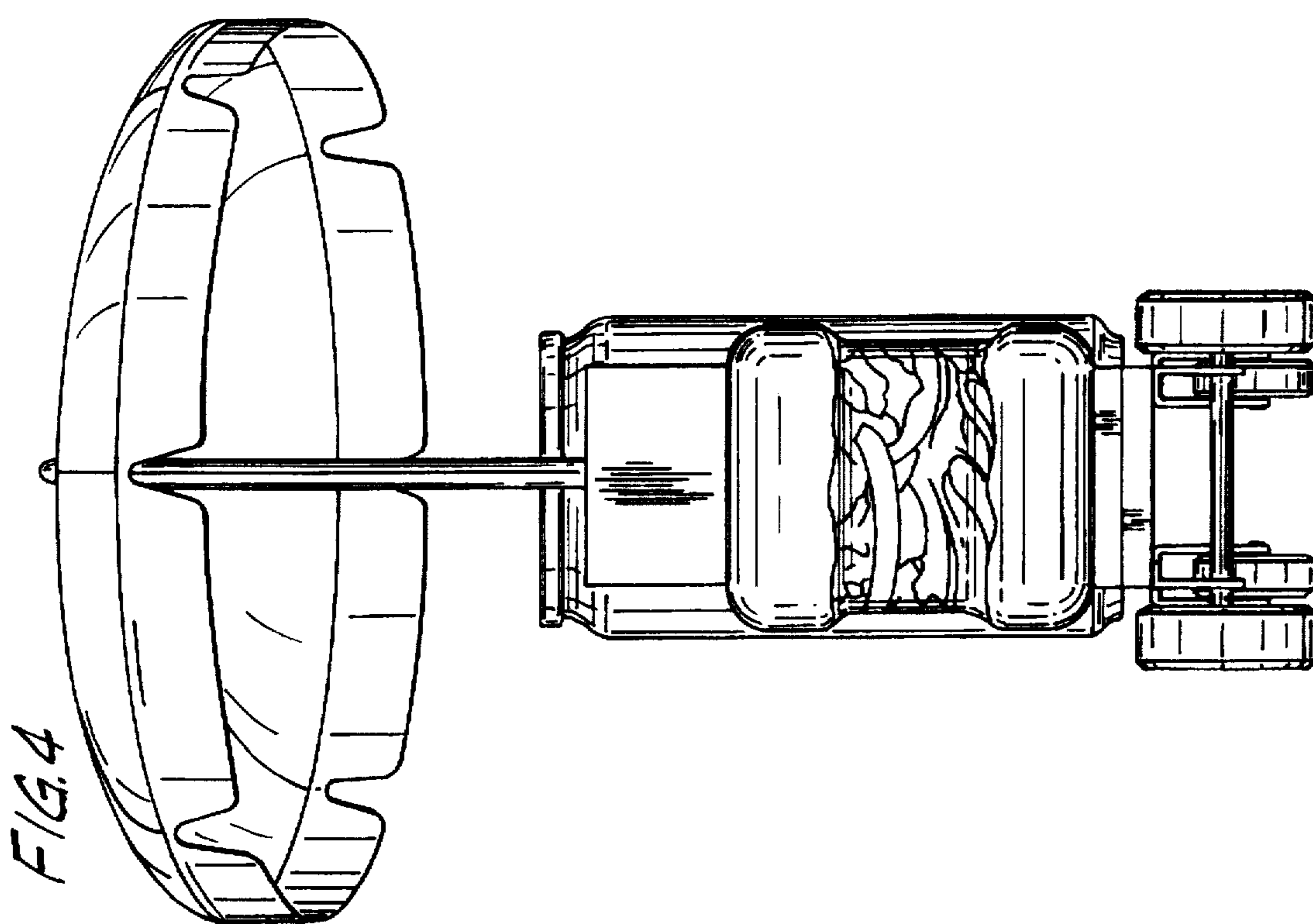
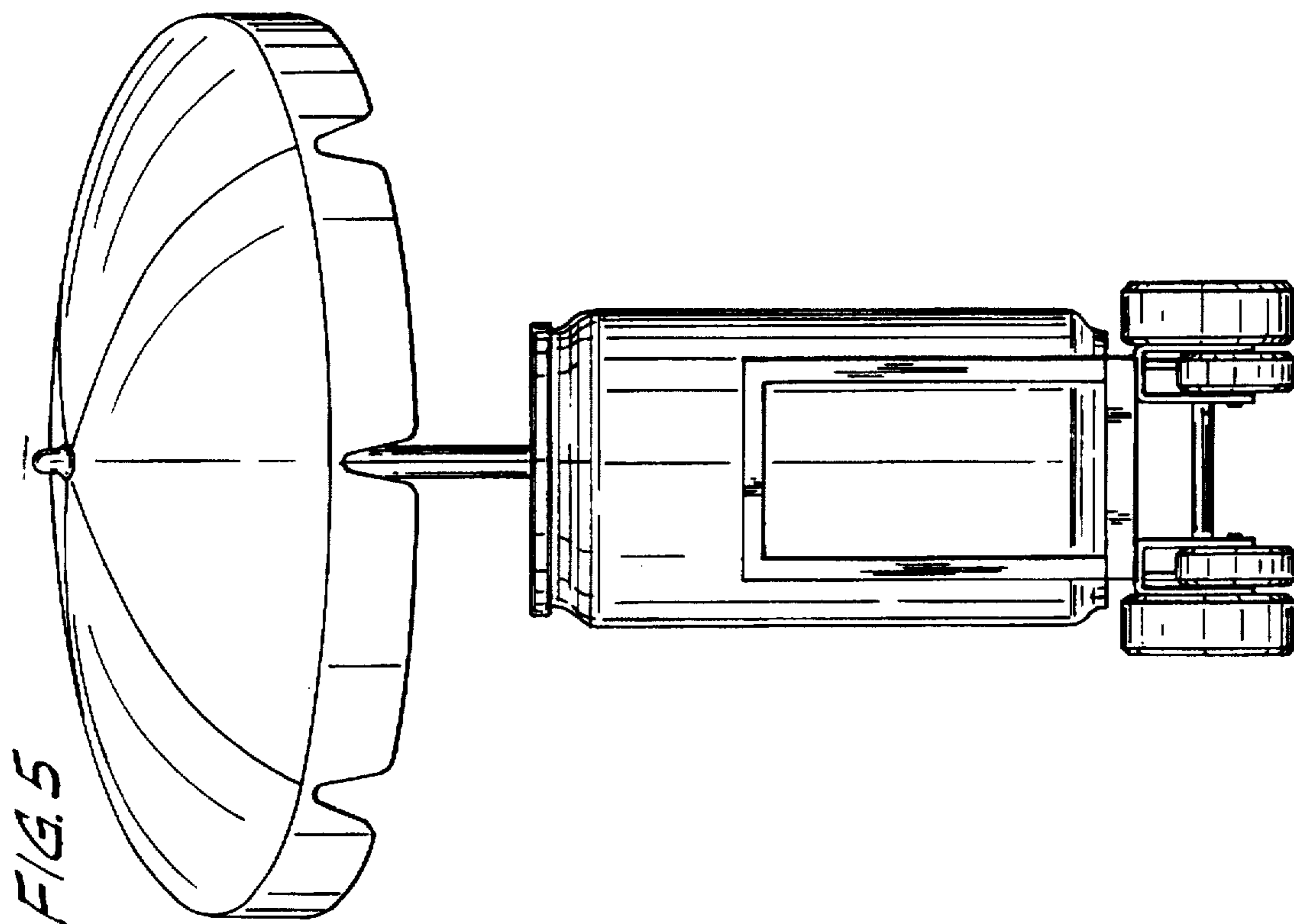


FIG. 2





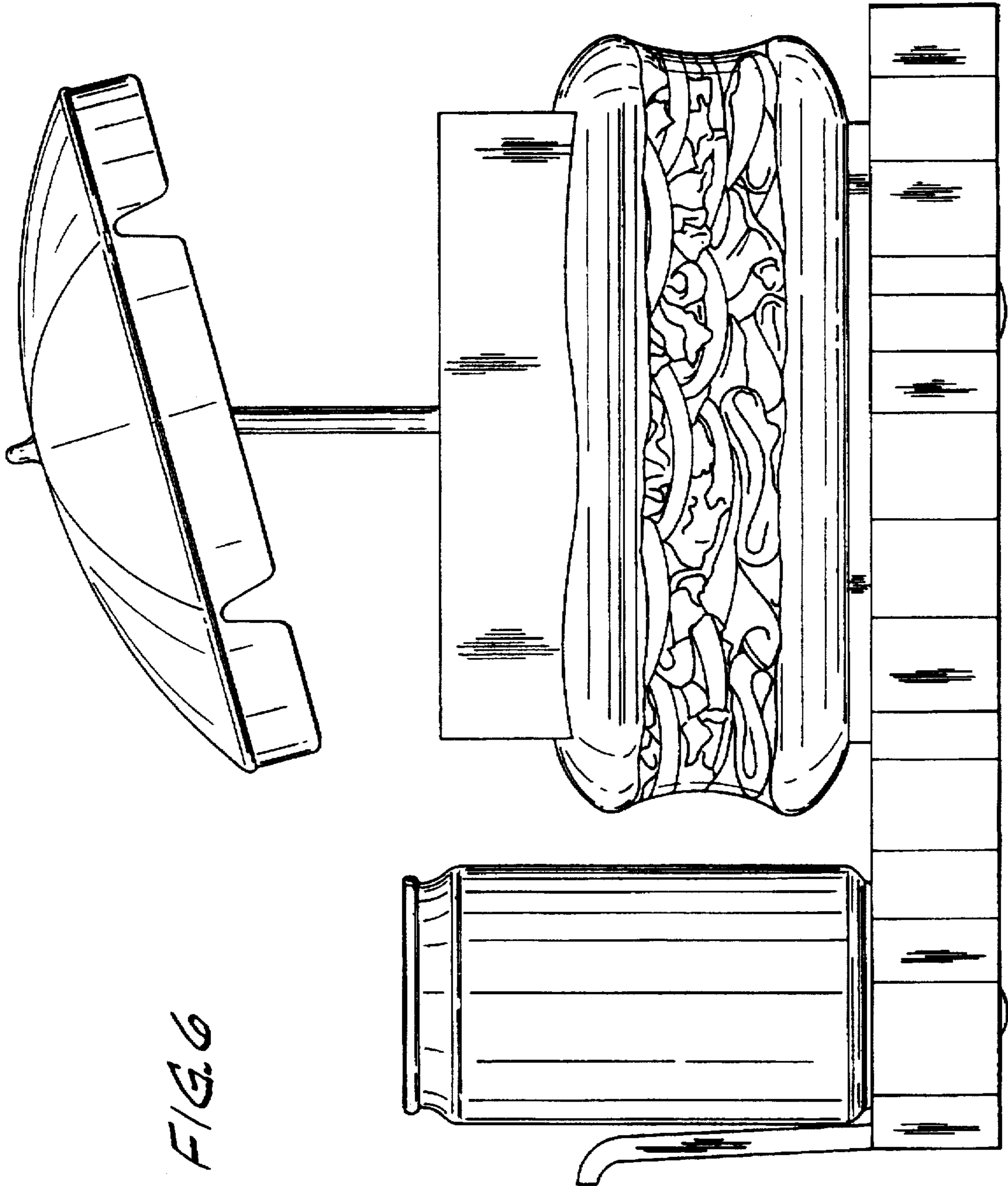
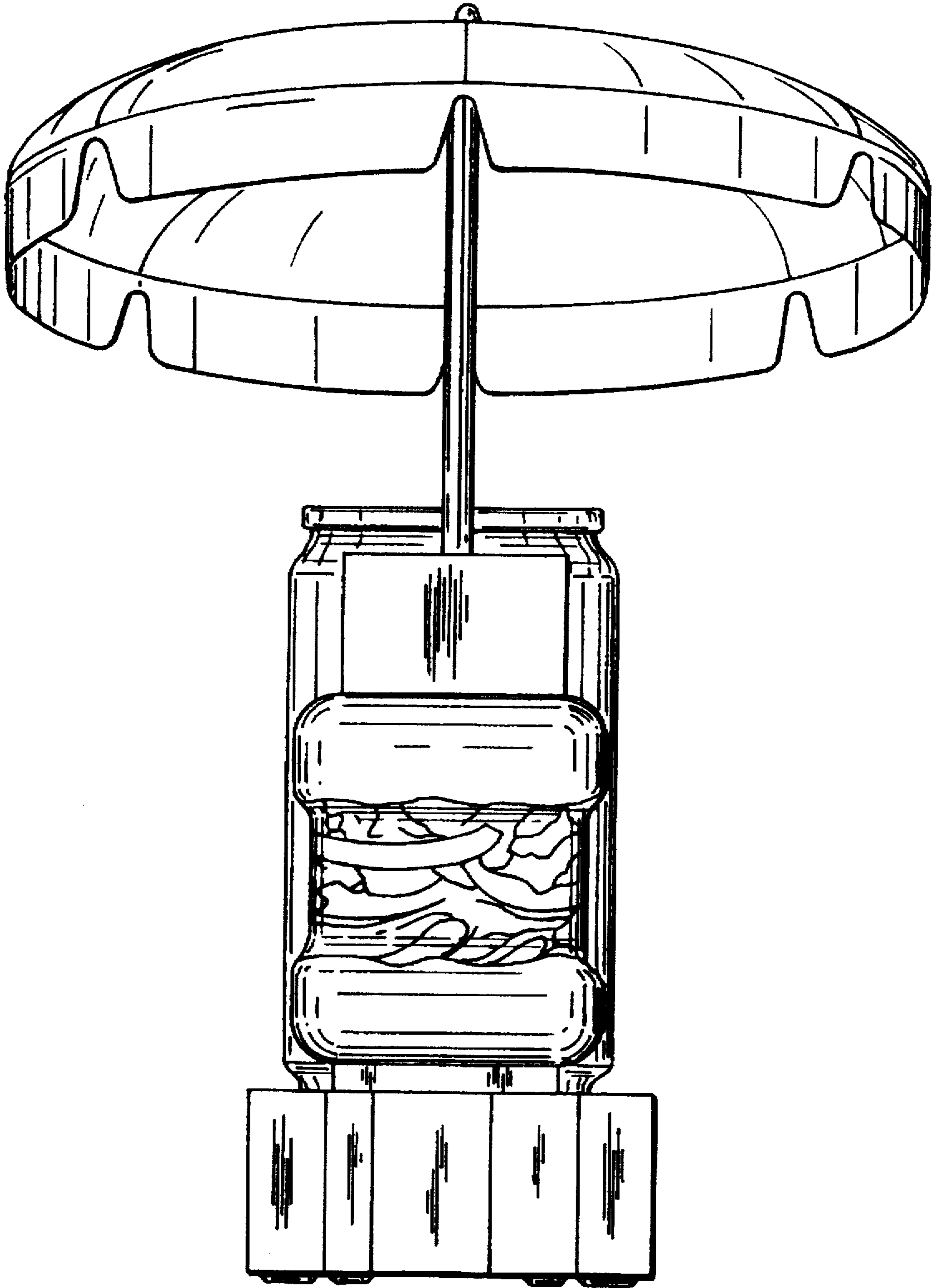


FIG. 6

FIG. 7



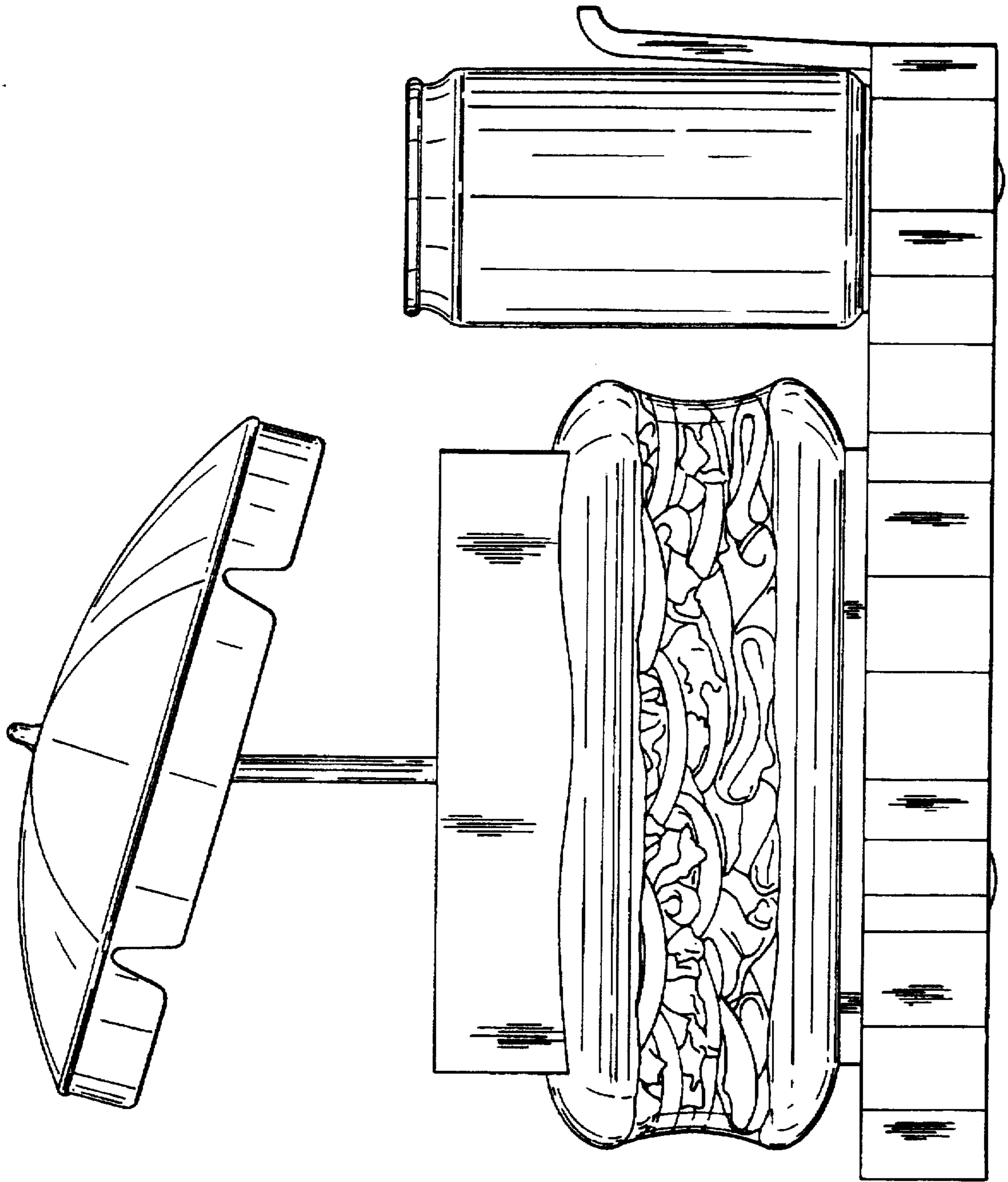


FIG. 8



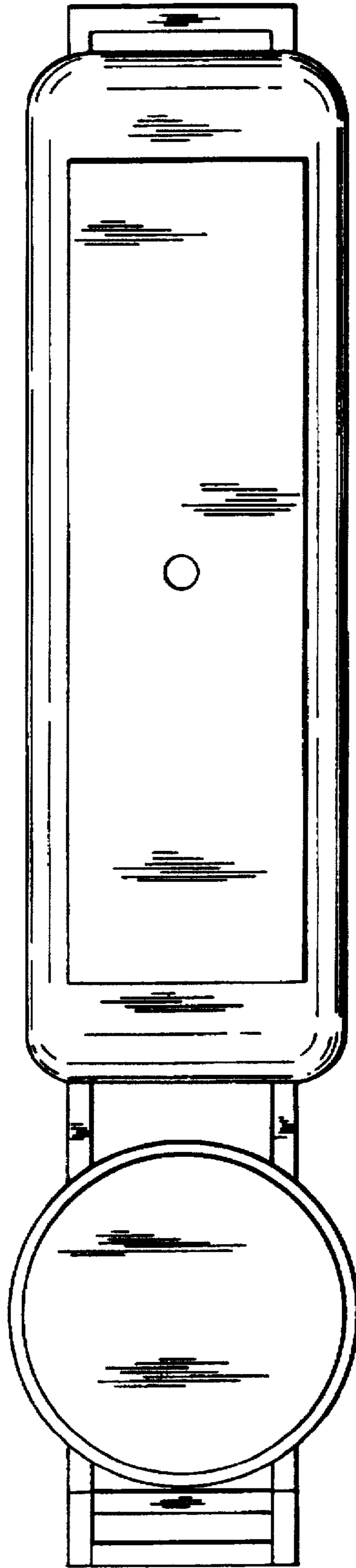


FIG. 9