



US00D388022S

United States Patent [19]
Yaguramaki

[11] **Patent Number: Des. 388,022**
[45] **Date of Patent: **Dec. 23, 1997**

[54] **SLIDE FASTENER SLIDER**
[75] **Inventor: Iwao Yaguramaki, Namerikawa, Japan**
[73] **Assignee: YKK Corporation, Tokyo, Japan**
[**] **Term: 14 Years**

D. 305,106 12/1989 Aoki D11/221
D. 315,701 3/1991 Komuro D11/221
3,641,634 2/1972 Asai 24/429

Primary Examiner—Ralf Seifert
Attorney, Agent, or Firm—Hill, Steadman & Simpson

[21] **Appl. No.: 59,780**
[22] **Filed: Sep. 16, 1996**

[57] **CLAIM**
The ornamental design for "slide fastener slider", as shown.

[30] **Foreign Application Priority Data**
Mar. 15, 1996 [JP] Japan 8-7133
[51] **LOC (6) Cl. 02-07**
[52] **U.S. Cl. D11/221**
[58] **Field of Search D11/200, 221;**
294/3.6; 24/381, 385, 415-417, 427-431

DESCRIPTION

FIG. 1 is a front elevationl view of a slide fastener slider showing my new design;
FIG. 2 is a right side elevational view;
FIG. 3 is a rear elevational view;
FIG. 4 is a top plan view;
FIG. 5 is a bottom plan view;
FIG. 6 is an enlarged cross-sectional view taken along the line 6-6 of FIG. 1;
FIG. 7 is an enlarged cross-sectional view taken along the line 7-7 of FIG. 1; and,
FIG. 8 is an enlarged cross-sectionl view taken along the line 8-8 of FIG. 1.

[56] **References Cited**
U.S. PATENT DOCUMENTS
D. 193,297 7/1962 Carile D11/43
D. 291,669 9/1987 Oda D11/221
D. 291,670 9/1987 Takabatake D11/221
D. 291,671 9/1987 Keyaki D11/221

1 Claim, 3 Drawing Sheets

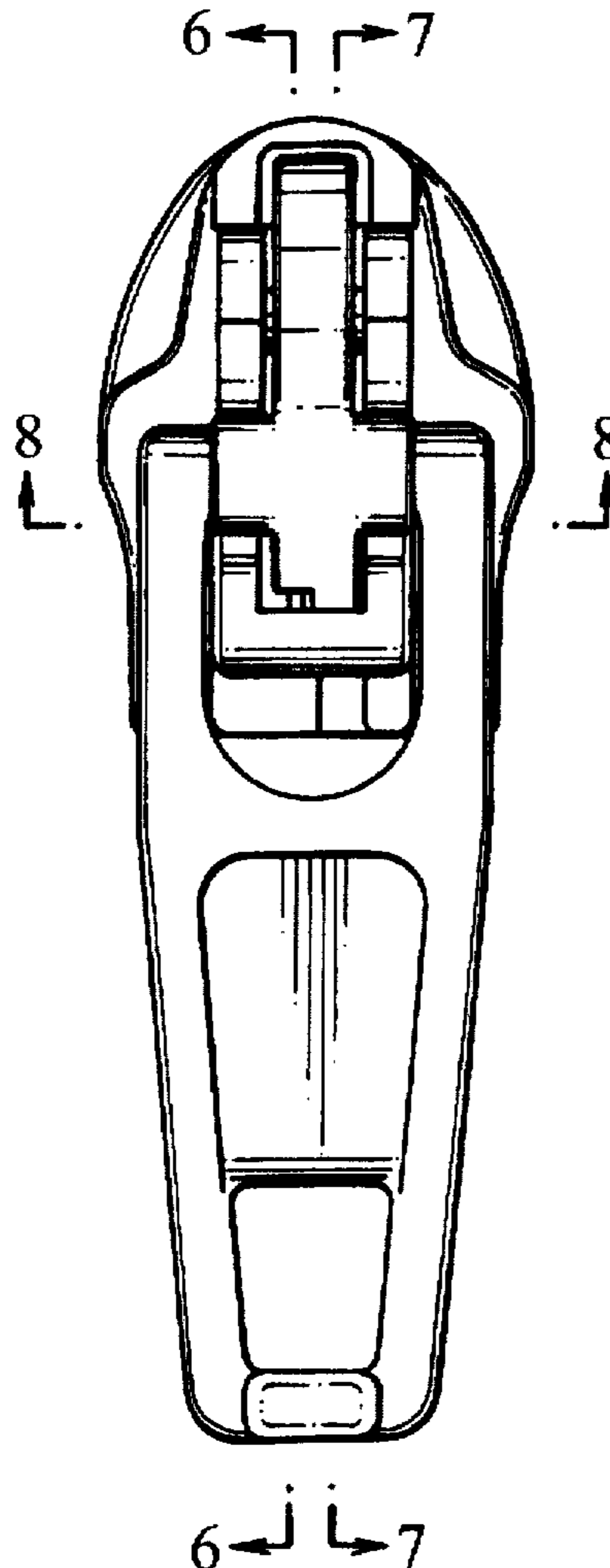


FIG. 1

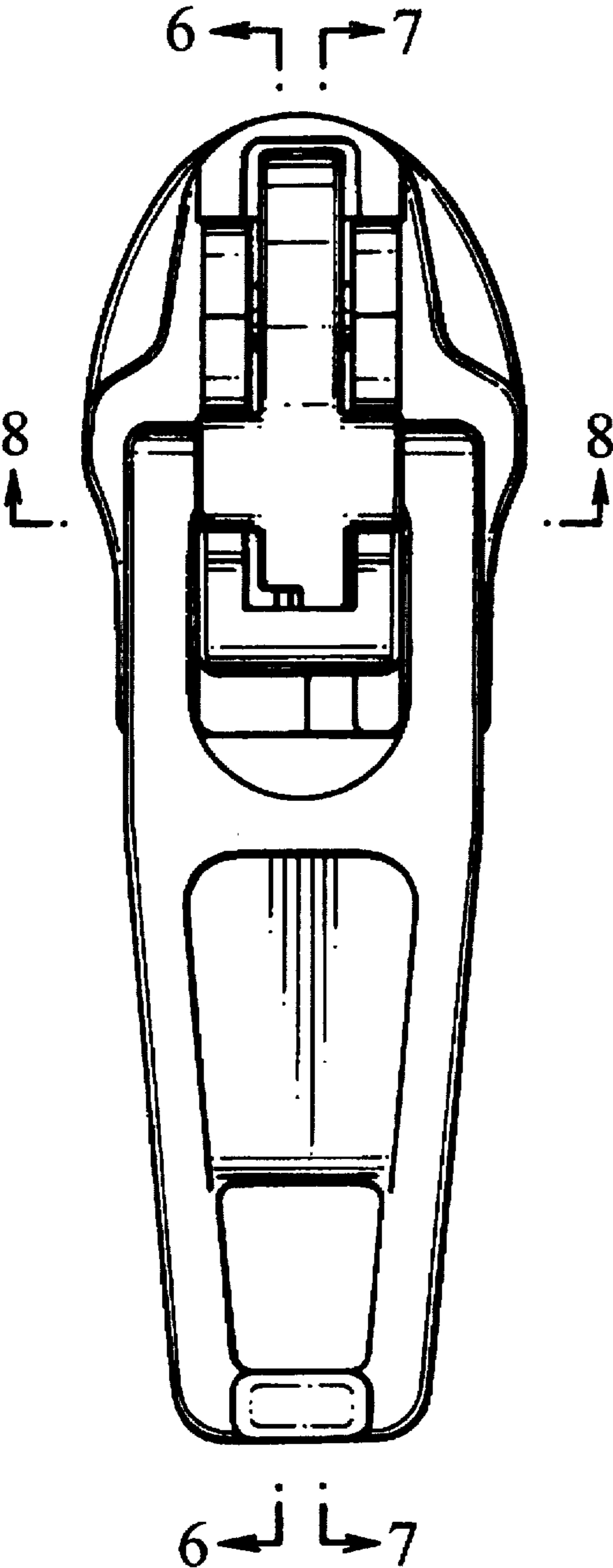


FIG. 2

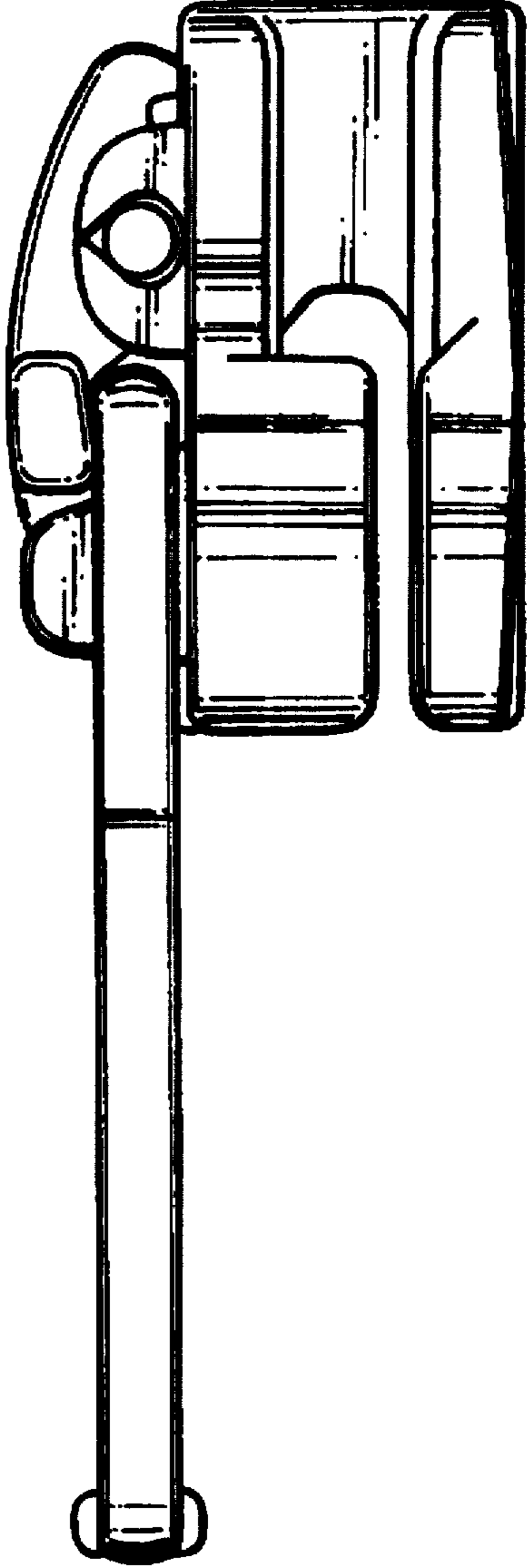


FIG. 3

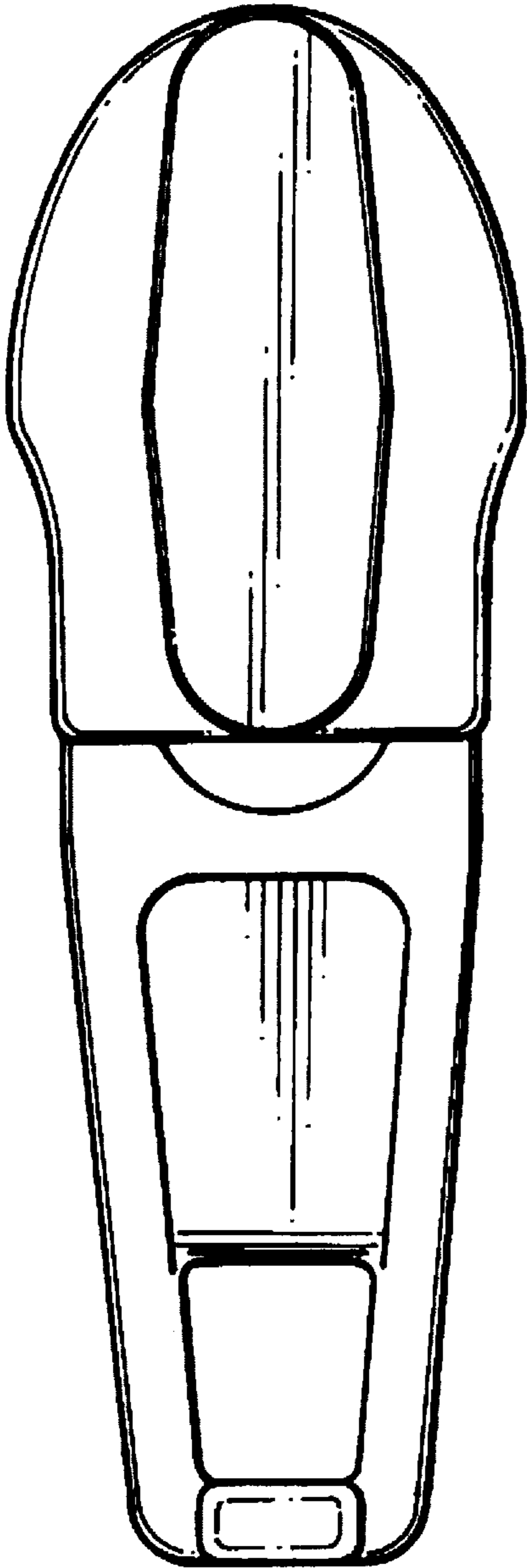


FIG. 4

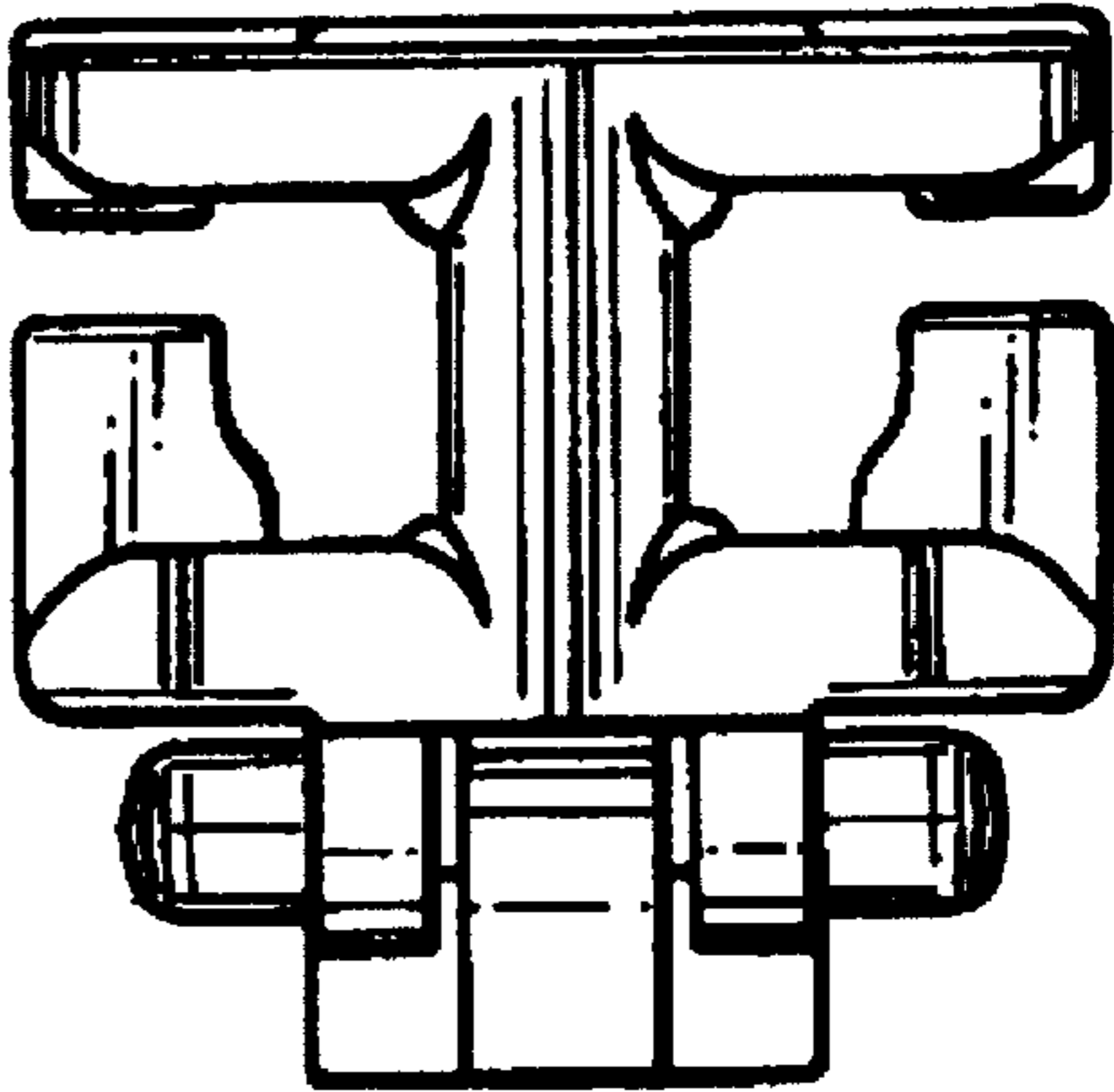


FIG. 5

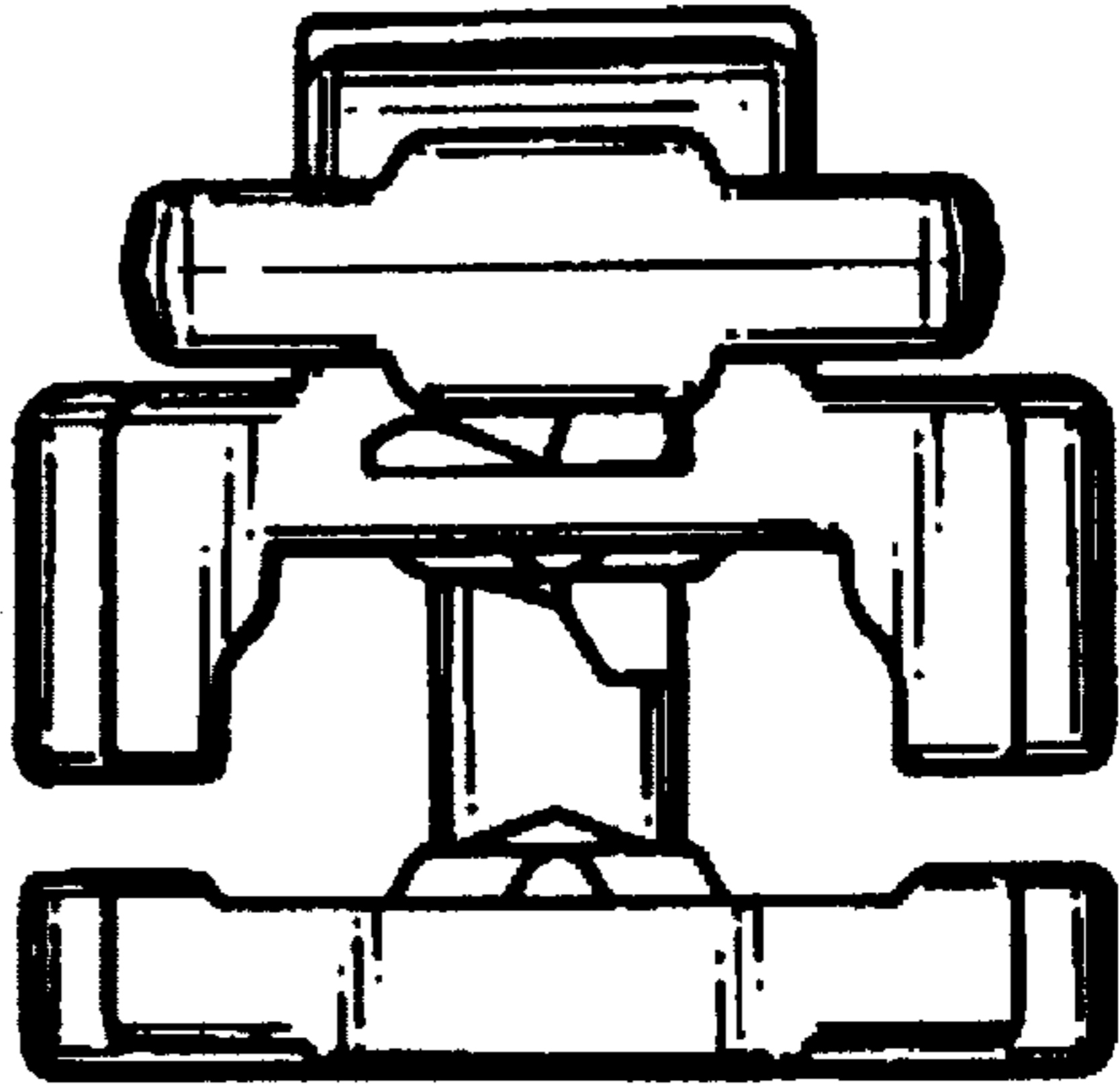


FIG. 6

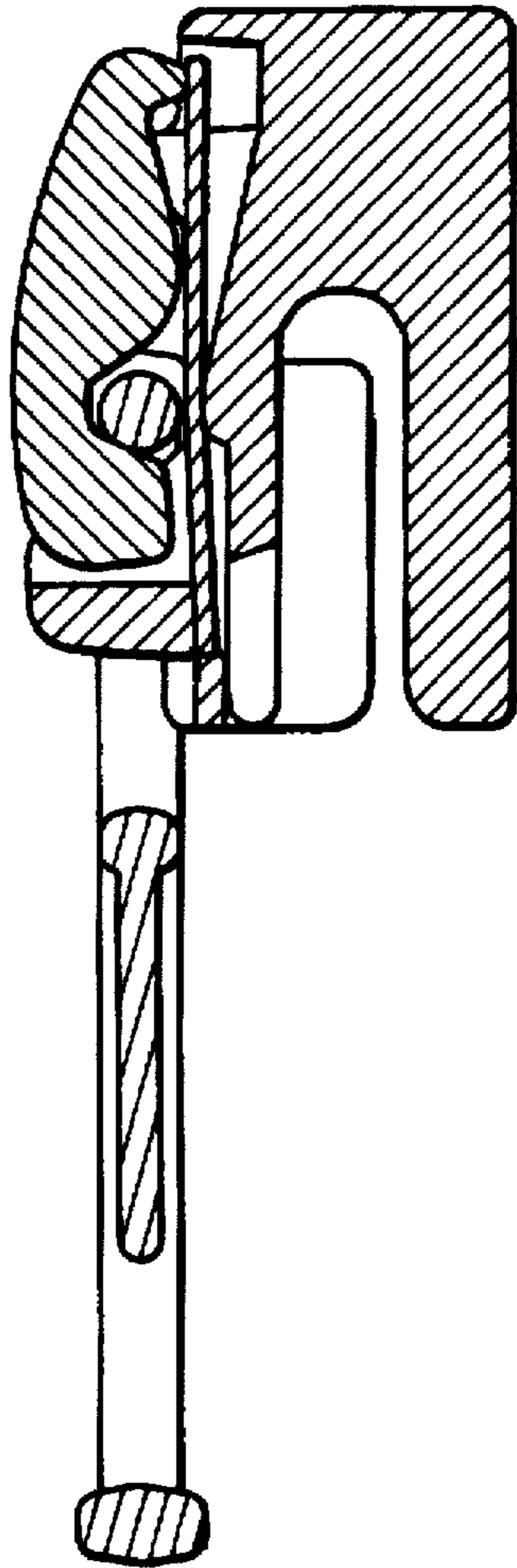


FIG. 7

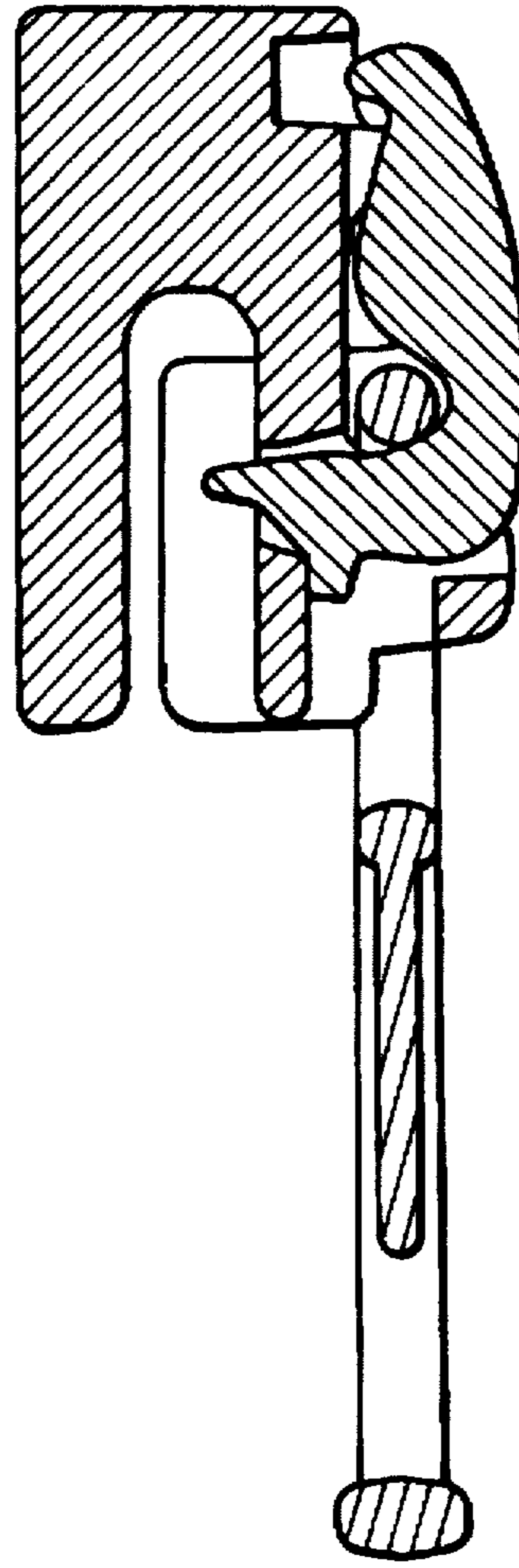


FIG. 8

