



US00D388016S

United States Patent [19] Kejejian

[11] Patent Number: **Des. 388,016**

[45] Date of Patent: ****Dec. 23, 1997**

[54] **NINE GEMSTONE PENDANT SETTING**

[75] Inventor: **Toros Kejejian**, Northridge, Calif.

[73] Assignee: **Tycoon Jewelry, Inc.**, Los Angeles, Calif.

[**] Term: **14 Years**

[21] Appl. No.: **63,370**

[22] Filed: **Dec. 6, 1996**

[51] LOC (6) Cl. **11-01**

[52] U.S. Cl. **D11/91**

[58] Field of Search D11/1-6, 79-83,
D11/86-93, 96, 97; 63/1.1, 2, 20, 26-31

[56] **References Cited**

U.S. PATENT DOCUMENTS

12,579	11/1855	Reynolds	D11/91
14,818	2/1856	Merrill	D11/91
24,678	9/1859	Oppenheimer	D11/91

D. 73,110	7/1927	Stern	D11/91
D. 257,017	9/1980	Barr	D11/16
D. 314,929	2/1991	Chia et al.	D11/6
D. 339,763	9/1993	Nalbandian	D11/91
775,030	11/1904	Fairbrother	D11/91
813,084	2/1906	Dover	D11/91

Primary Examiner—Ralf Seifert
Attorney, Agent, or Firm—Fish & Richardson P.C.

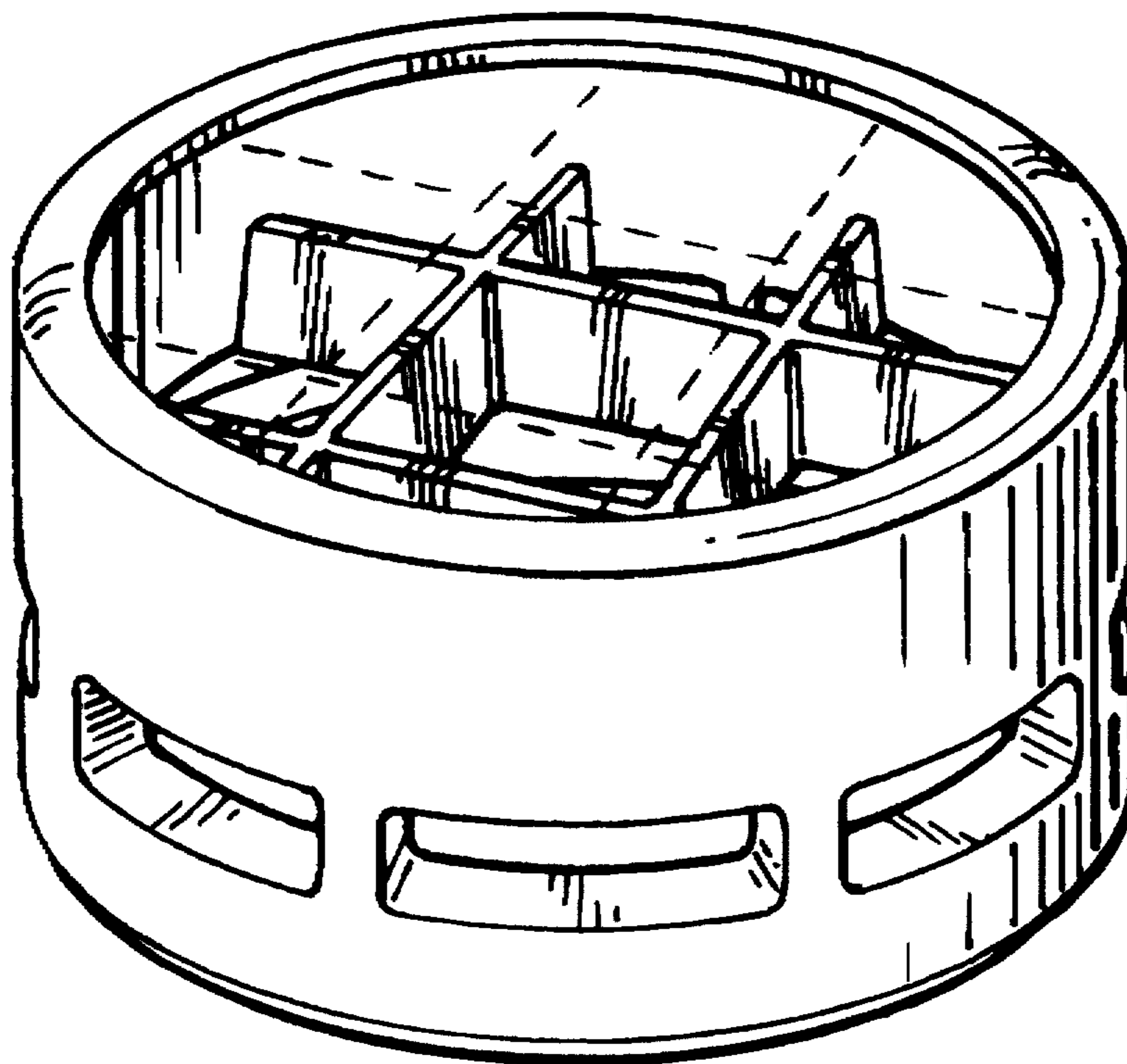
[57] **CLAIM**

The ornamental design for a nine gemstone pendant setting, as shown and described.

DESCRIPTION

FIG. 1 is a front perspective view of the nine gemstone pendant setting;
FIG. 2 is a back perspective view thereof;
FIG. 3 is a top plan view thereof;
FIG. 4 is a back plan view thereof; and,
FIG. 5 is a side plan view thereof.

1 Claim, 1 Drawing Sheet



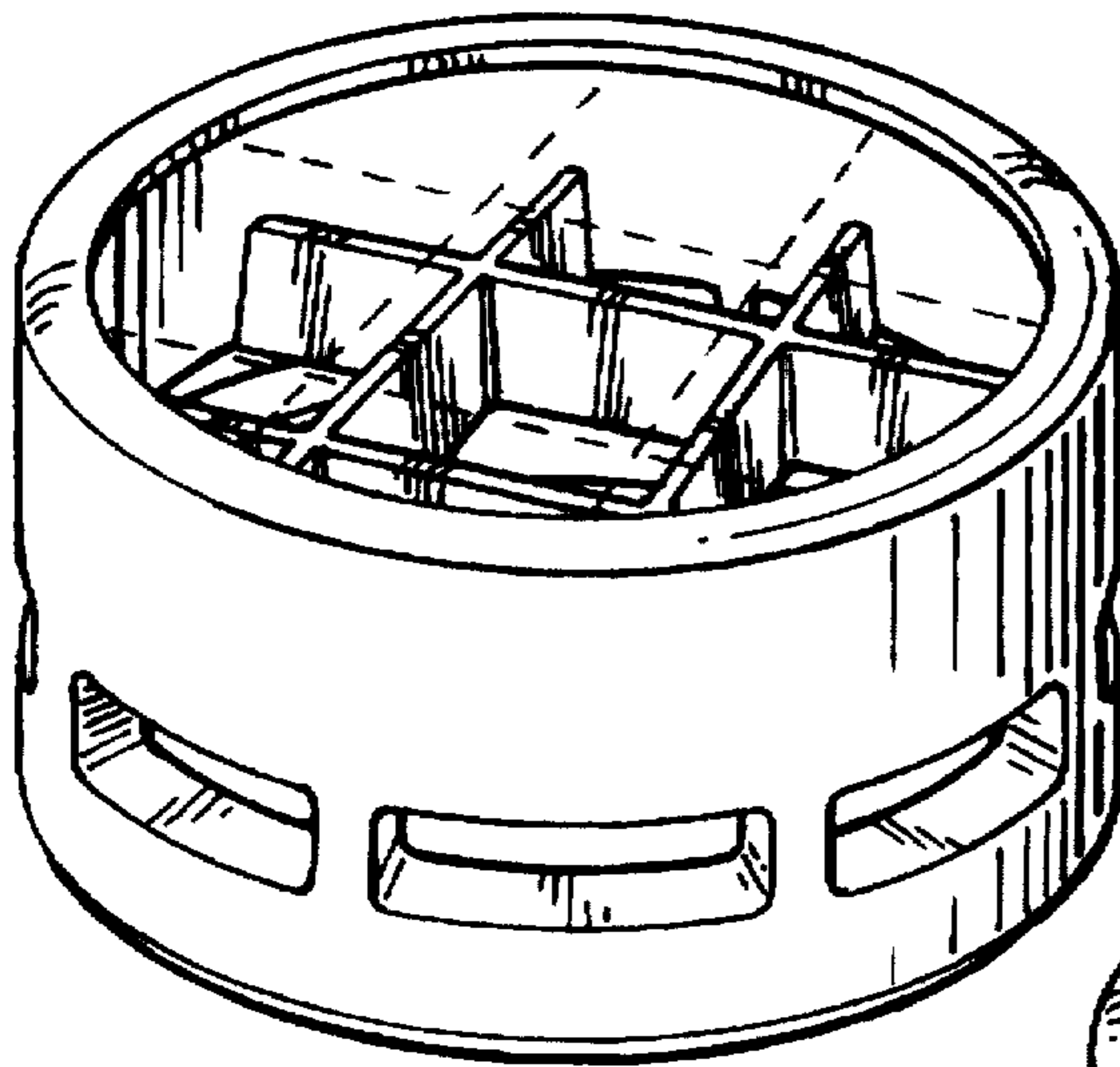


Fig. 1

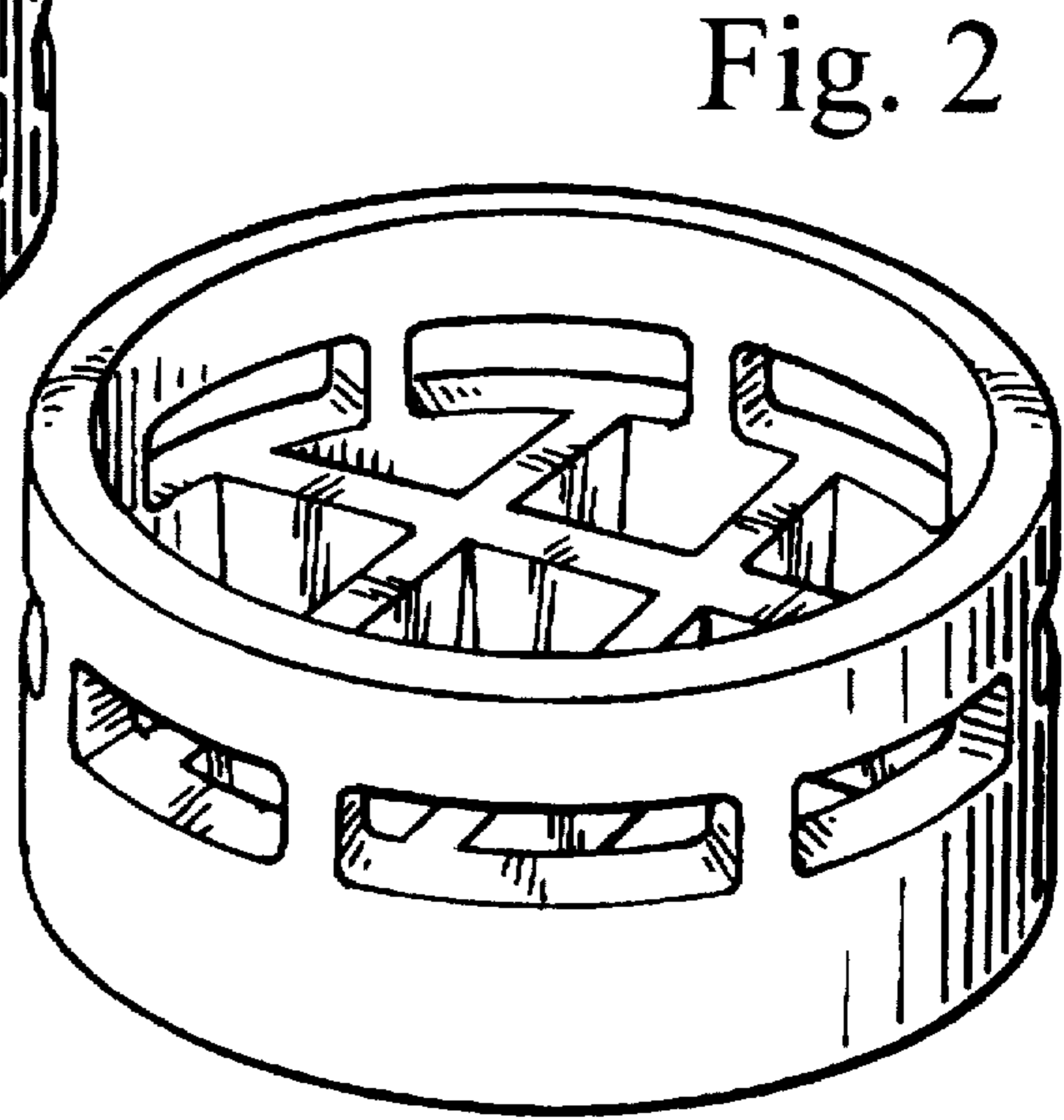


Fig. 2

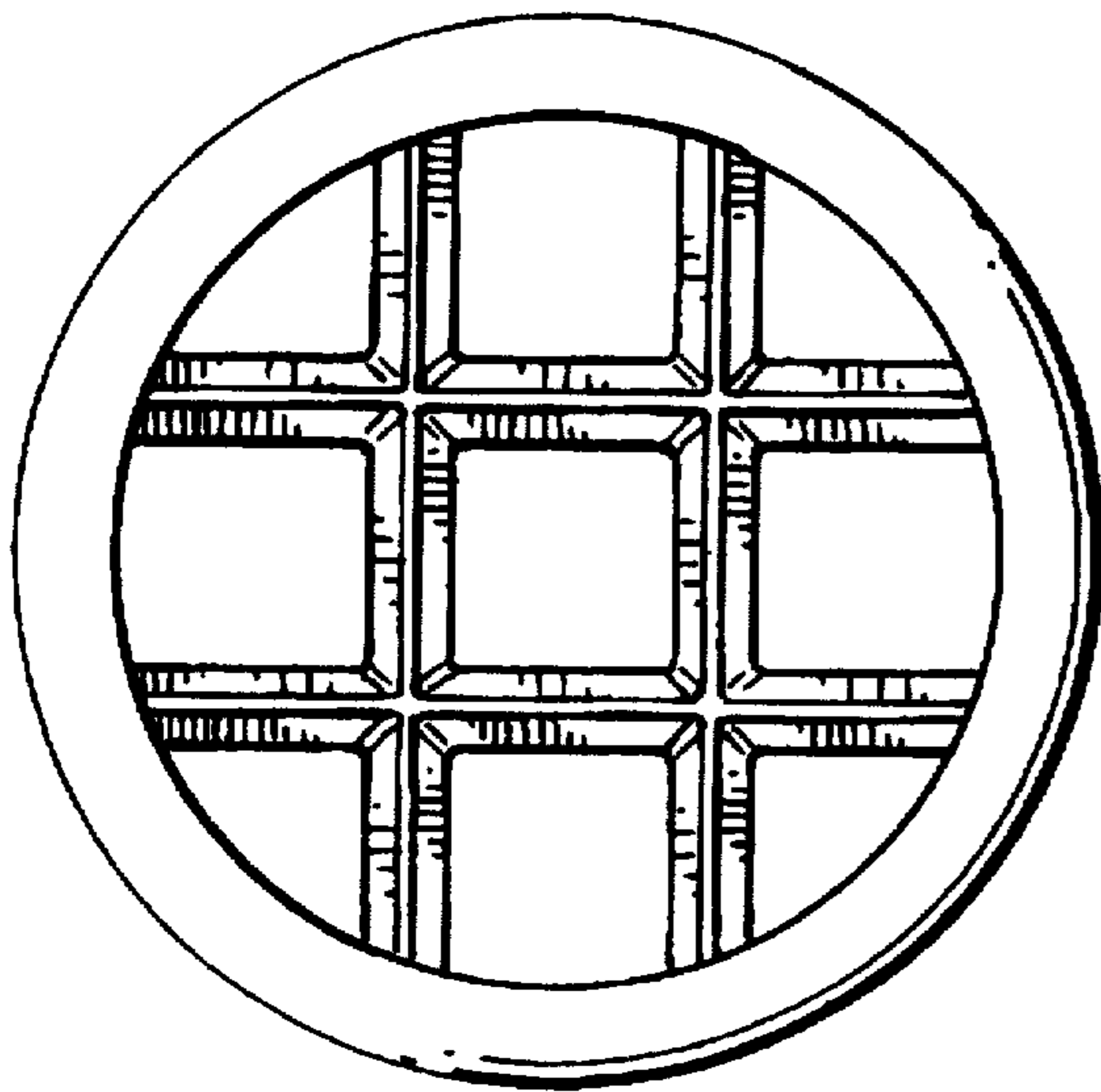


Fig. 3

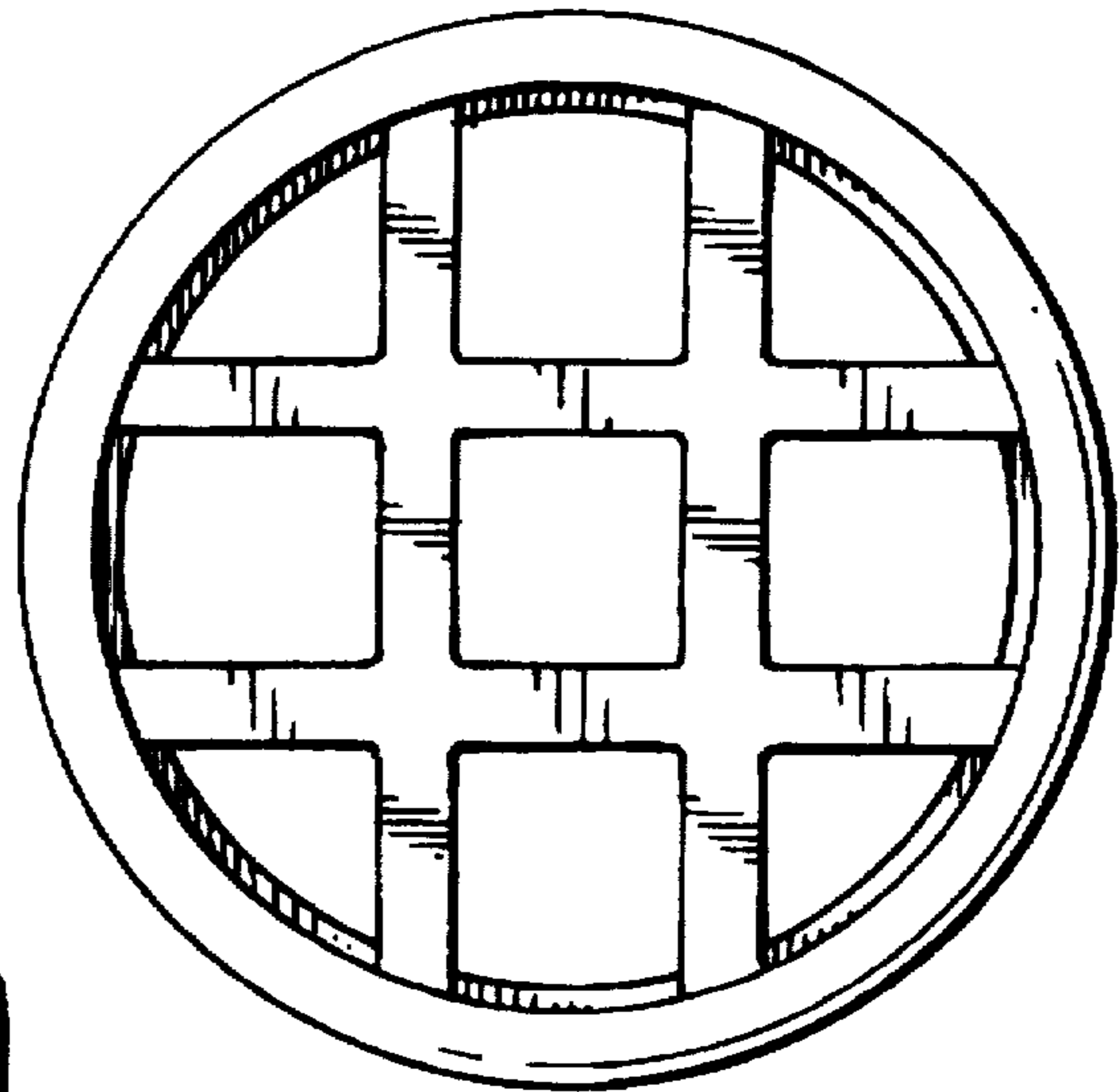


Fig. 4

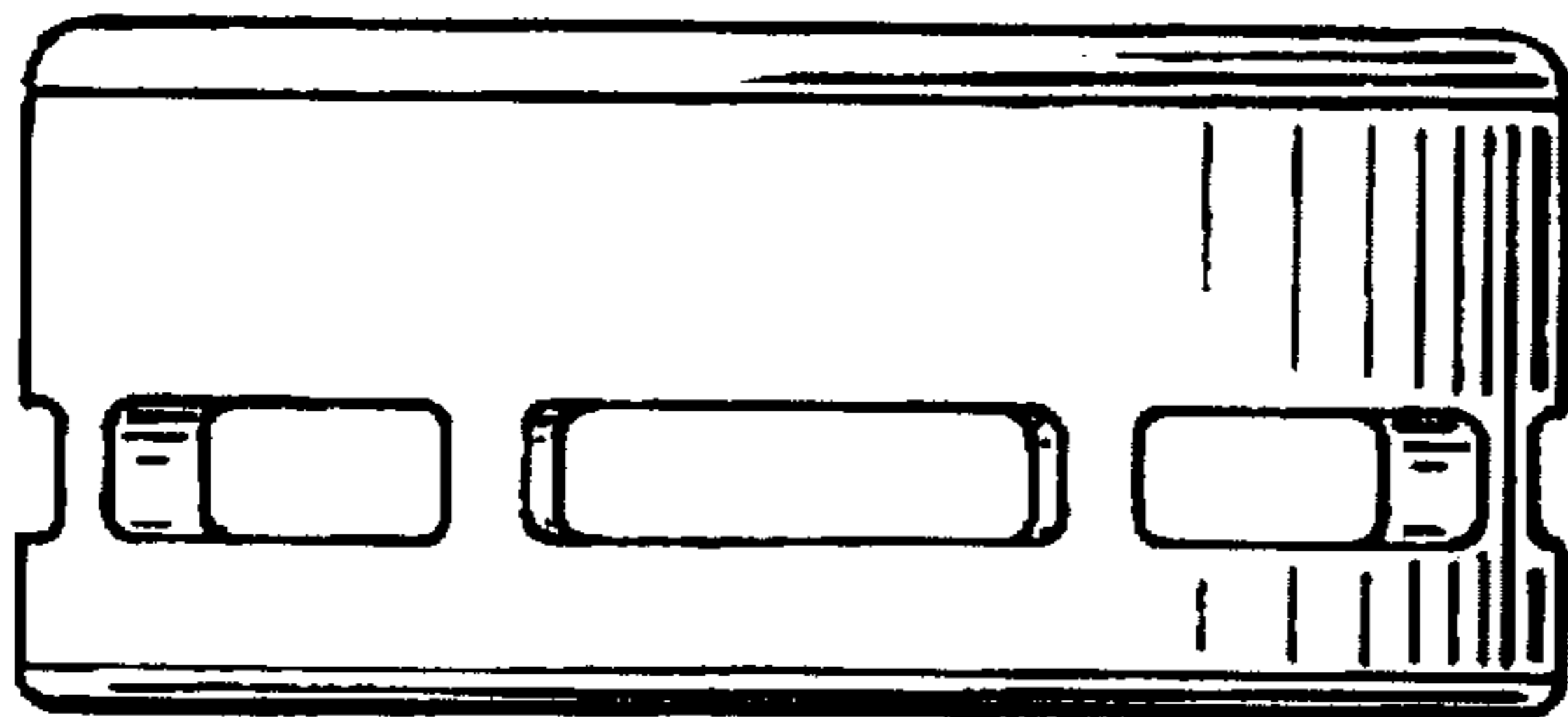


Fig. 5