



US00D388006S

**United States Patent** [19]  
**Worthington**

[11] **Patent Number: Des. 388,006**  
[45] **Date of Patent: \*\*Dec. 23, 1997**

[54] **MINIATURE PERSONAL ALARM**

[76] **Inventor: John Alfred Worthington**, Bandy Hill  
Cottage, Haultwick, Ware,  
Hertfordshire, England, SG11 1JF

[\*\*] **Term: 14 Years**

[21] **Appl. No.: 40,632**

[22] **Filed: Jun. 22, 1995**

[30] **Foreign Application Priority Data**

Dec. 22, 1994 [GB] United Kingdom ..... 2044209

[51] **LOC (6) Cl. .... 10-05**

[52] **U.S. Cl. .... D10/106**

[58] **Field of Search** ..... D10/104, 106,  
D10/116, 121; 340/540, 545, 571, 572,  
573, 574, 632

[56] **References Cited**

**U.S. PATENT DOCUMENTS**

D. 283,684	5/1986	Francis	.....	D10/106
D. 308,177	5/1990	Parker et al.	.....	D10/106
D. 325,357	4/1992	Worthington	.....	D10/106
D. 333,996	3/1993	Matt et al.	.....	D10/106
D. 338,844	8/1993	Savio et al.	.....	D10/106
D. 356,969	4/1995	Sang	.....	D10/106

*Primary Examiner*—Marcus A. Jackson  
*Attorney, Agent, or Firm*—Synnestvedt & Lechner

[57] **CLAIM**

The ornamental design for a miniature personal alarm, as shown and described.

**DESCRIPTION**

FIG. 1 is a frontal view of the miniature personal alarm according to the design of my invention;

FIG. 2 is a rear view of the miniature personal alarm of FIG. 1;

FIG. 3 is a left-hand side view of the miniature personal alarm of FIG. 1;

FIG. 4 is a right-hand side view of the miniature personal alarm of FIG. 1;

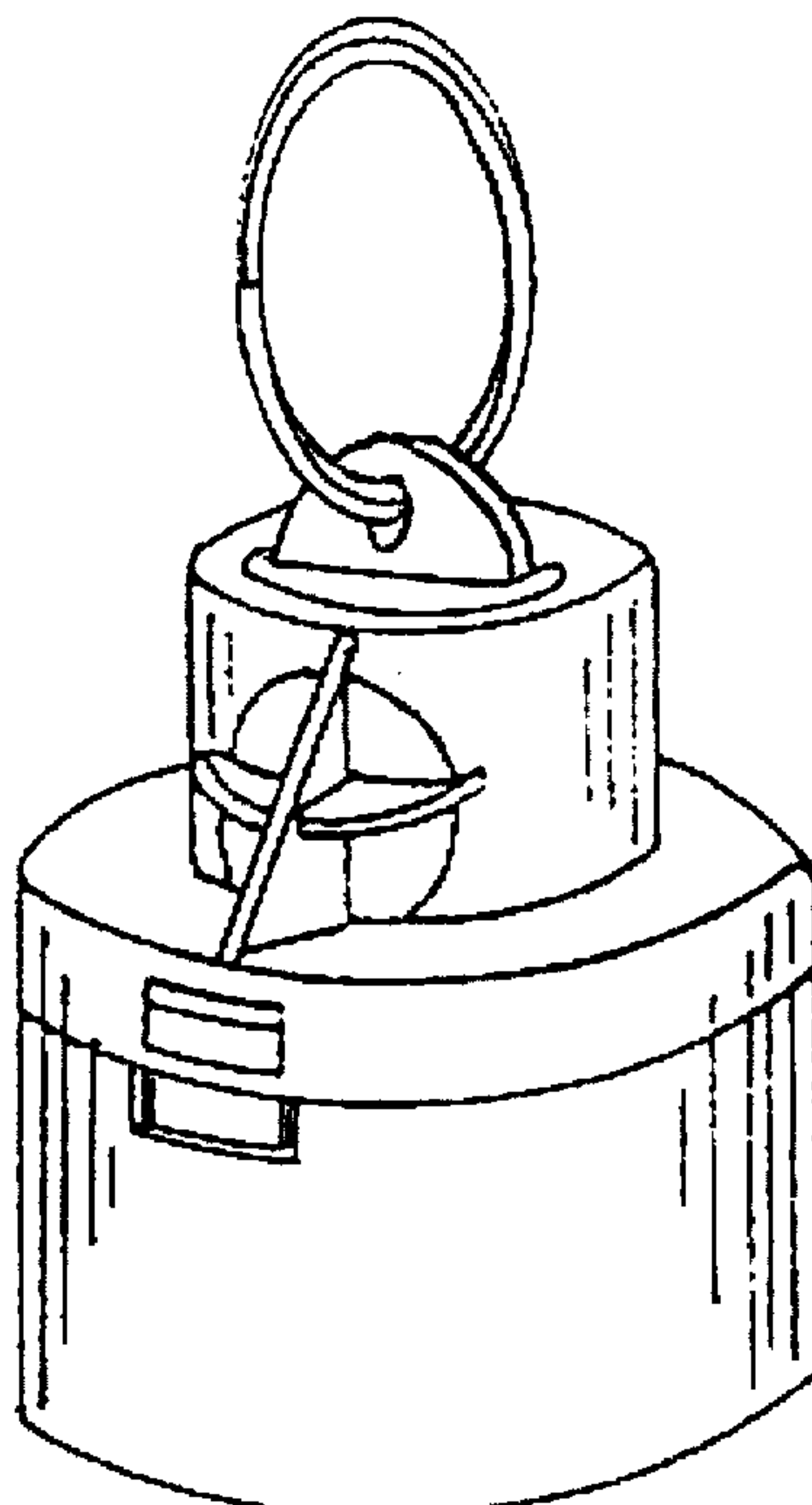
FIG. 5 is a top view of the miniature personal alarm of FIG. 1;

FIG. 6 is an underside view of the miniature personal alarm of FIG. 1;

FIG. 7 is a rear perspective view of the miniature personal alarm of FIG. 1; and,

FIG. 8 is a front perspective view of the miniature personal alarm of FIG. 1.

**1 Claim, 7 Drawing Sheets**



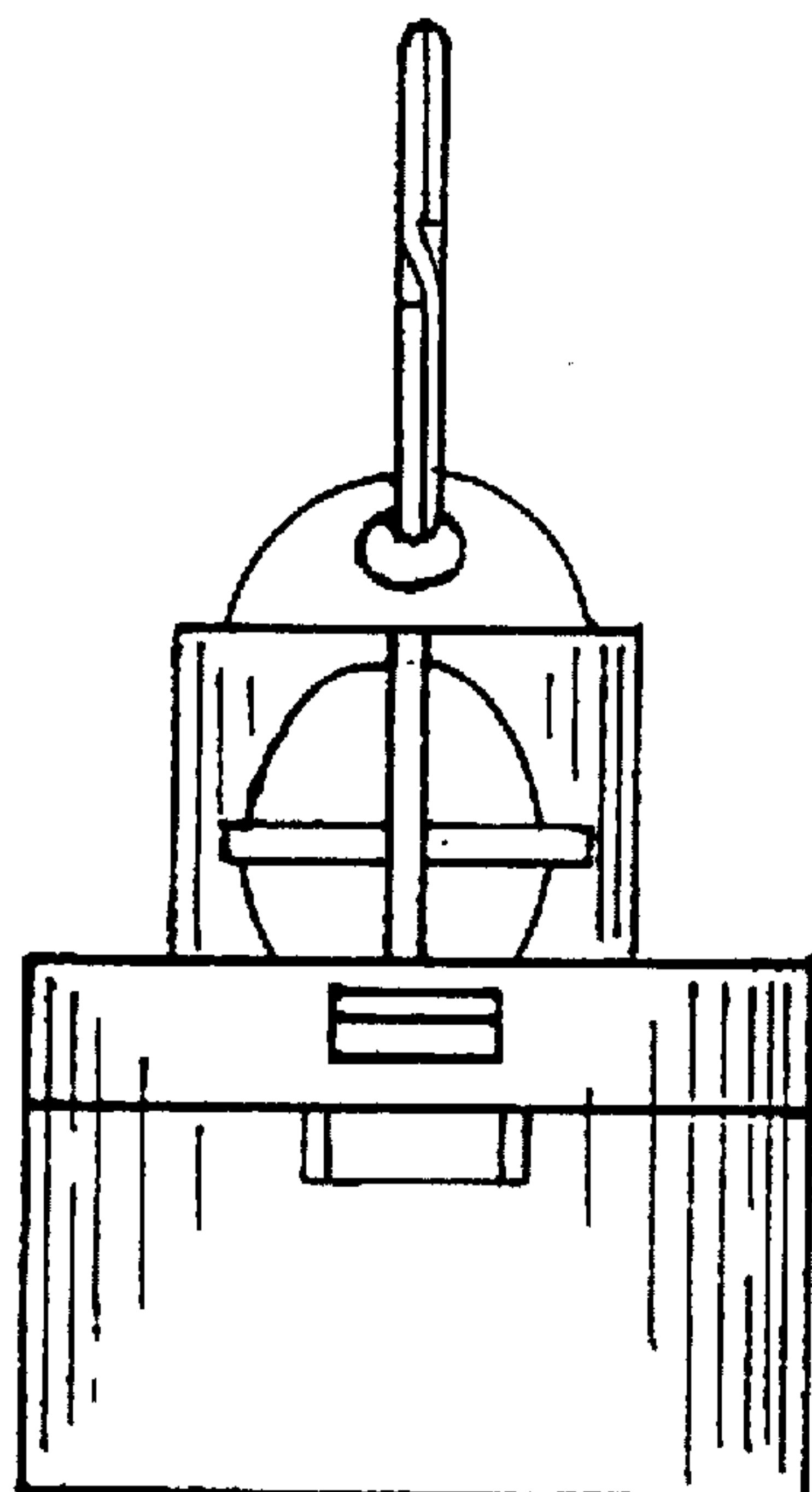


FIG 1

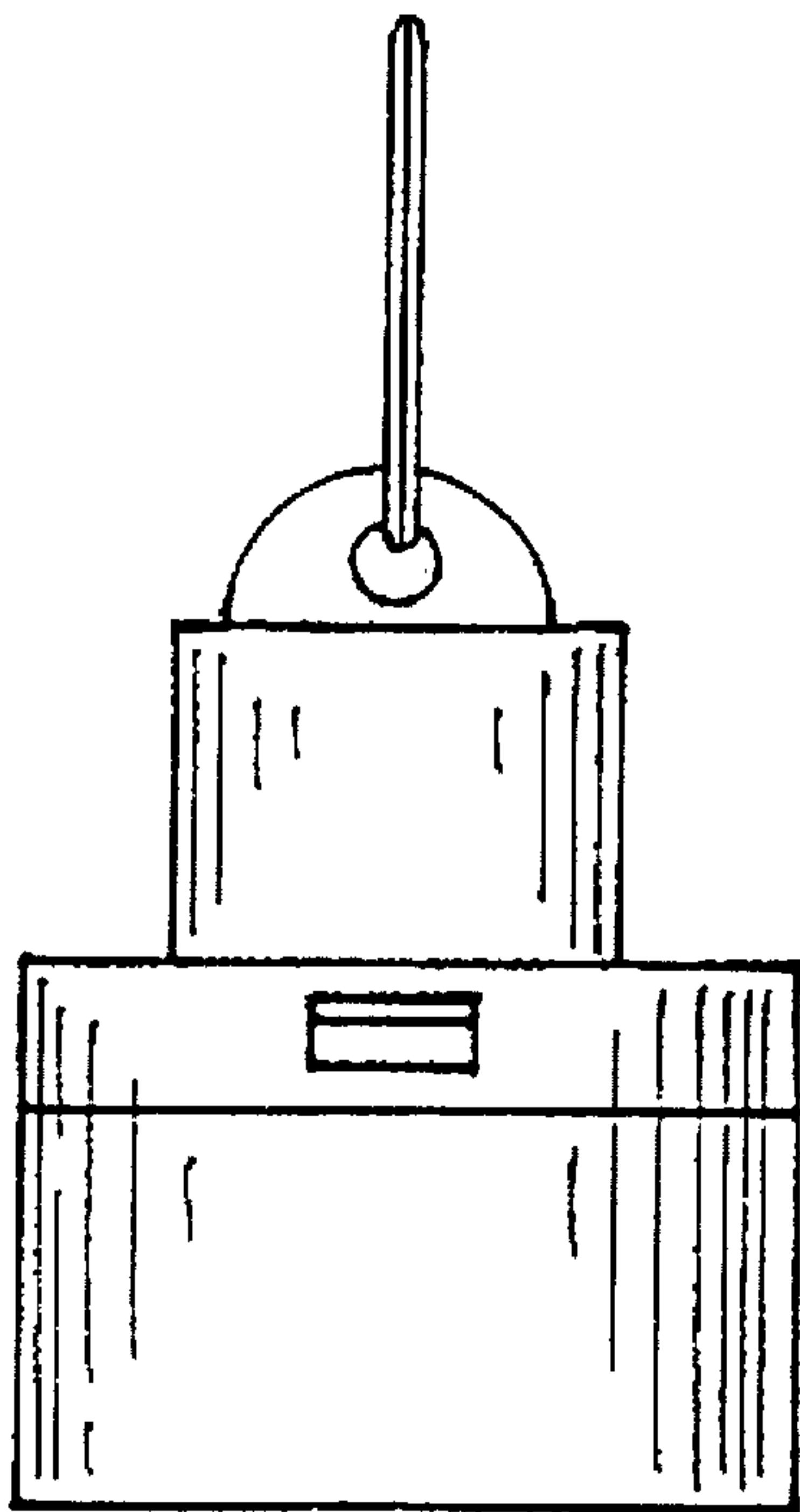


FIG 2

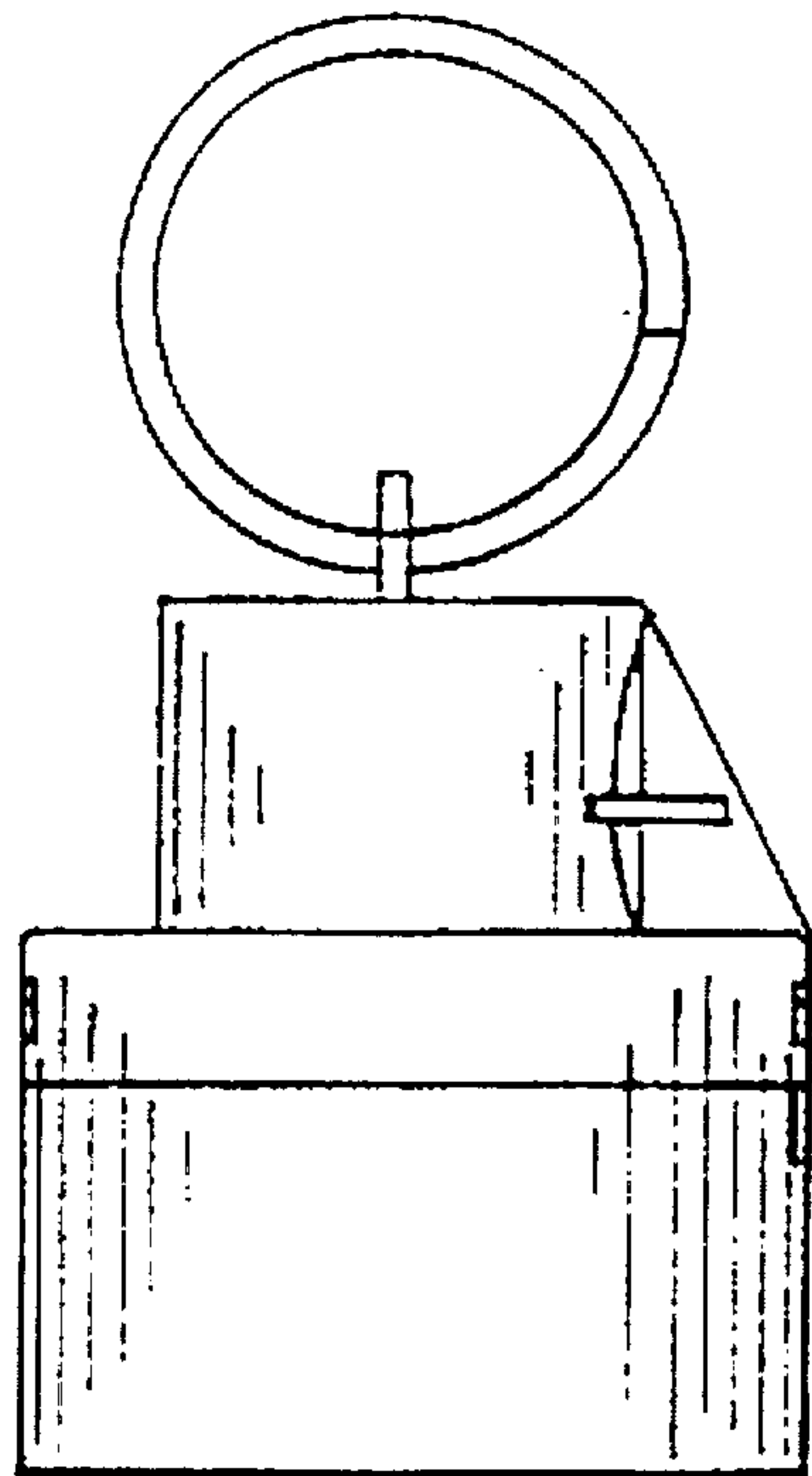


FIG 3

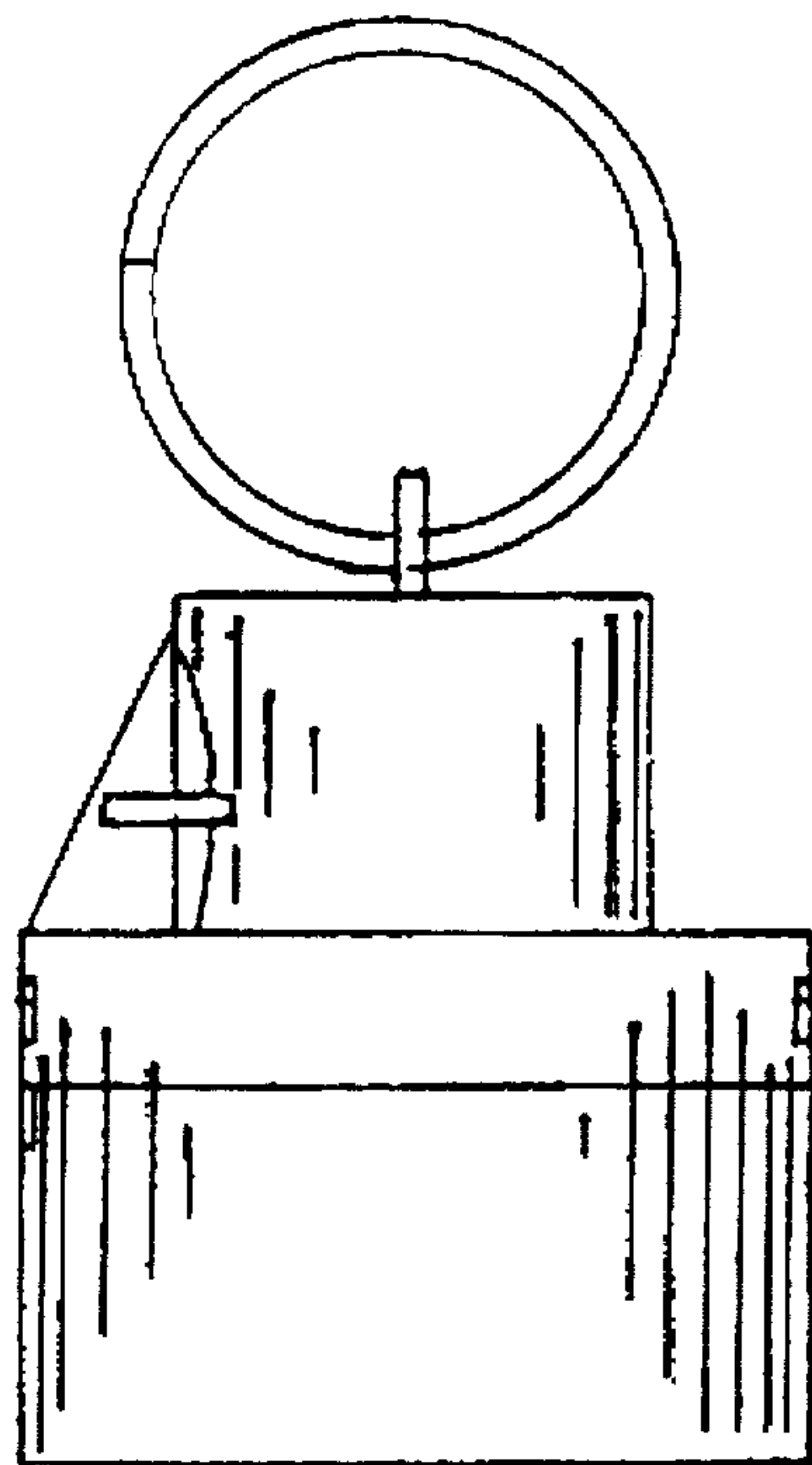


FIG 4

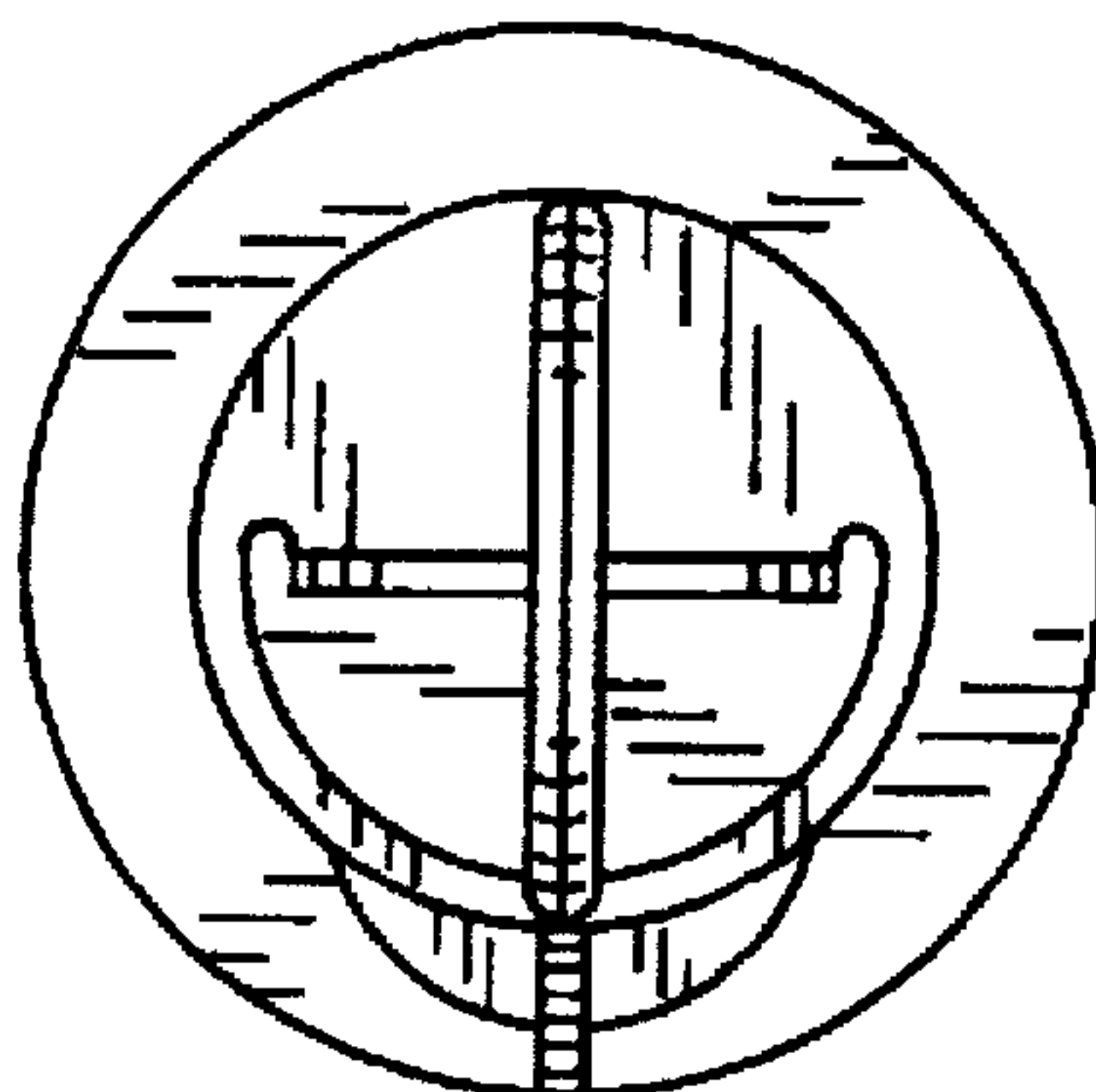


FIG. 5

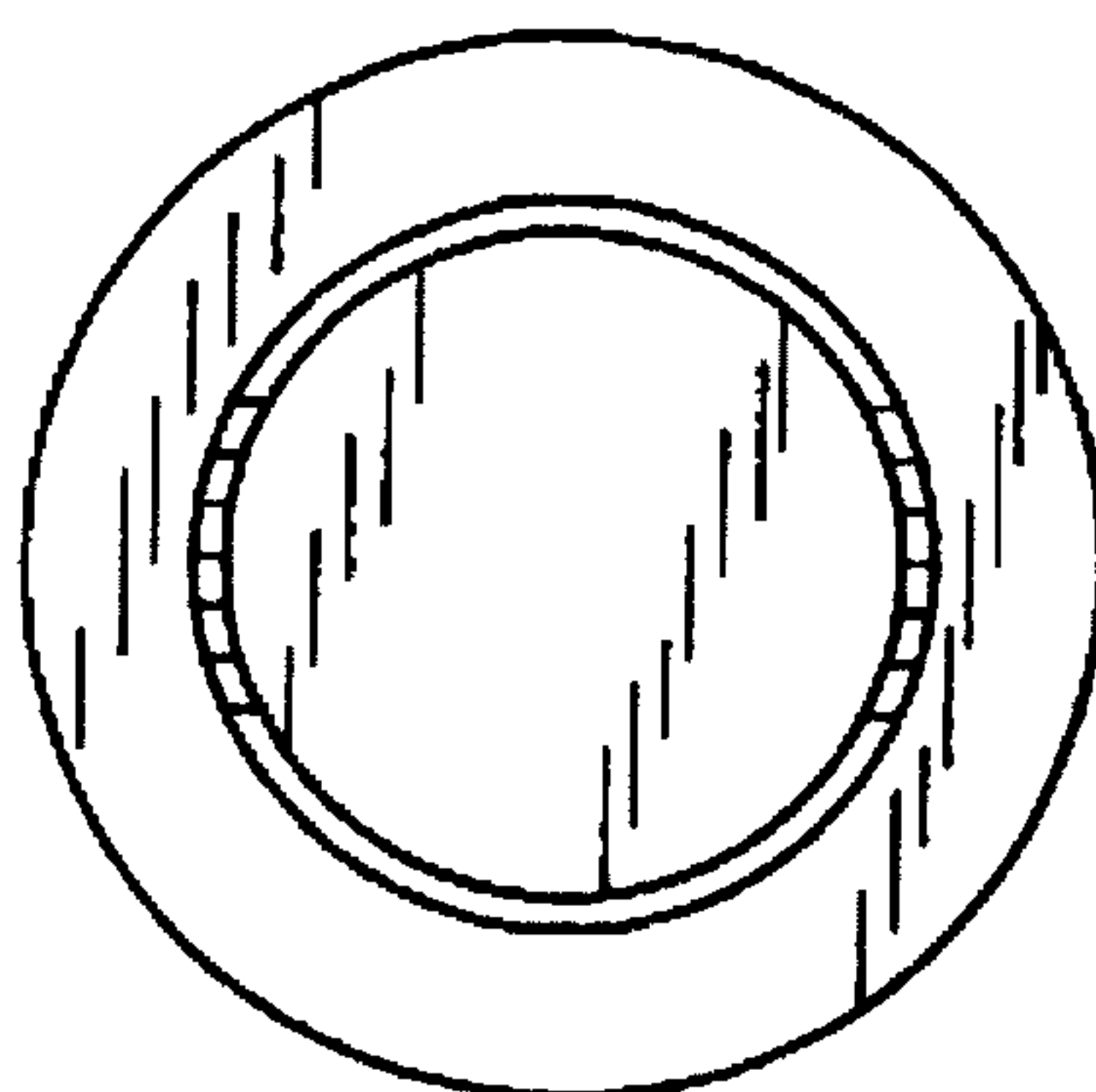


FIG. 6

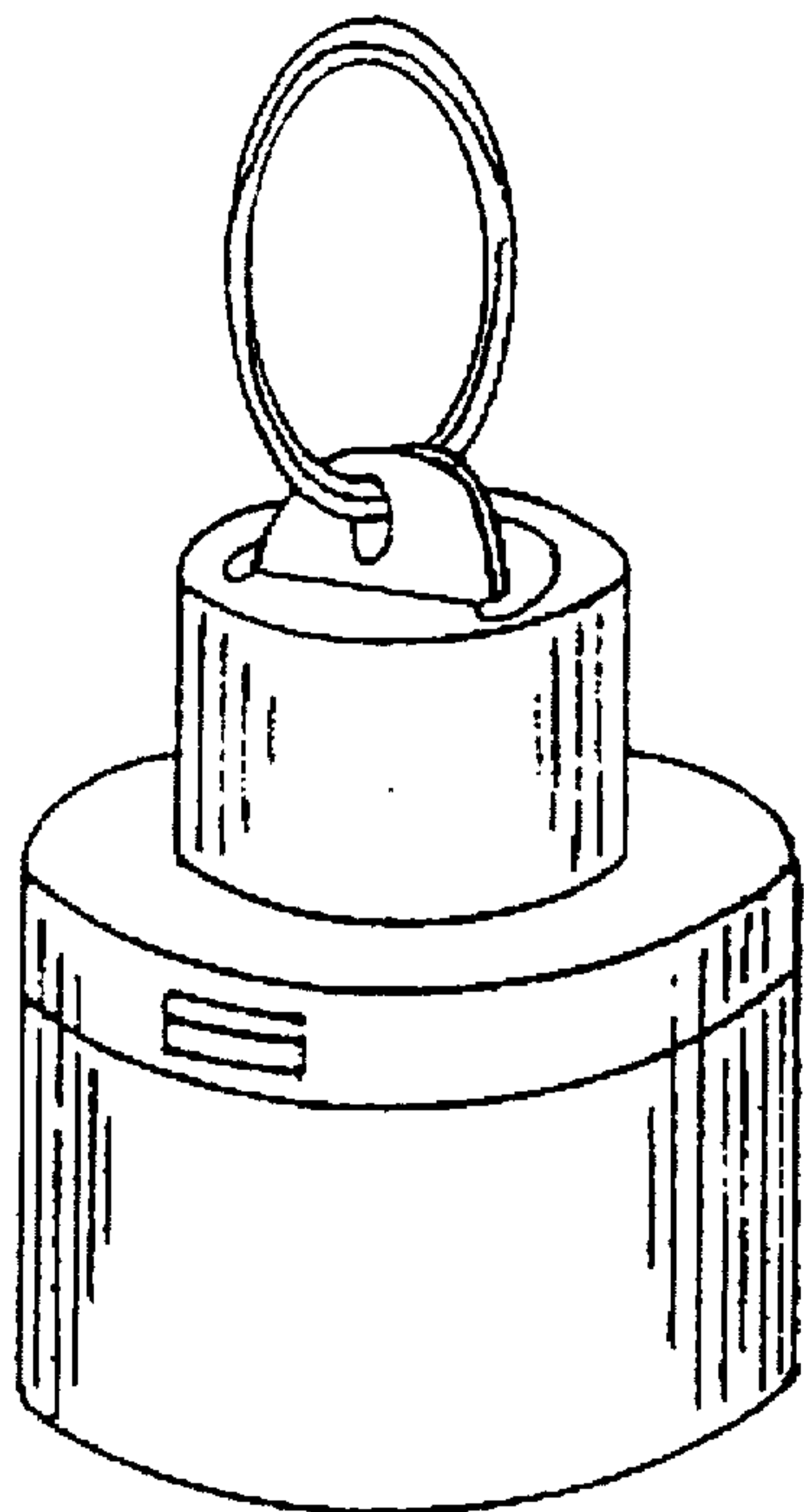


FIG 7

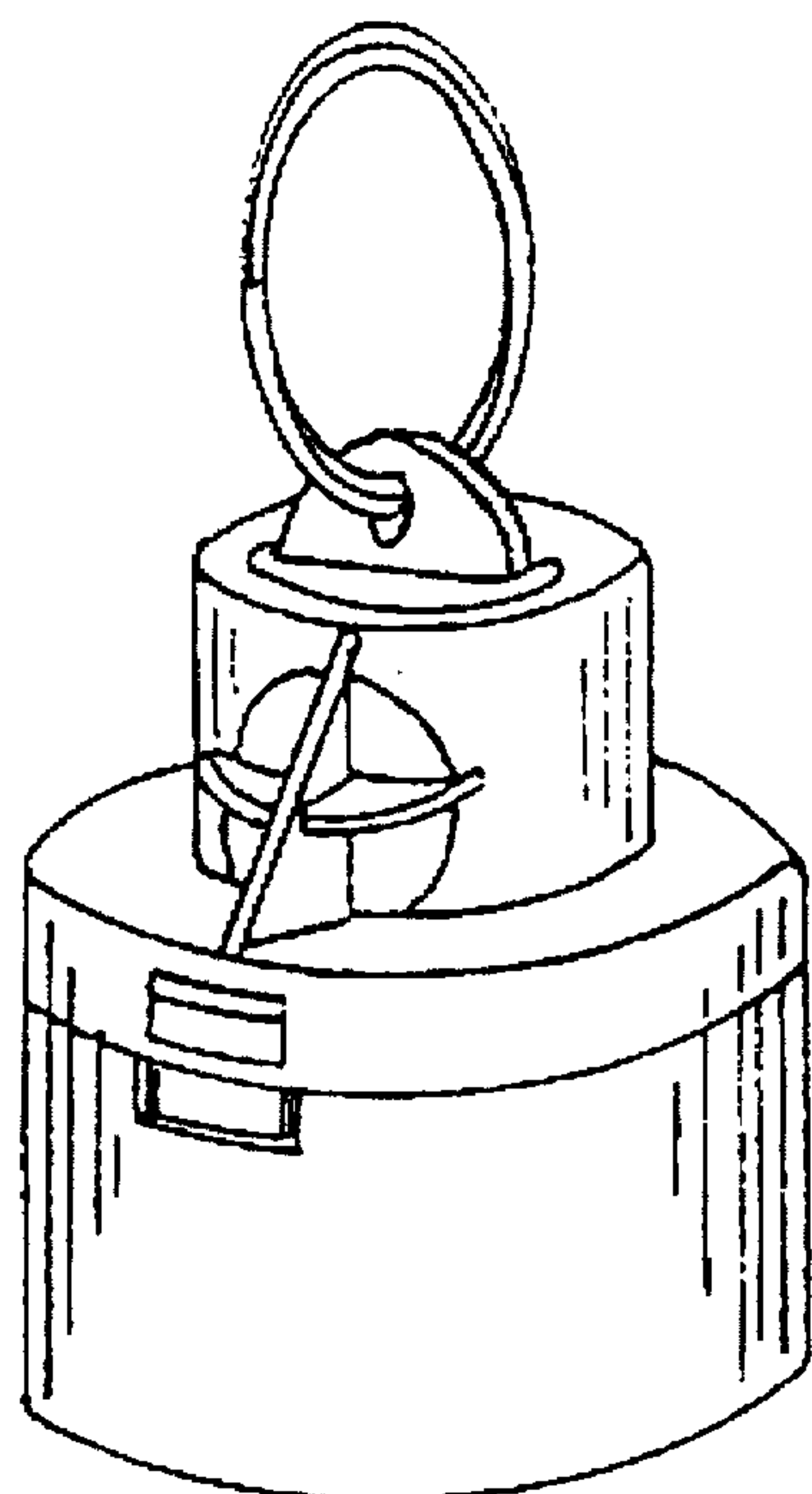


FIG 8