



US00D387992S

United States Patent [19]
Kotoucek

[11] **Patent Number: Des. 387,992**
[45] **Date of Patent: **Dec. 23, 1997**

[54] **BOTTLE BODY WITH BEVELED END**

[75] **Inventor: Randolph C. Kotoucek, St. Louis, Mo.**

[73] **Assignee: Kranson Industries, Inc., St. Louis, Mo.**

[**] **Term: 14 Years**

[21] **Appl. No.: 58,027**

[22] **Filed: Aug. 6, 1996**

[51] **LOC (6) Cl. 09-01**

[52] **U.S. Cl. D9/521; D9/302; D9/571**

[58] **Field of Search D9/521, 571, 302, D9/529, 575; 215/382; 222/206, 212, 215**

[56] **References Cited**

U.S. PATENT DOCUMENTS

D. 212,427	10/1968	Korol	D9/302	X
D. 244,176	5/1977	Pardo	D9/521	X
D. 328,246	7/1992	Nottingham et al.	D9/521	X
D. 353,329	12/1994	Mangold	D9/521	
D. 355,603	2/1995	Braun	D9/571	X
3,342,379	9/1967	Foley	D9/521	X

OTHER PUBLICATIONS

Beauty Fashion, Jun. 1984, p. 112, "Nocturnes de Caron" bottle.
Drug & Cosmetic Industry, Apr. 1987, p. 64, Perry Ellis body lotion package.

Primary Examiner—Lucy Lieberman
Attorney, Agent, or Firm—Howell & Haferkamp, L.C.

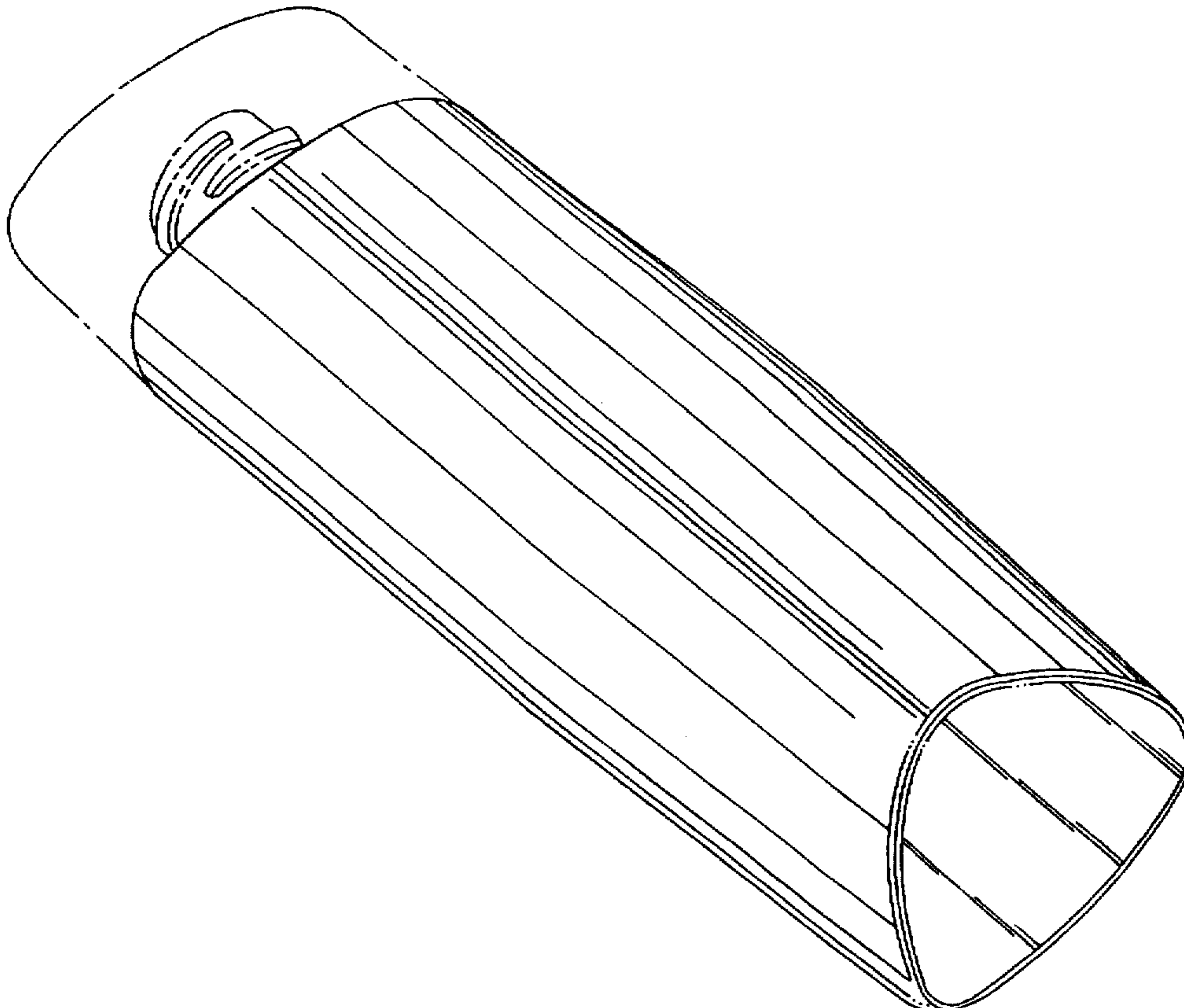
[57] **CLAIM**

The ornamental design for a bottle body with beveled end, as shown and described.

DESCRIPTION

FIG. 1 is a perspective view of a first embodiment of a bottle body constructed in accordance with our new design;
FIG. 2 is a top plan view of the first embodiment;
FIG. 3 is a front elevational view of the first embodiment;
FIG. 4 is a right side elevation of the first embodiment, the left side elevation is a mirror image thereto;
FIG. 5 is a rear elevational view of the first embodiment;
FIG. 6 is a bottom plan view of the first embodiment;
FIG. 7 is a front elevational view of a second embodiment of a bottle body with beveled end constructed in accordance with our new design;
FIG. 8 is a right side elevation of the second embodiment, the left side elevation is a mirror image thereto;
FIG. 9 is a perspective view of the second embodiment;
FIG. 10 is a top plan view of the second embodiment;
FIG. 11 is a rear elevational view of the second embodiment; and,
FIG. 12 is a bottom plan view of the second embodiment. The broken lines in the drawings are for illustrative purposes only and do not form part of the claimed design.

1 Claim, 6 Drawing Sheets



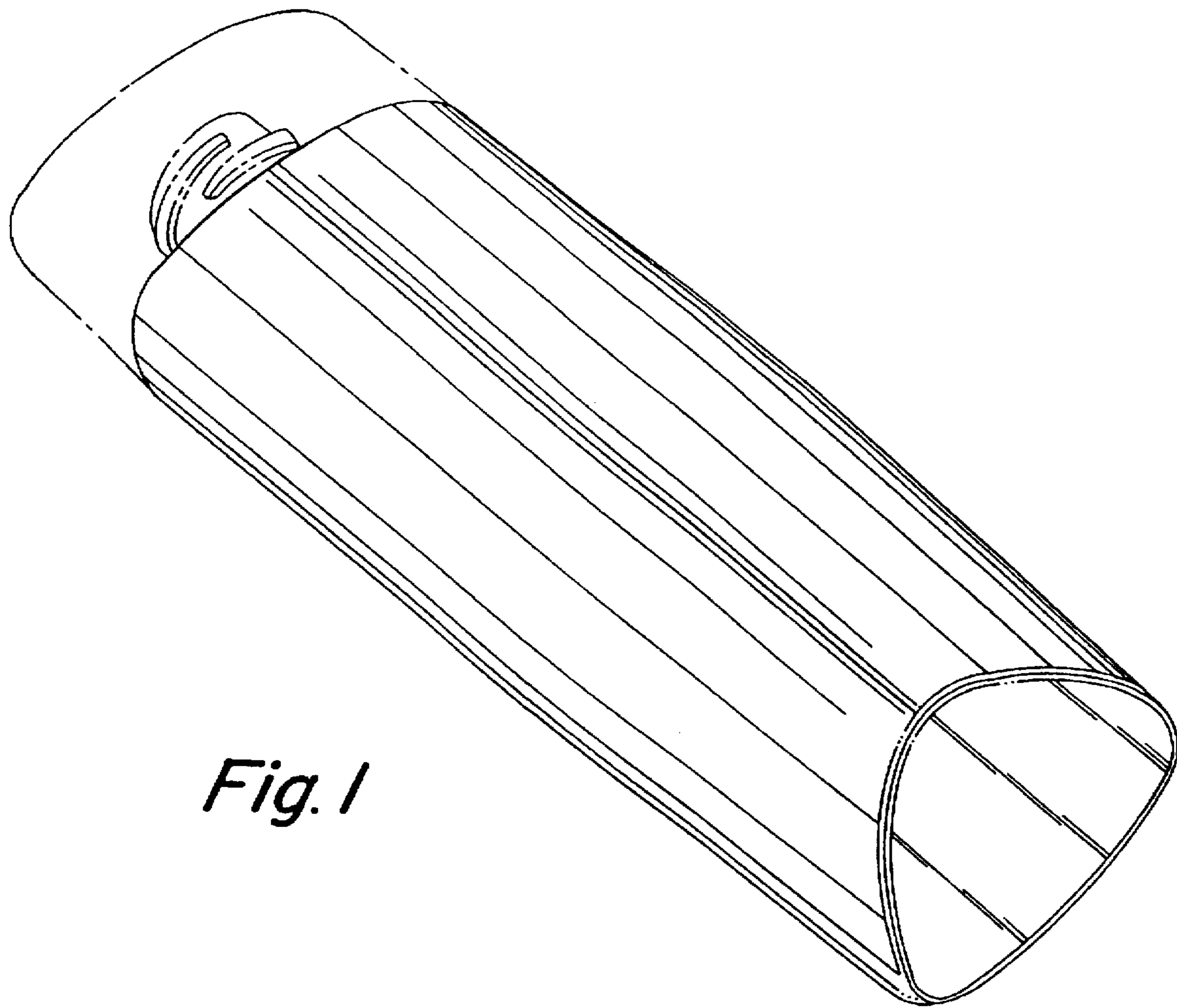


Fig. 1

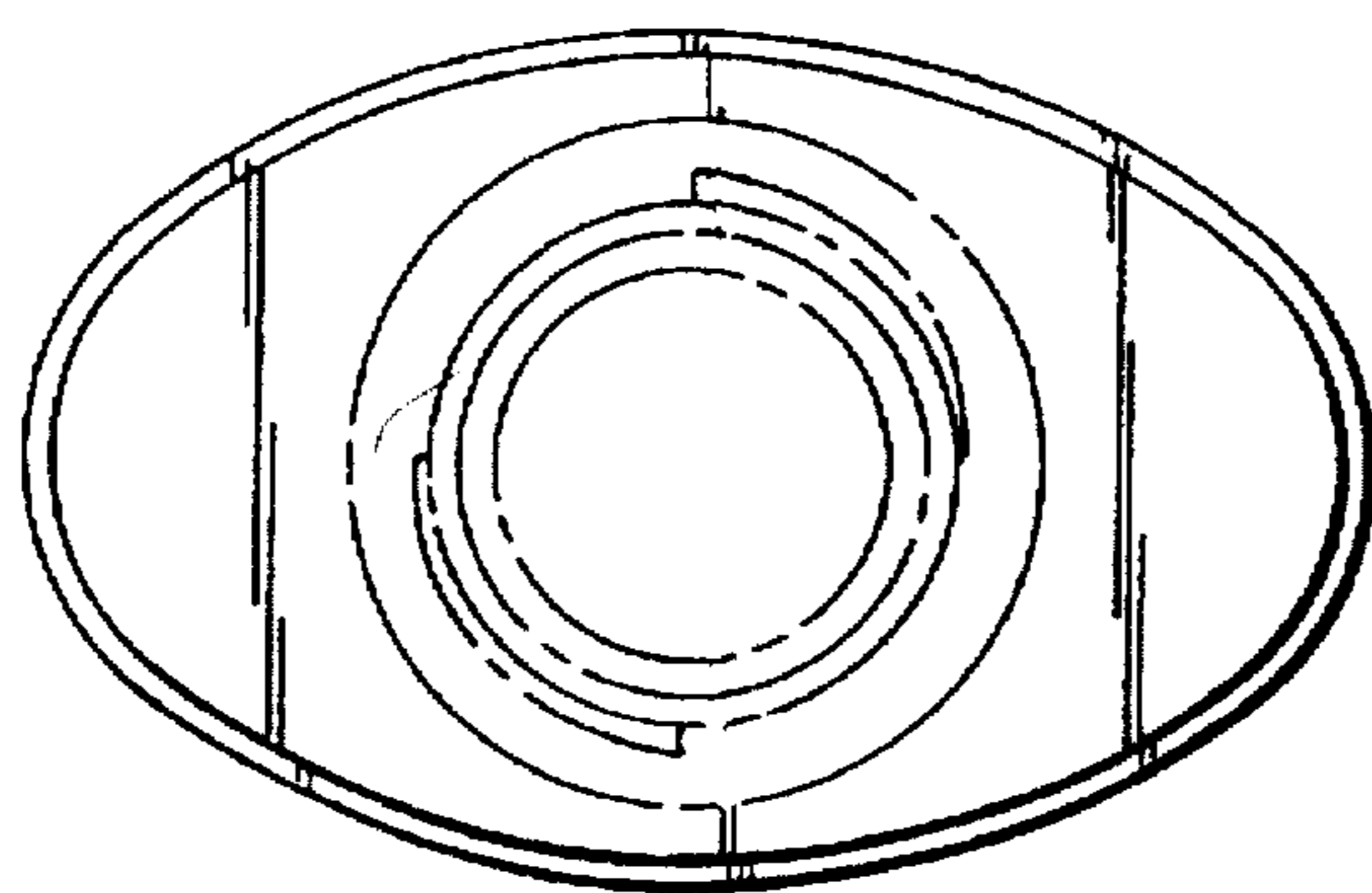


Fig. 2

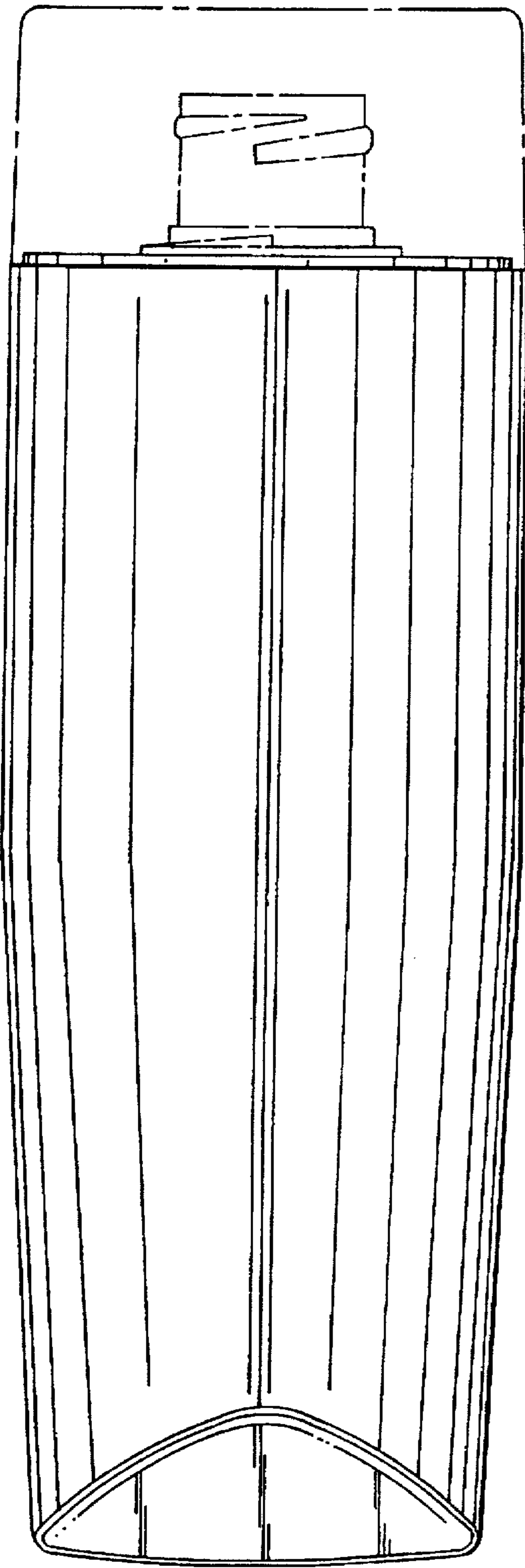


Fig. 3

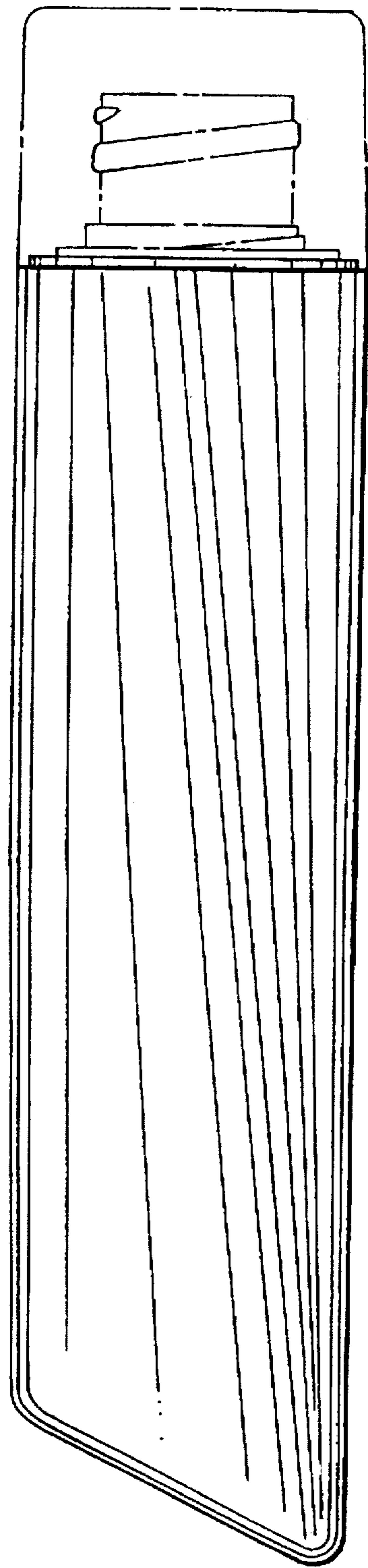


Fig. 4

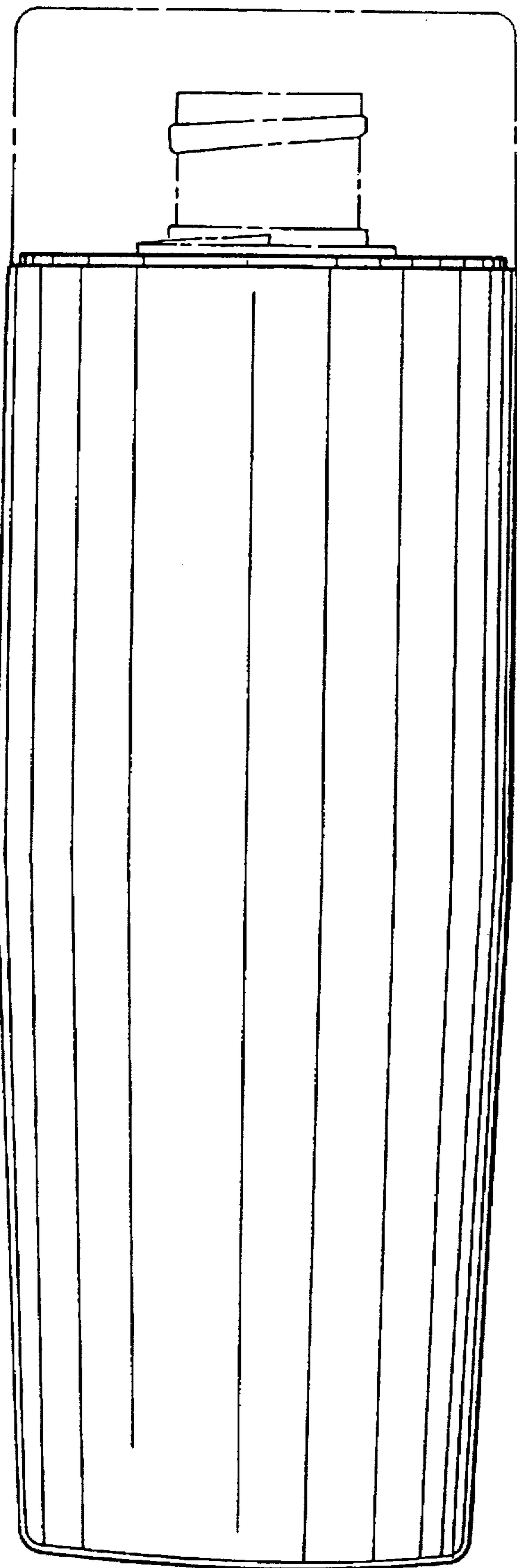


Fig. 5

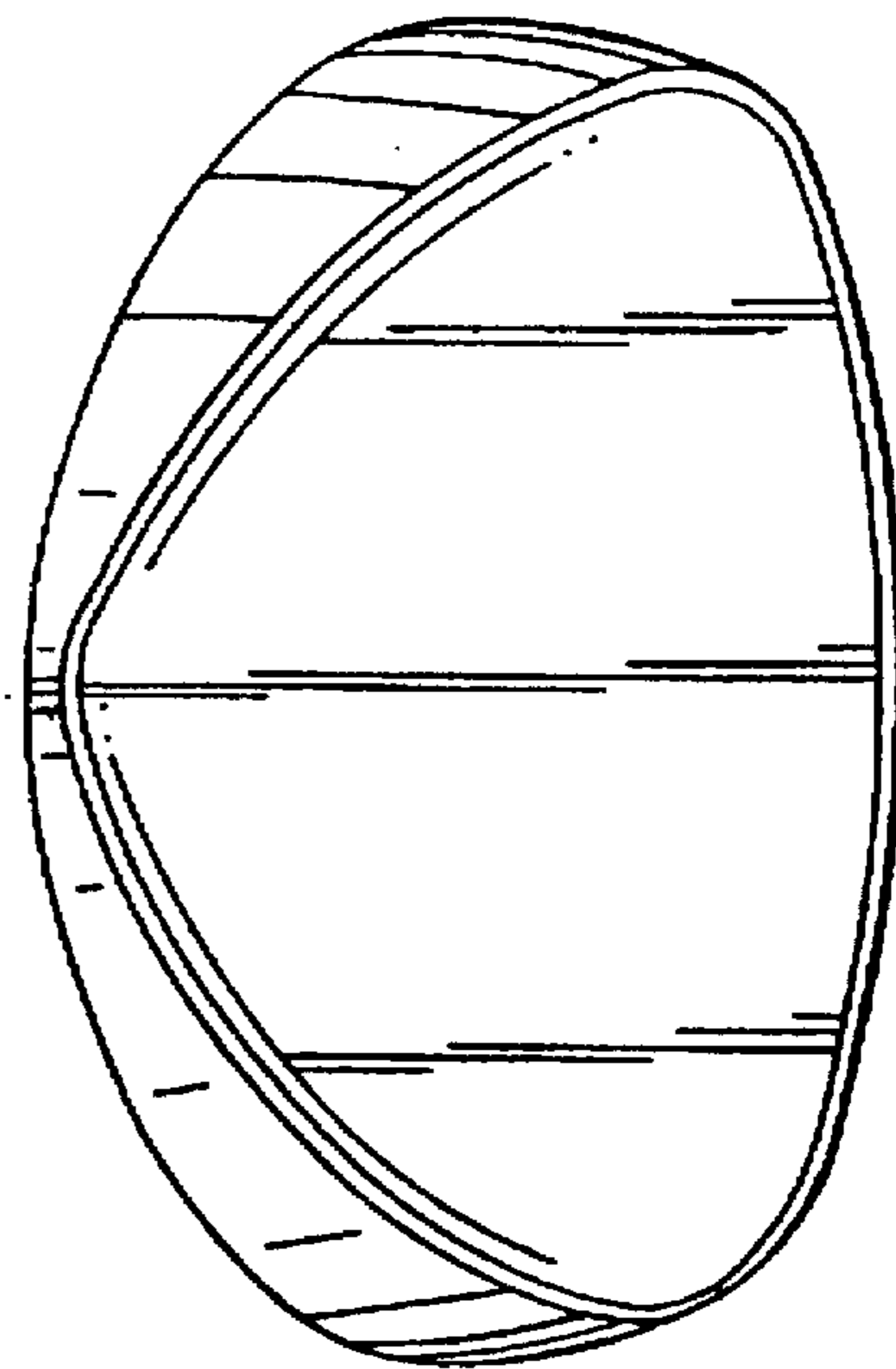


Fig. 6

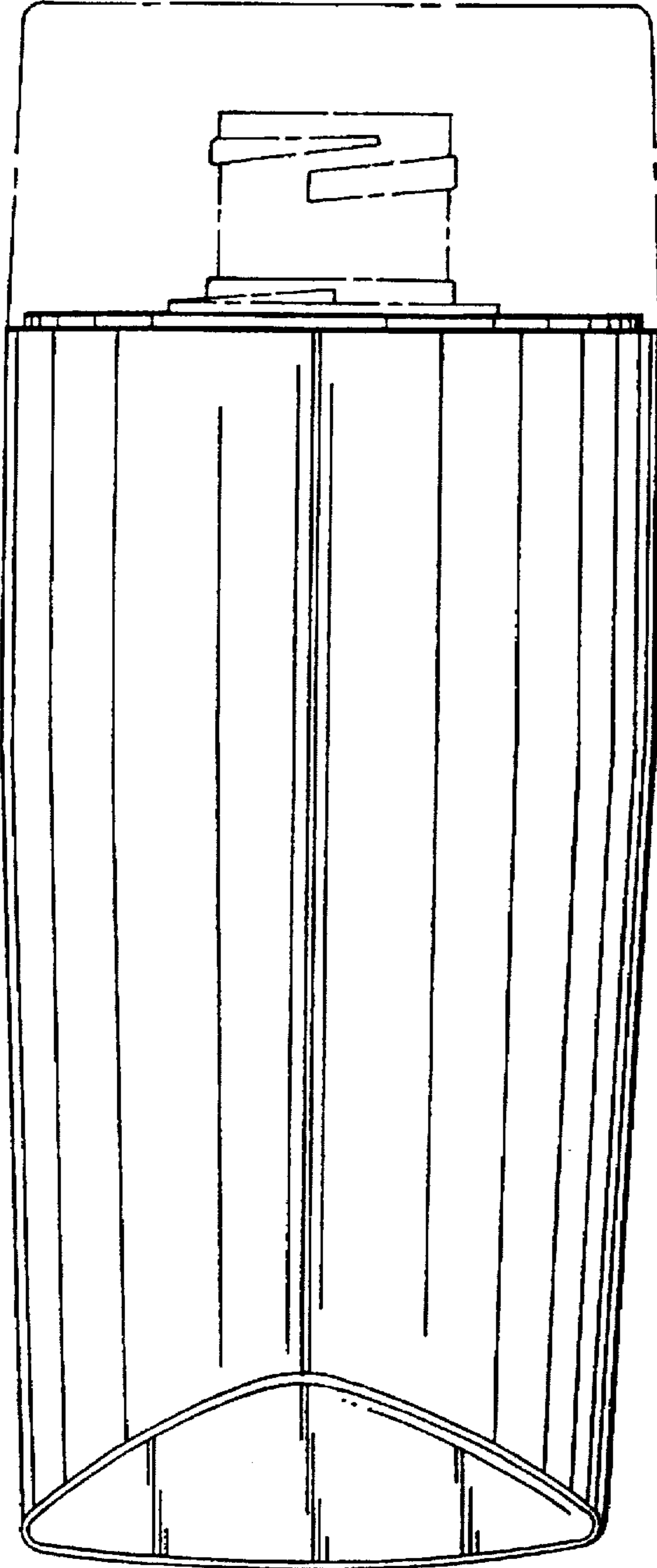


Fig. 7

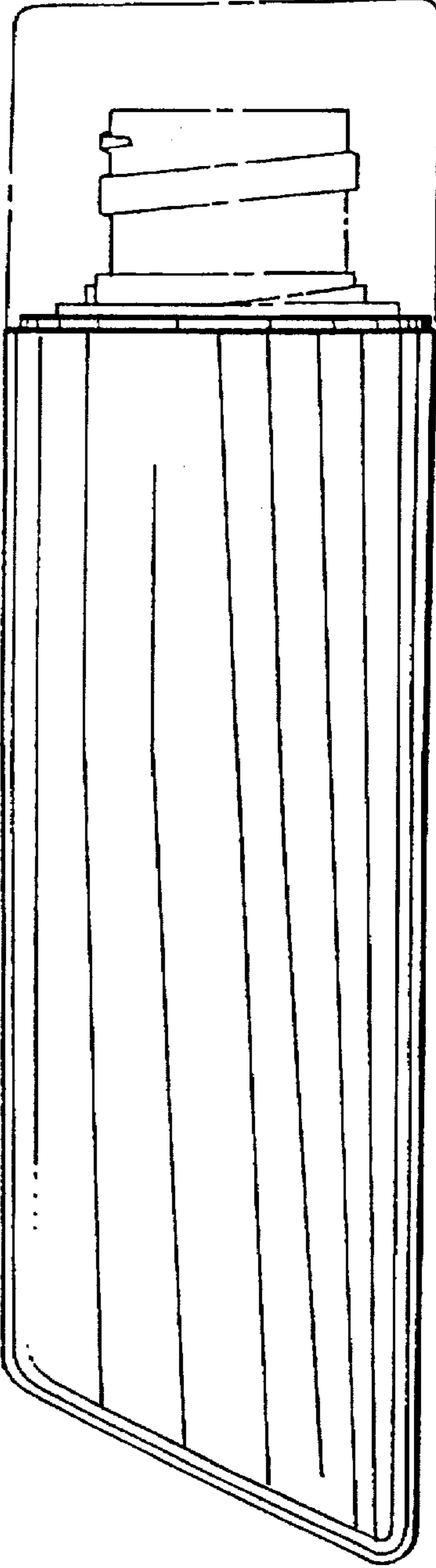


Fig. 8

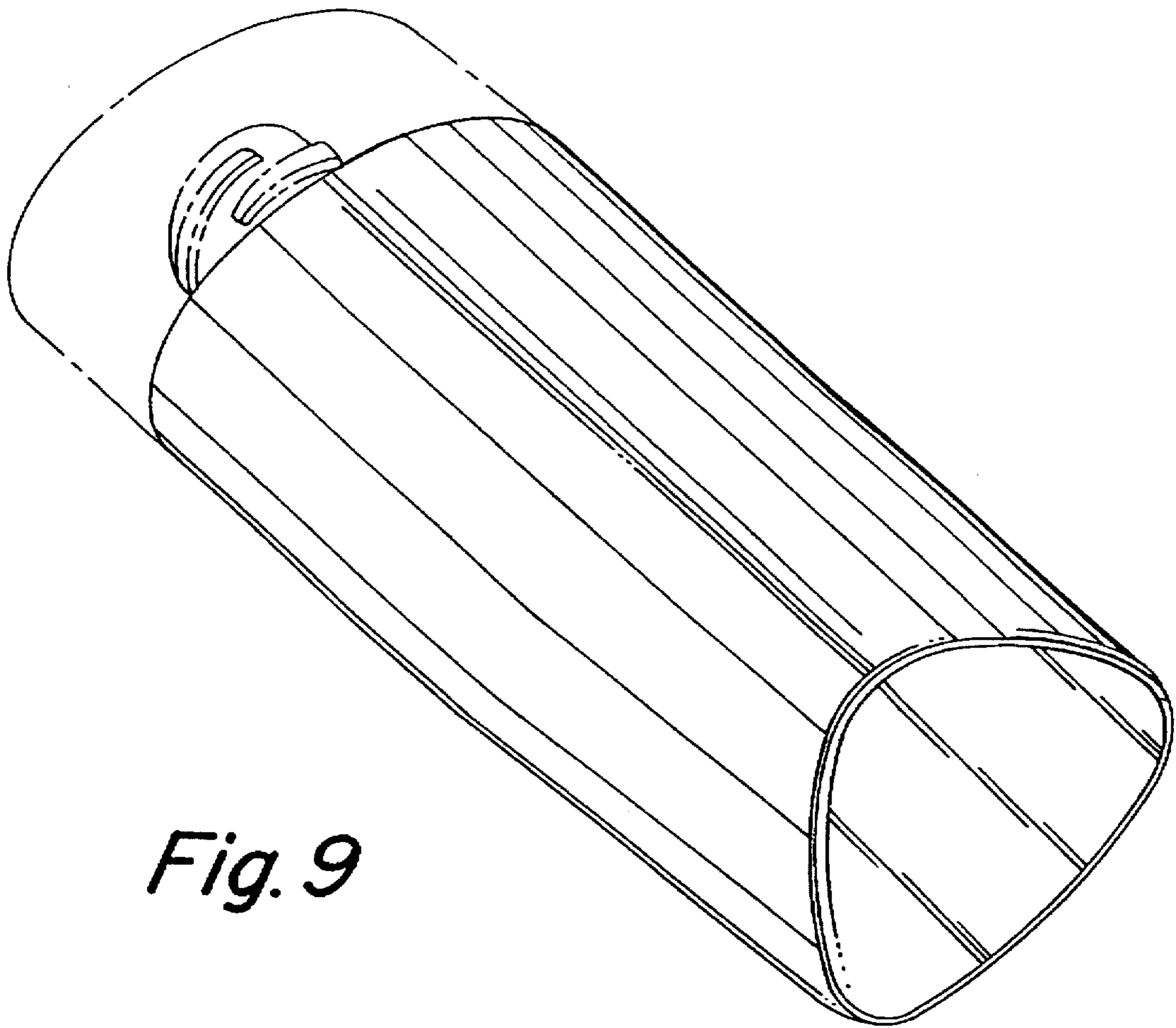


Fig. 9

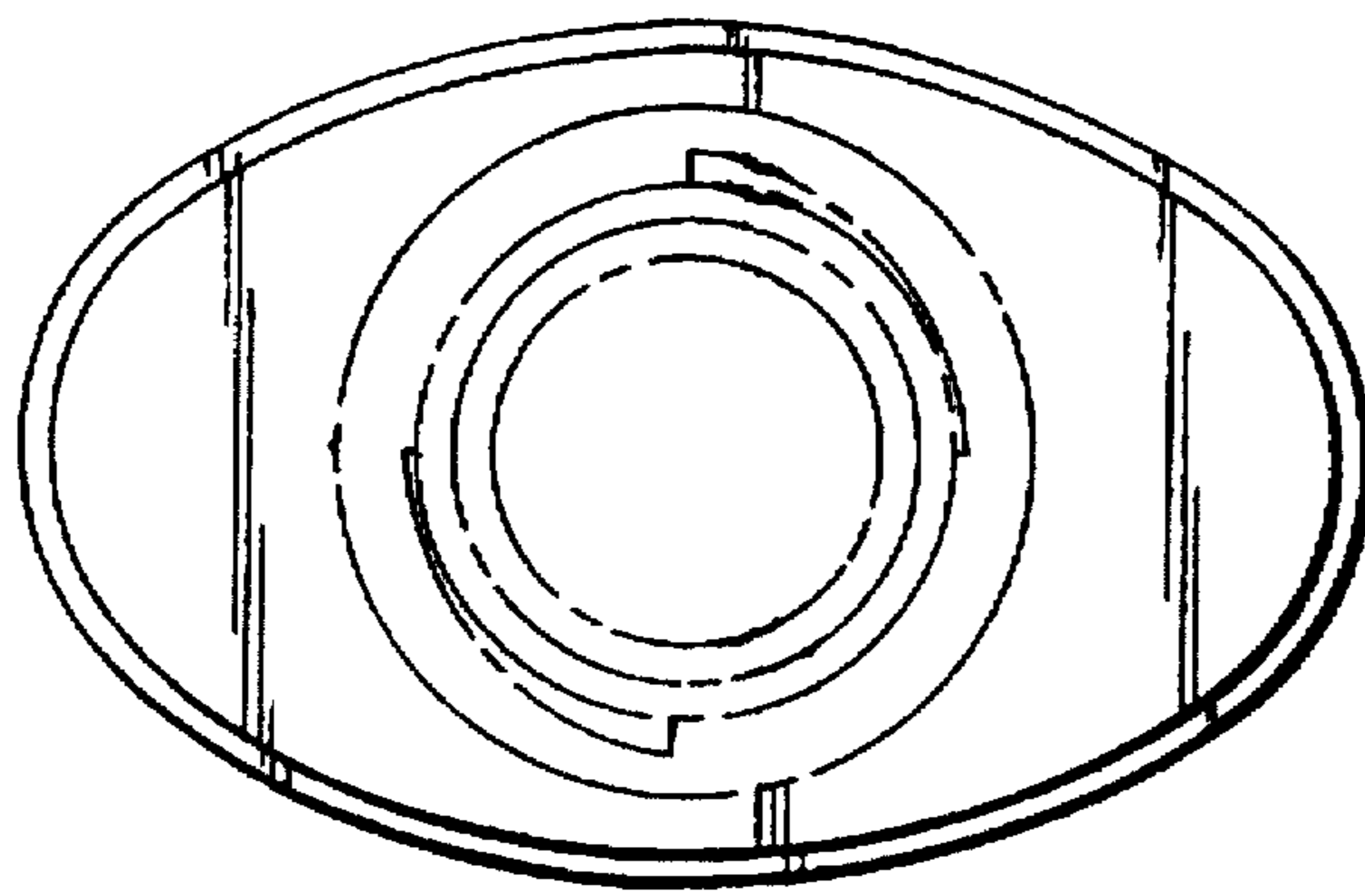


Fig. 10

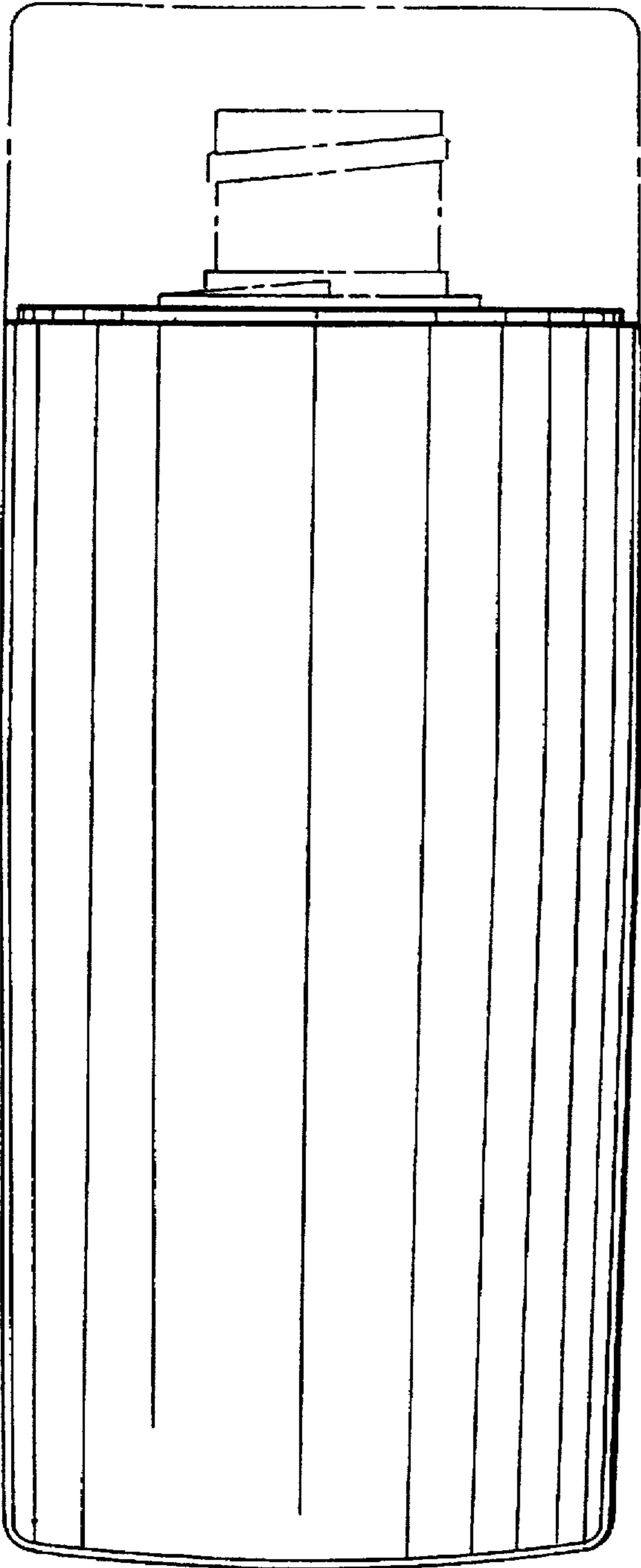


Fig. 11

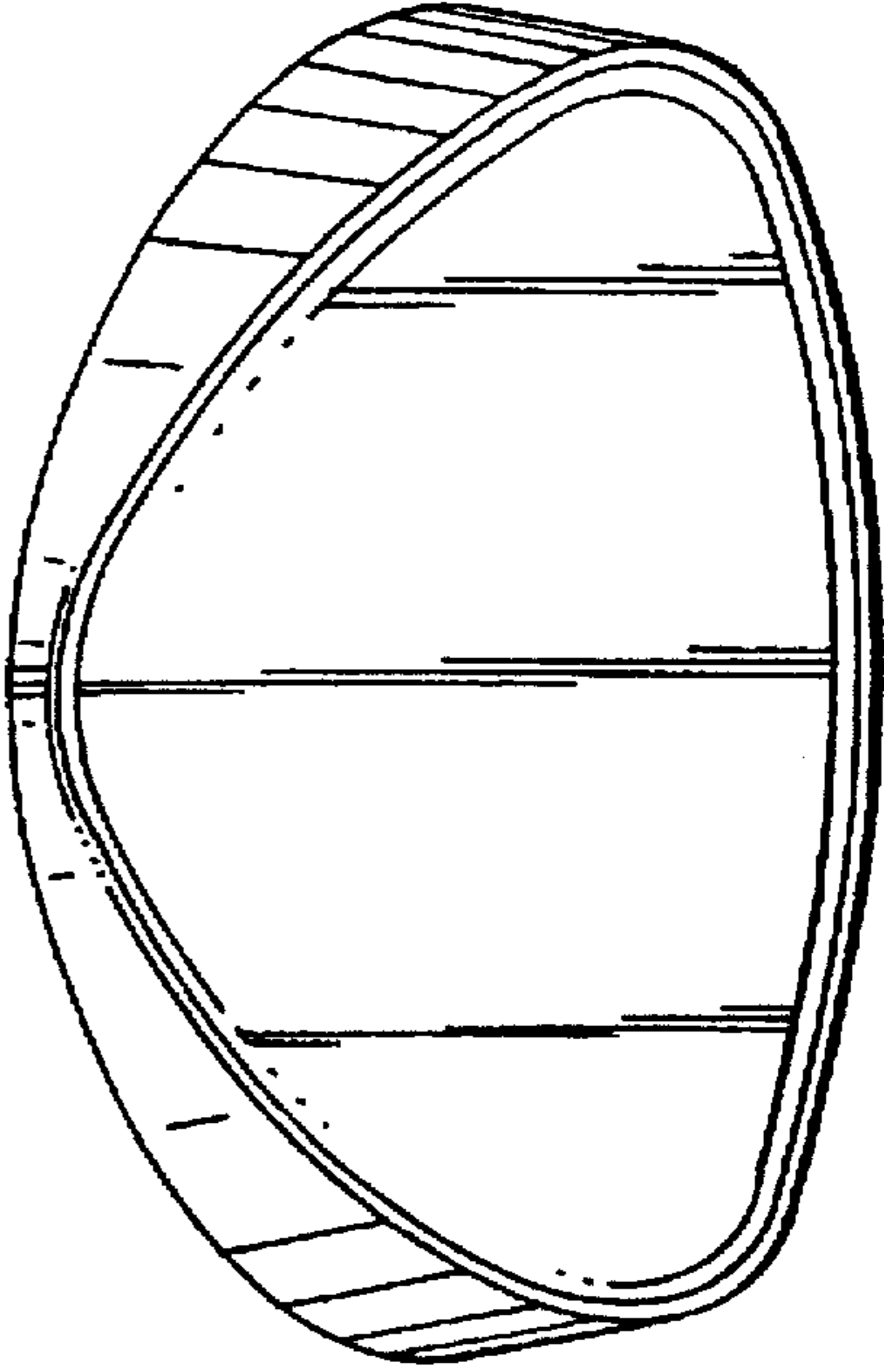


Fig. 12