



US00D387982S

United States Patent [19] Kaplan

[11] Patent Number: **Des. 387,982**
[45] Date of Patent: ****Dec. 23, 1997**

[54] **WATCH BOX**
[75] Inventor: **Michael Kaplan**, New Rochelle, N.Y.
[73] Assignee: **Rocket Jewelry Box, Inc.**, Bronx, N.Y.
[**] Term: **14 Years**
[21] Appl. No.: **51,162**
[22] Filed: **Mar. 4, 1996**
[51] LOC (6) Cl. **09-07**
[52] U.S. Cl. **D9/423; D9/432; D9/418**
[58] Field of Search **D9/422-424, 432, D9/418, 415, 414, 337; 206/6.1, 18, 301, 508, 566, 775, 776, 594; D28/83**

4,199,059 4/1980 Maroszek 206/776 X
4,932,527 6/1990 Hayes 220/758 X

OTHER PUBLICATIONS

Jewelers Keystones, 1985, p. 3.
Primary Examiner—Prabhakar G. Deshmukh
Attorney, Agent, or Firm—Lewis H. Eslinger

[57] CLAIM

The ornamental design for a watch box, as shown and described.

DESCRIPTION

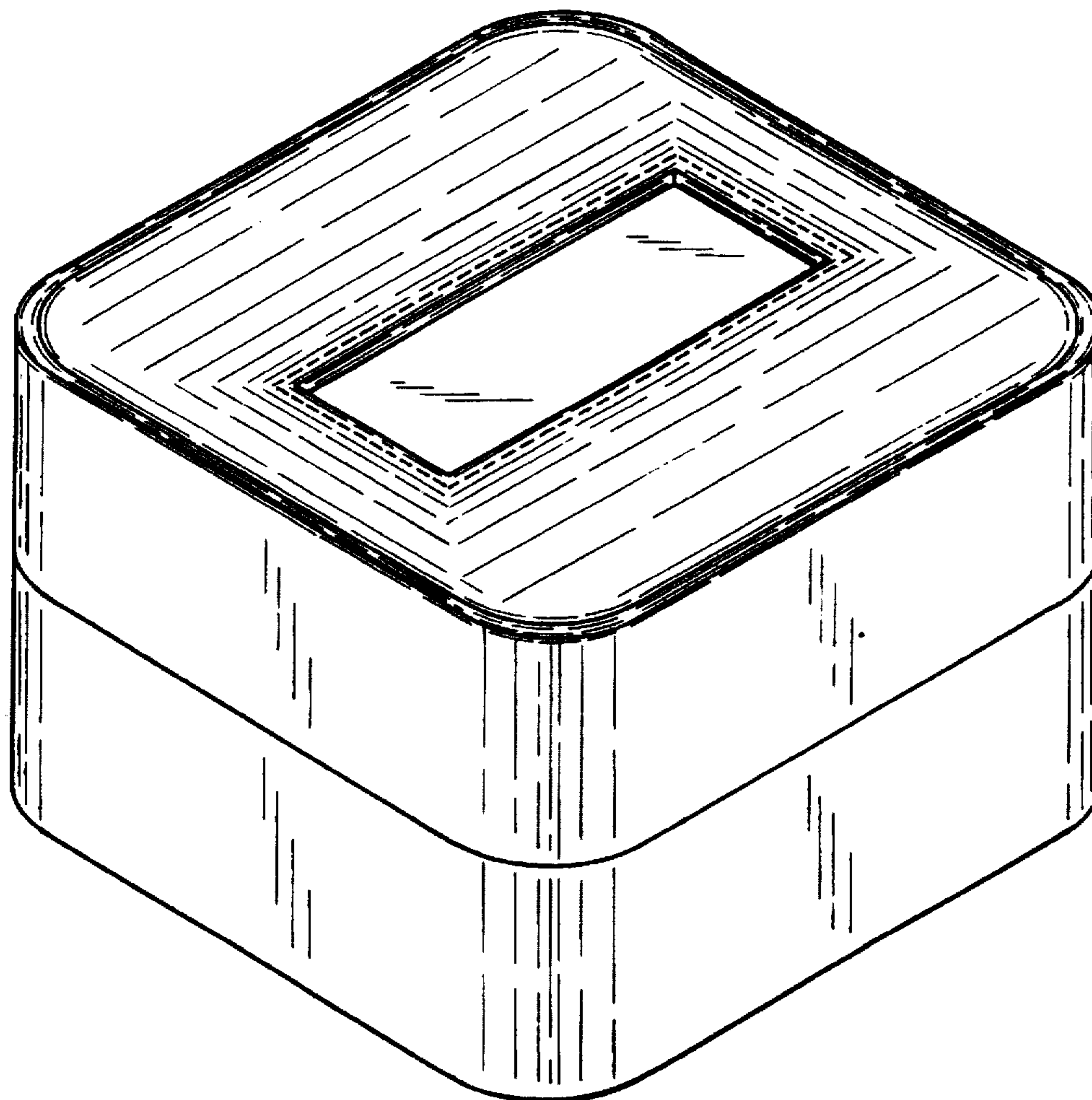
FIG. 1 is a perspective side and top view of the watch box showing my new and ornamental design;
FIG. 2 is a top view thereof;
FIG. 3 is a bottom view thereof;
FIG. 4 is a front view thereof;
FIG. 5 is a right side view, the opposite side being a mirror-image thereof; and,
FIG. 6 is a rear view thereof.
The broken lines represent stitch lines.

[56] References Cited

U.S. PATENT DOCUMENTS

D. 343,357 1/1994 Masunaga D9/422
D. 344,676 3/1994 Newman D9/423 X
488,097 12/1892 Smith 206/18
1,098,768 6/1914 Sundee 206/301
1,735,061 11/1929 Shields 206/301 X
4,011,942 3/1977 Crosslen 206/776 X

1 Claim, 4 Drawing Sheets



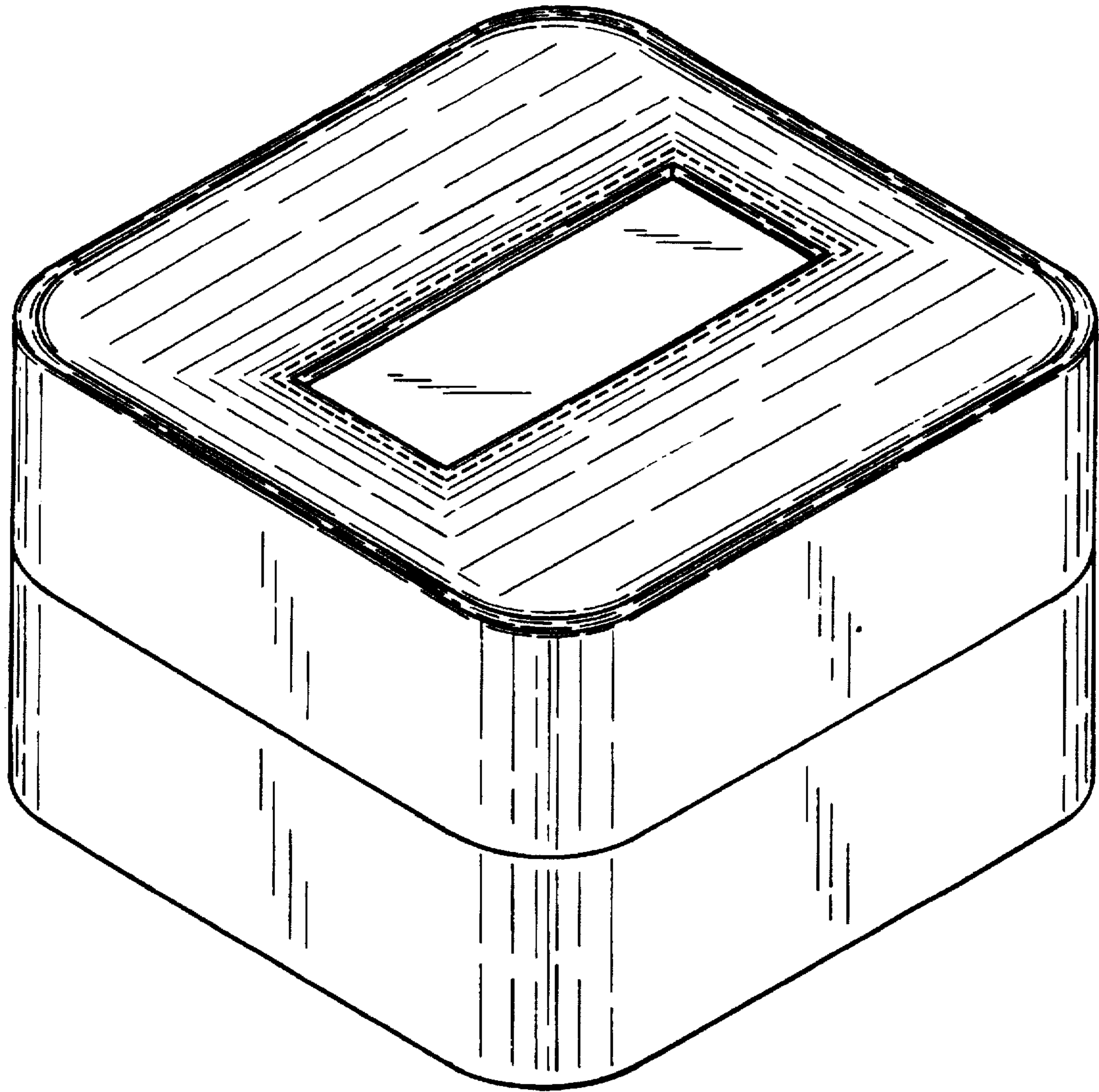


FIG. 1

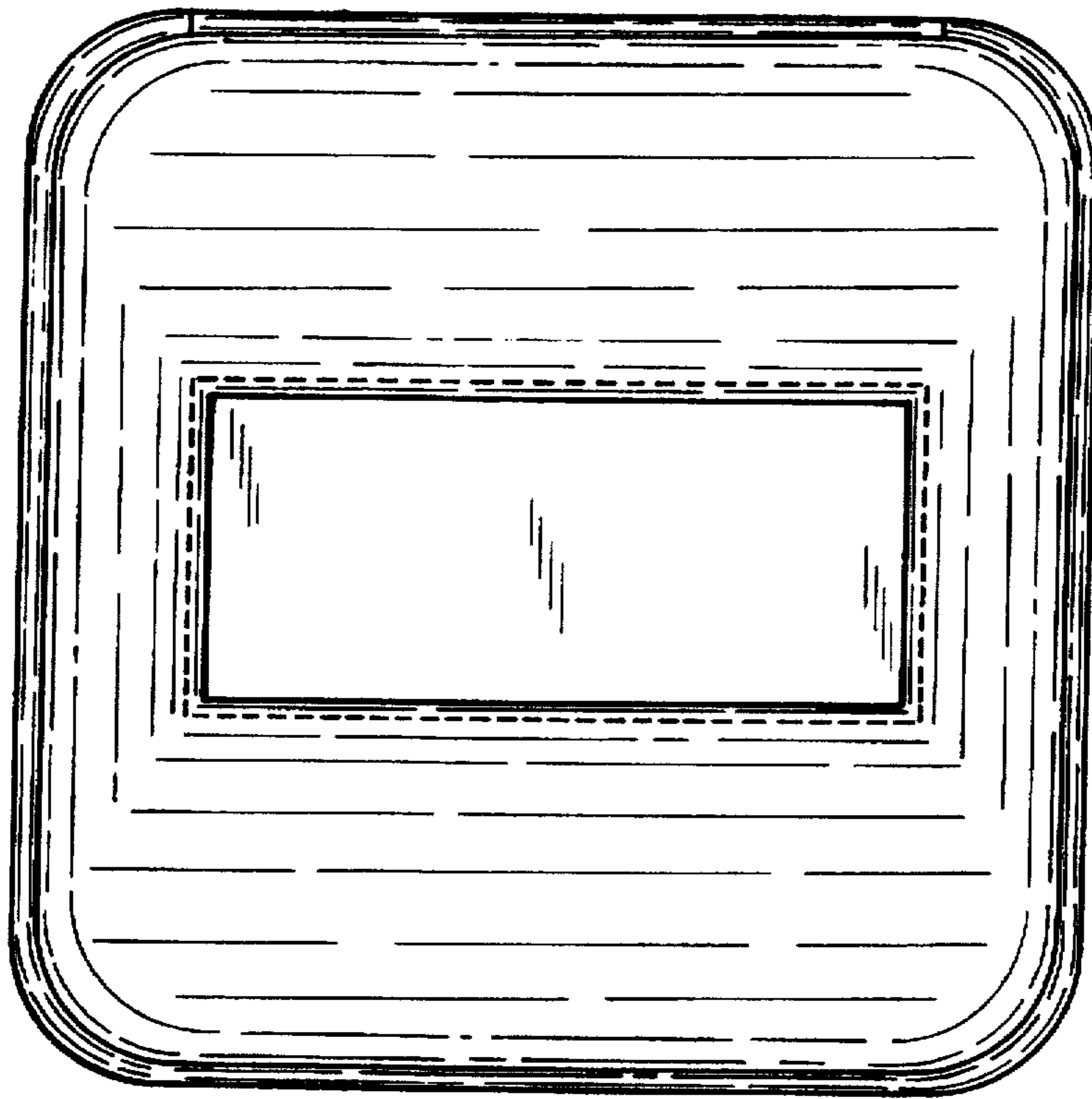


FIG. 2

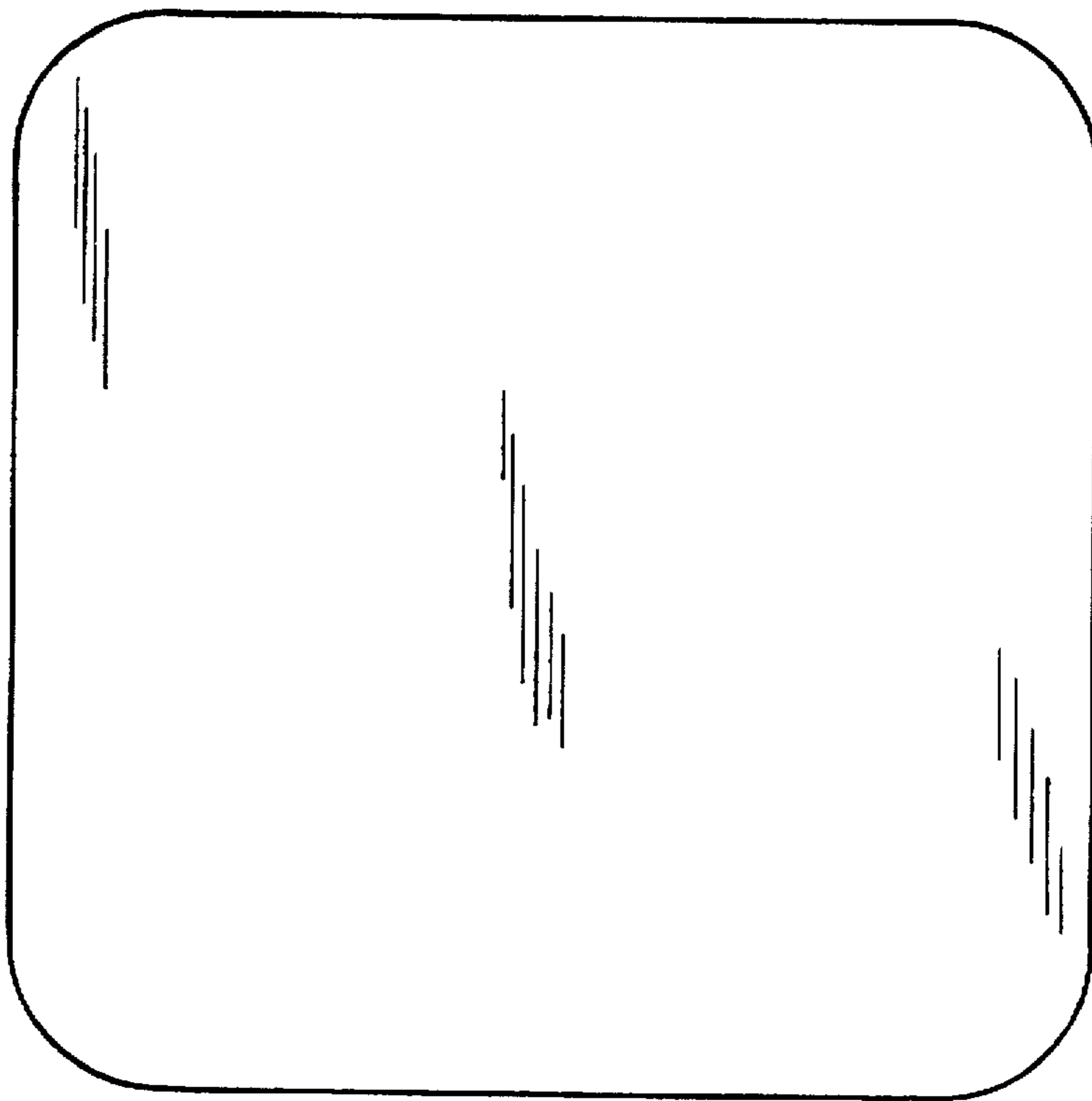


FIG. 3

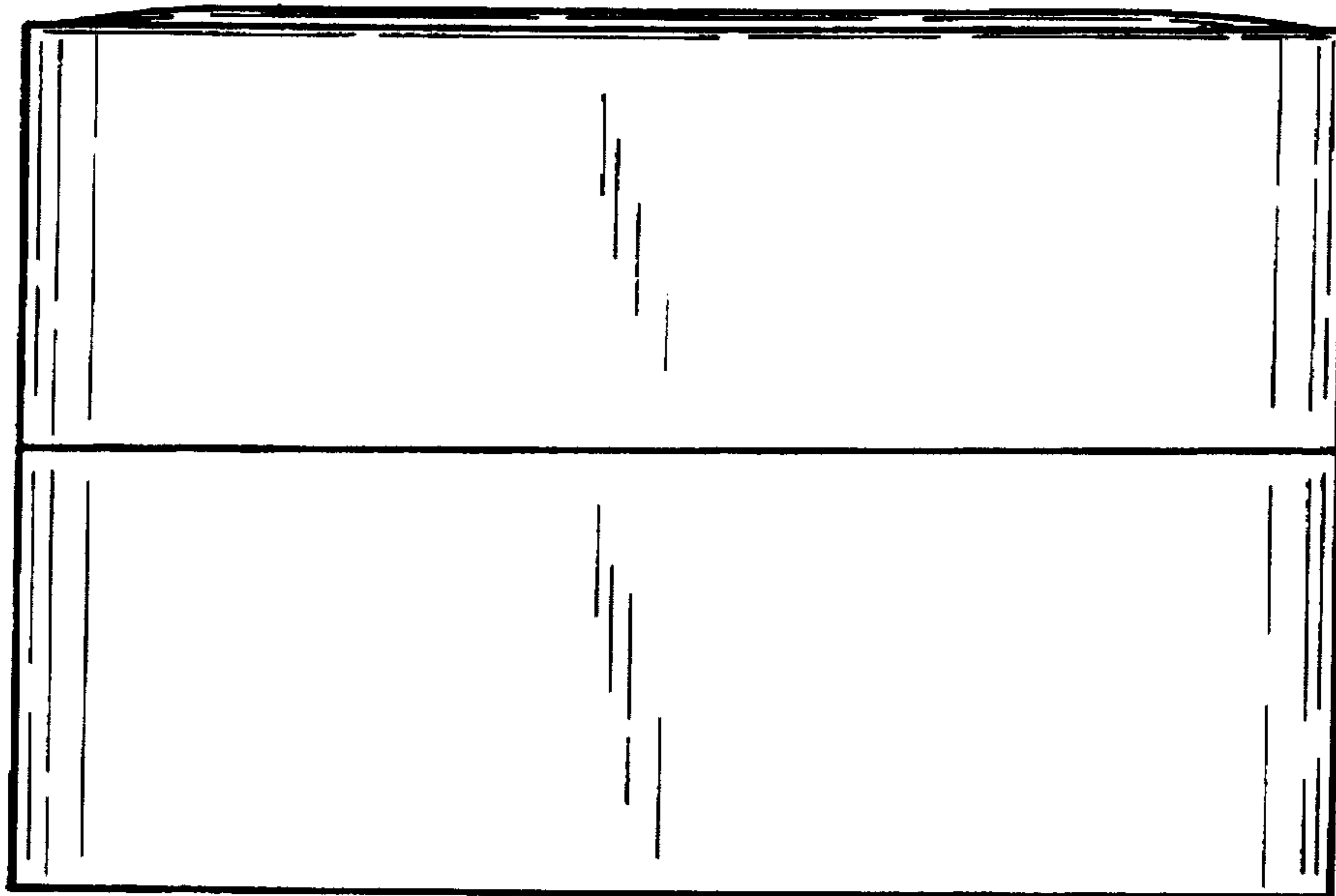


FIG. 4

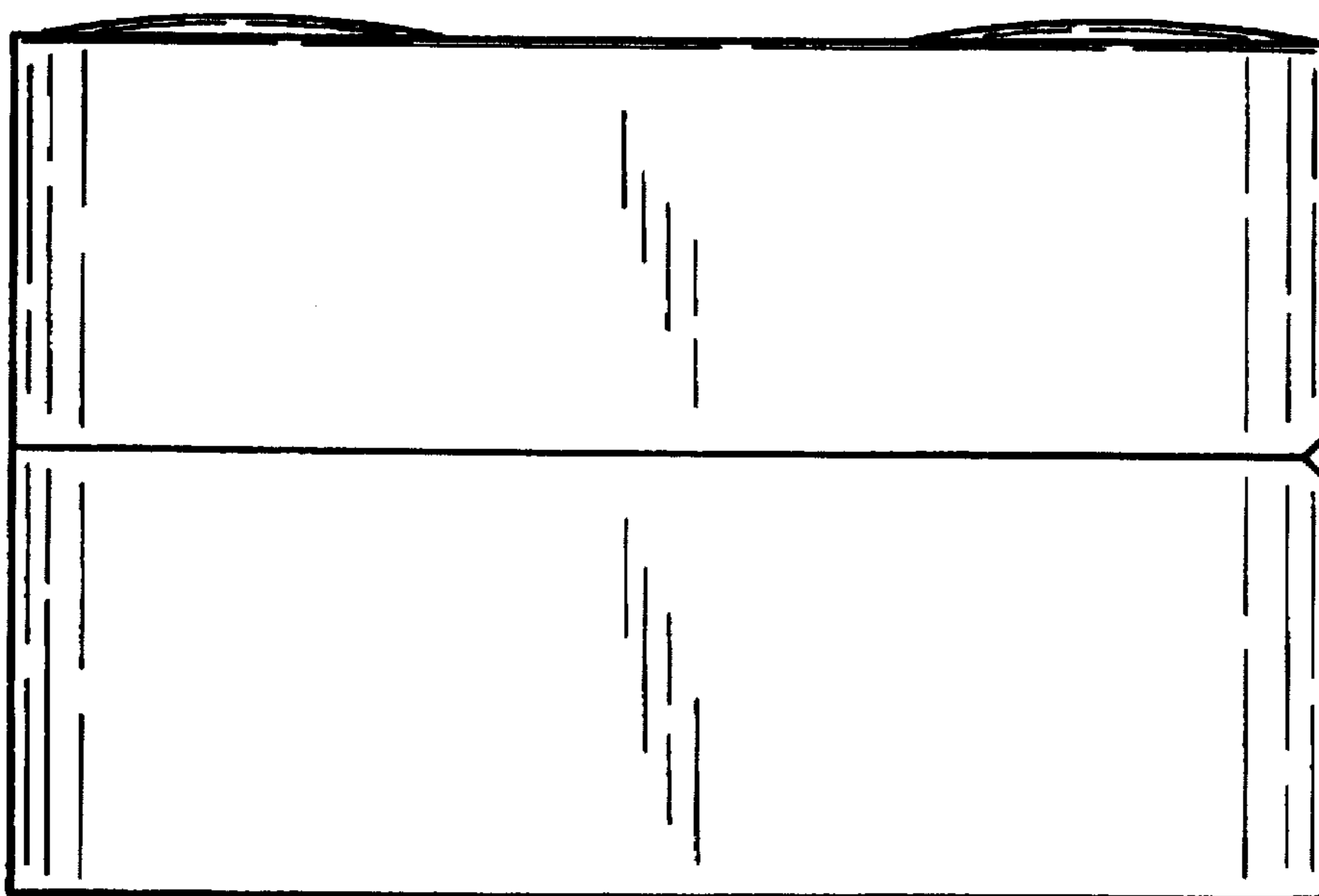


FIG. 5

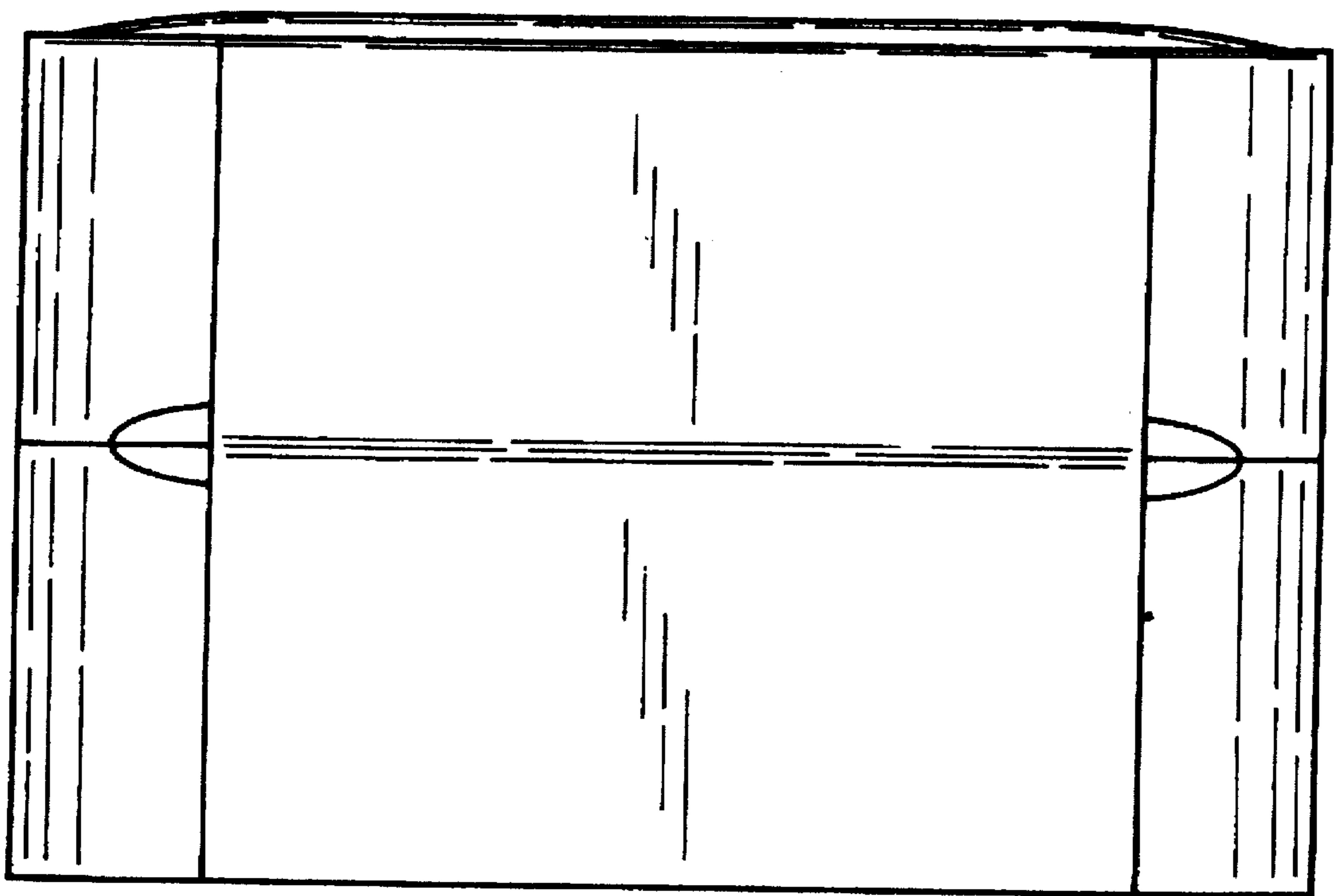


FIG.6