



US00D387981S

# United States Patent [19]

Mosior et al.

[11] Patent Number: **Des. 387,981**

[45] Date of Patent: **\*\*Dec. 23, 1997**

[54] **GLOVE DISPENSER**

[75] Inventors: **Donald J. Mosior**, Lake Geneva, Wis.;  
**Lawrence G. Ponsi**, Wheeling; **John O'Daniel**, Lake Barrington, both of Ill.

1,641,709 9/1927 Tam ..... 206/278 X  
 4,677,697 7/1987 Hayes ..... 206/278 X  
 4,773,532 9/1988 Stephenson ..... 206/278  
 4,844,293 7/1989 McLaughlin ..... 206/278 X

[73] Assignee: **Sage Products, Inc.**, Crystal Lake, Ill.  
 [\*\*] Term: **14 Years**

**OTHER PUBLICATIONS**  
 Rubbermaid, Apr. 1991, p. 10.  
*Primary Examiner*—Prabhakar G. Deshmukh  
*Attorney, Agent, or Firm*—Lee, Mann, Smith, McWilliam,  
 Sweeney Ohlson

[21] Appl. No.: **46,564**  
 [22] Filed: **Oct. 5, 1995**

[57] **CLAIM**  
 The ornamental design for a glove dispenser, as shown and described.

[51] LOC (6) Cl. .... **09-07**  
 [52] U.S. Cl. .... **D9/418; D3/304**  
 [58] Field of Search ..... D9/418, 417, 424,  
 D9/425, 432; D3/304, 314; D6/515, 822;  
 206/213, 278, 518, 562, 761, 763, 203

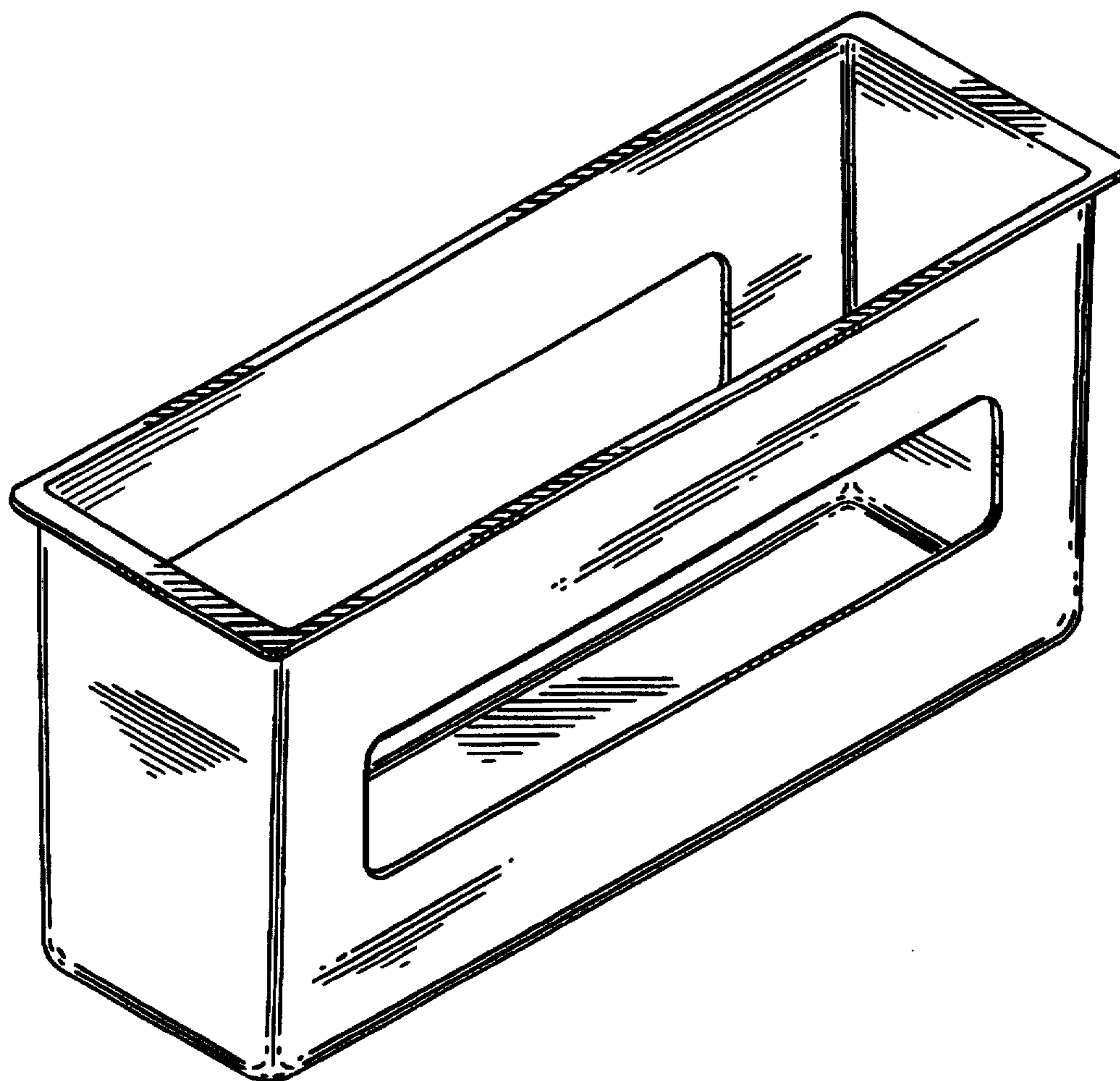
### DESCRIPTION

FIG. 1 is a perspective view of a glove dispenser according to our invention;  
 FIG. 2 is a front elevational view thereof;  
 FIG. 3 is a side elevational view of one side of the glove box, with the opposite side being identical;  
 FIG. 4 is a top plan view thereof;  
 FIG. 5 is a rear elevational view thereof; and,  
 FIG. 6 is a bottom plan view thereof.

[56] **References Cited**  
**U.S. PATENT DOCUMENTS**

D. 223,732 5/1972 Misenko ..... D9/432 X  
 D. 242,021 10/1976 Shanklin ..... D9/418  
 D. 254,585 4/1980 LeCaire, Jr. et al. .... D9/425 X  
 D. 265,723 8/1982 Rosenthal ..... D9/418 X  
 D. 330,734 11/1992 Luten ..... D9/418 X

**1 Claim, 2 Drawing Sheets**



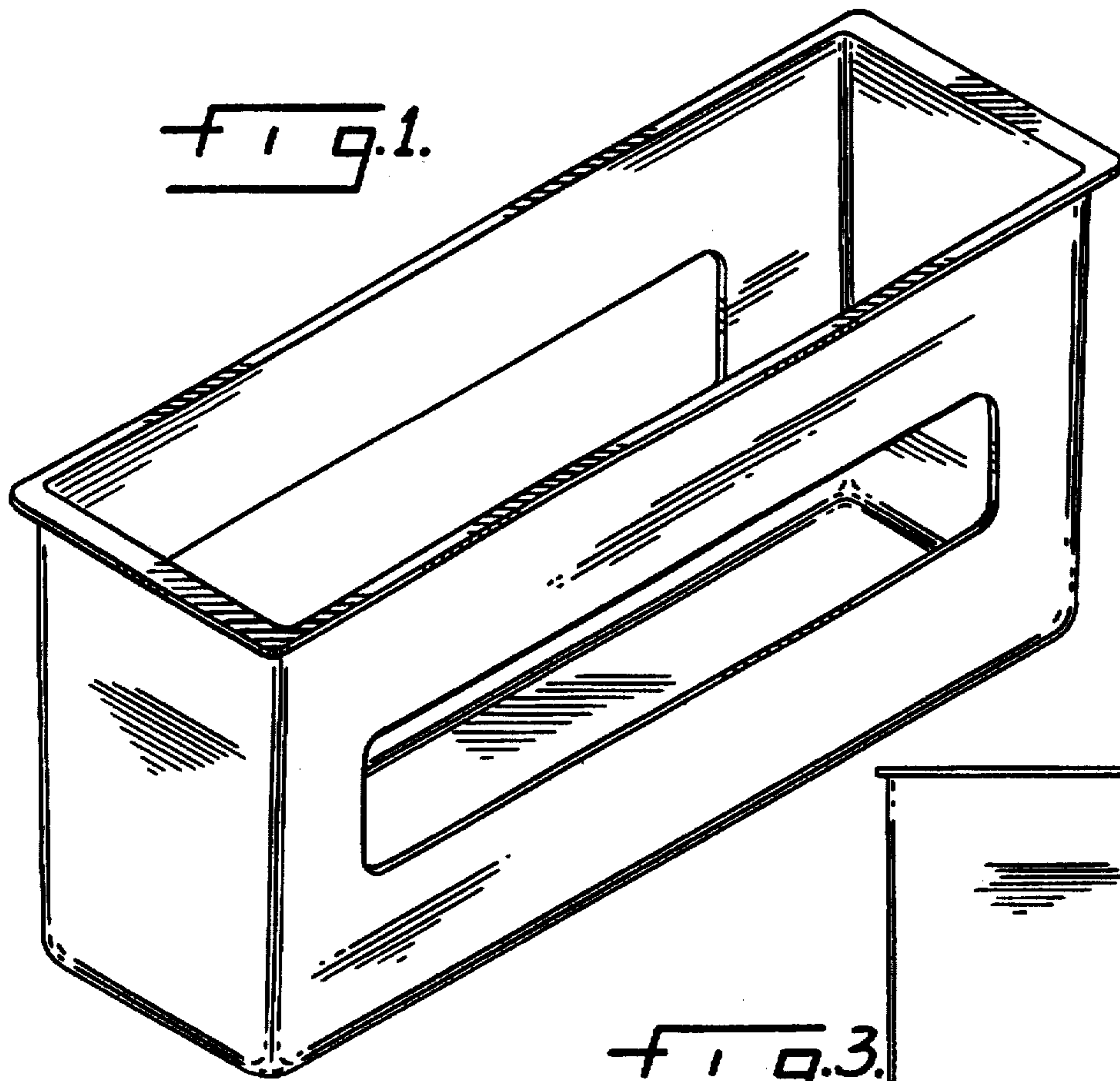


fig. 3.

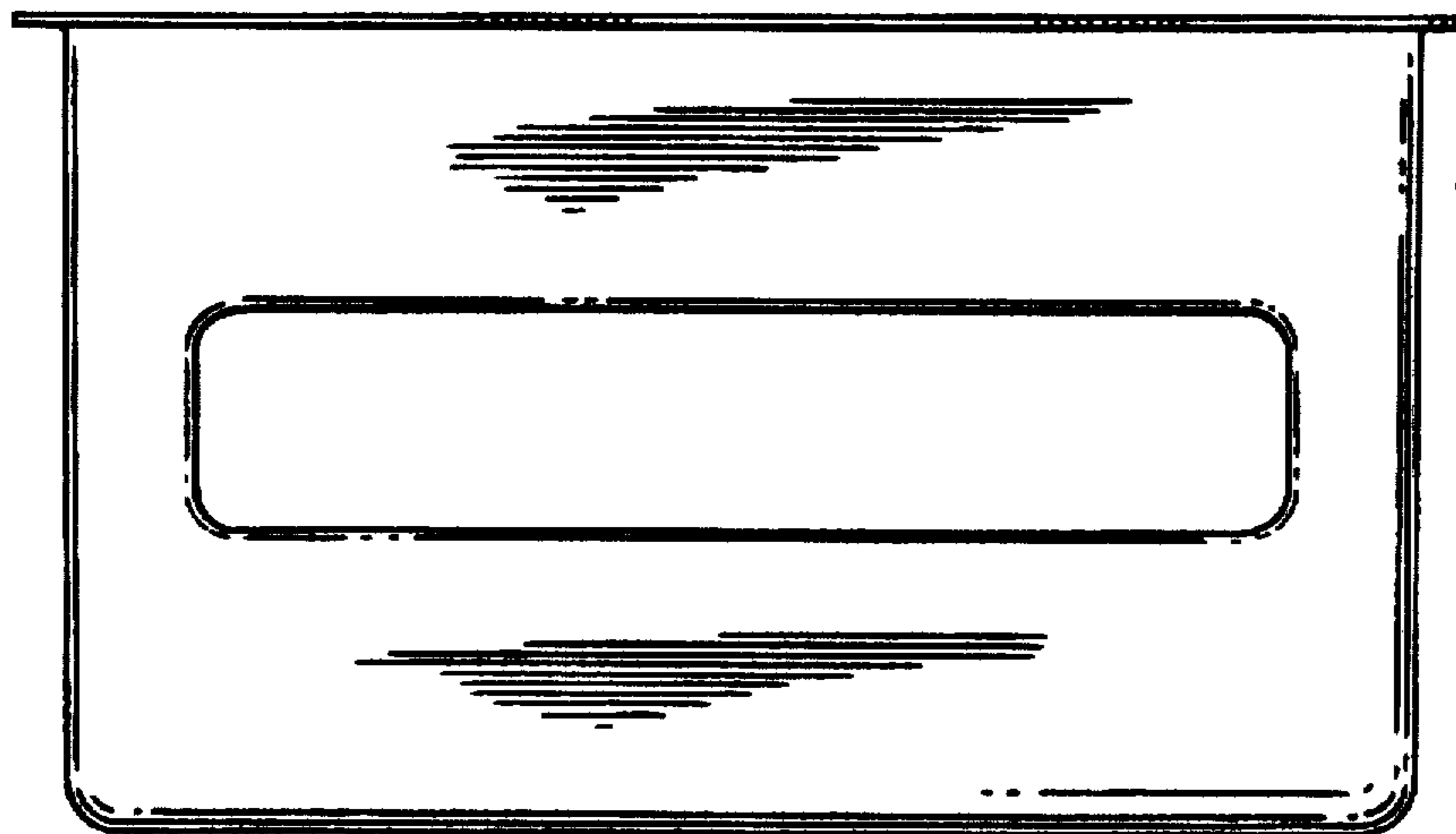
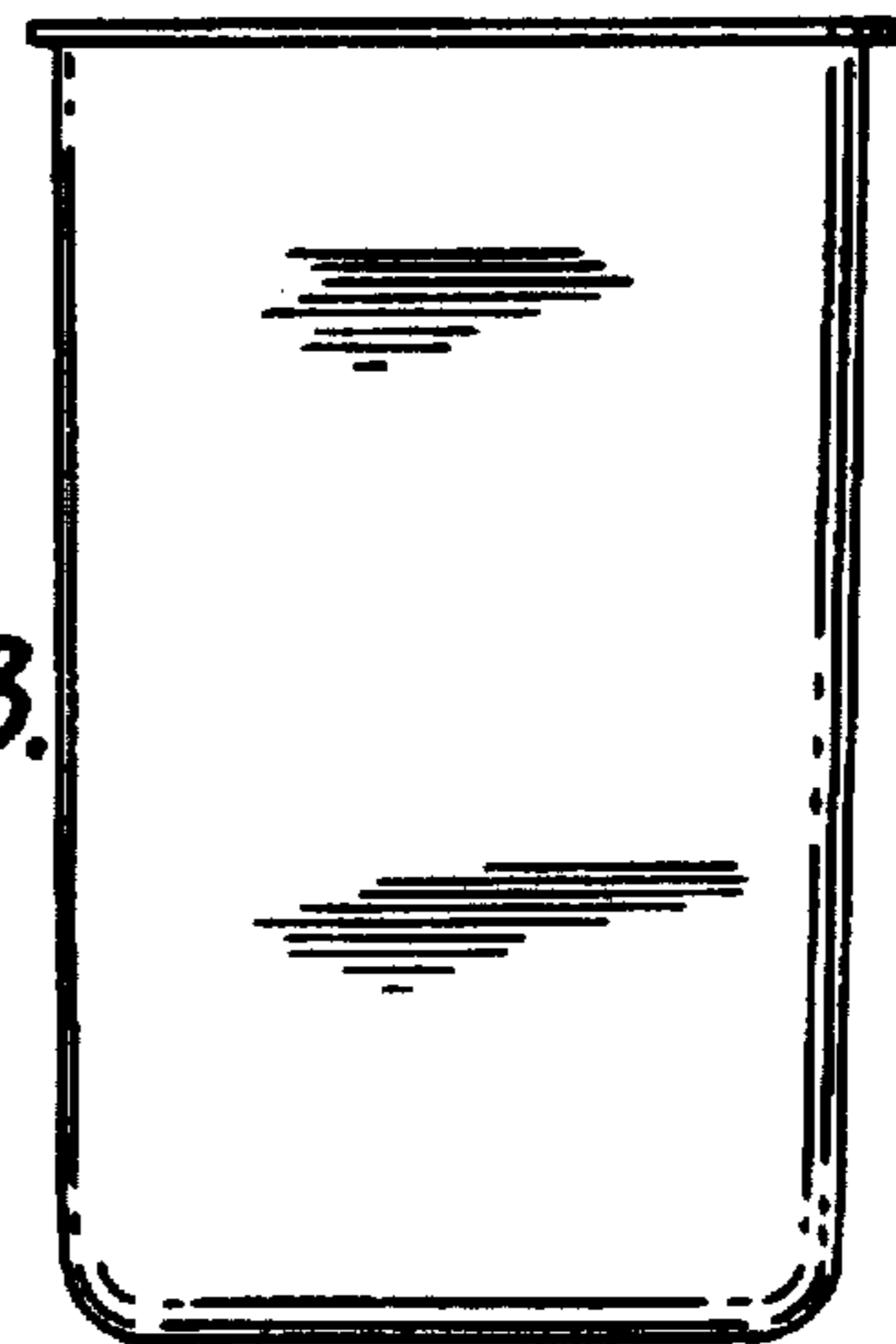


fig. 2.

FIG. 4.

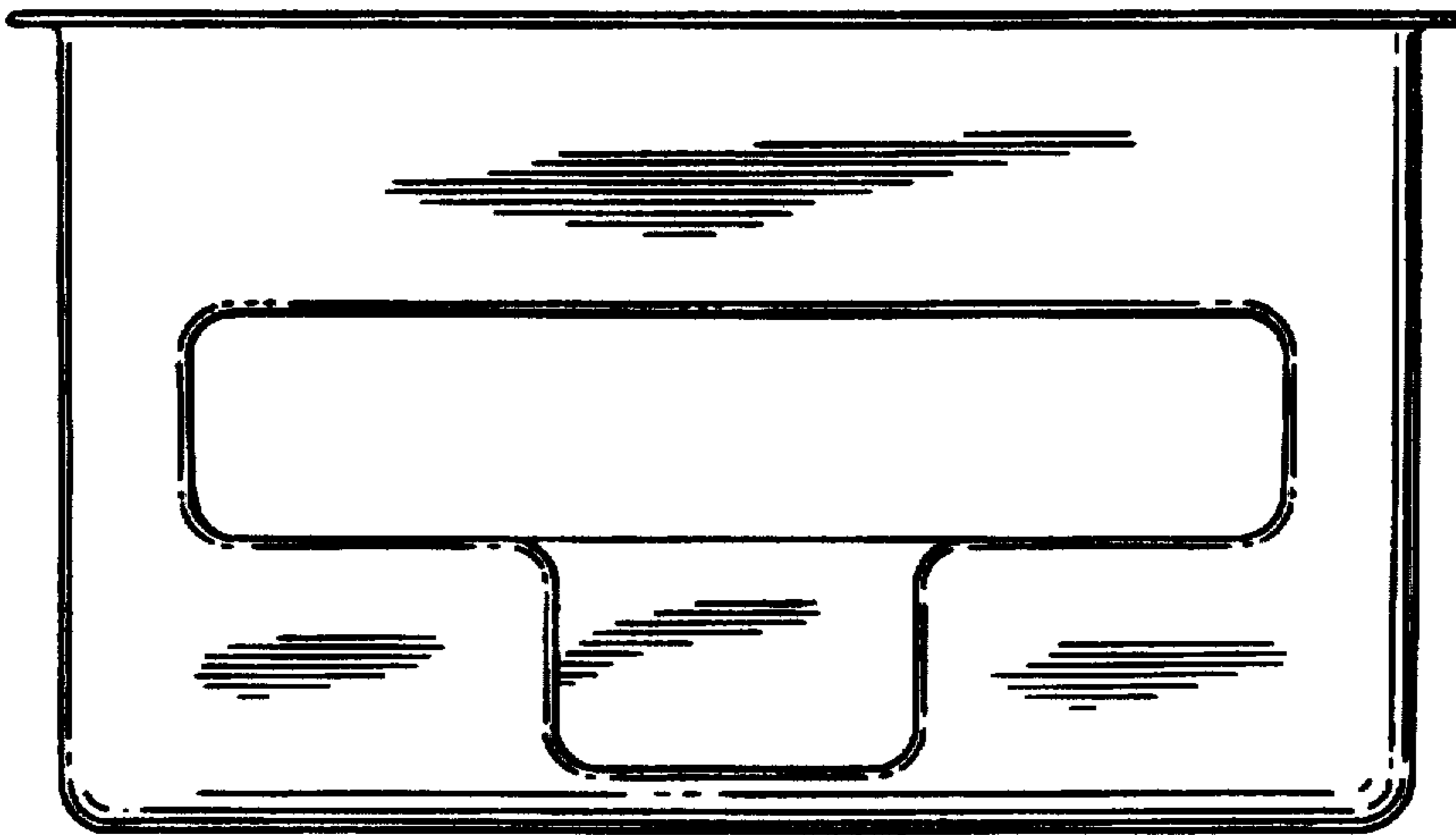
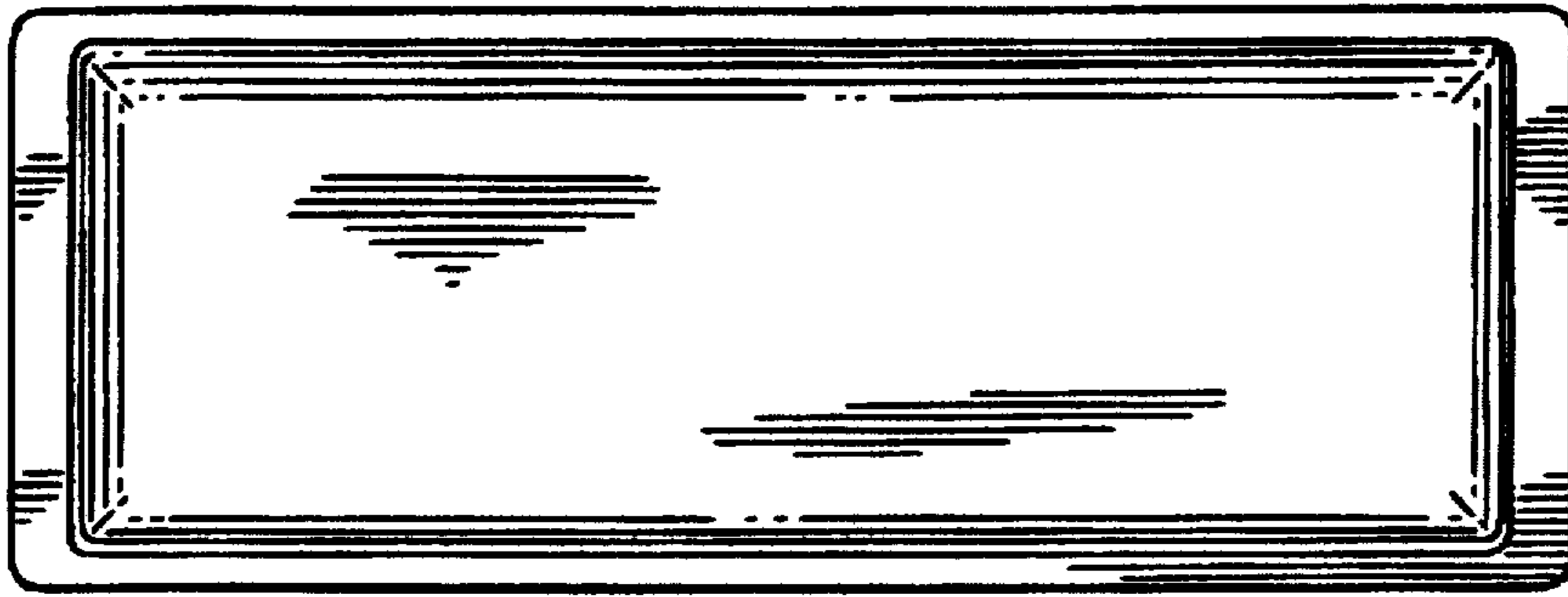


FIG. 5.

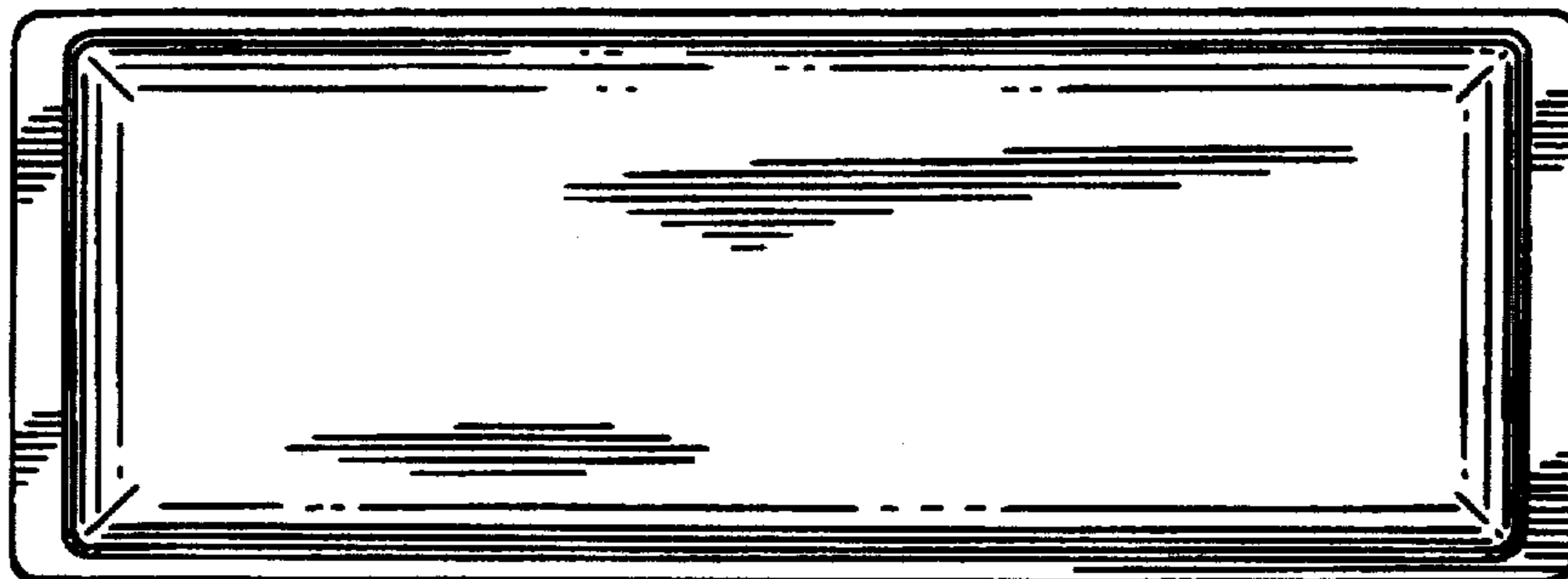


FIG. 6.