



US00D387978S

United States Patent [19]
McNally, Jr.

[11] **Patent Number: Des. 387,978**
[45] **Date of Patent: **Dec. 23, 1997**

[54] **TUBING CLAMP FOR STAINLESS STEEL**

[76] **Inventor: Phillip A. McNally, Jr., 6763 N. 85th Dr., Glendale, Ariz. 85305**

[**] **Term: 14 Years**

[21] **Appl. No.: 51,301**

[22] **Filed: Mar. 5, 1996**

[51] **LOC (6) Cl. 08-05**

[52] **U.S. Cl. D8/356**

[58] **Field of Search D8/356, 380; 248/62, 248/65, 68.1, 74.1-74.4; 211/59.4**

3,531,071	9/1970	Kubli	248/68.1
3,682,422	8/1972	Evans	248/68.1
4,030,540	6/1977	Roma	248/68.1 X
4,650,379	3/1987	Jaskolski	.	
5,060,810	10/1991	Jones	248/68.1
5,201,502	4/1993	Schneider	.	

Primary Examiner—Holly Baynham
Attorney, Agent, or Firm—H. Gordon Shields

[57] **CLAIM**

The ornamental design for tubing clamp for stainless steel, as shown and described.

DESCRIPTION

FIG. 1 is an upper front perspective view embodying my ornamental design;

FIG. 2 is a side view thereof;

FIG. 3 is a front view thereof;

FIG. 4 is a rear view thereof;

FIG. 5 is a top view thereof; and,

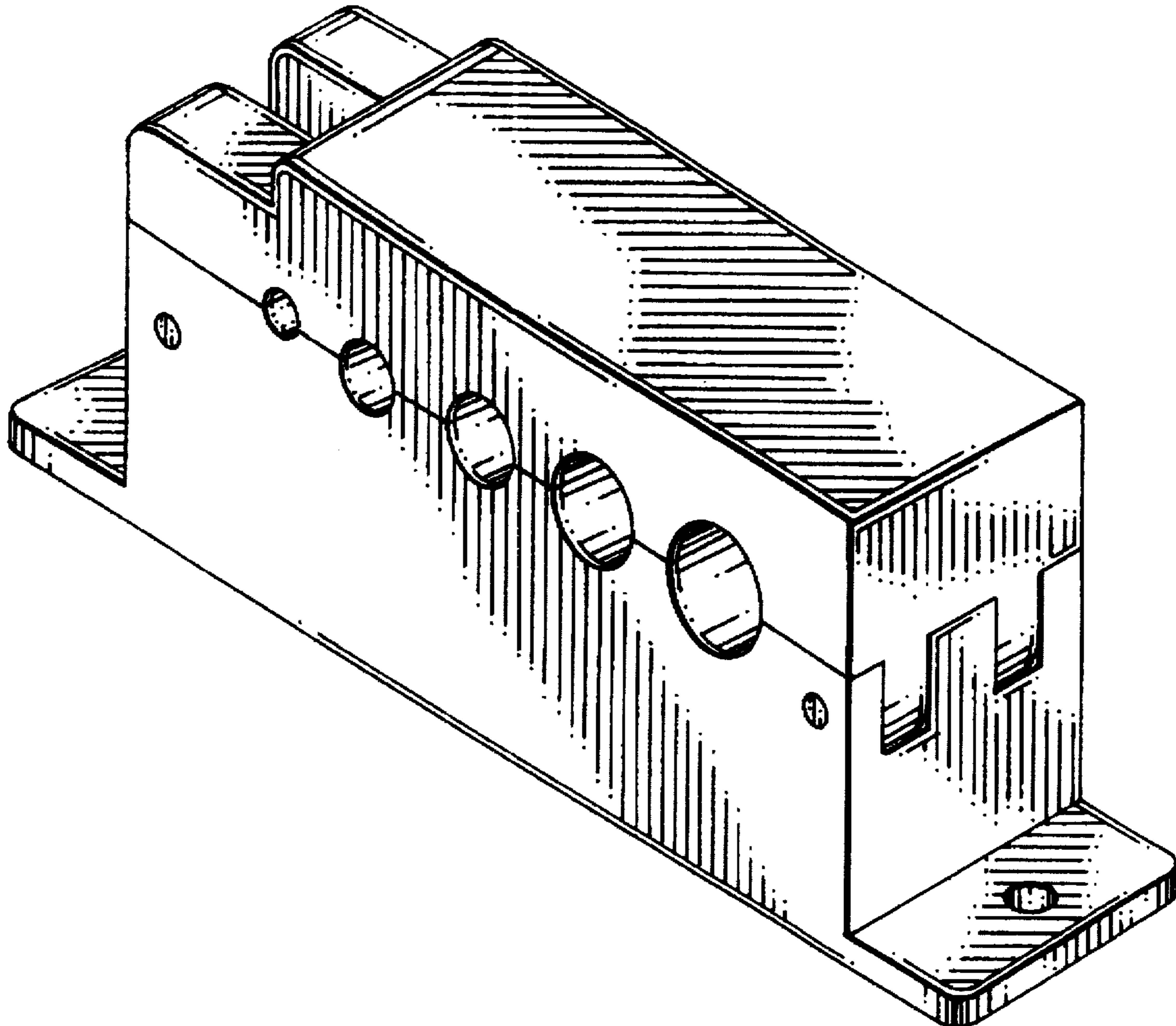
FIG. 6 is a bottom view thereof.

[56] **References Cited**

U.S. PATENT DOCUMENTS

D. 258,864	4/1981	Muller	D8/356
917,306	4/1909	Johnston	.	
934,463	9/1909	Ritter	248/68.1
952,787	3/1910	Crawford	.	
2,288,158	6/1942	Ellinwood	.	
2,438,989	4/1948	Billman	.	
2,581,978	1/1952	Spring	.	

1 Claim, 1 Drawing Sheet



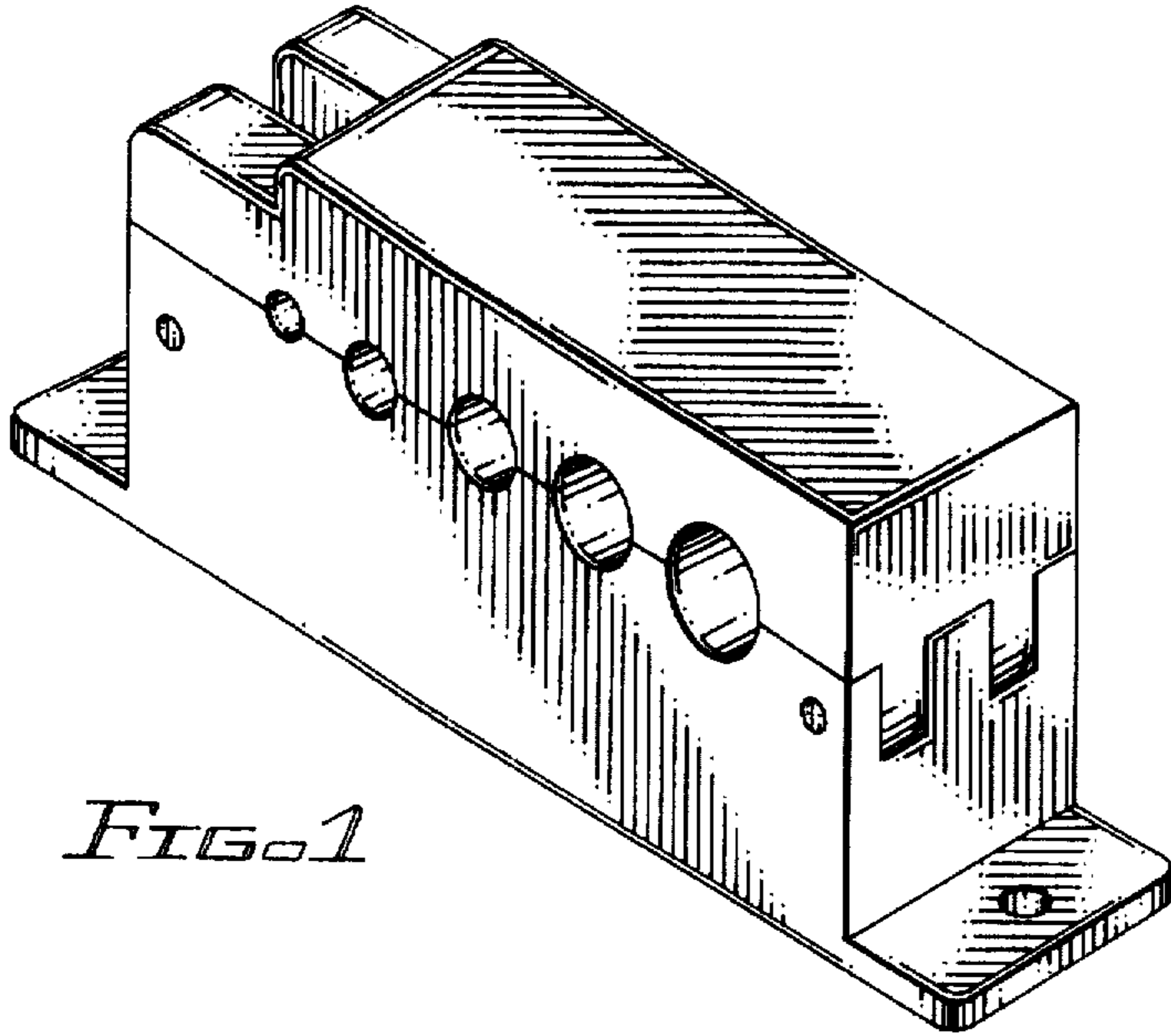


FIG. 1

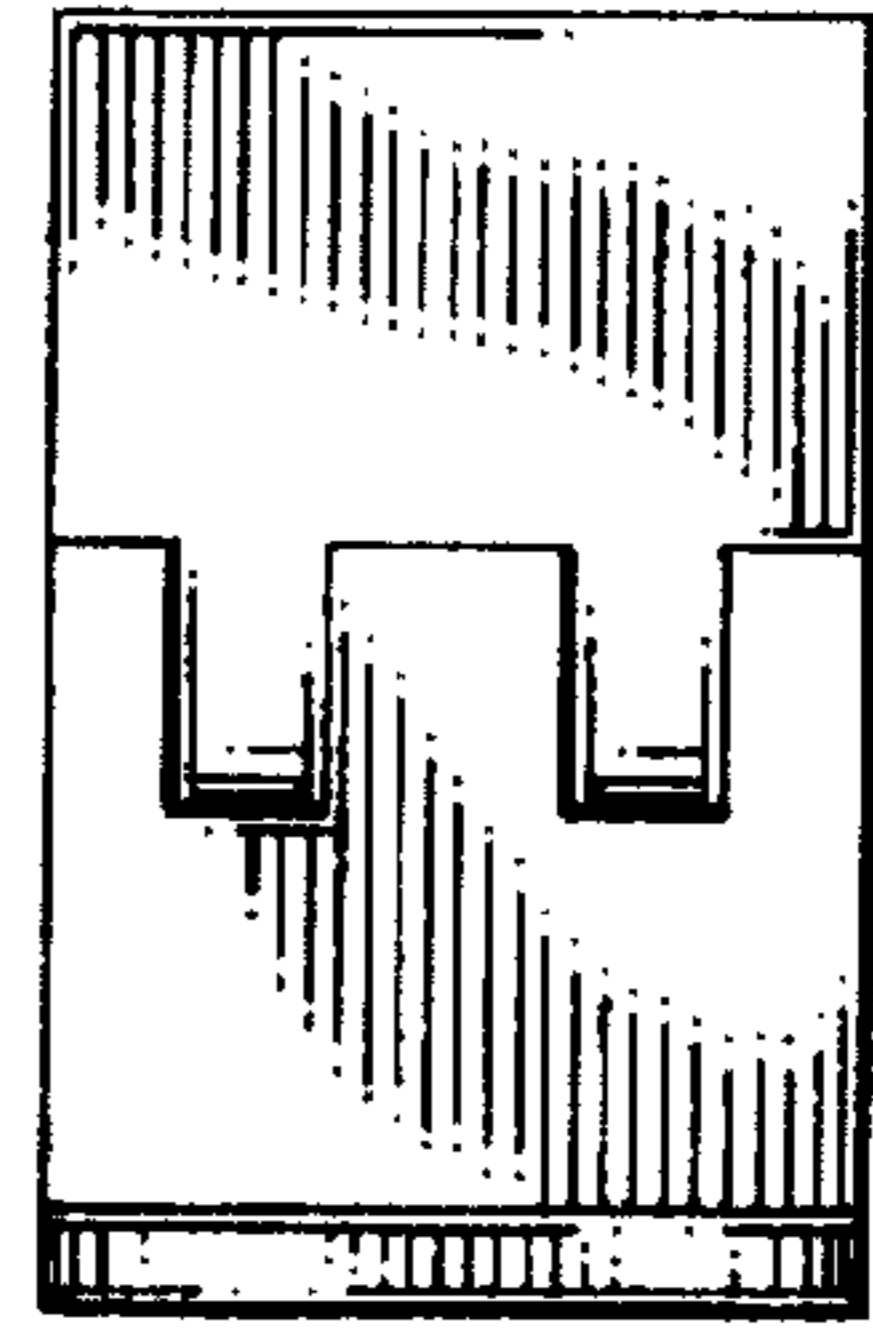


FIG. 4



FIG. 3

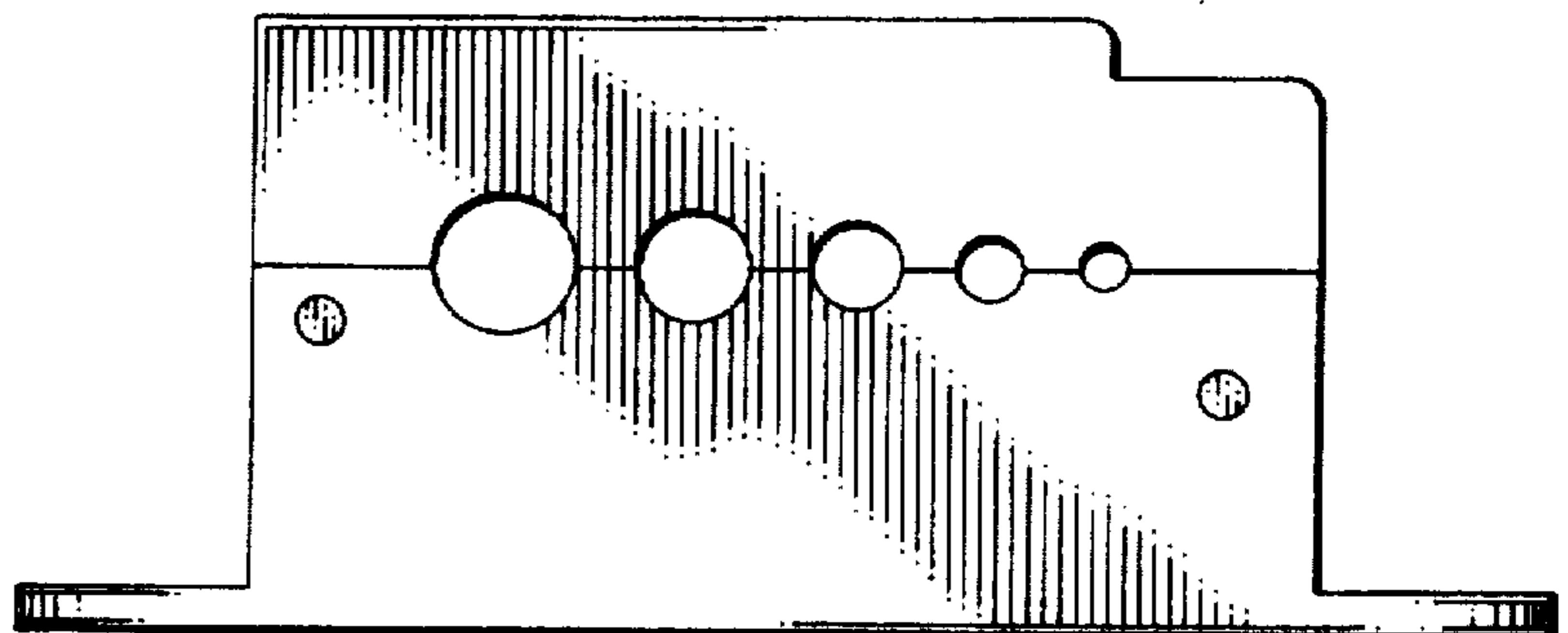


FIG. 2

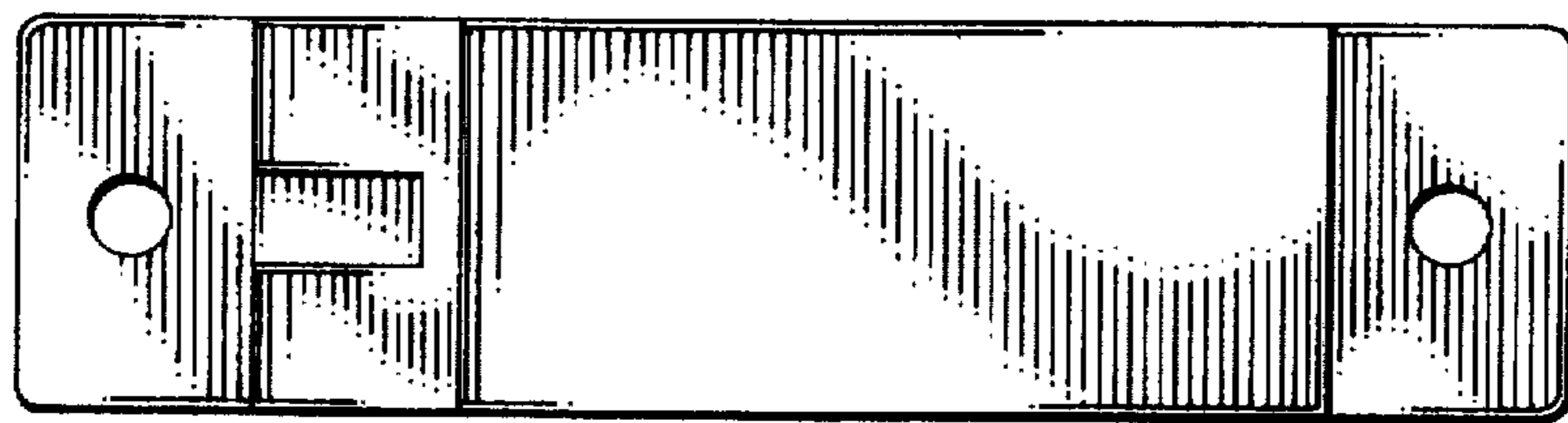


FIG. 5

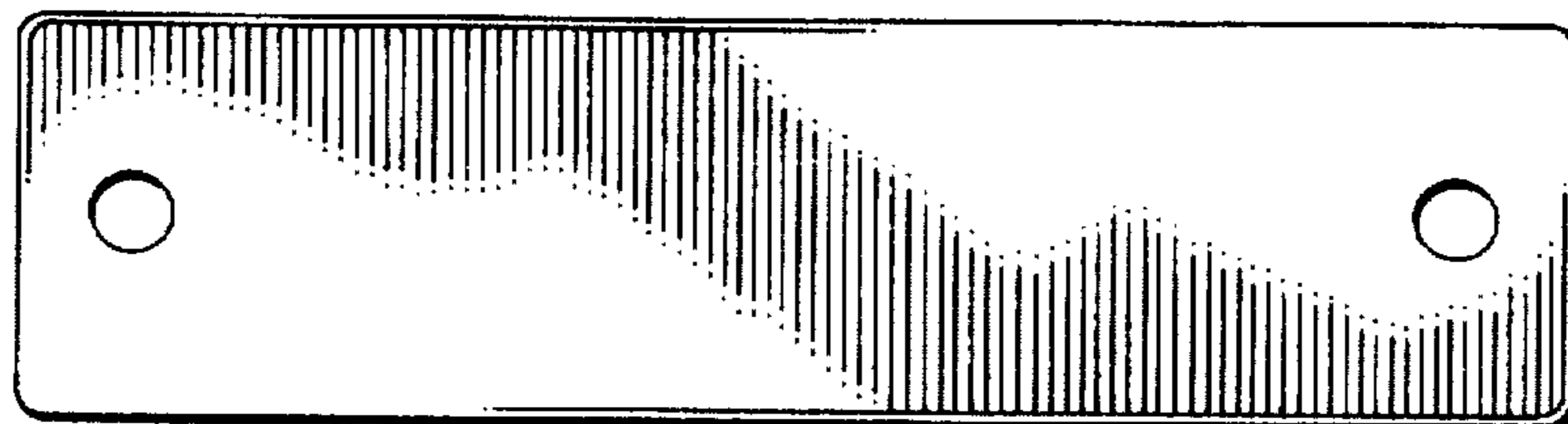


FIG. 6