



US00D387977S

United States Patent [19] Källgren

[11] Patent Number: **Des. 387,977**
[45] Date of Patent: ****Dec. 23, 1997**

[54] **BLISTER PACK**
[75] Inventor: **Eva Källgren, Hägersten, Sweden**
[73] Assignee: **Astra Aktiebolag, Sodertalje, Sweden**
[**] Term: **14 Years**
[21] Appl. No.: **47,993**
[22] Filed: **Dec. 18, 1995**
[30] **Foreign Application Priority Data**
Jun. 30, 1995 [SE] Sweden 95-1315
[51] **LOC (6) Cl. 09-03**
[52] **U.S. Cl. D9/348; D9/345**
[58] **Field of Search D9/339, 341, 346-348,**
D9/433; 206/469, 528-532, 538-539, 820,
828

4,340,141 7/1982 Fischer 206/531
5,109,984 5/1992 Romick 206/532 X

FOREIGN PATENT DOCUMENTS

2250978 6/1992 United Kingdom .

Primary Examiner—Sandra L. Morris
Assistant Examiner—Nanda Bondade
Attorney, Agent, or Firm—White & Case

[57] CLAIM

The ornamental design for a blister pack, as shown and described.

DESCRIPTION

FIG. 1 is a top perspective view of a blister pack showing my new design;
FIG. 2 is a bottom perspective view thereof;
FIG. 3 is a side elevational view thereof, shown in a folded position;
FIG. 4 is a top perspective view of an alternate embodiment of FIG. 1;
FIG. 5 is a bottom perspective view of FIG. 4; and
FIG. 6 is a side elevational view of FIG. 4, shown in a folded position.
The broken lines shown on FIGS. 1, 2, 4, and 5 represent break lines.

[56] References Cited

U.S. PATENT DOCUMENTS

D. 262,190 12/1981 Stanton D9/415
D. 320,930 10/1991 Richards D9/345
D. 359,900 7/1995 Hawthorne D9/415 X
3,033,355 5/1962 Van Sickle 206/539
3,126,129 3/1964 Weinberg 206/539 X
3,743,084 7/1973 Douglas 206/42
4,231,477 11/1980 De Felice 206/469 X

1 Claim, 3 Drawing Sheets

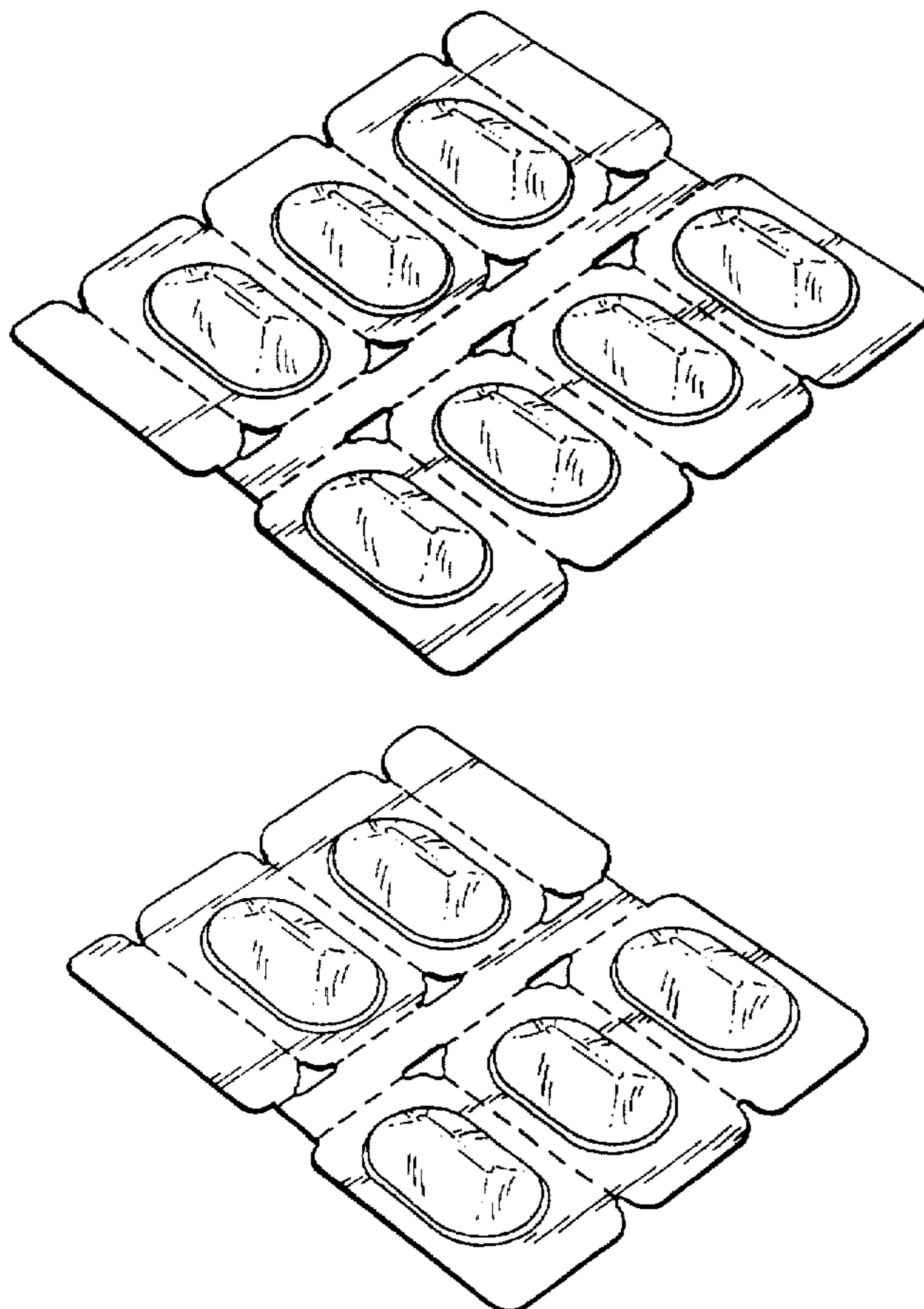


FIG.1



FIG.2

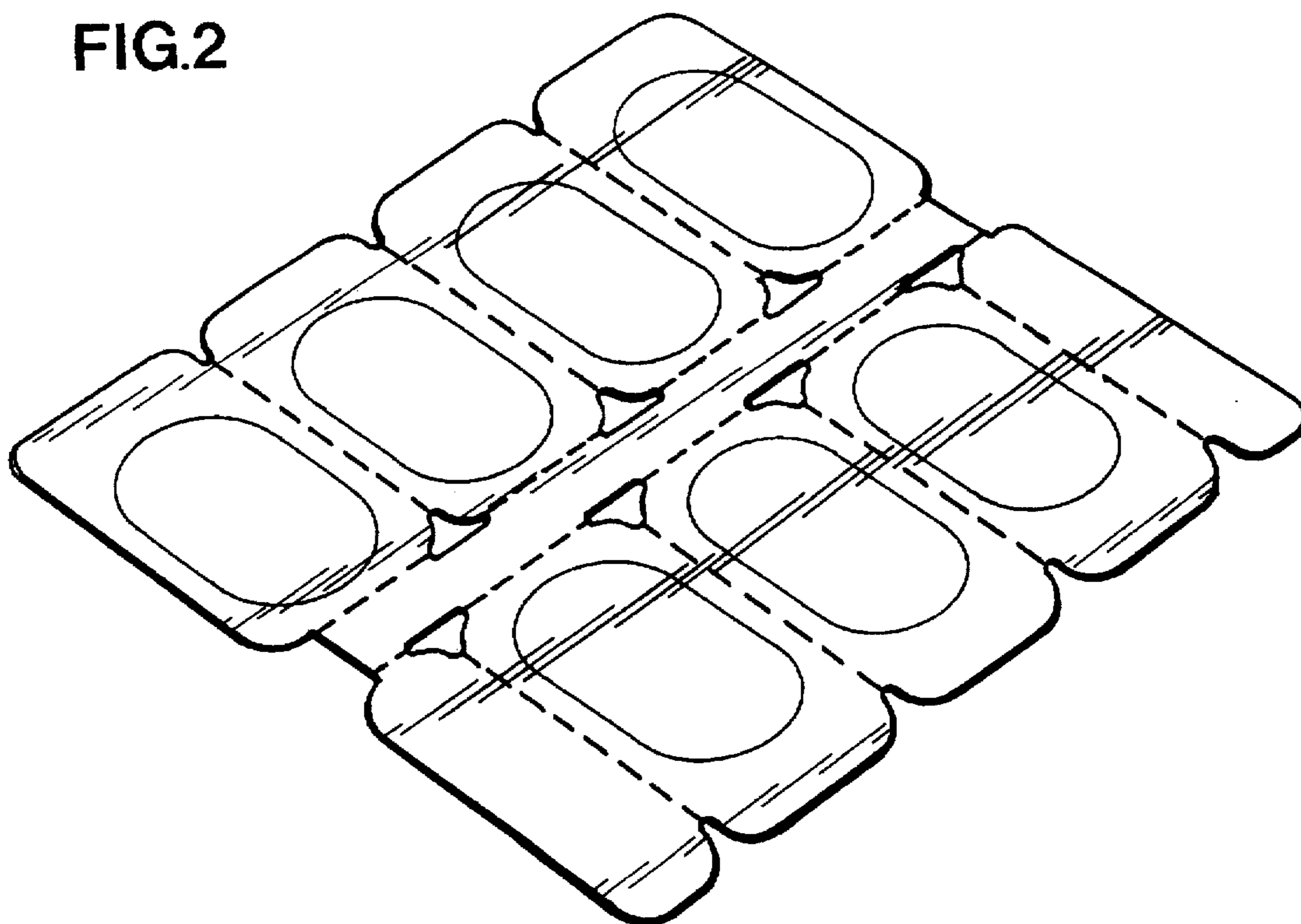


FIG. 3

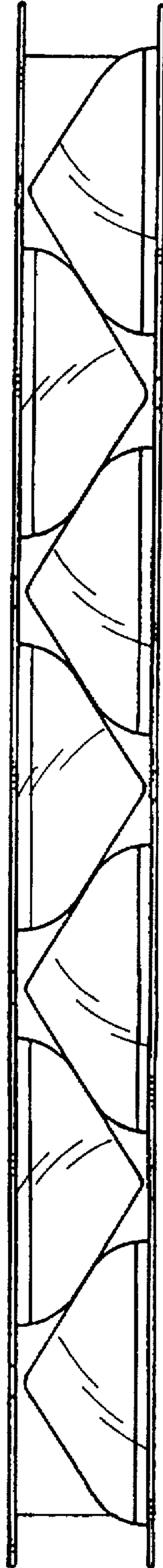


FIG. 6



FIG.4

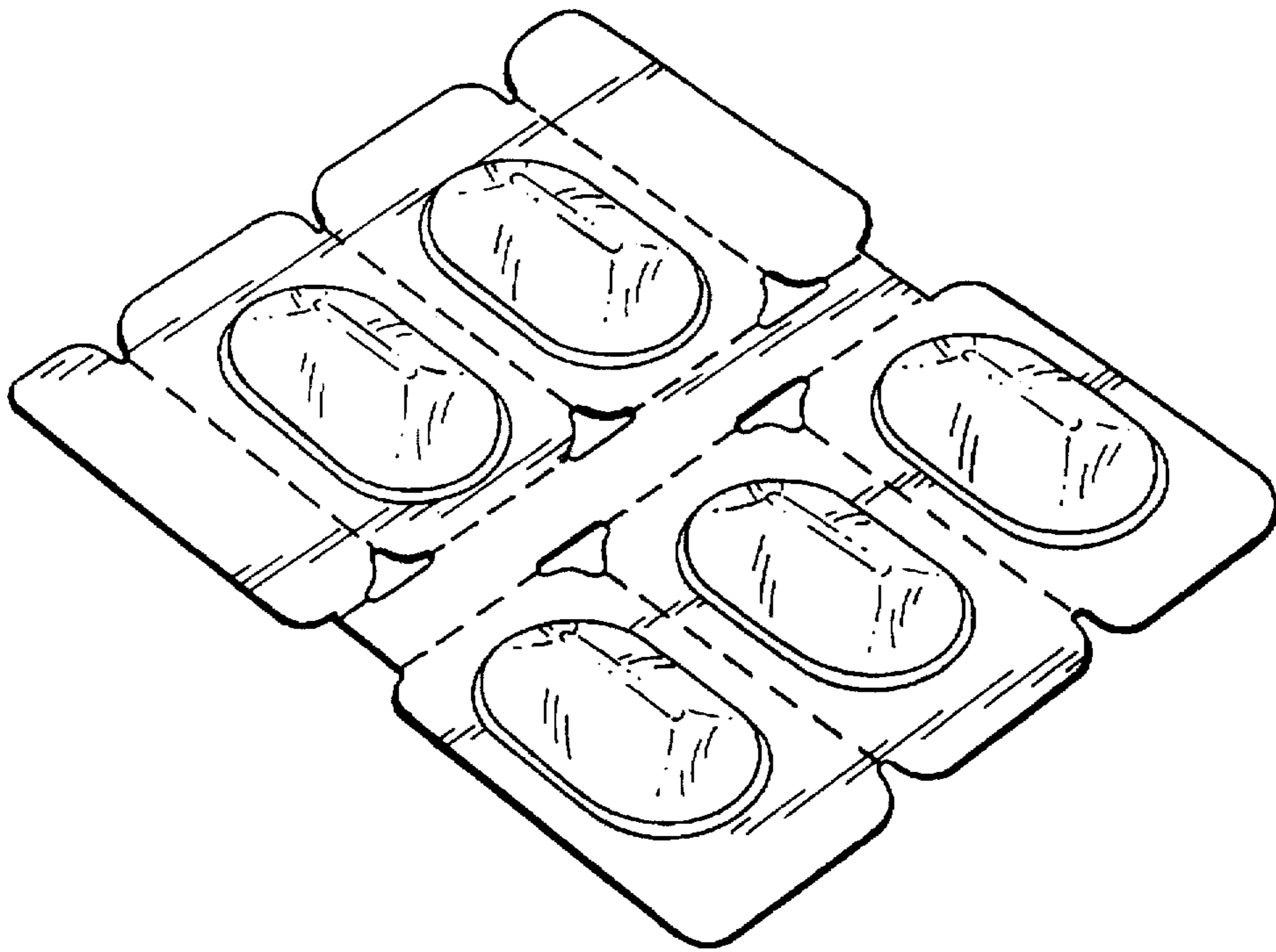


FIG 5

