



US00D387973S

United States Patent [19]

[11] Patent Number: **Des. 387,973**

Layman

[45] Date of Patent: ****Dec. 23, 1997**

[54] **OUTDOOR SHOWER DOOR SLIDER**

[76] Inventor: **Charles H. Layman**, 98 Sailfish Dr., East Falmouth, Mass. 02536

[**] Term: **14 Years**

[21] Appl. No.: **40,188**

[22] Filed: **Jun. 12, 1995**

[51] LOC (6) Cl. **08-05**

[52] U.S. Cl. **D8/377; D8/400**

[58] Field of Search **D8/400, 499, 377; D25/48; D34/23; 16/87 R, 80, 91, 84 R, 85 R, 86 R, 87-95, 102, 106, 107; 49/409-411**

[56] **References Cited**

U.S. PATENT DOCUMENTS

D. 266,614	10/1982	Neville	D8/377 X
350,751	10/1886	Lane	16/91
928,137	7/1909	Lewis	16/105
2,567,763	9/1951	Clark	49/409 X
2,937,398	5/1960	Latham	16/95 R
3,628,588	12/1971	Dixon	16/95 R X
3,975,862	8/1976	Doan	49/409
4,031,664	6/1977	Wendt	49/409
4,846,249	7/1989	Cooper et al.	16/102 X
5,402,979	4/1995	Bellamy	248/322 X

Primary Examiner—Ted Shooman

Assistant Examiner—C. Tuttle

Attorney, Agent, or Firm—Thomas A. Kahrl, Esq.

[57] **CLAIM**

The ornamental design for an outdoor shower door slider, as shown and described.

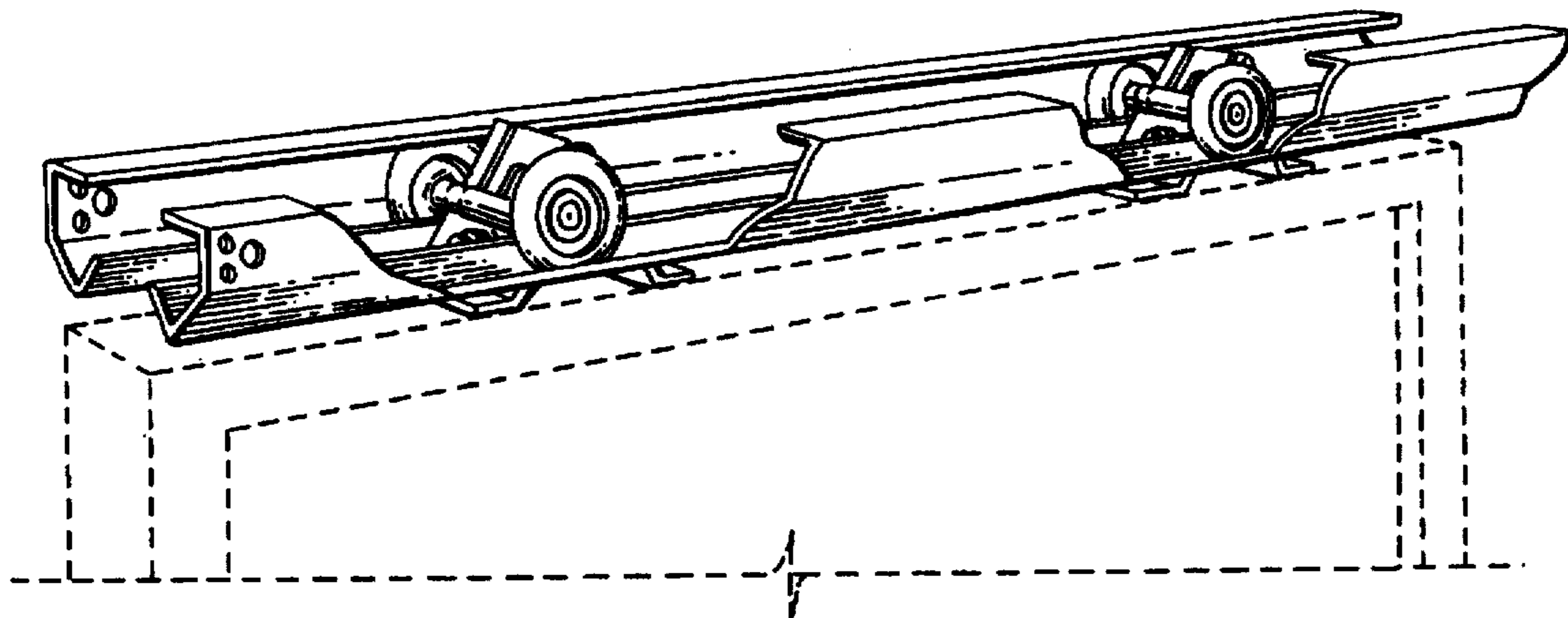
DESCRIPTION

FIG. 1 is a top perspective view of an outdoor shower door slider showing my new design in its environment, portions of the track being broken away for clarity of illustration; FIG. 2 is a fragmentary exploded perspective view thereof, one of the rollers being omitted for ease of illustration; FIG. 3 is a top view of the roller element, shown separately for completeness of disclosure; FIG. 4 is a right elevational view thereof the left side being a mirror image thereof; FIG. 5 is a rear elevational view thereof; FIG. 6 is a front plan view thereof; and, FIG. 7 is a bottom elevational view thereof.

The broken line showing of the shower door in FIG. 1 is for illustrative purposes only and forms no part of the claimed design.

The track element is shown partially broken away to indicate indeterminate length, its undisclosed end being identical to the end shown in FIGS. 1 and 2.

1 Claim, 2 Drawing Sheets



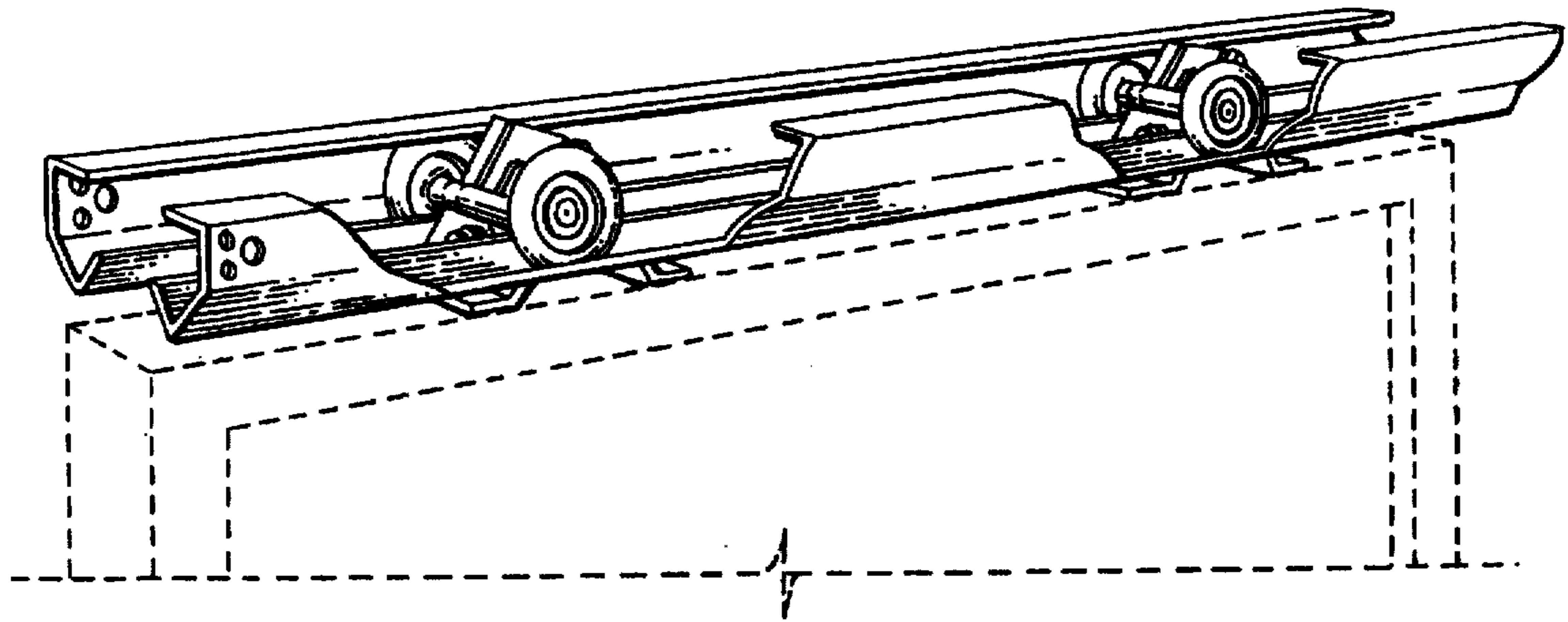


FIG. 1

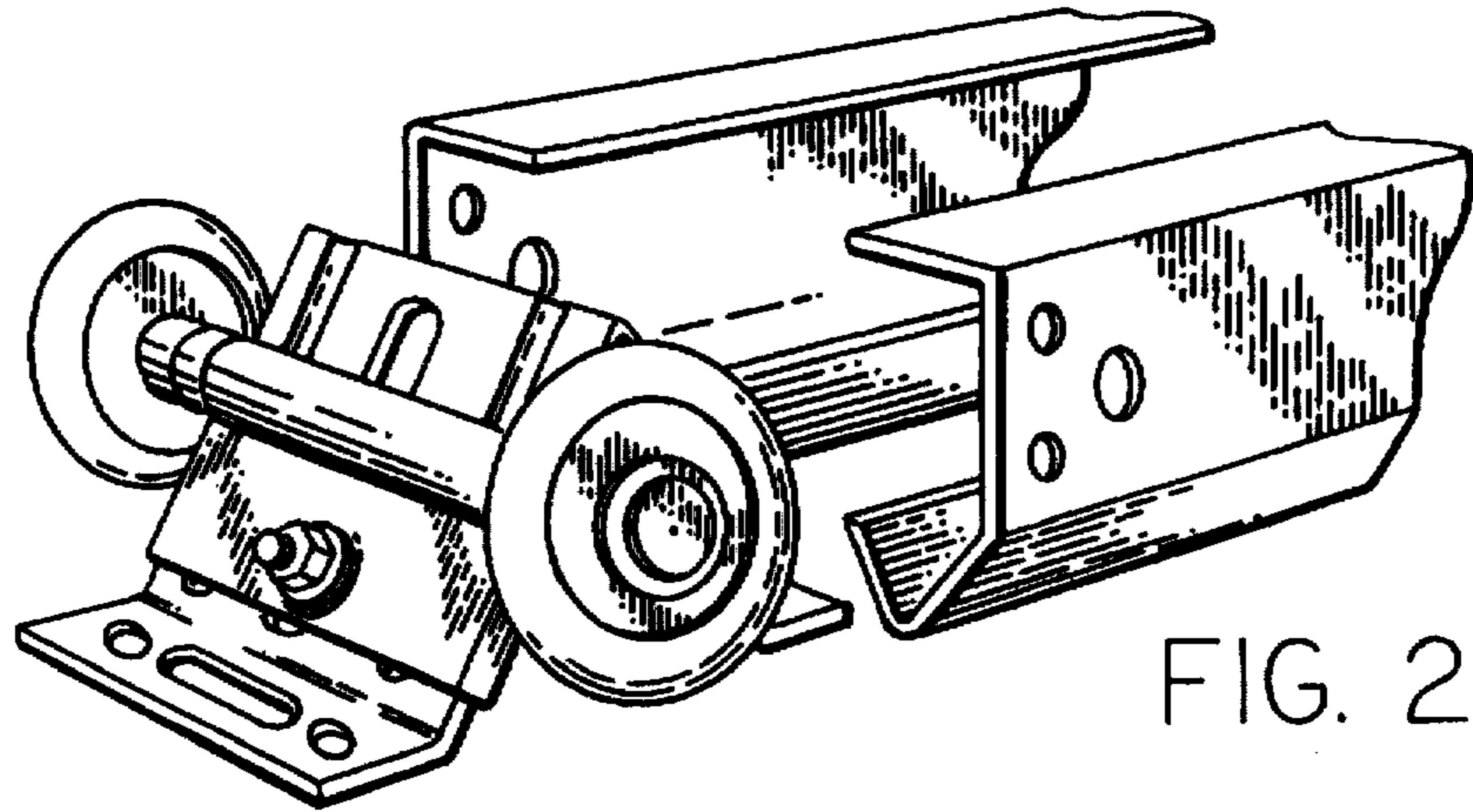


FIG. 2

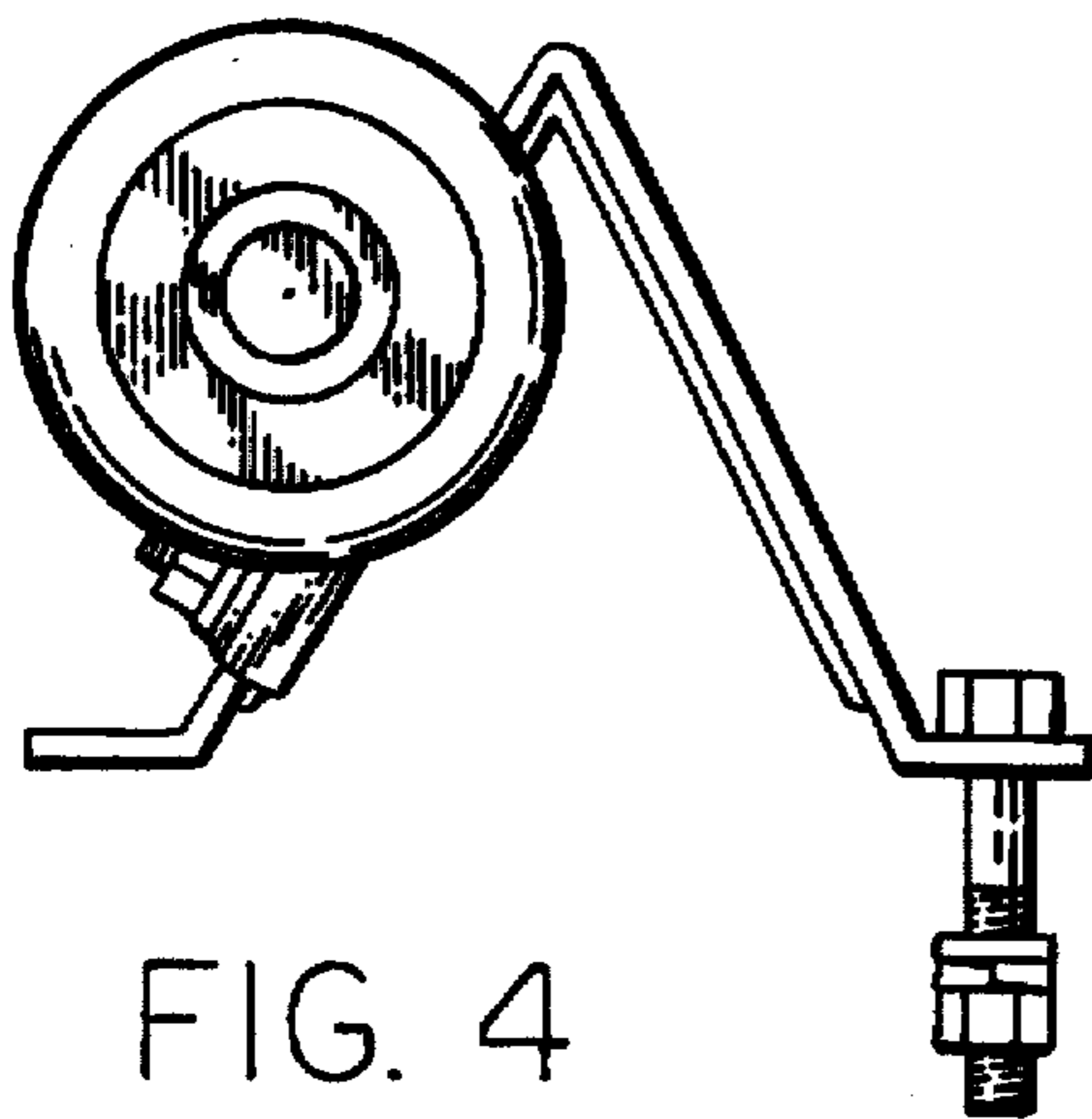


FIG. 4

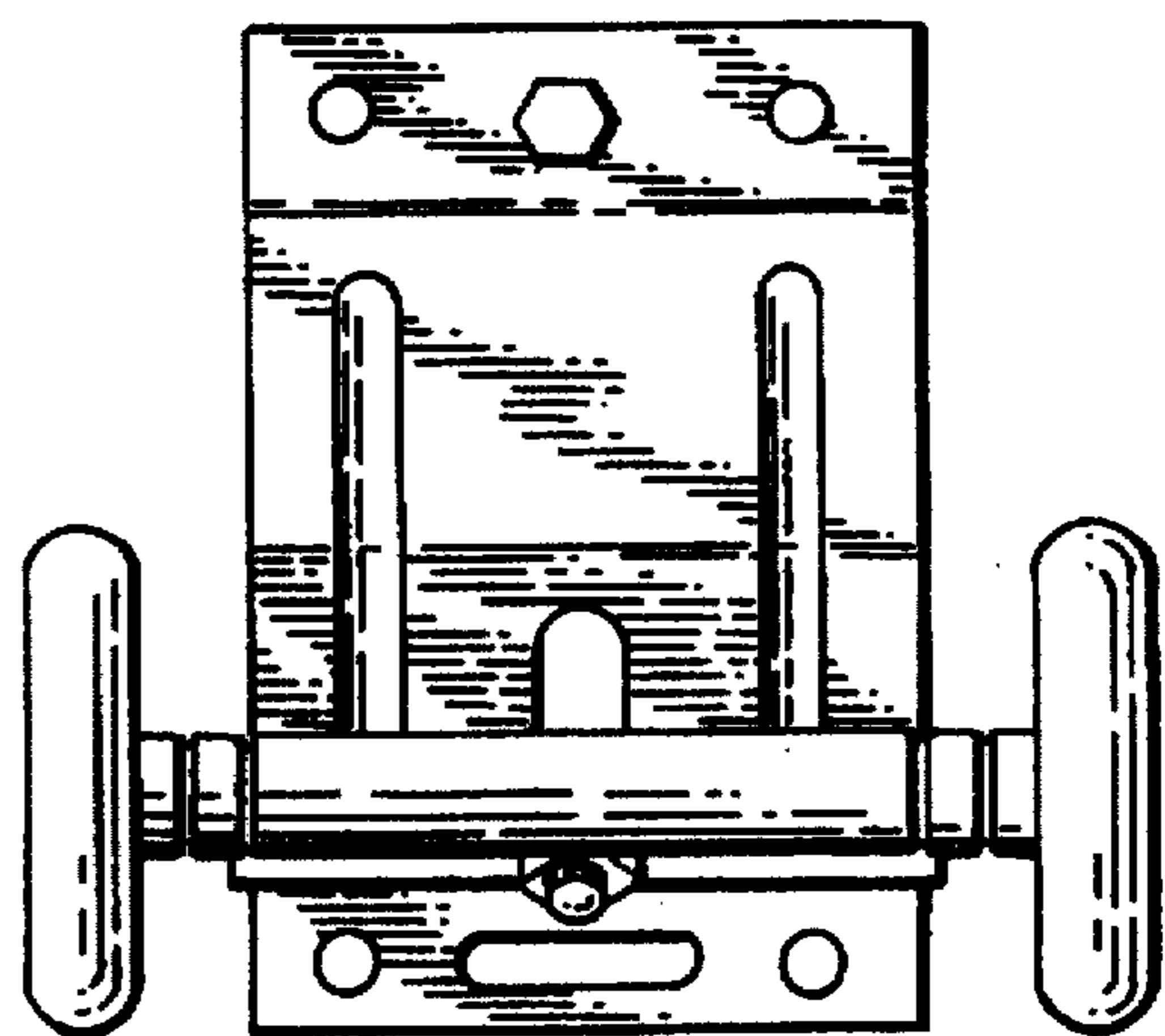


FIG. 3

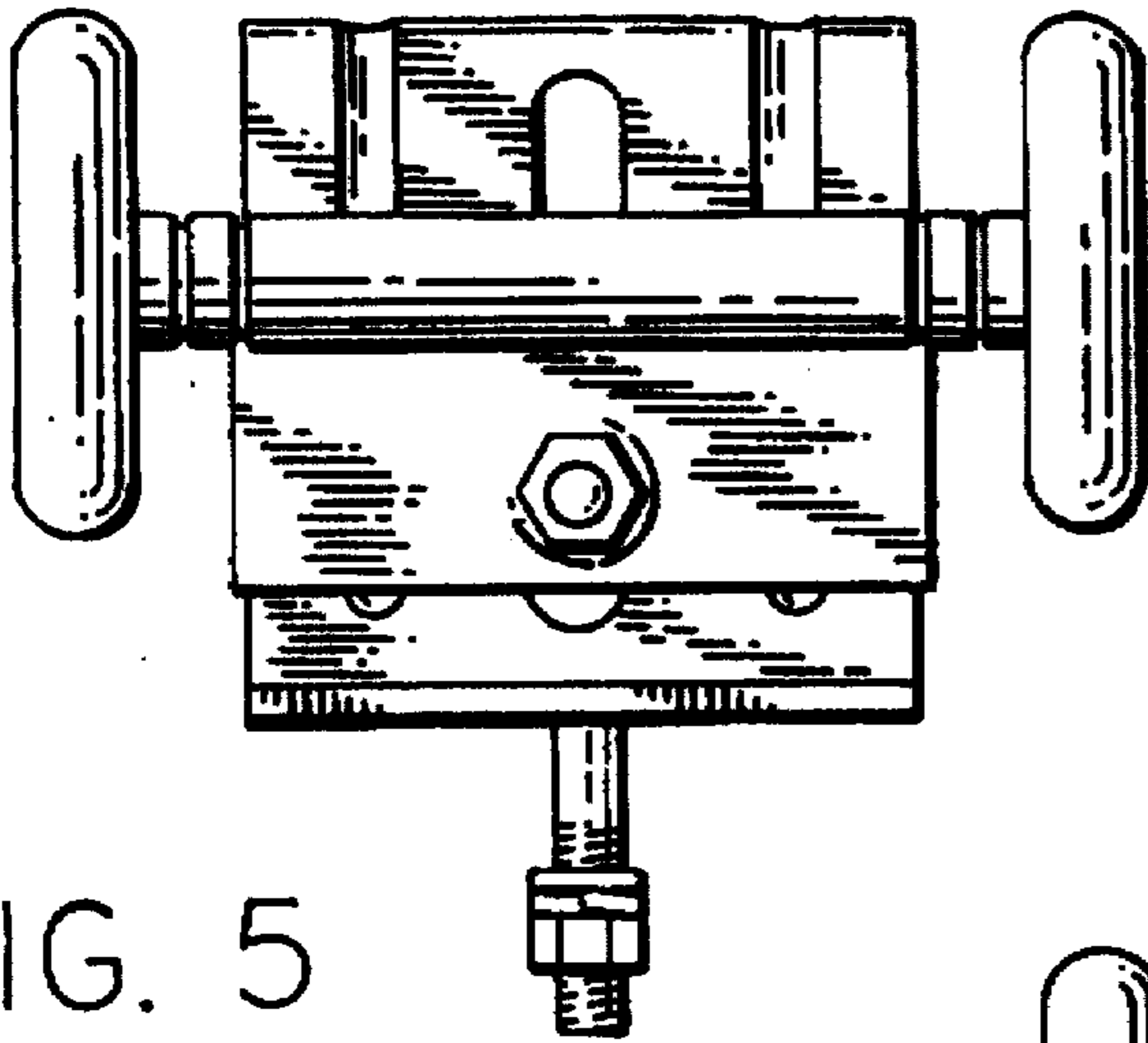


FIG. 5

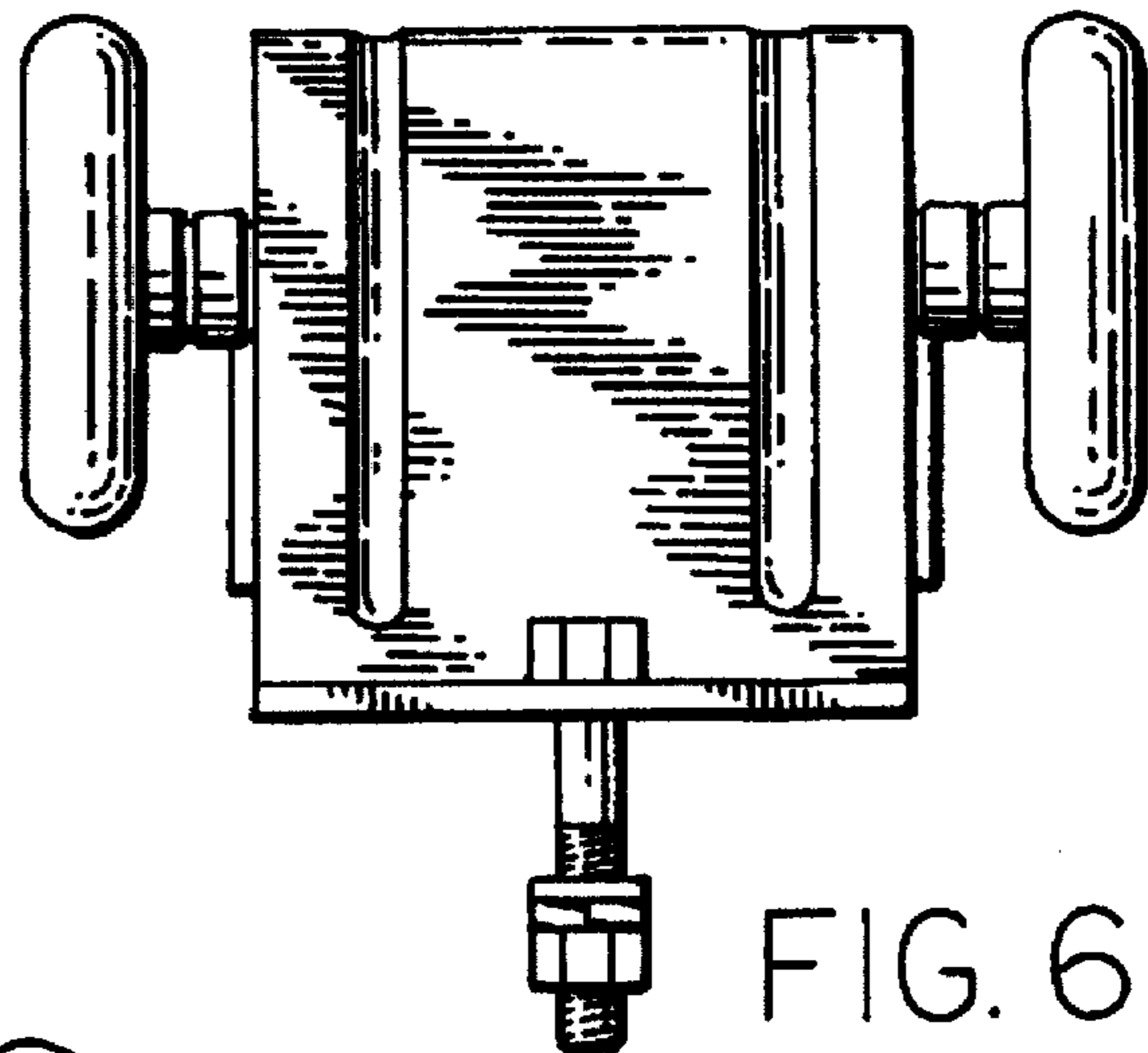


FIG. 6

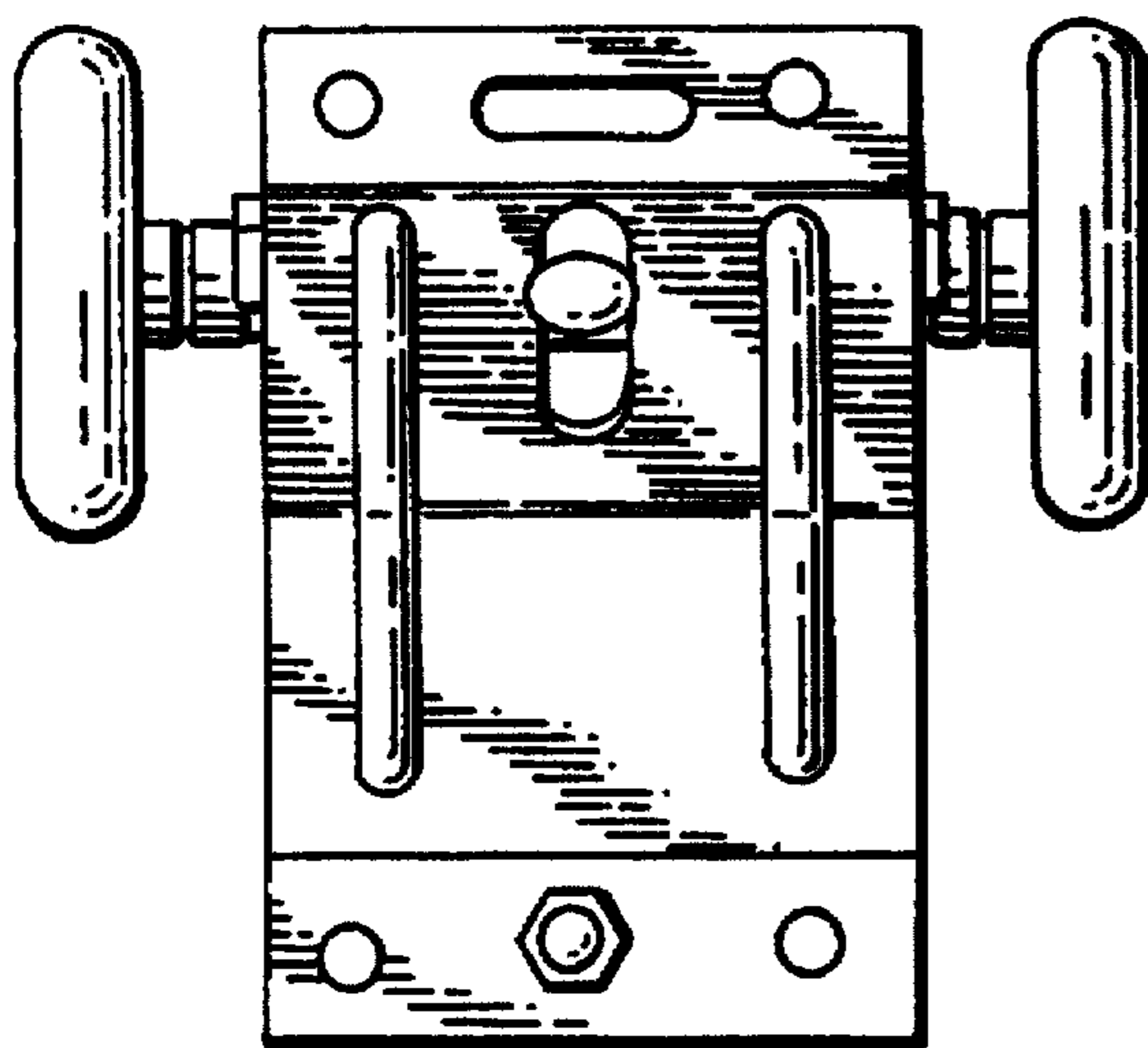


FIG. 7