



US00D387972S

**United States Patent** [19]  
**Hernandez**

[11] **Patent Number:** **Des. 387,972**  
[45] **Date of Patent:** **\*\*Dec. 23, 1997**

[54] **TAKE UP REEL FOR VENETIAN BLIND CORDS**

4,750,684 6/1988 Morimoto ..... 242/310  
5,381,981 1/1995 Nelson ..... 242/613.1 X

[76] **Inventor:** **Santo Hernandez**, 601 Morris Ave.,  
Apt. 1J, Bronx, N.Y. 10451

*Primary Examiner*—James Gandy  
*Assistant Examiner*—Linda Brooks  
*Attorney, Agent, or Firm*—Harold H. Dutton, Jr.; Diane F. Liebman

[\*\*] **Term:** **14 Years**

[21] **Appl. No.:** **42,249**

[57] **CLAIM**

[22] **Filed:** **Aug. 4, 1995**

The ornamental design for a take up reel for venetian blind cords, as shown.

[51] **LOC (6) Cl.** ..... **08-05**

[52] **U.S. Cl.** ..... **D8/359; D6/580**

[58] **Field of Search** ..... **D8/359, 310, 322;**  
**242/398, 18 R, 613.1, 118.4; 43/20; D6/580;**  
**D22/141**

**DESCRIPTION**

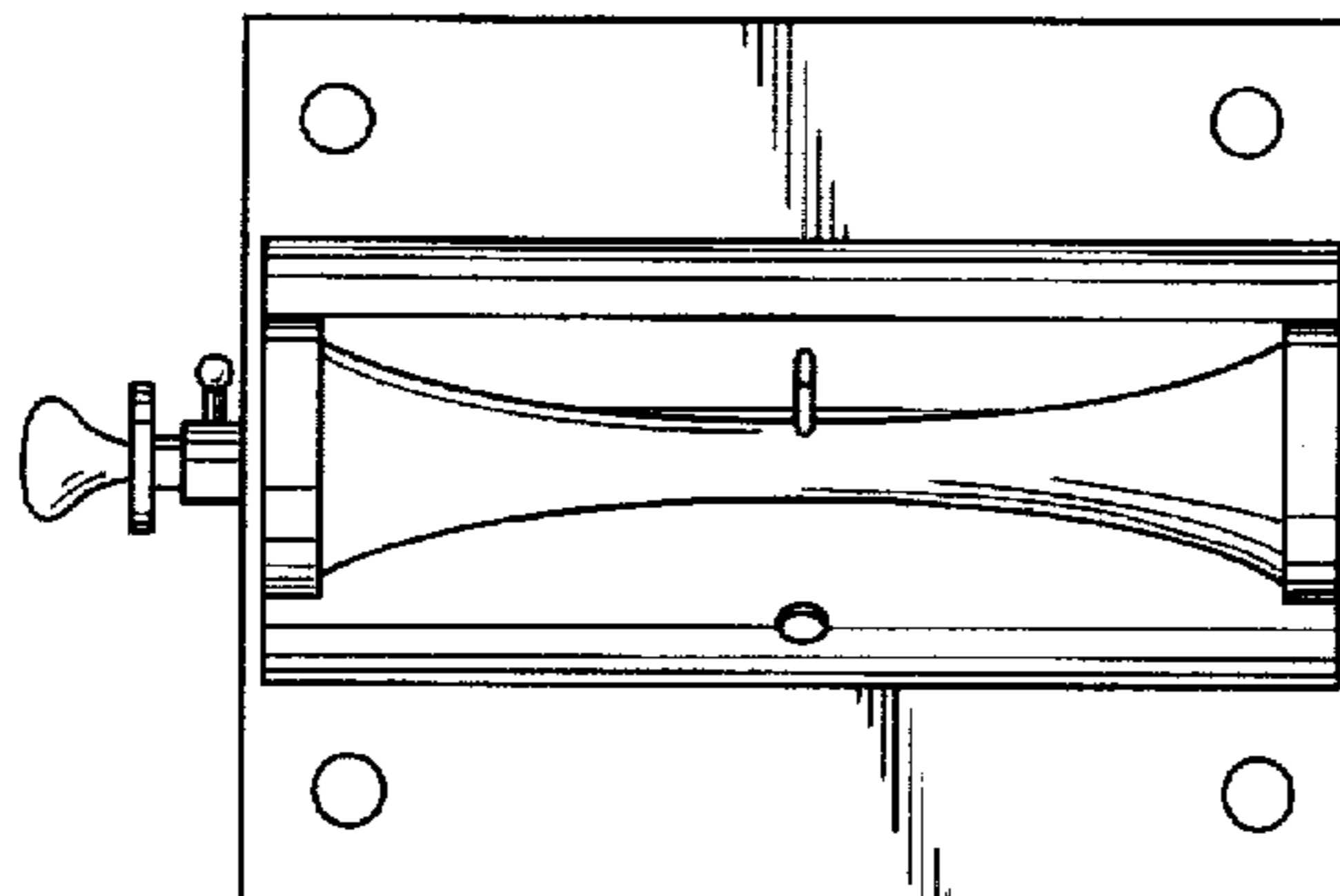
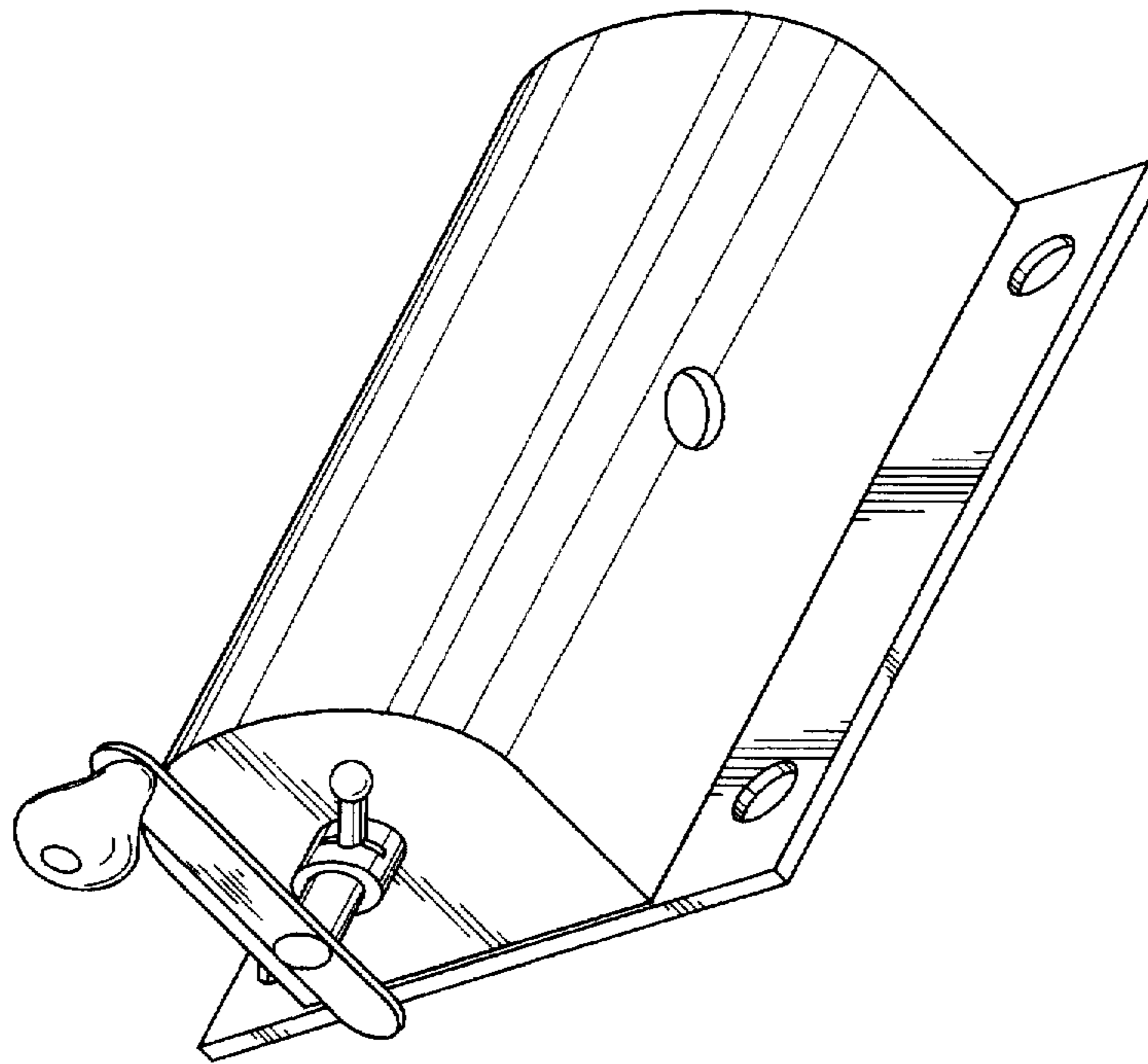
FIG. 1 is a left side perspective view of a take up reel for venetian blind cords showing my new design;  
FIG. 2 is a left side view thereof shown in reduced scale;  
FIG. 3 is a right side view thereof;  
FIG. 4 is a front view thereof;  
FIG. 5 is a rear view thereof;  
FIG. 6 is a top view thereof; and,  
FIG. 7 is a bottom view thereof.

[56] **References Cited**

**U.S. PATENT DOCUMENTS**

D. 186,898 12/1959 Uebelhoer ..... D8/359  
D. 330,506 10/1992 Clivio ..... D8/359  
2,643,131 6/1953 King ..... 242/310 X  
2,669,399 2/1954 Wood ..... 242/322 X

**1 Claim, 4 Drawing Sheets**



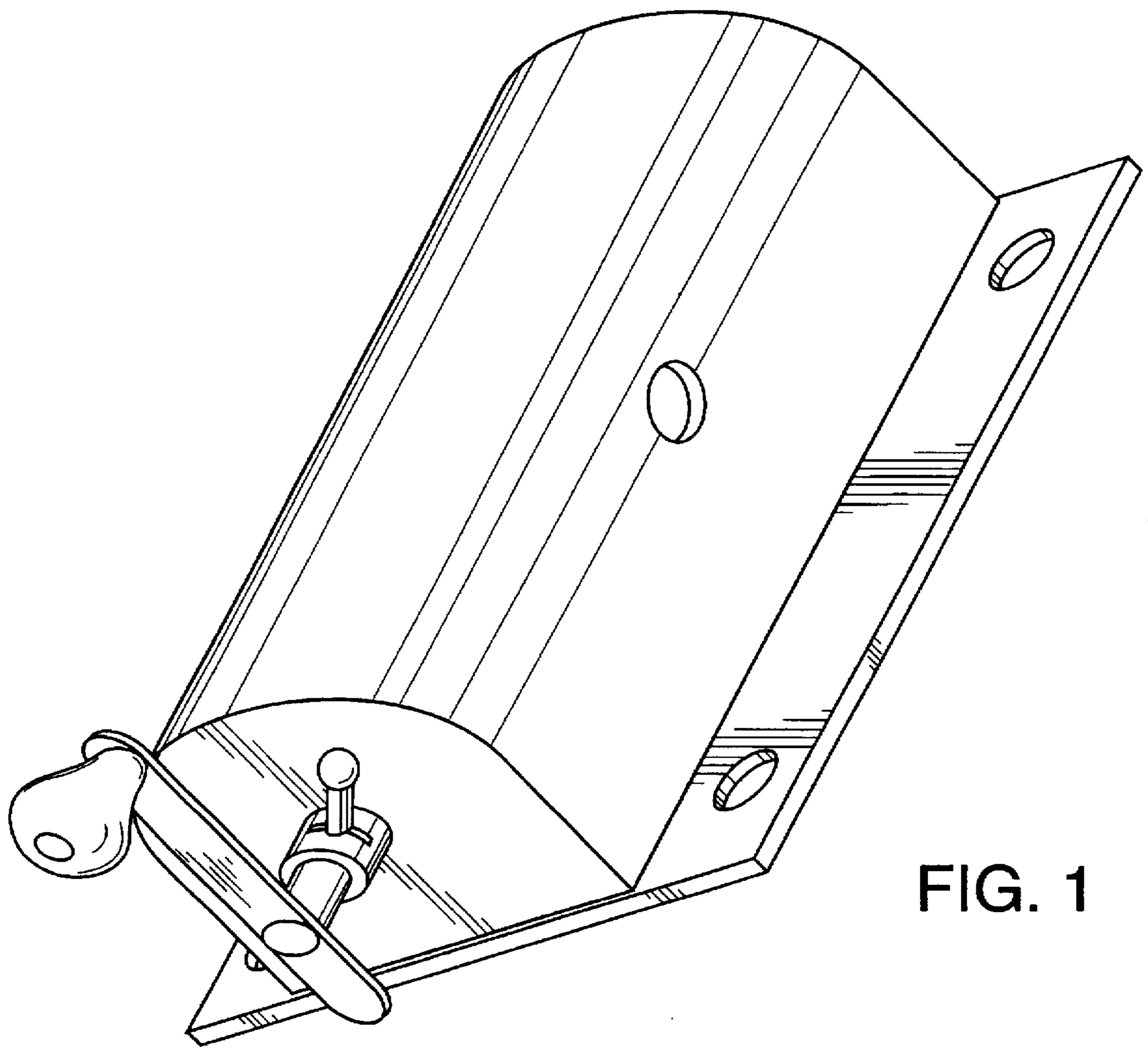


FIG. 1

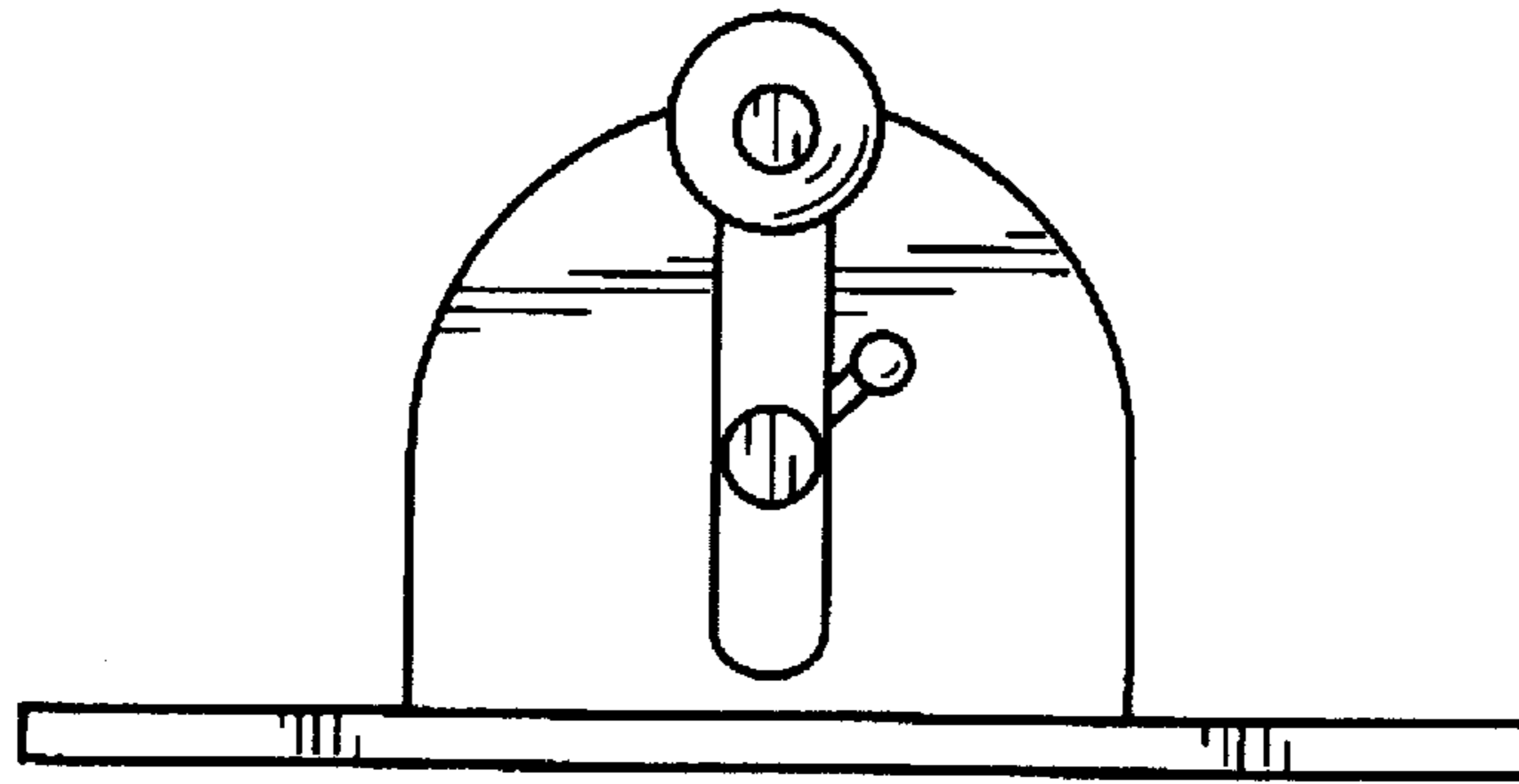


FIG. 2

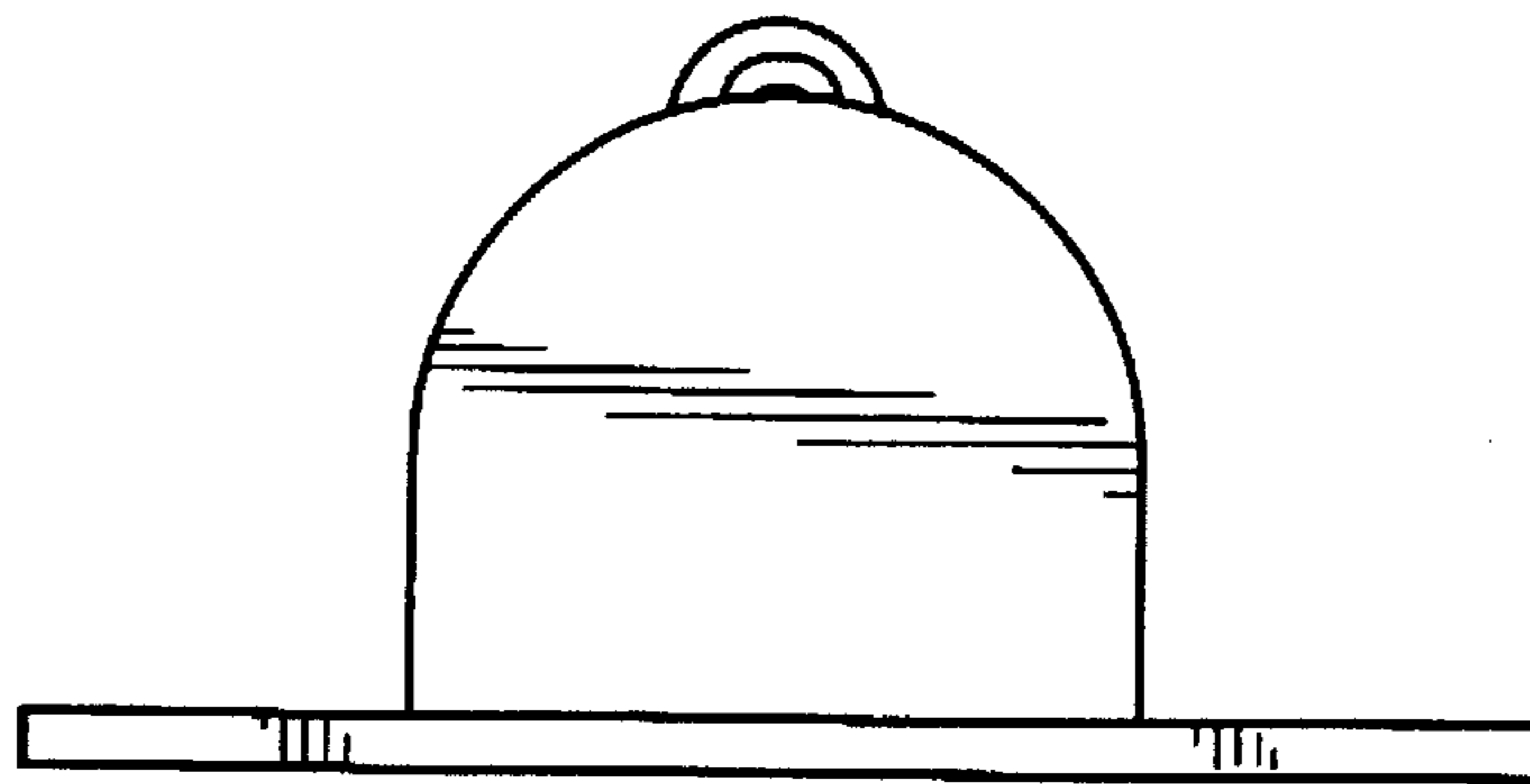


FIG. 3

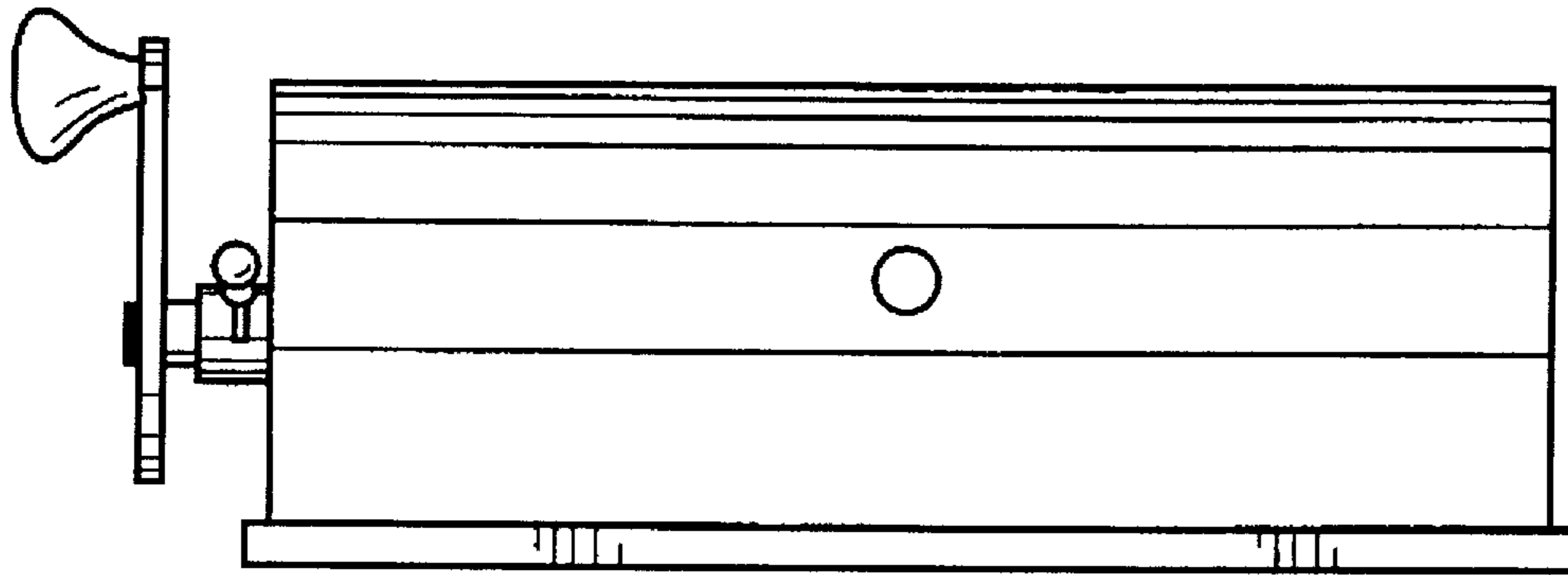


FIG. 4

FIG. 5

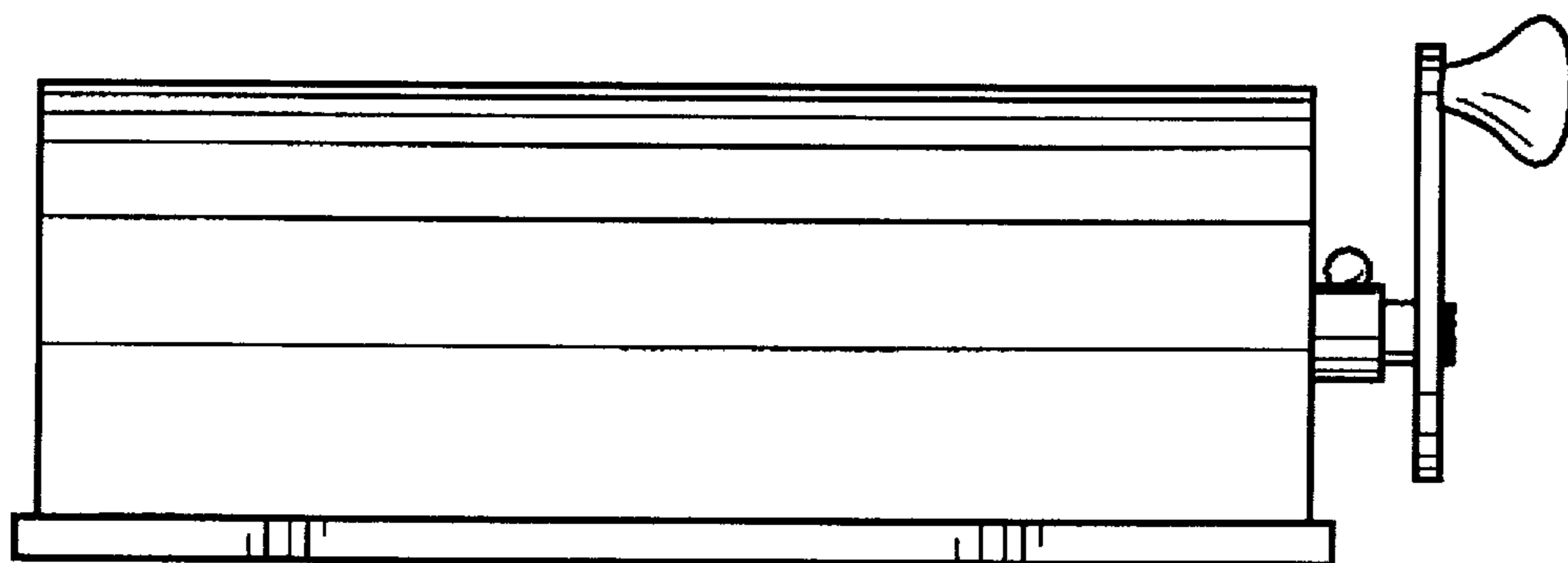


FIG. 6

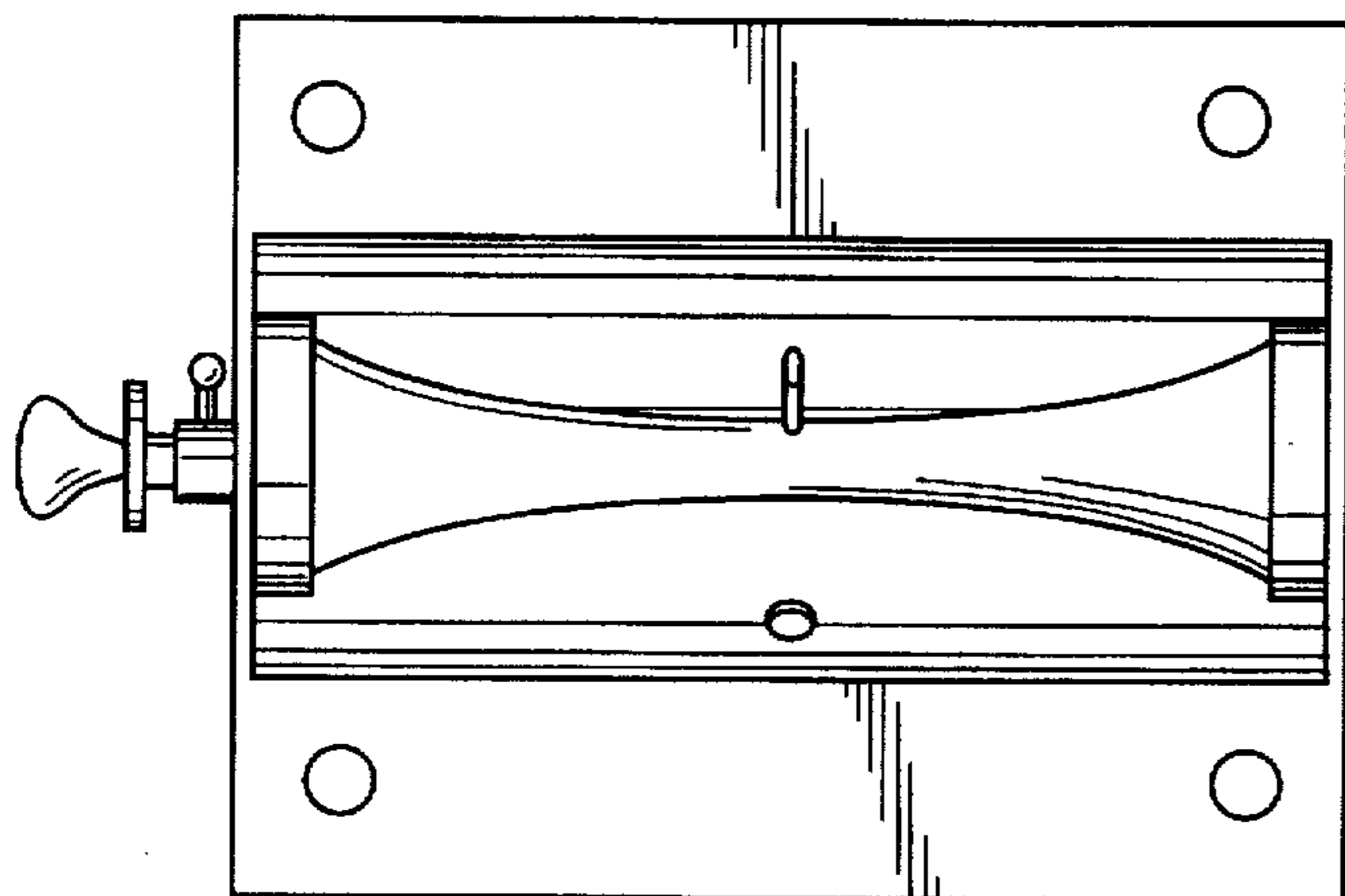
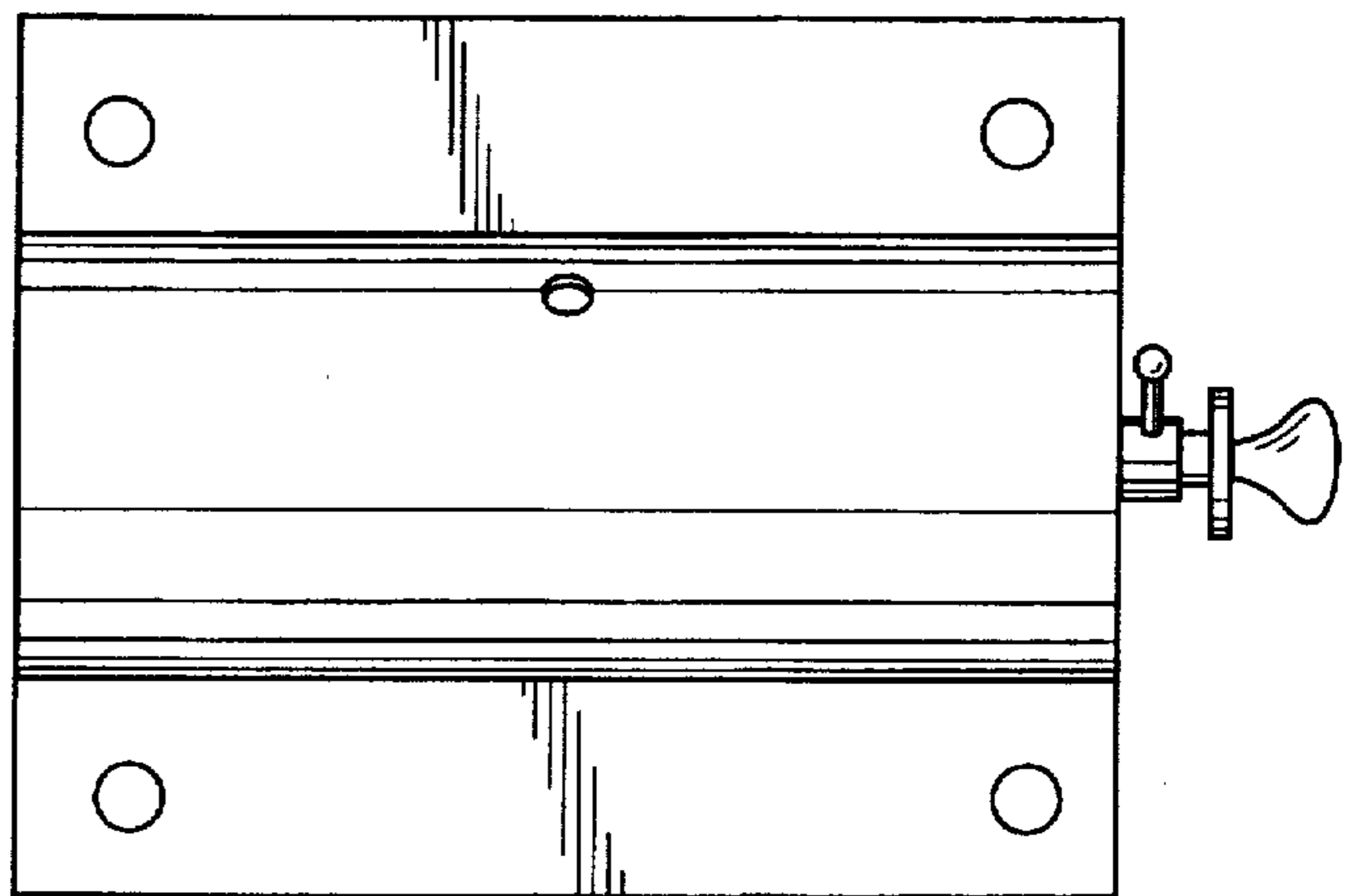


FIG. 7