



US00D387970S

**United States Patent** [19]  
**Enslen**

[11] **Patent Number: Des. 387,970**  
[45] **Date of Patent: \*\*Dec. 23, 1997**

[54] **RADIUS WALL FRAMING BRACKET**

[76] **Inventor: Douglas L. Enslen, 1825 Willow Hill La., Toledo, Ohio 43615**

[\*\*] **Term: 14 Years**

[21] **Appl. No.: 56,380**

[22] **Filed: Jun. 27, 1996**

[51] **LOC (6) Cl. .... 08-05**

[52] **U.S. Cl. .... D8/349**

[58] **Field of Search ..... D8/349, 354, 380; 248/300, 205.5, 200**

[56] **References Cited**

**U.S. PATENT DOCUMENTS**

D. 226,808 5/1973 Rollins ..... D8/380 X  
4,108,414 8/1978 Grant Sr. .... 248/300

**OTHER PUBLICATIONS**

Drag Specialties, 1987, p. 242, taillight bracket—item A located at top right corner of page.  
Montrose Catalog, 1977, p. 14, tension bracket, item A at top of page.

*Primary Examiner*—Holly Baynham  
*Attorney, Agent, or Firm*—Harold H. Dutton, Jr.

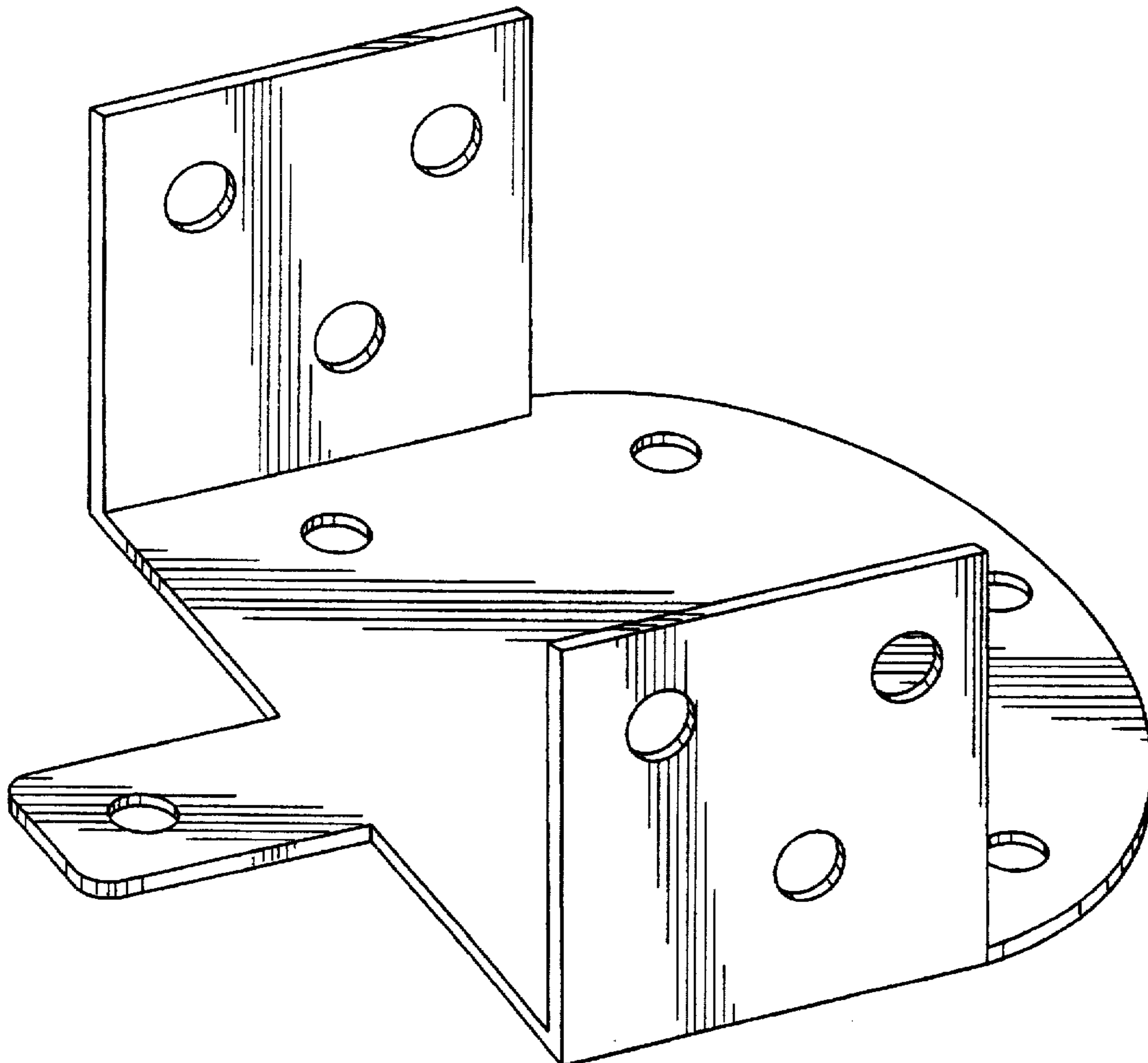
[57] **CLAIM**

The ornamental design for a radius wall framing bracket, as shown.

**DESCRIPTION**

FIG. 1 is a perspective view of a radius wall framing bracket showing my new design;  
FIG. 2 is a top view thereof;  
FIG. 3 is a bottom view thereof;  
FIG. 4 is a left view thereof;  
FIG. 5 is a right view thereof;  
FIG. 6 is a front view thereof; and,  
FIG. 7 is a rear view thereof.  
FIG. 8 is a reduced, environmental perspective view thereof.  
The broken line showing of remaining brackets are for illustrative purposes only and form no part of the claimed design.

**1 Claim, 6 Drawing Sheets**



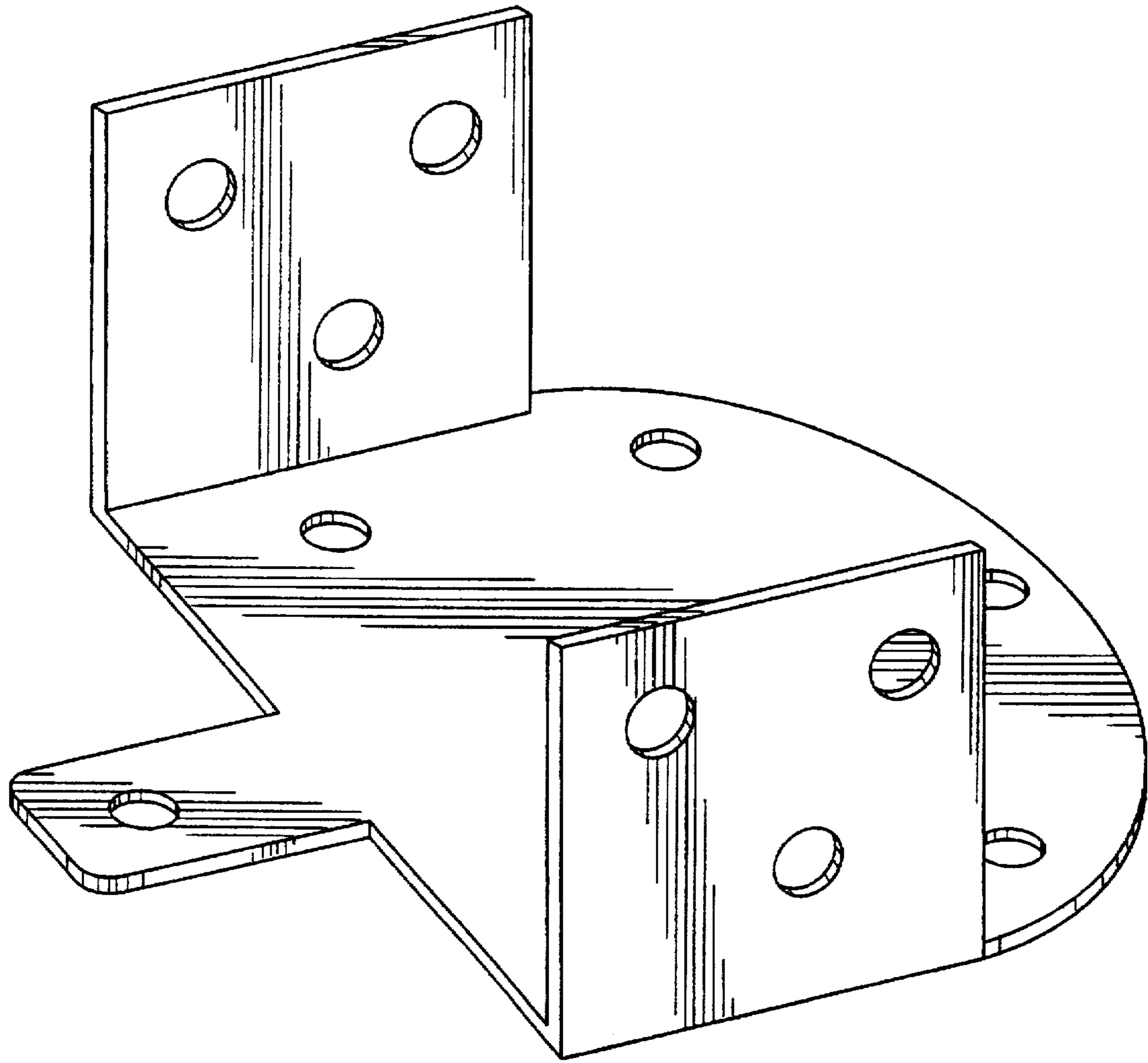


FIG. 1

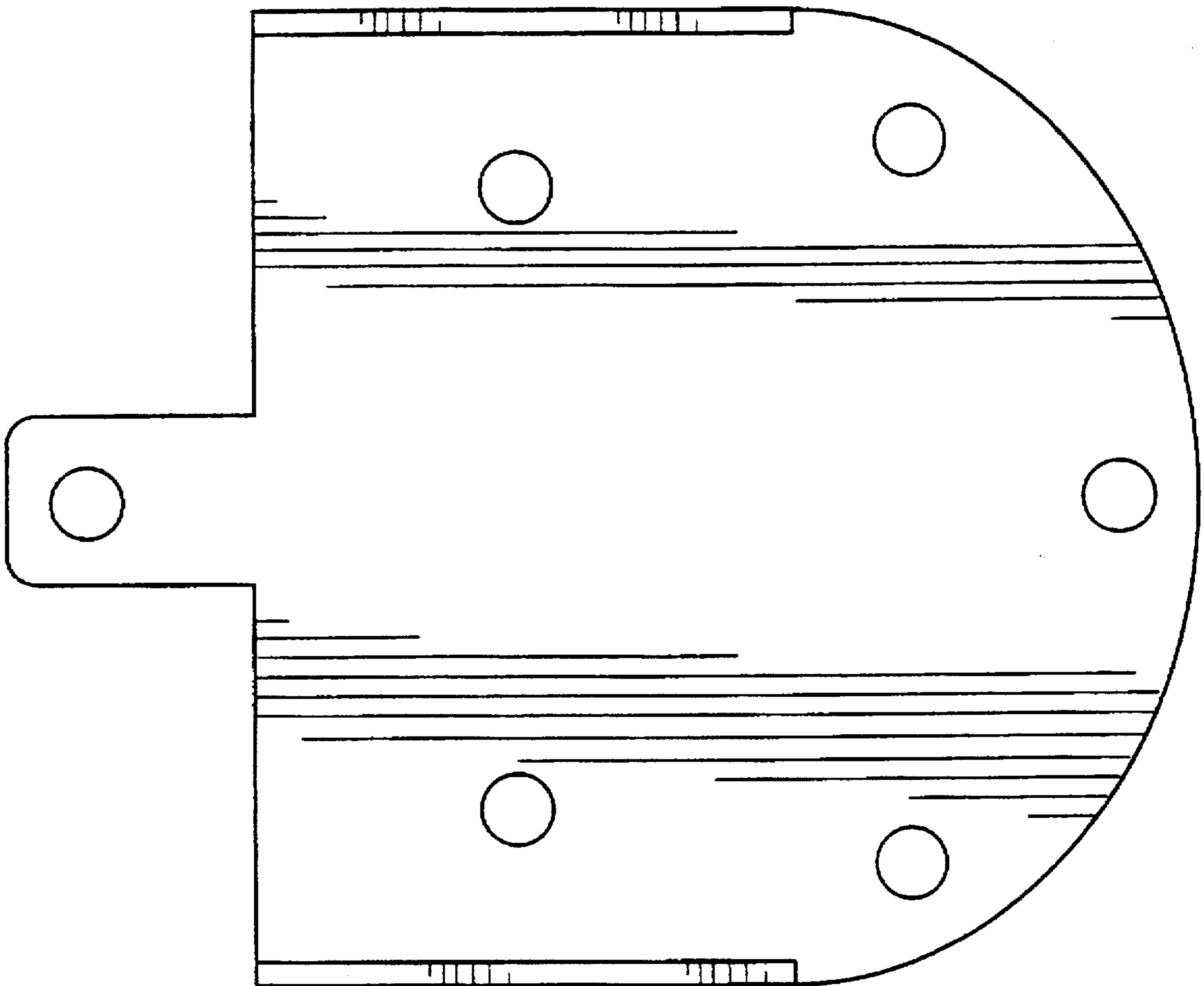


FIG. 2

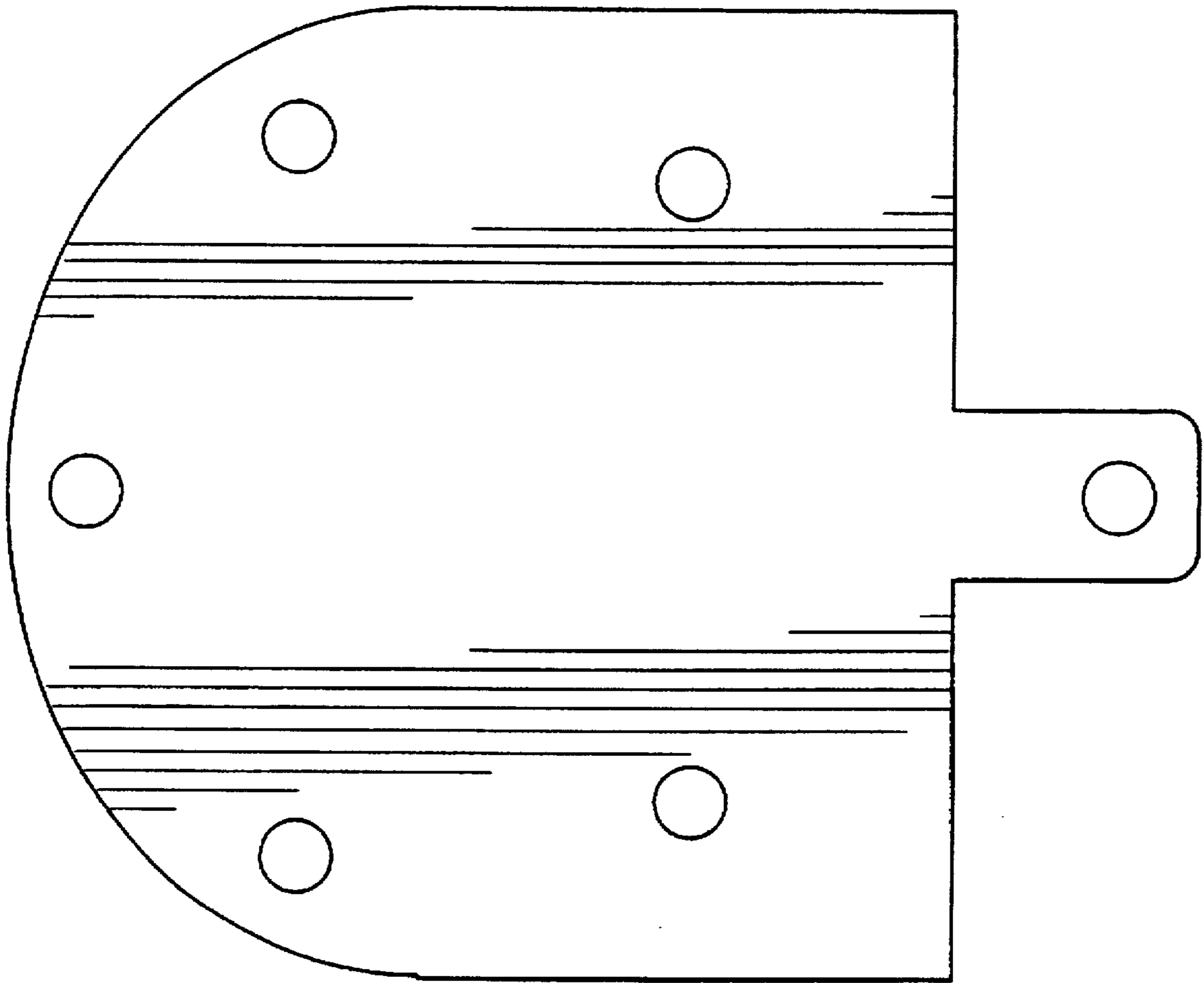


FIG. 3



FIG. 4

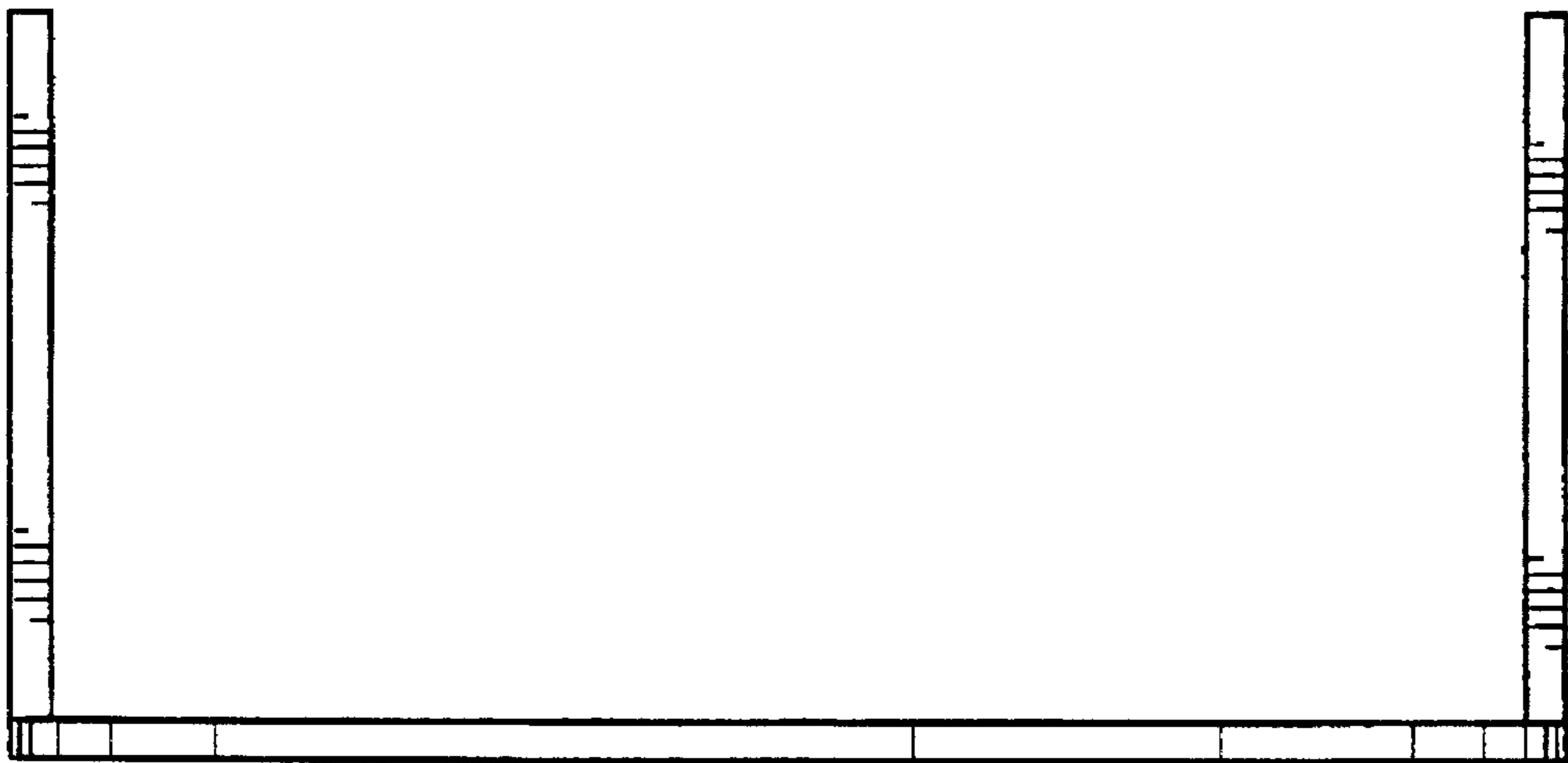


FIG. 5

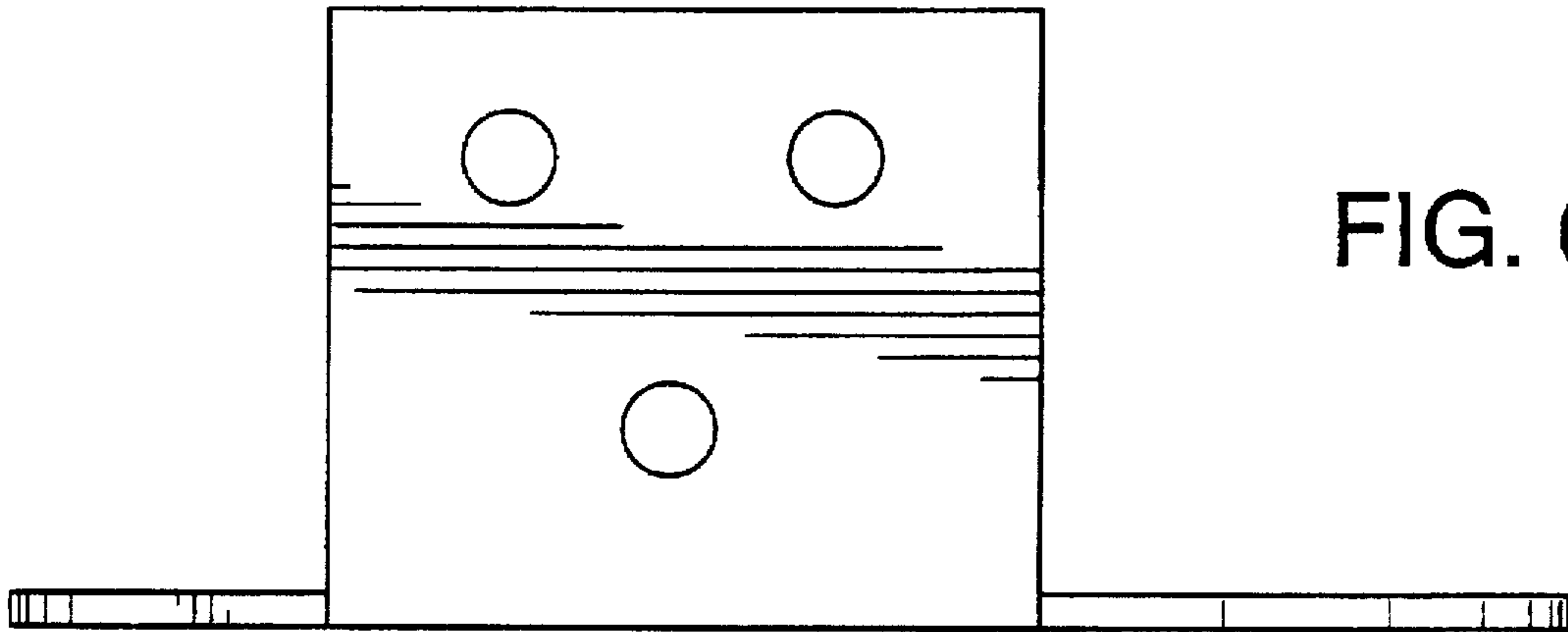
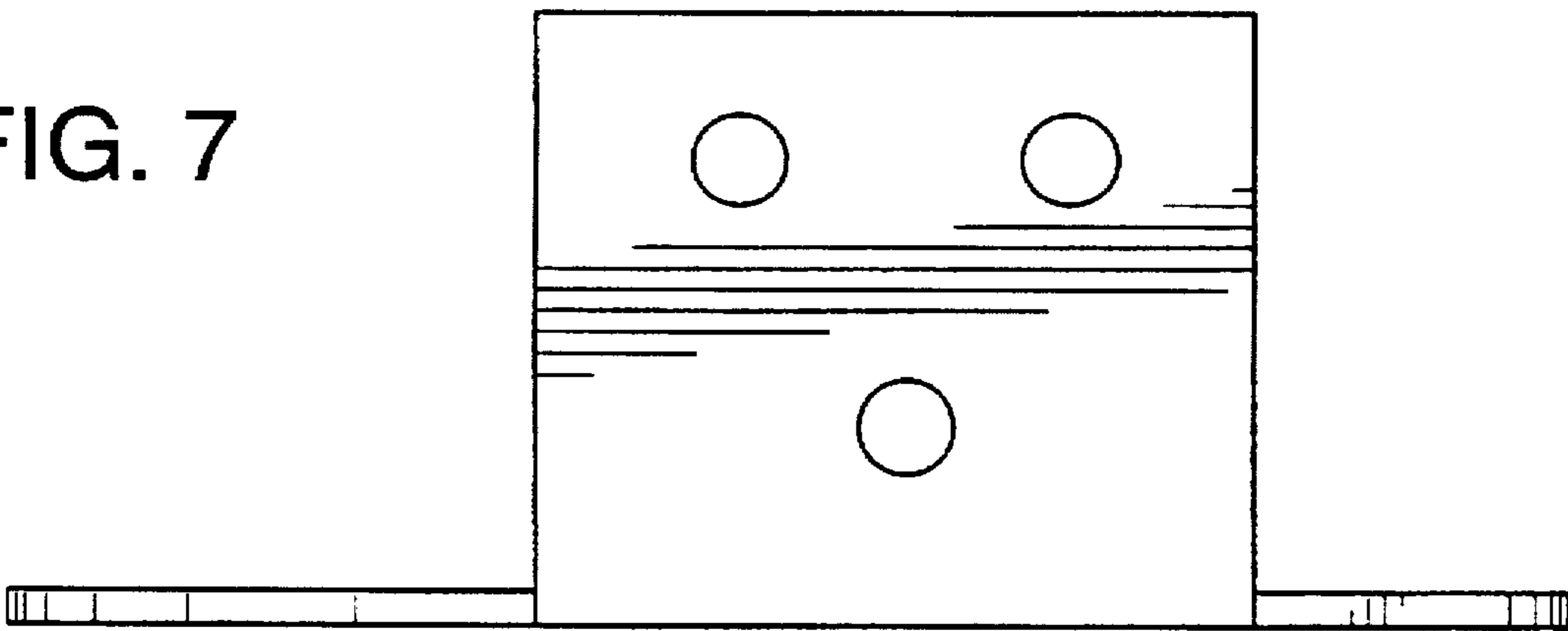


FIG. 6

FIG. 7



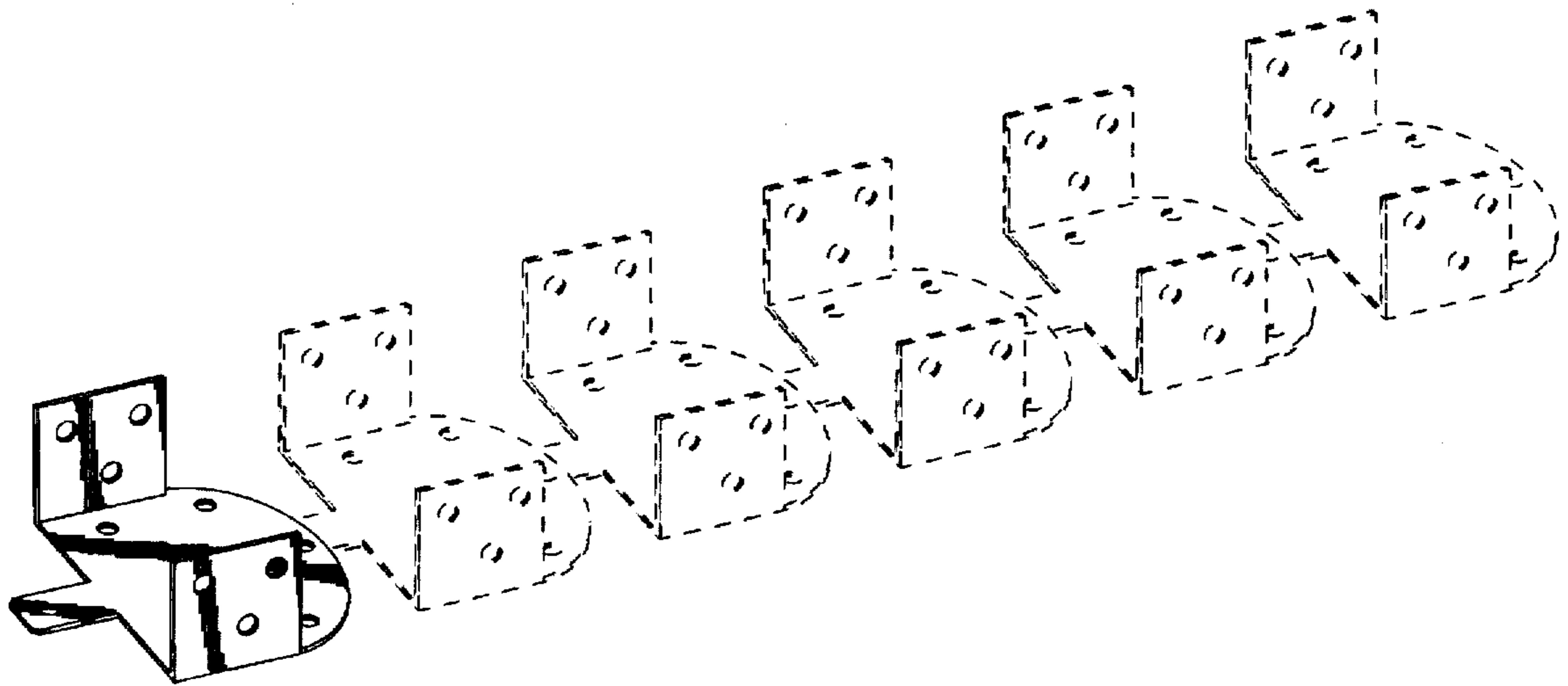


FIG. 8