



US00D387969S

United States Patent [19]

Rabinovitz

[11] Patent Number: Des. 387,969

[45] Date of Patent: **Dec. 23, 1997

[54] CONNECTOR

[76] Inventor: **Josef Rabinovitz**, c/o JMR Electronics, Inc., 20400 Plummer St., Chatsworth, Calif. 91311

[**] Term: 14 Years

[21] Appl. No.: 51,460

[22] Filed: Mar. 8, 1996

[51] LOC (6) Cl. 08-05

[52] U.S. Cl. D8/349

[58] Field of Search D8/349, 354, 382; 403/171-172, 405.1, 295, 292; D6/495

[56] **References Cited**

U.S. PATENT DOCUMENTS

D. 194,759	3/1963	Marett	D8/354
3,851,981	12/1974	Corsi et al.	403/292 X
4,036,371	7/1977	Michel	.	
4,105,348	8/1978	Anderson et al.	.	
4,239,306	12/1980	Klaus	.	
4,501,460	2/1985	Sisler	.	

4,632,594	12/1986	Del Tufo et al.	.
4,648,737	3/1987	Lake, Jr. et al.	.
4,774,792	10/1988	Ballance	.
5,480,117	1/1996	Fleming, III	.

Primary Examiner—Holly Baynham
Attorney, Agent, or Firm—Oppenheimer Poms Smith

[57] **CLAIM**

The ornamental design for a connector, as shown and described.

DESCRIPTION

FIG. 1 is a right side elevational view of a connector showing my new design; the left side elevational view being a mirror image thereof;

FIG. 2 is a front elevational view thereof;

FIG. 3 is a top plan view thereof;

FIG. 4 is a bottom plan view thereof; and,

FIG. 5 is a top front perspective view thereof.

The dotted line showings in the drawings of the enclosures are for environmental purposes and form no part of the claimed design.

1 Claim, 3 Drawing Sheets

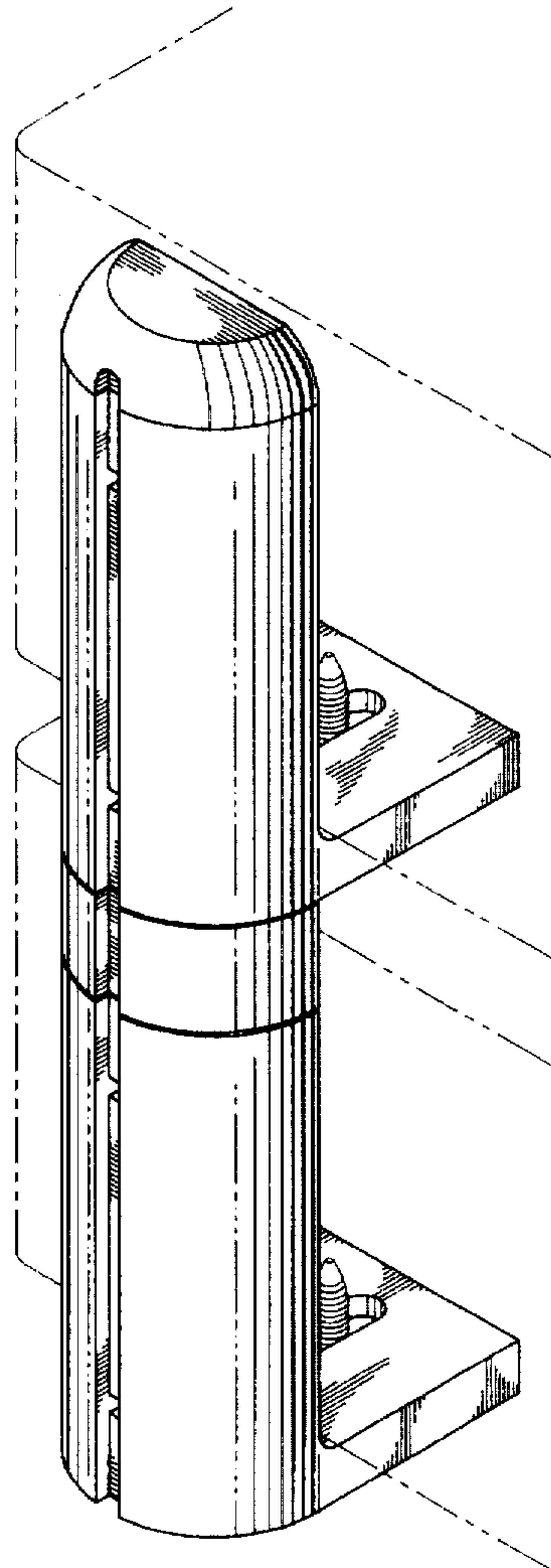


FIG. 3

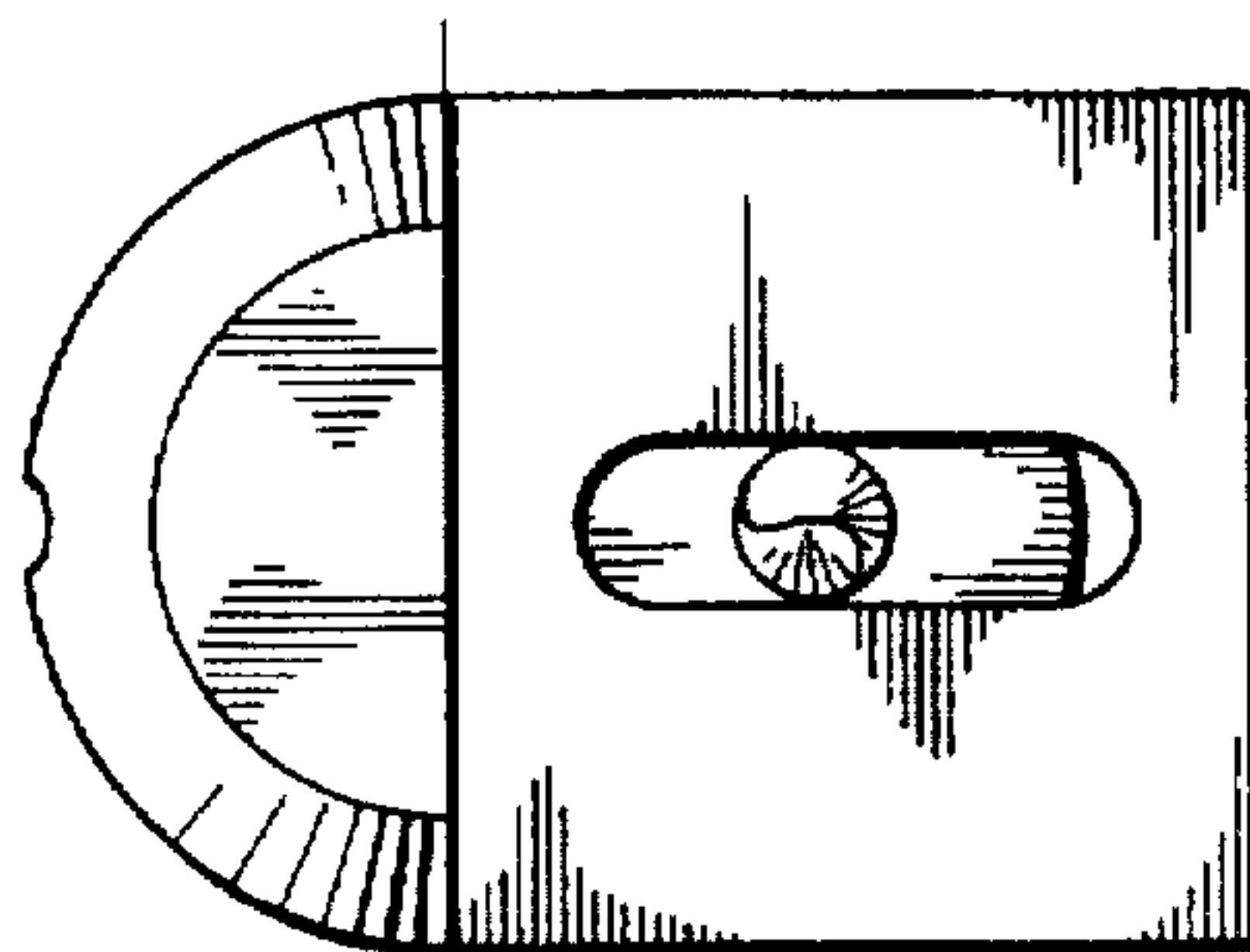


FIG. 1

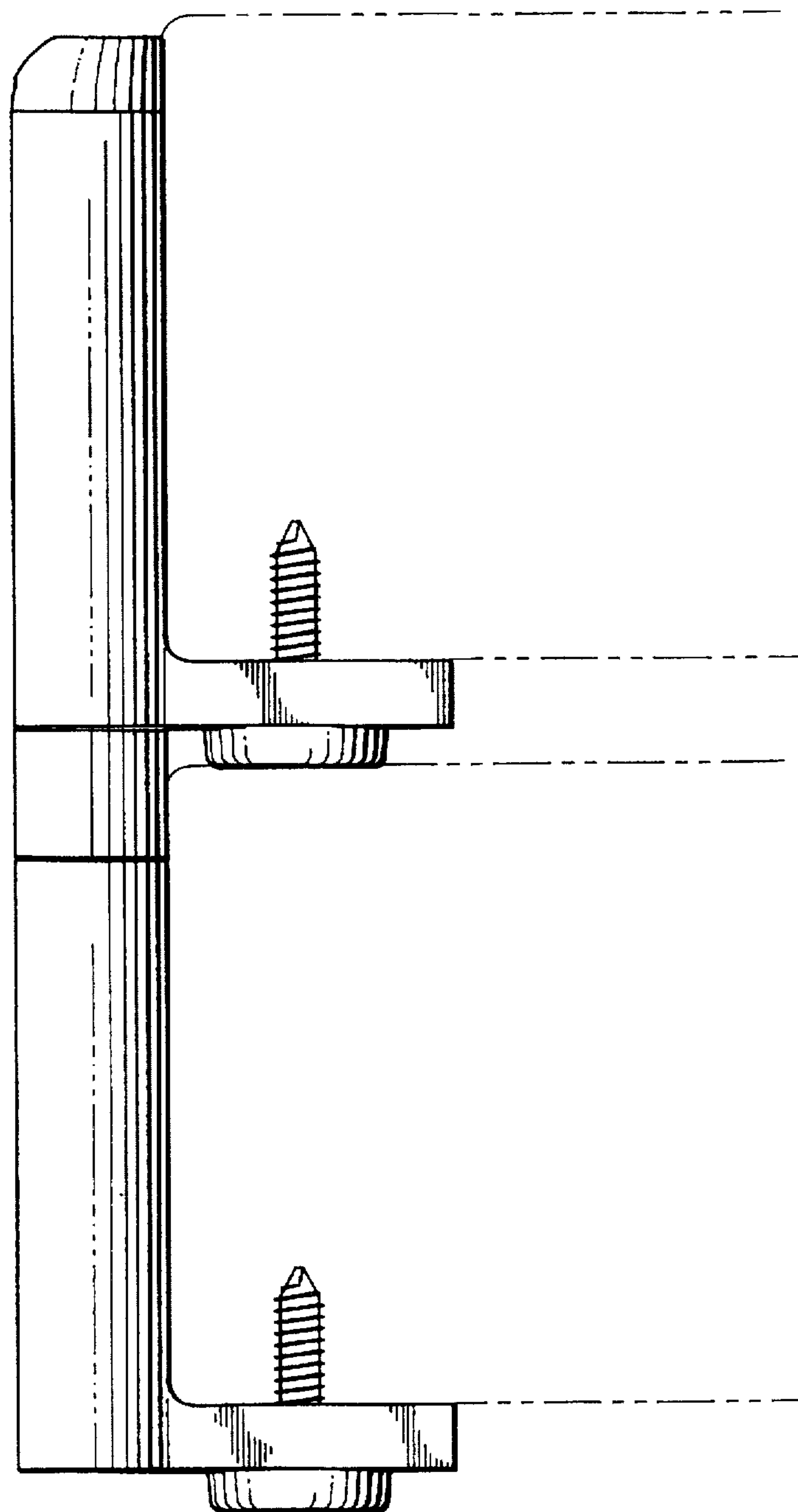


FIG. 2

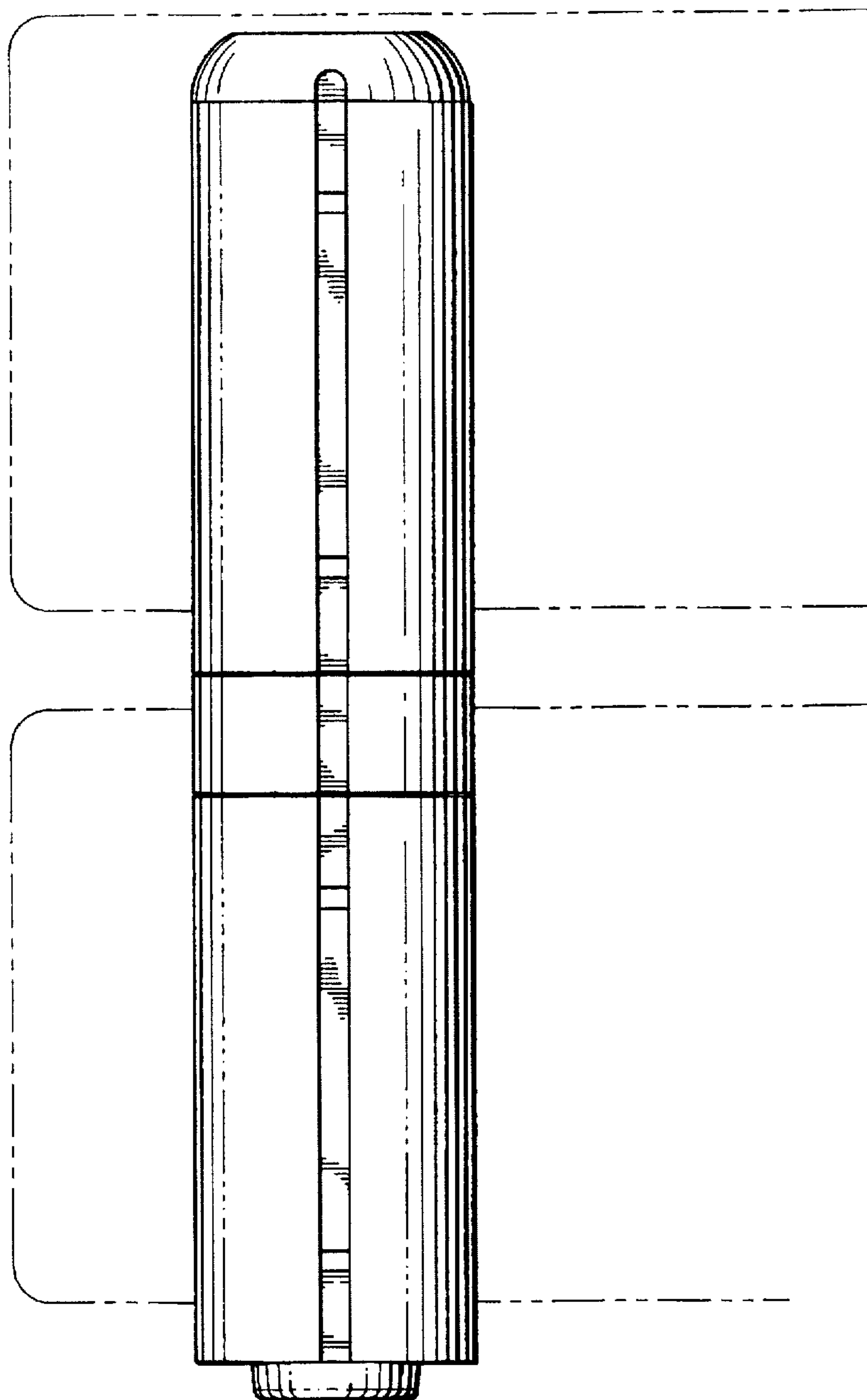
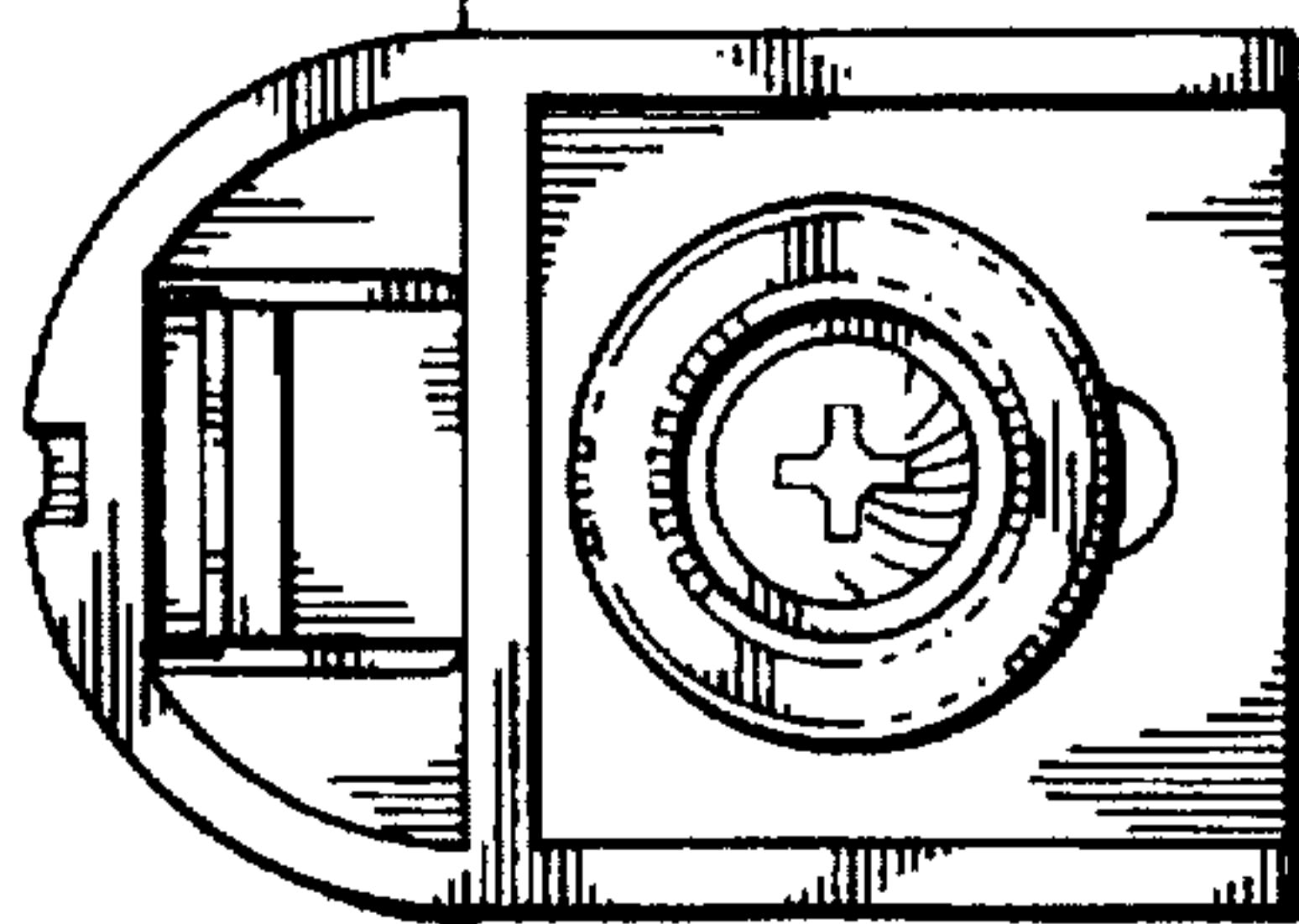


FIG. 4



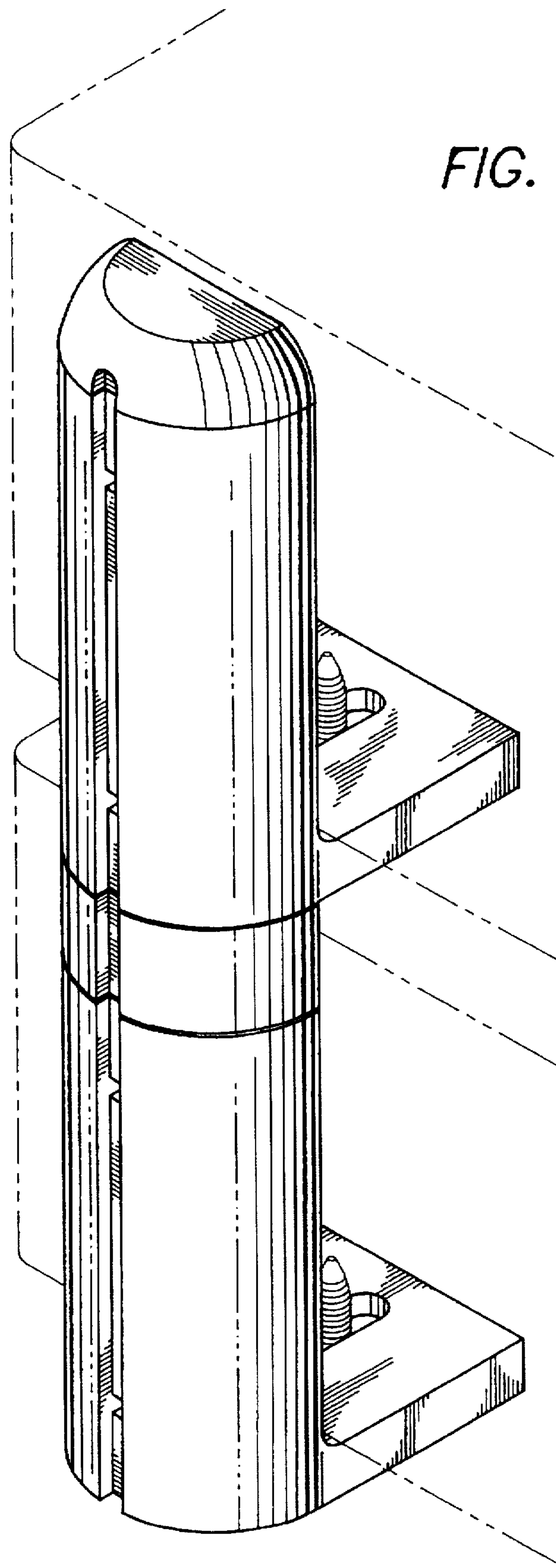


FIG. 5