



US00D387959S

United States Patent [19]
Cousins

[11] **Patent Number: Des. 387,959**
[45] **Date of Patent: **Dec. 23, 1997**

[54] **SANDWICH SPREADER**
[75] **Inventor: Morison S. Cousins, Winter Park, Fla.**
[73] **Assignee: Dart Industries Inc., Orlando, Fla.**
[**] **Term: 14 Years**
[21] **Appl. No.: 54,139**
[22] **Filed: May 7, 1996**
[51] **LOC (6) Cl. 07-06**
[52] **U.S. Cl. D7/696; D7/650**
[58] **Field of Search D7/649, 650, 688,**
D7/696; 30/115, 142, 340, 353, 355

1,301,297 4/1919 Newman 30/113.3
1,754,543 4/1930 Callum .

OTHER PUBLICATIONS

Goldschmiede Zeitung, one page, Aug. 1983, Knife.
Primary Examiner—Terry A. Wallace
Attorney, Agent, or Firm—John A. Doninger

CLAIM

The ornamental design for a sandwich spreader, as shown.

DESCRIPTION

FIG. 1 is a top, front and side perspective view of a sandwich spreader showing my new design;
FIG. 2 is a top plan view thereof;
FIG. 3 is a bottom plan view thereof;
FIG. 4 is a right elevation view thereof;
Fig. 5 is a left elevation view thereof;
FIG. 6 is a front elevation view thereof; and,
FIG. 7 is a rear elevation view thereof.

1 Claim, 2 Drawing Sheets

[56] **References Cited**

U.S. PATENT DOCUMENTS

D. 230,563 3/1974 Stabel, II D7/693
D. 316,016 4/1991 Nix .
D. 346,722 5/1994 Burdick et al. .

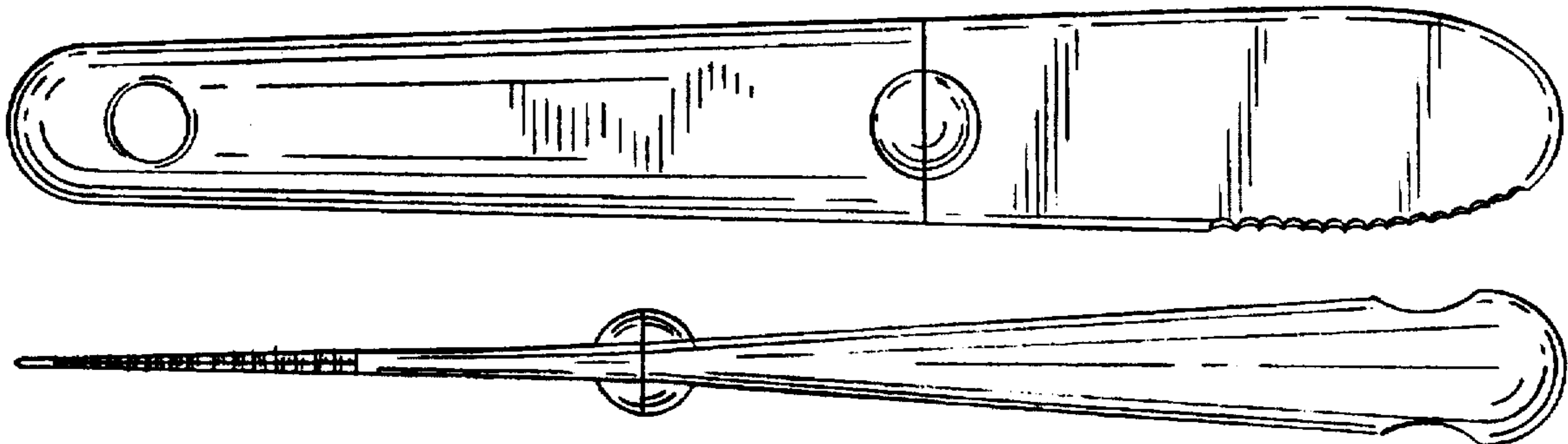


FIG. 1

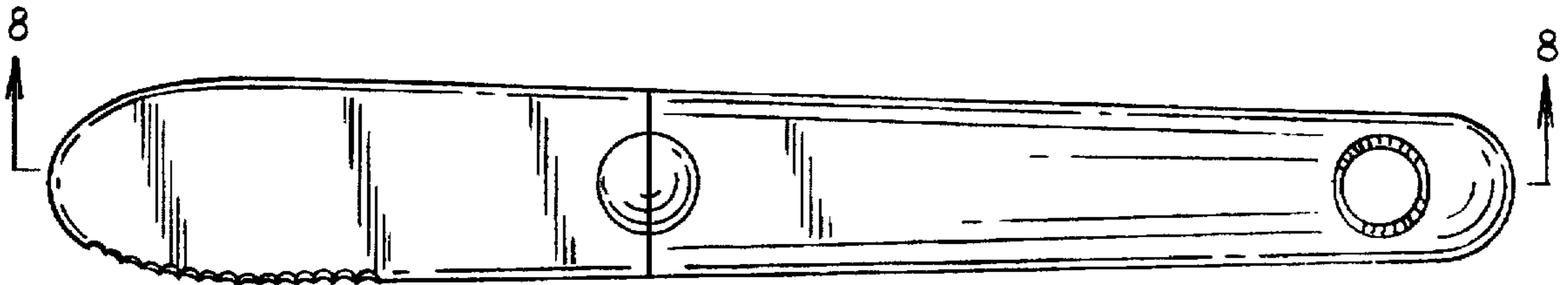
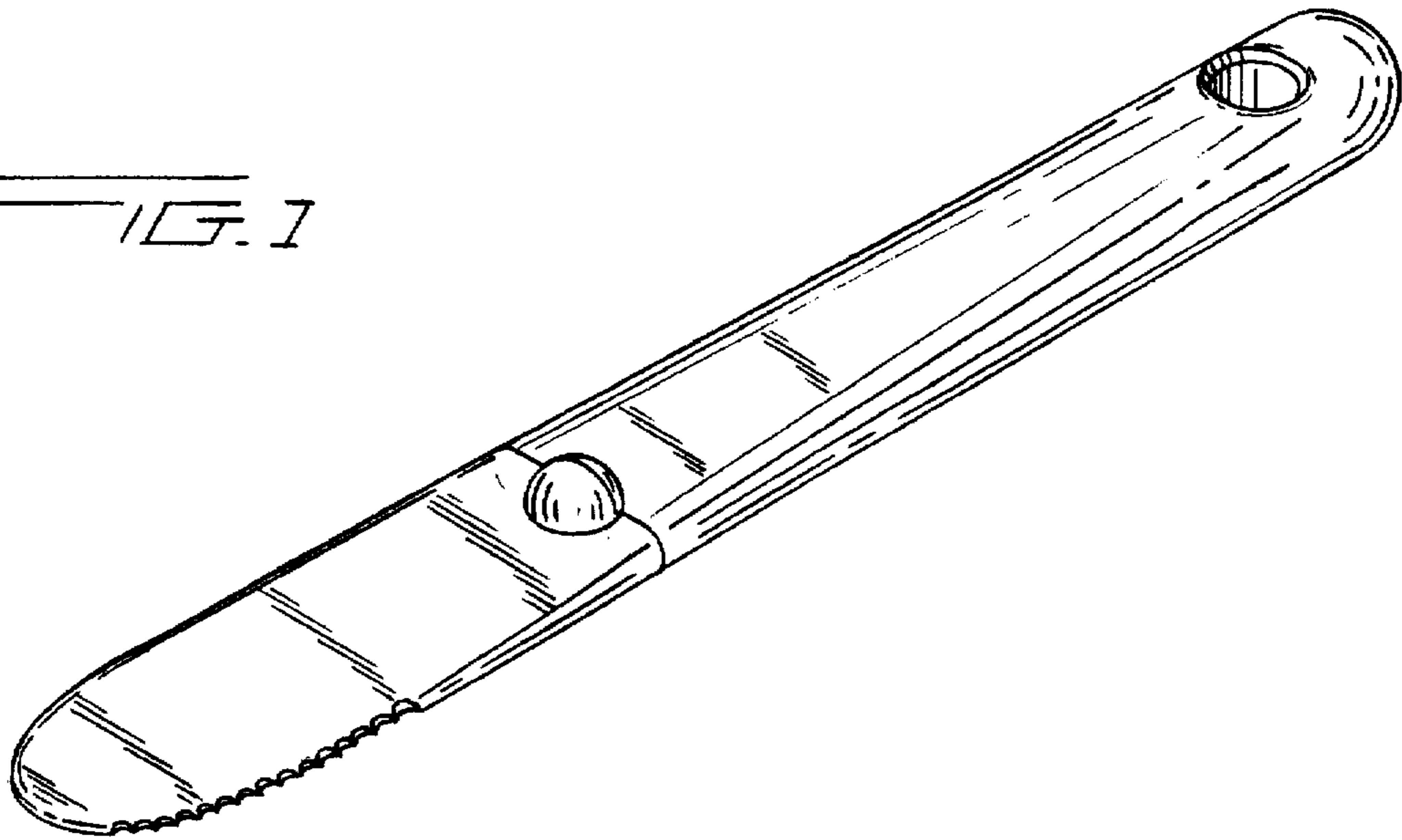


FIG. 2

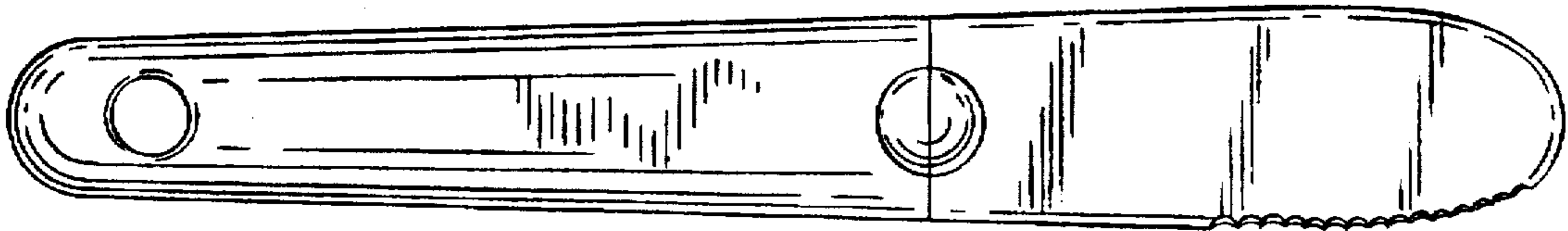


FIG. 3

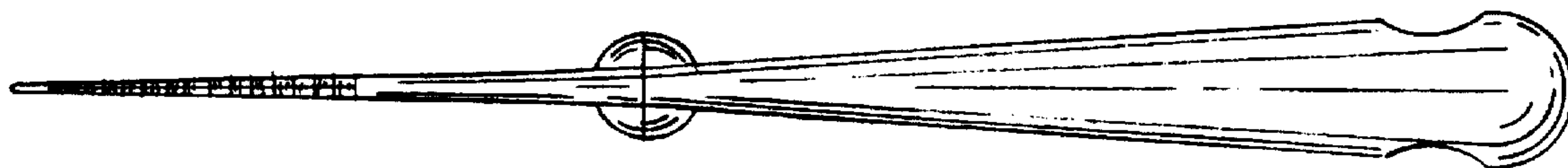


FIG. 4

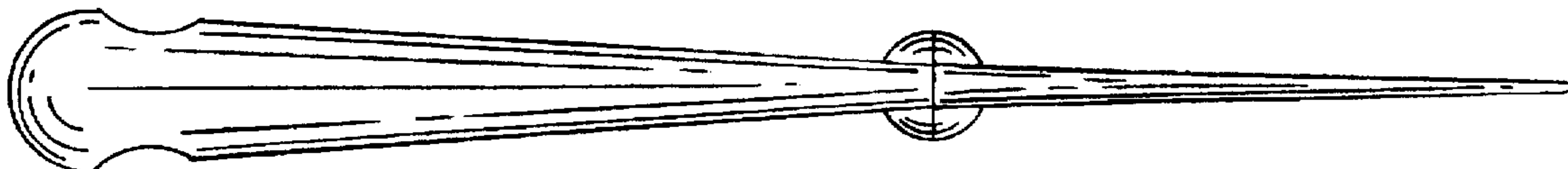


FIG. 5



FIG. 6



FIG. 7