



US00D387952S

United States Patent [19]
Schneider

[11] **Patent Number:** **Des. 387,952**
[45] **Date of Patent:** ****Dec. 23, 1997**

[54] **LID TRAY**

[76] **Inventor:** **Gladys Schneider**, 631 S. Villa, Villa Park, Ill. 60181

[**] **Term:** **14 Years**

[21] **Appl. No.:** **60,872**

[22] **Filed:** **Oct. 9, 1996**

[51] **LOC (6) Cl.** **07-07**

[52] **U.S. Cl.** **D7/637**

[58] **Field of Search** D7/637-641, 601, D7/701; D6/567; 211/13, 40, 70.6, 86; 248/309.1; D3/304, 313, 314

[56] **References Cited**

U.S. PATENT DOCUMENTS

D. 375,874 11/1996 Chrisco D7/637

Primary Examiner—Terry A. Wallace
Attorney, Agent, or Firm—Welsh & Katz, Ltd.

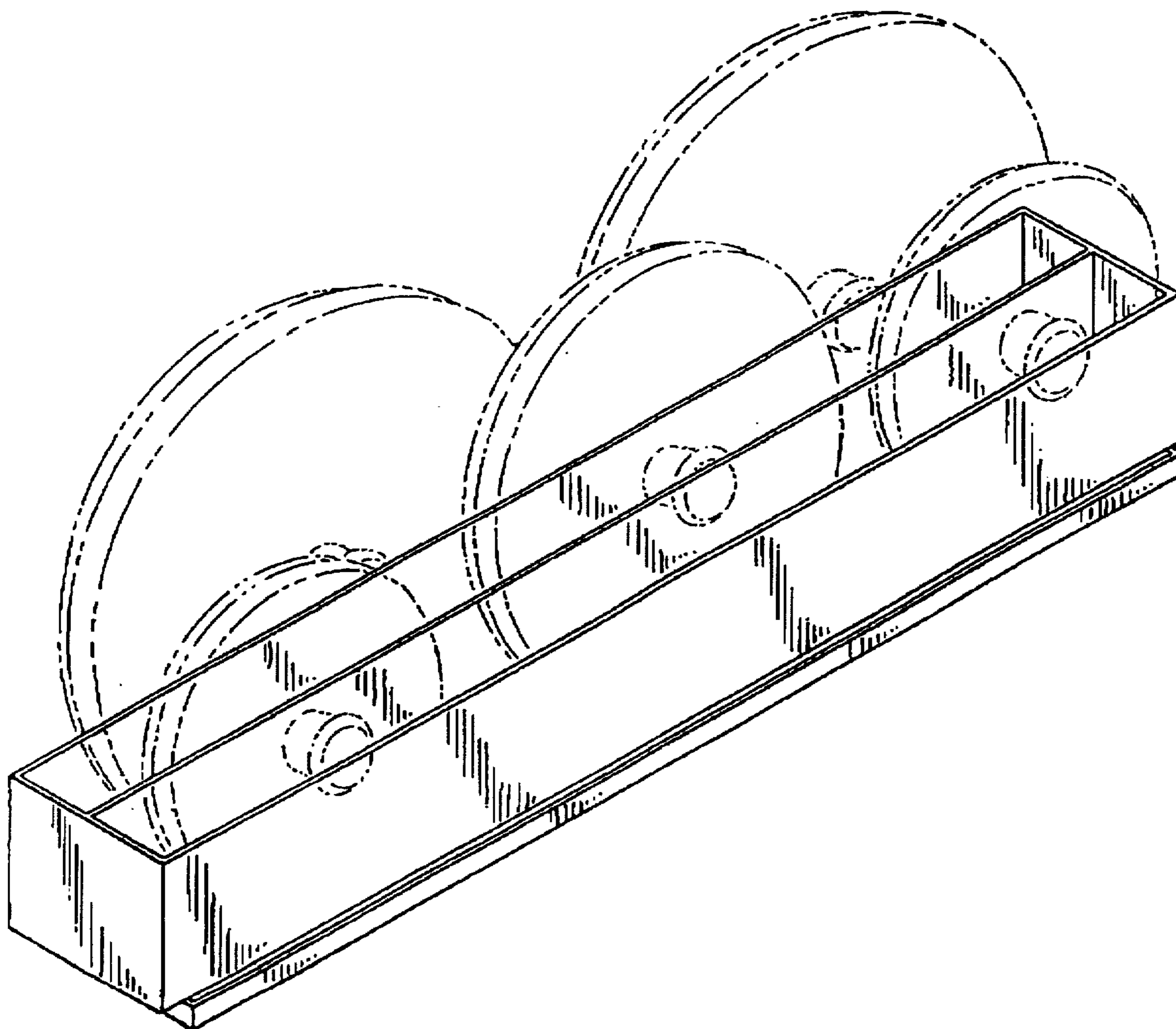
[57] **CLAIM**

The ornamental design for a lid tray, as shown and described.

DESCRIPTION

FIG. 1 is a front perspective view of a lid tray showing my new design, the lids are shown in broken lines for illustrative purposes only and form no part of the claimed design; FIG. 2 is a front elevation view thereof; FIG. 3 is a side elevation view thereof, the opposite side being a mirror image; FIG. 4 is a top plan view thereof; FIG. 5 is a bottom plan view of the upper portion shown separately for clarity of illustration; FIG. 6 is a cross-section view showing the upper and lower portions shown separated; and, FIG. 7 is a cross-section view showing the upper and lower portions interlocked.

1 Claim, 3 Drawing Sheets



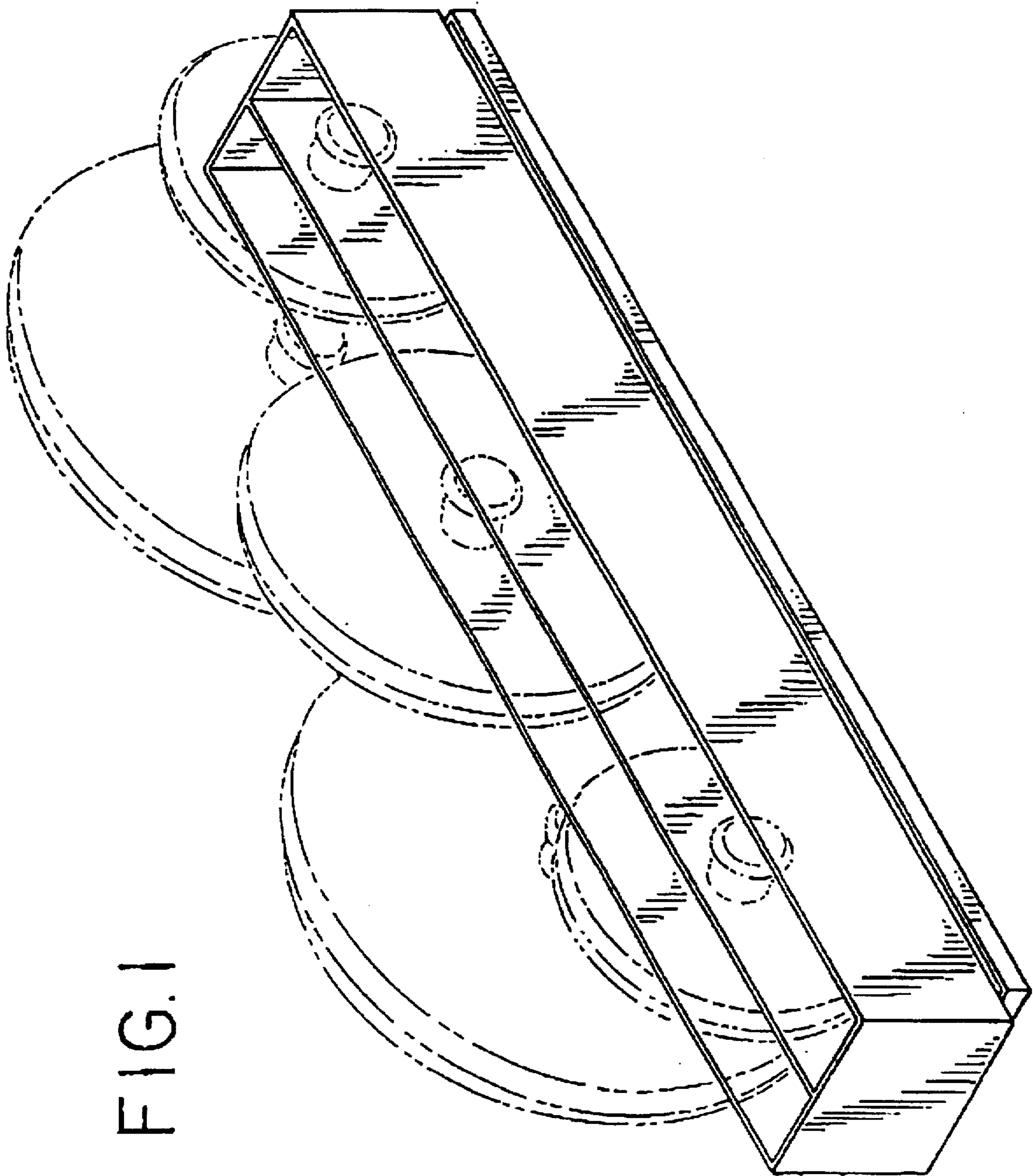


FIG. 1

FIG. 4

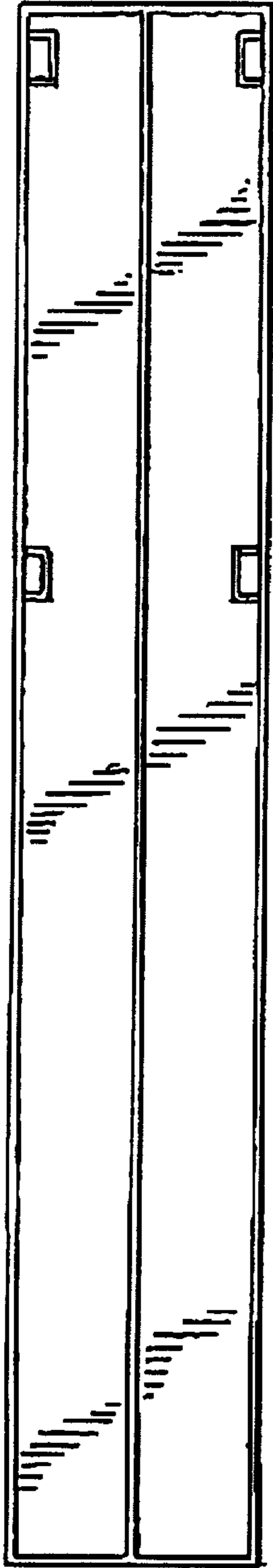


FIG. 3

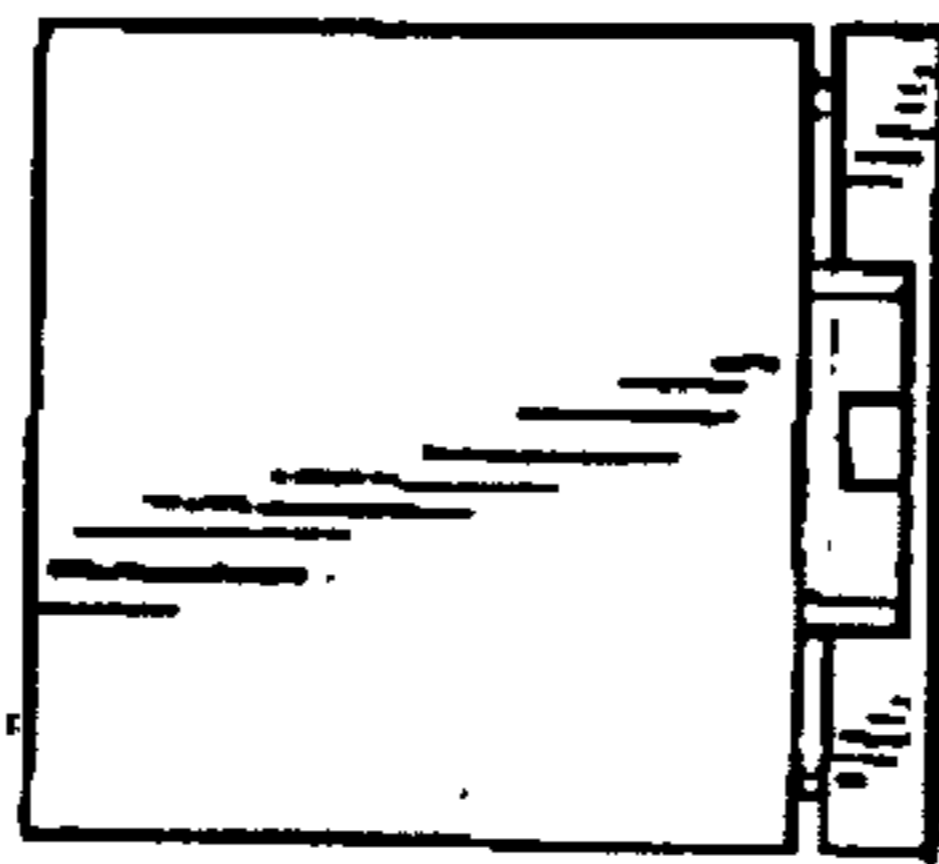


FIG. 2

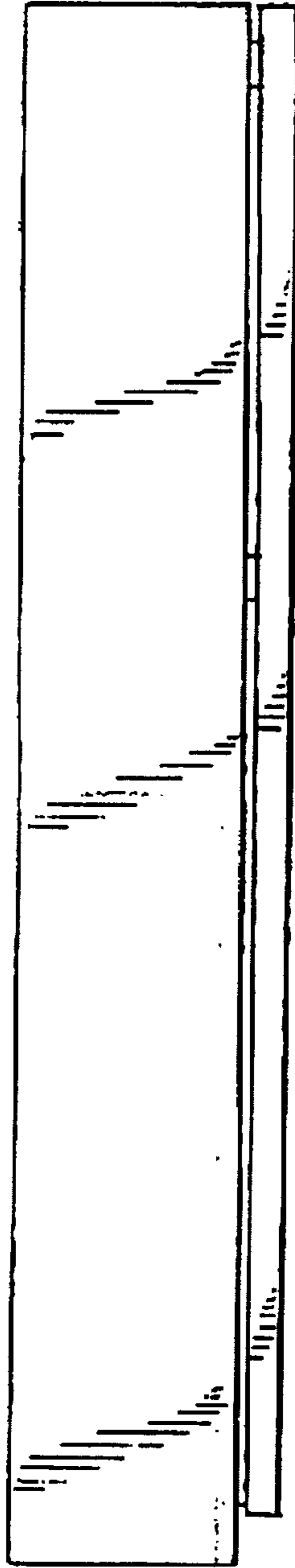


FIG. 5

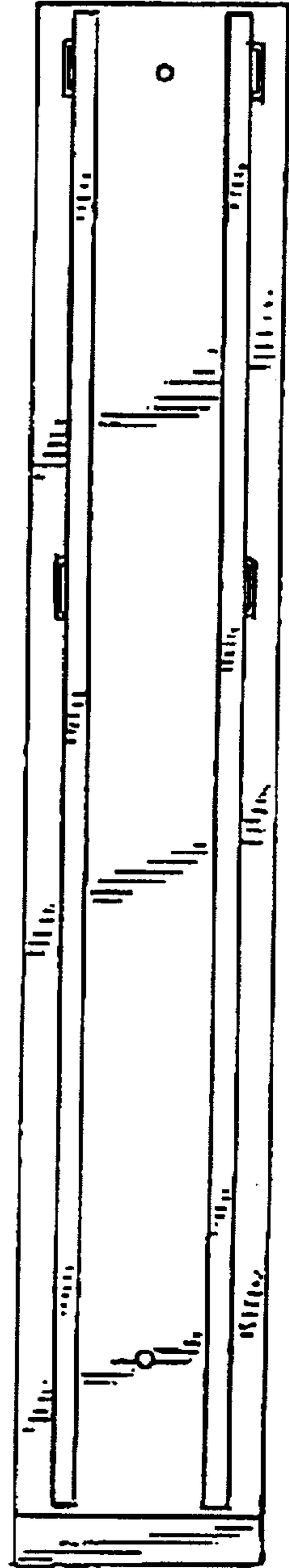


FIG. 6

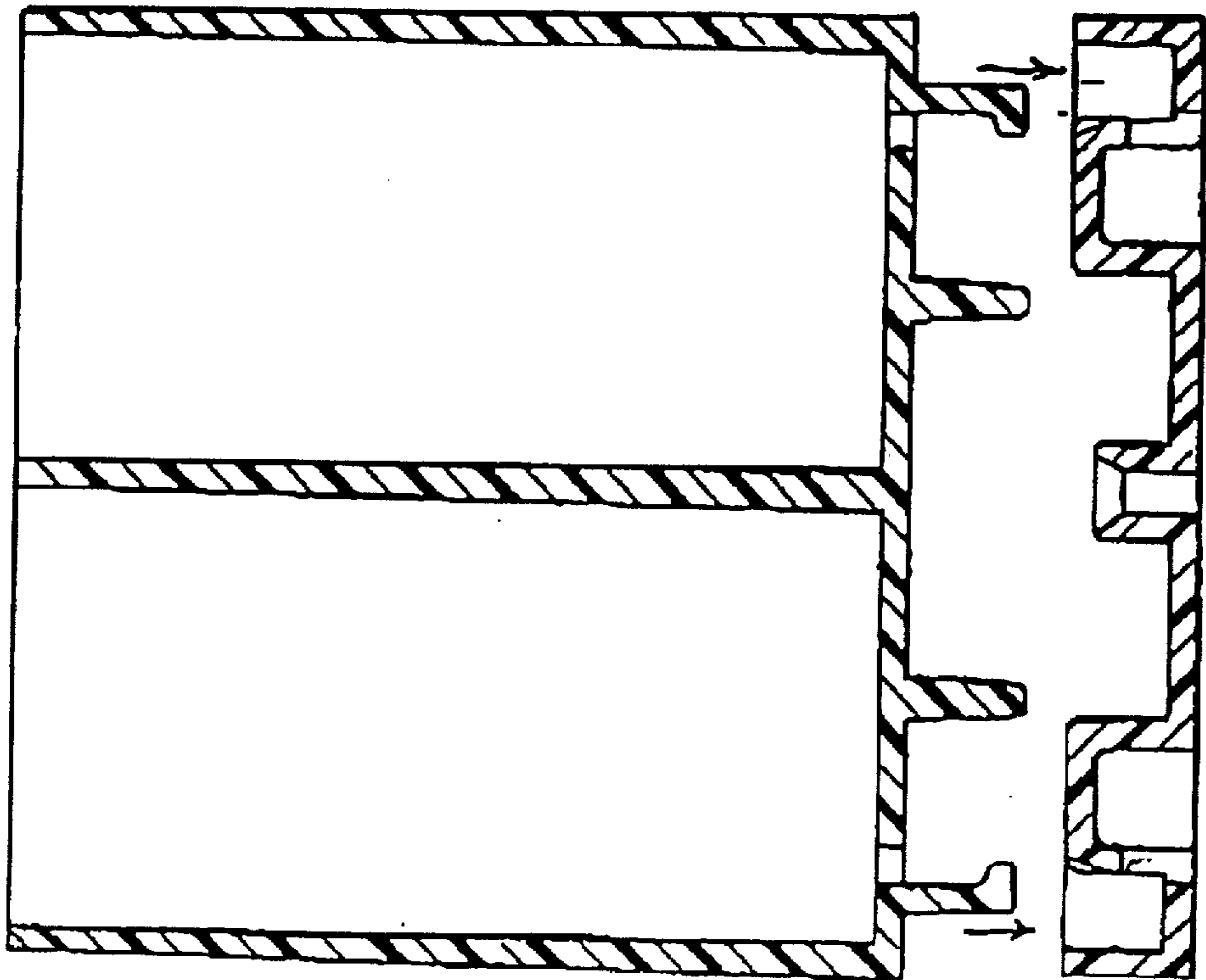


FIG. 7

