



US00D387947S

# United States Patent [19]

Benbow et al.

[11] Patent Number: **Des. 387,947**

[45] Date of Patent: **\*\*Dec. 23, 1997**

[54] **JUG**

[76] Inventors: **Michael Benbow**, 28 Brook Road, Loughton, Essex, IG10 IBP; **Gary Dettmar**, 79 Cressing Road, Braintree, Essex, CM7 6PW, both of England

[\*\*] Term: **14 Years**

[21] Appl. No.: **17,342**

[22] Filed: **Jan. 11, 1994**

### [30] Foreign Application Priority Data

Jul. 12, 1993	[GB]	United Kingdom	.....	2032286
Jul. 12, 1993	[GB]	United Kingdom	.....	2032287
Jul. 12, 1993	[GB]	United Kingdom	.....	2032288
Jul. 12, 1993	[GB]	United Kingdom	.....	2032313

[51] LOC (6) Cl. .... **07-01**

[52] U.S. Cl. .... **D7/319; D7/318**

[58] Field of Search ..... **D7/300, 312, 316, D7/317, 318, 319, 321, 322, 608; D23/209; 222/465.1, 475.1; 366/314, 205**

### [56] References Cited

#### U.S. PATENT DOCUMENTS

D. 300,708	4/1989	Minuti	.....	D7/317
D. 323,951	2/1992	Nove	.....	D7/319 X
D. 341,985	12/1993	Bunn et al.	.....	D7/316 X
D. 342,415	12/1993	Morgan	.....	D7/317 X
D. 342,416	12/1993	Morgan	.....	D7/317 X
D. 343,546	1/1994	Zimmerman	.....	D7/316 X
D. 346,024	4/1994	Morgan	.....	D7/317 X
D. 346,300	4/1994	Morgan	.....	D7/316

### OTHER PUBLICATIONS

Pitcher (red in center top), by Hammarplast, Supplement to HFD Sec 1 p. 2.

Primary Examiner—M. N. Pandozzi  
Attorney, Agent, or Firm—Schiff Hardin & Waite

### [57] CLAIM

The ornamental design for a jug, as shown as described.

### DESCRIPTION

FIG. 1 is a top plan view of a first embodiment of a container;

FIG. 2 is a bottom plan view of the jug shown in FIG. 1; FIG. 3 is a side elevational view of the jug shown in FIGS. 1 and 2;

The other side view of the container corresponds to FIG. 3; FIG. 4 is an end elevational view of the jug shown in FIGS. 1-3; and

FIG. 5 is an opposite end elevational view of the jug shown in FIGS. 1-4;

FIG. 6 is a top plan view of a second embodiment of a jug; FIG. 7 is bottom plan view of the jug shown in FIG. 6;

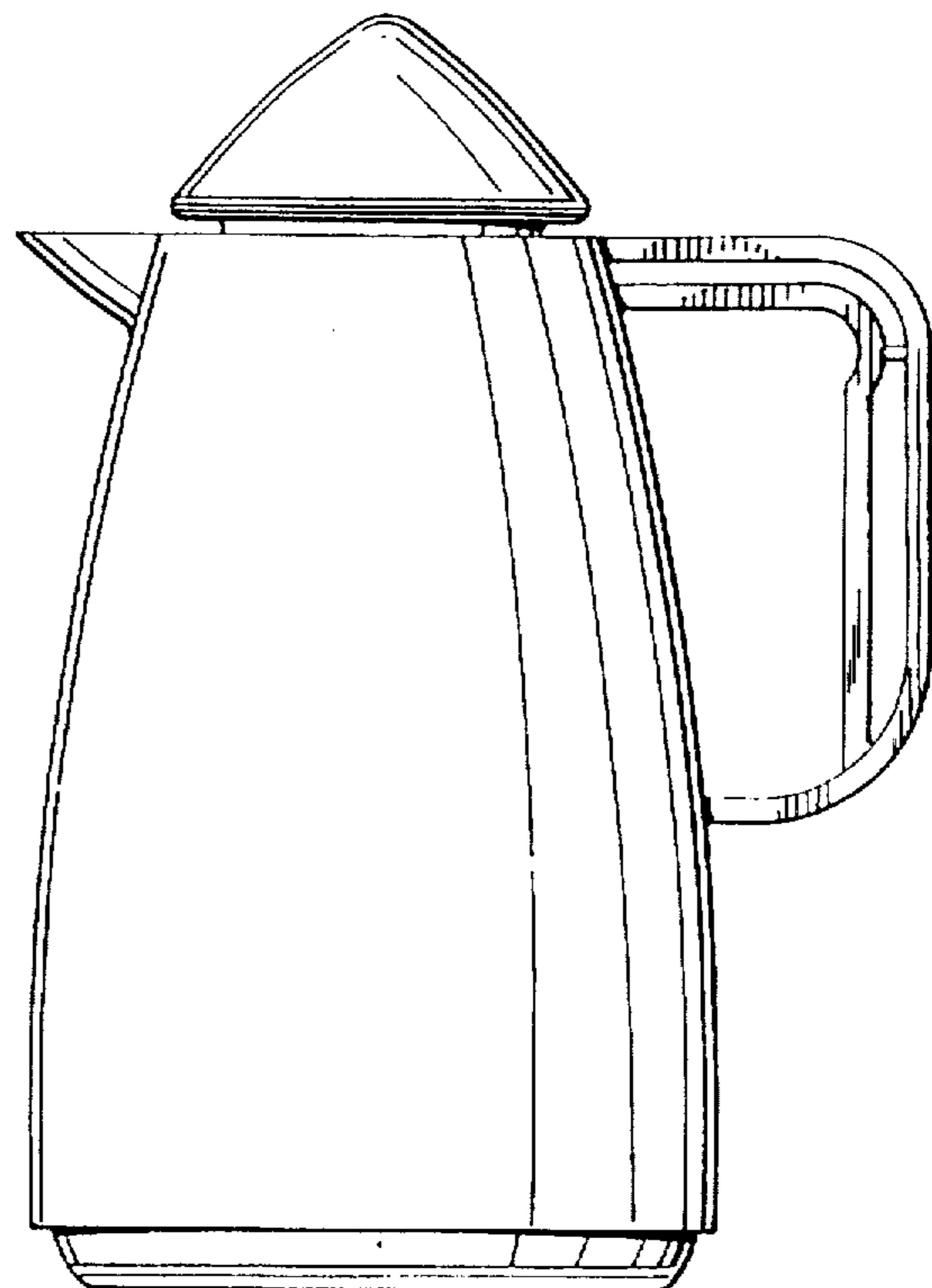
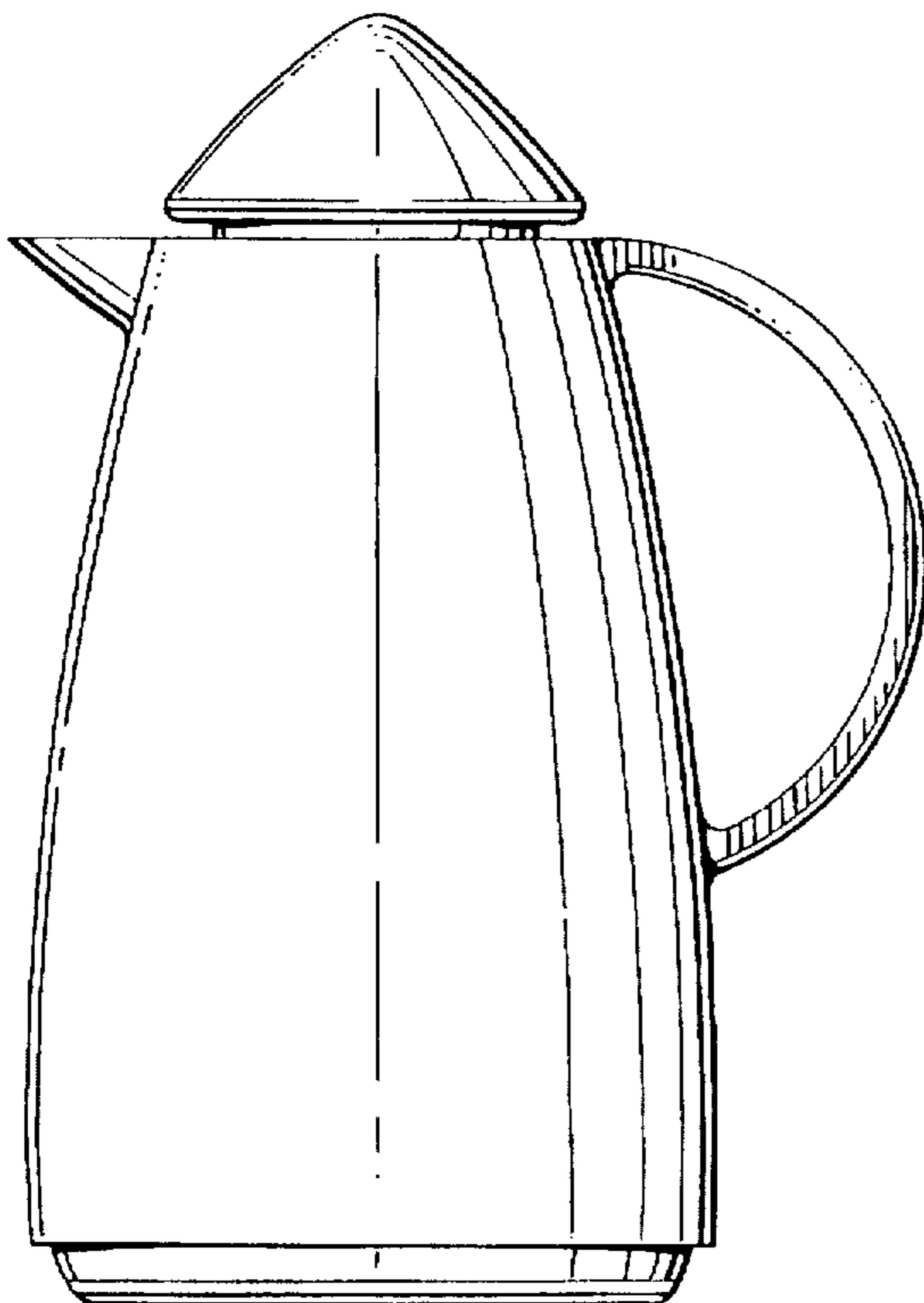
FIG. 8 is a side elevational view of the jug shown in FIGS. 6 and 7;

The other side view of the jug corresponds to FIG. 8;

FIG. 9 is an end elevational view of the jug shown in FIGS. 6-8; and,

FIG. 10 is an opposite end elevational view of the jug shown in FIGS. 6-9.

**1 Claim, 8 Drawing Sheets**



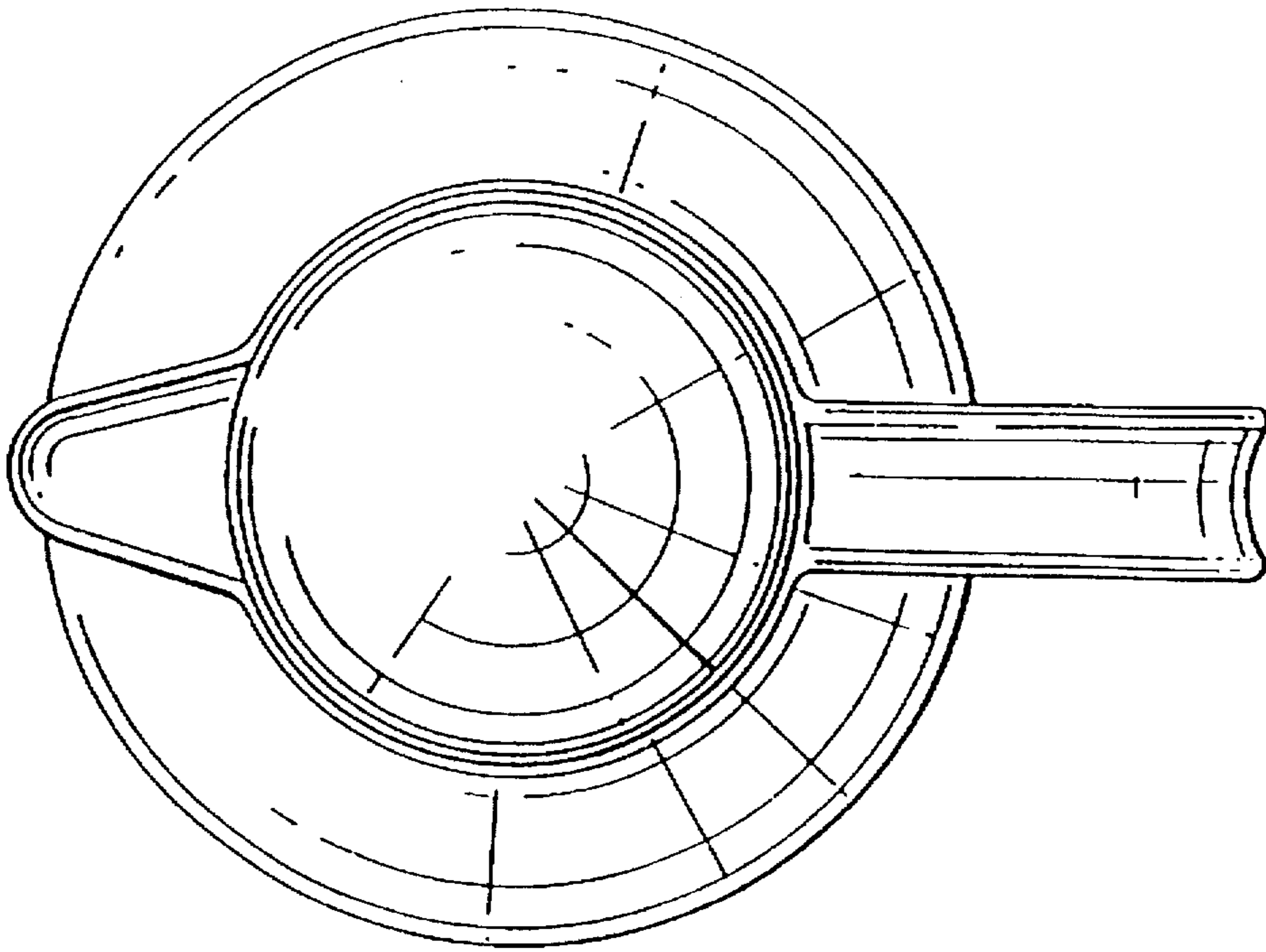


FIG. 1

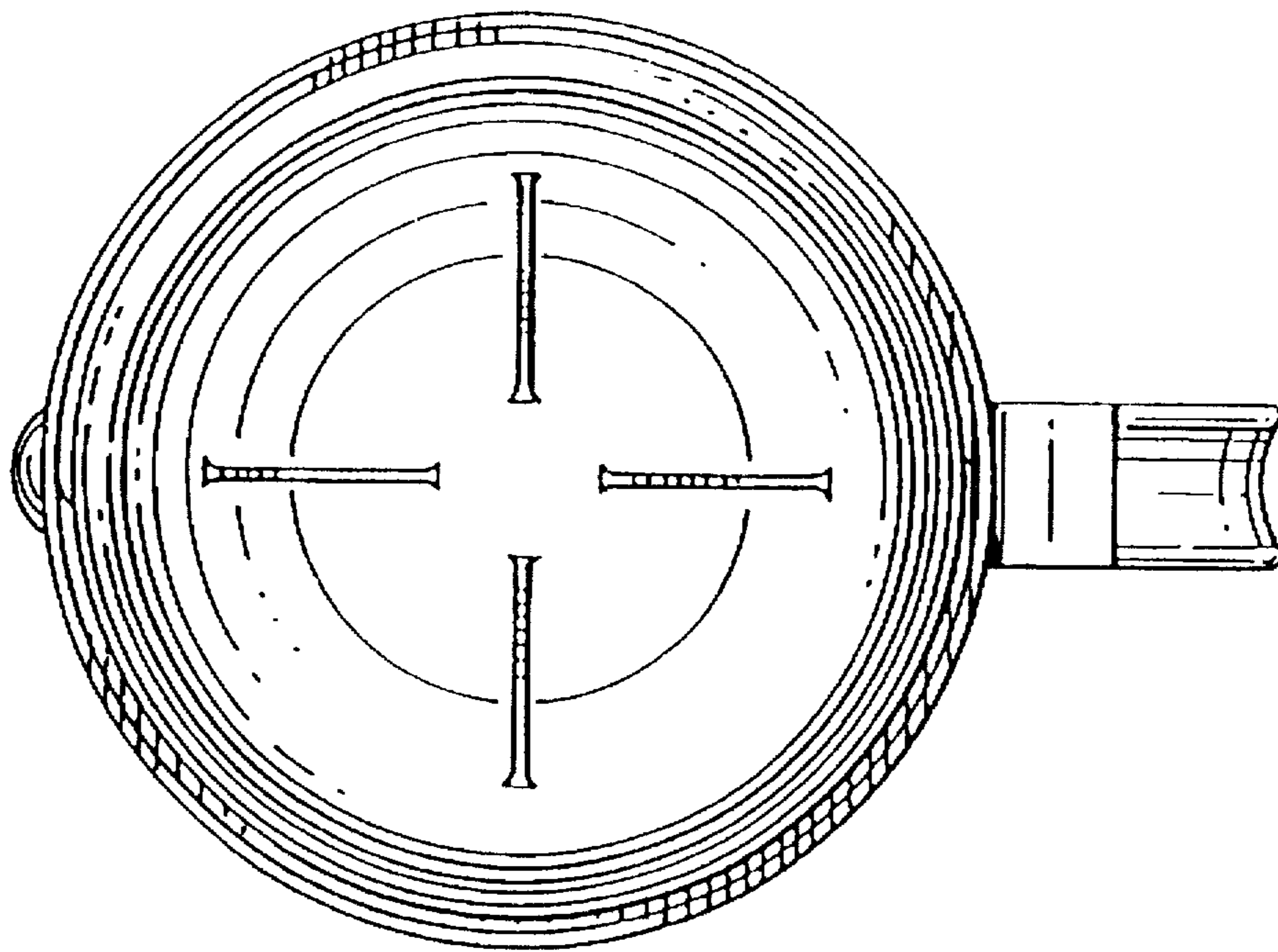


FIG. 2

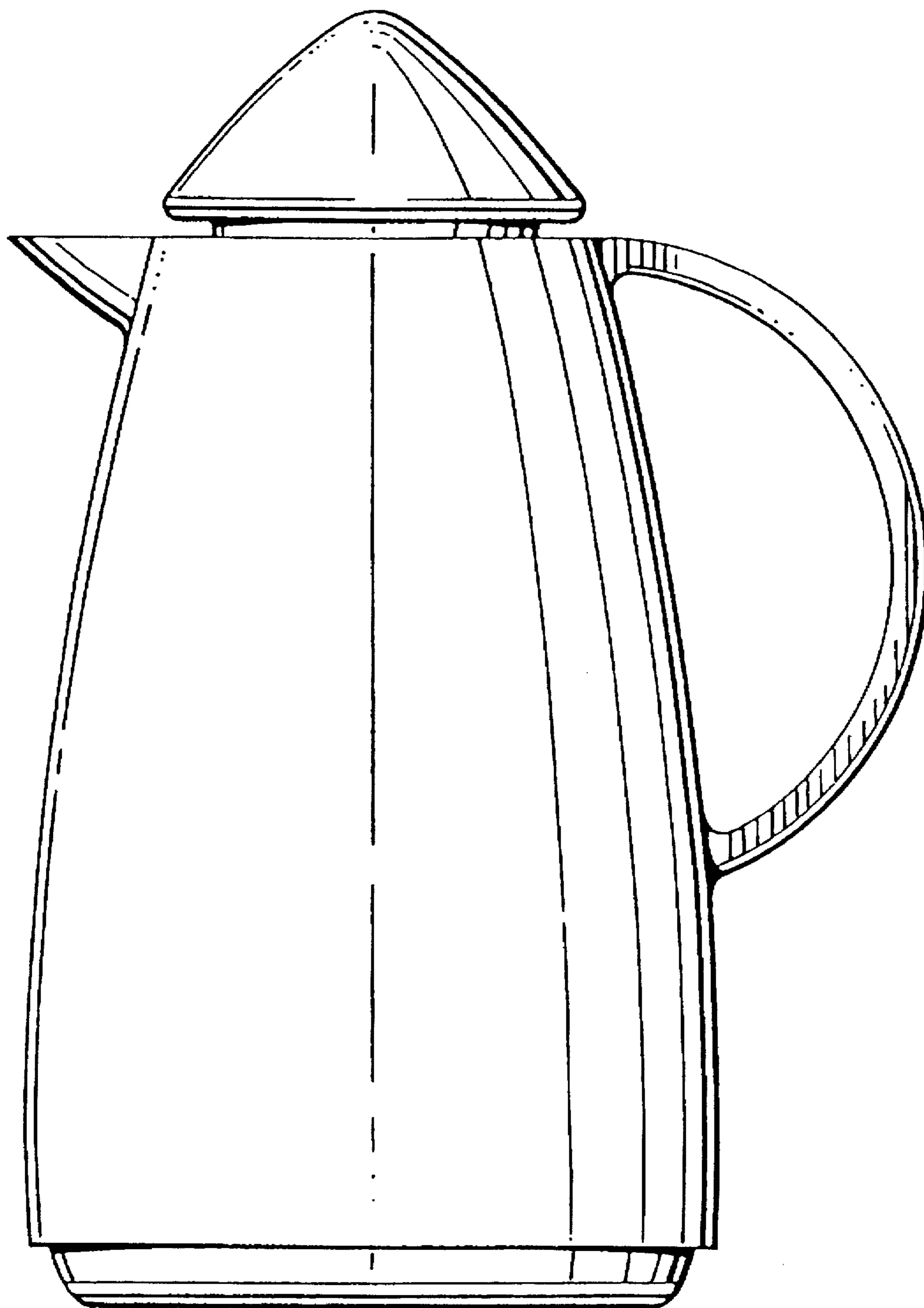


FIG. 3

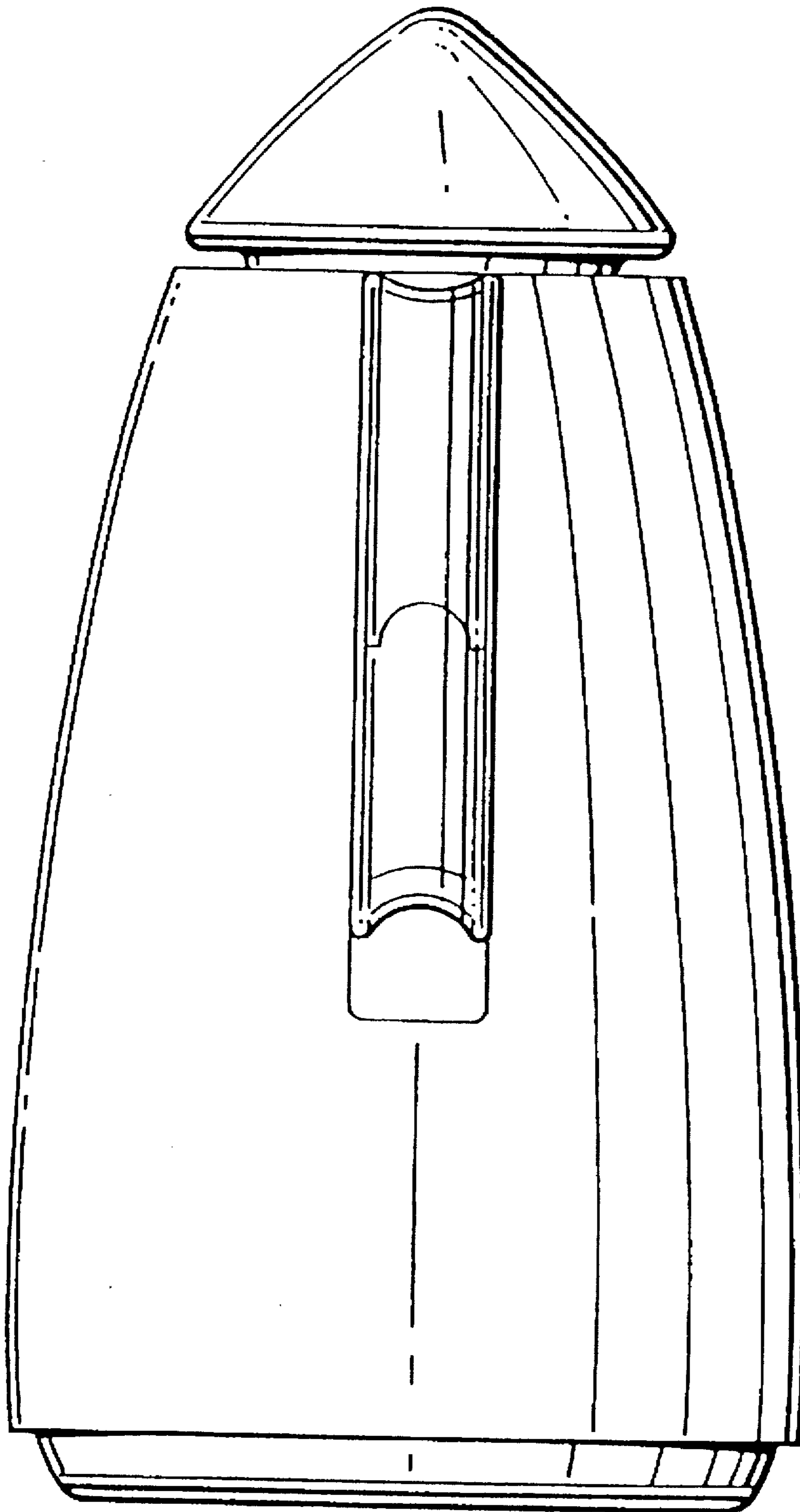


FIG. 4

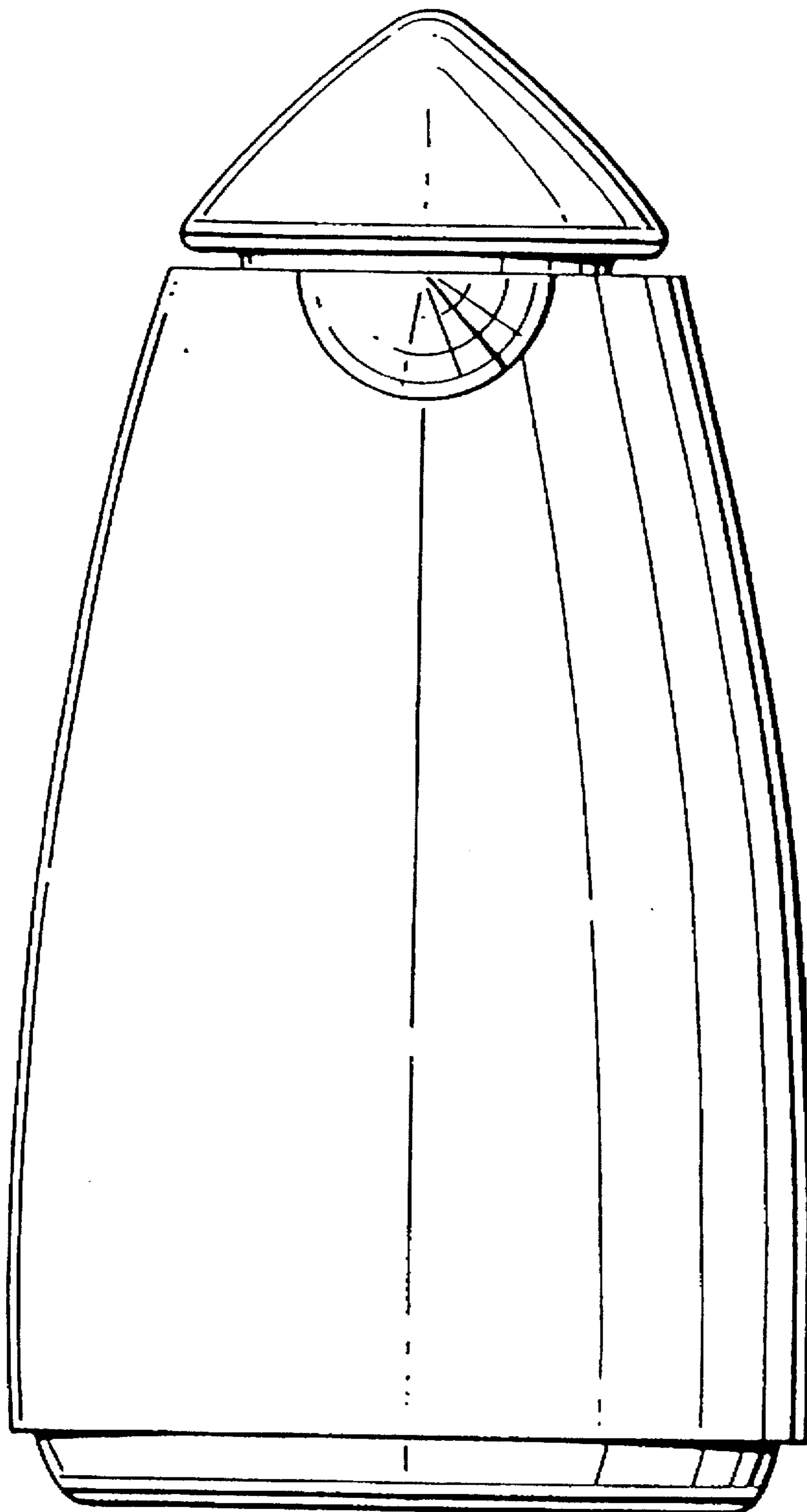


FIG. 5

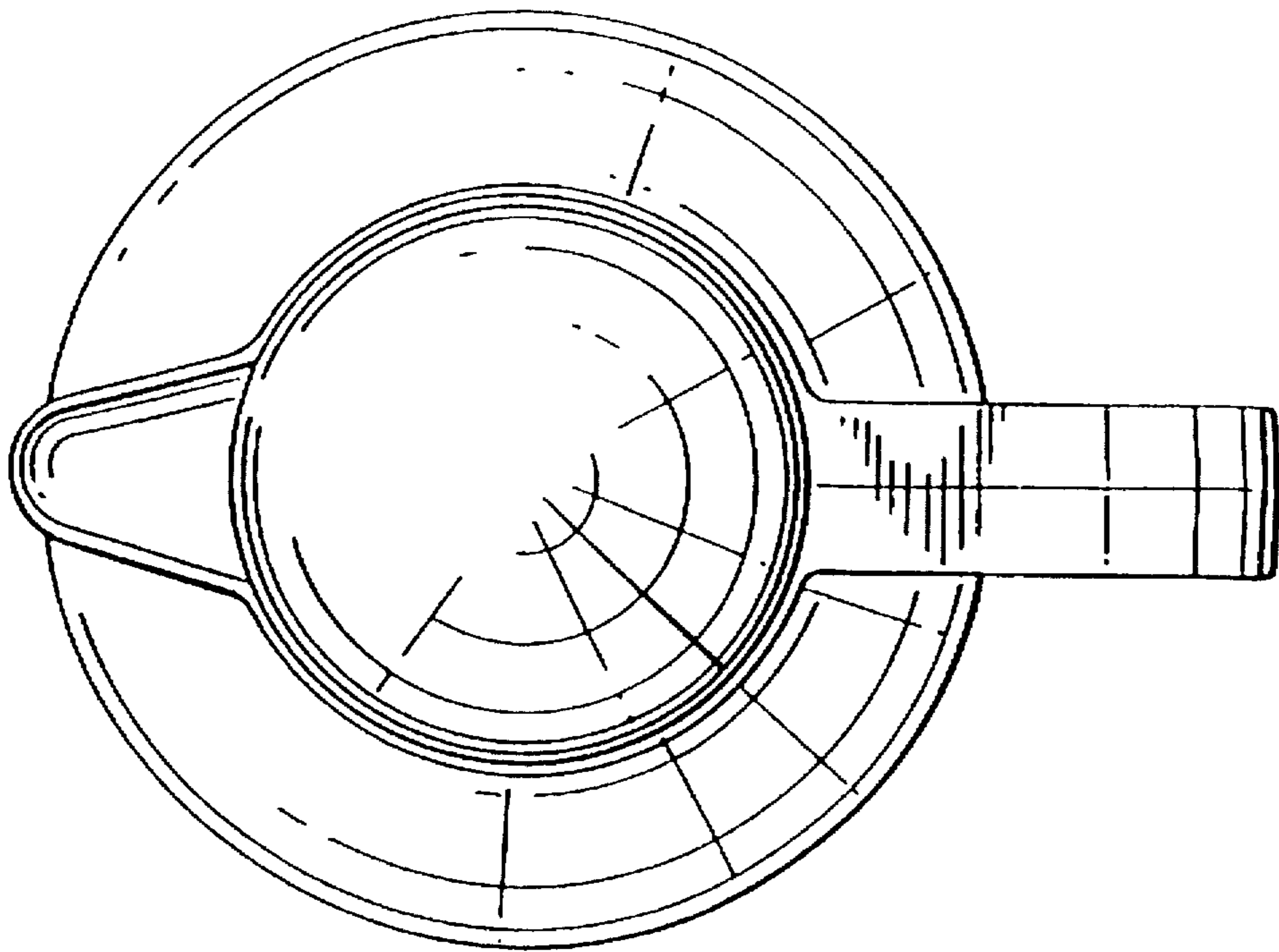


FIG. 6

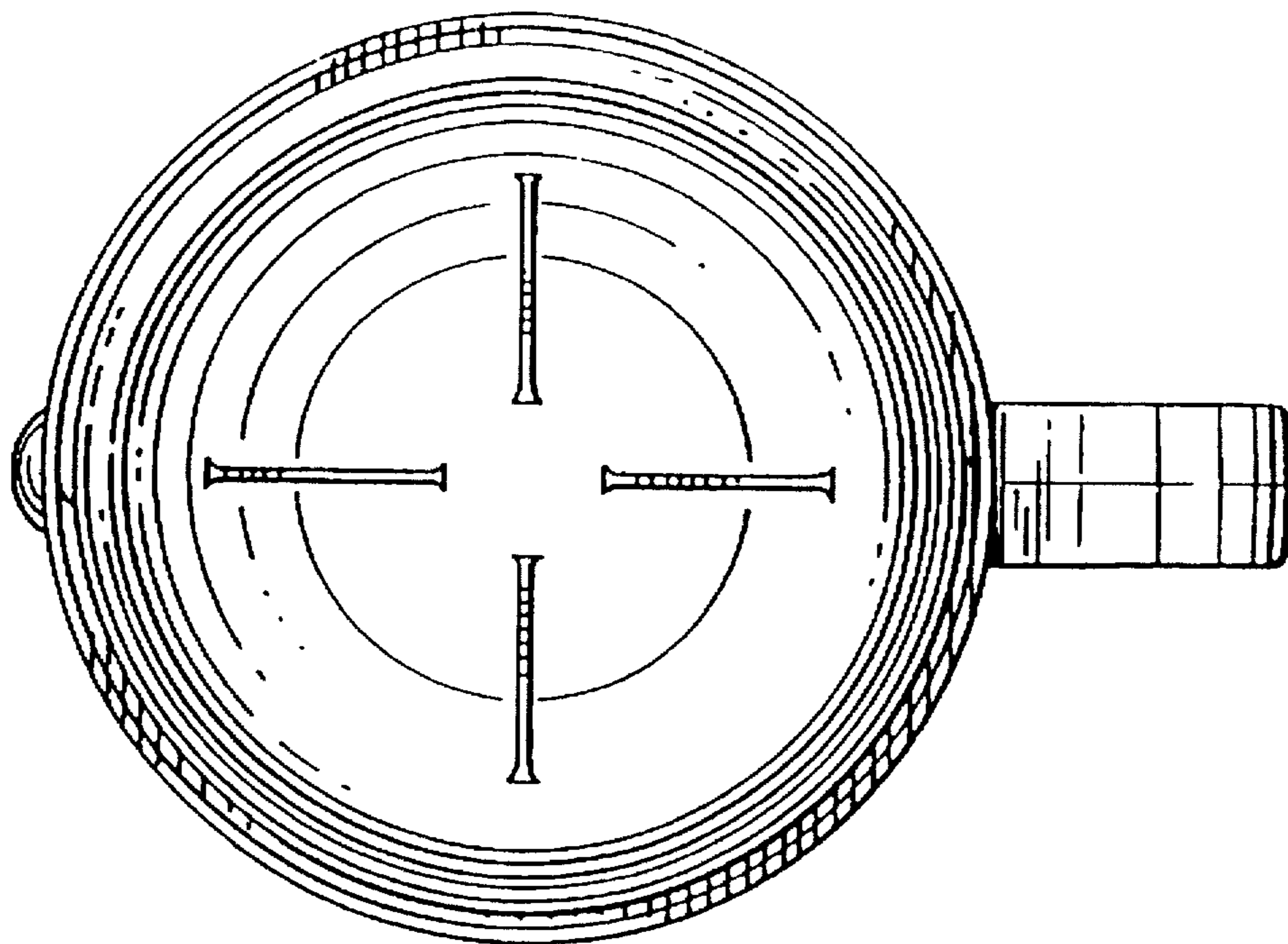


FIG. 7

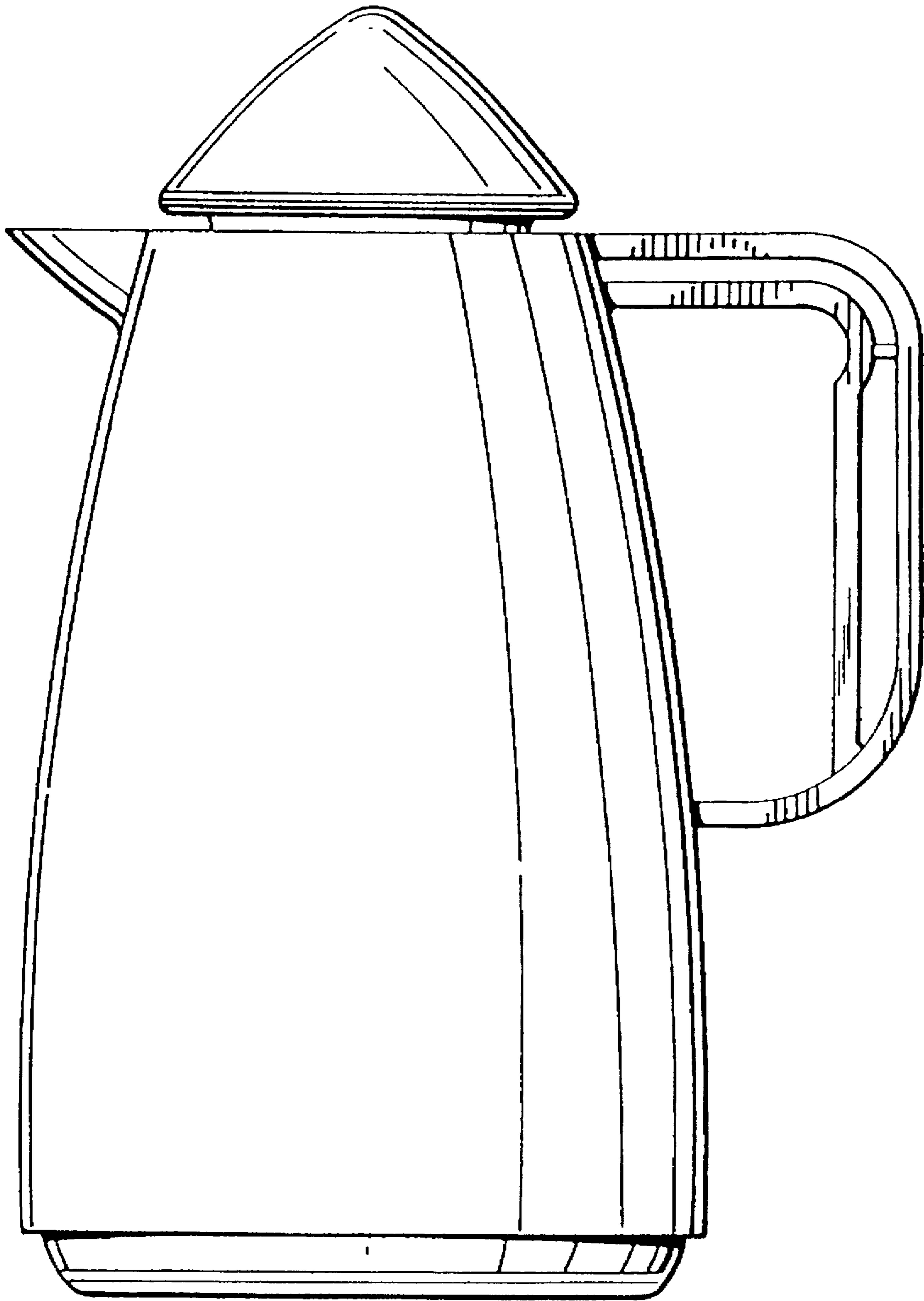


FIG. 8

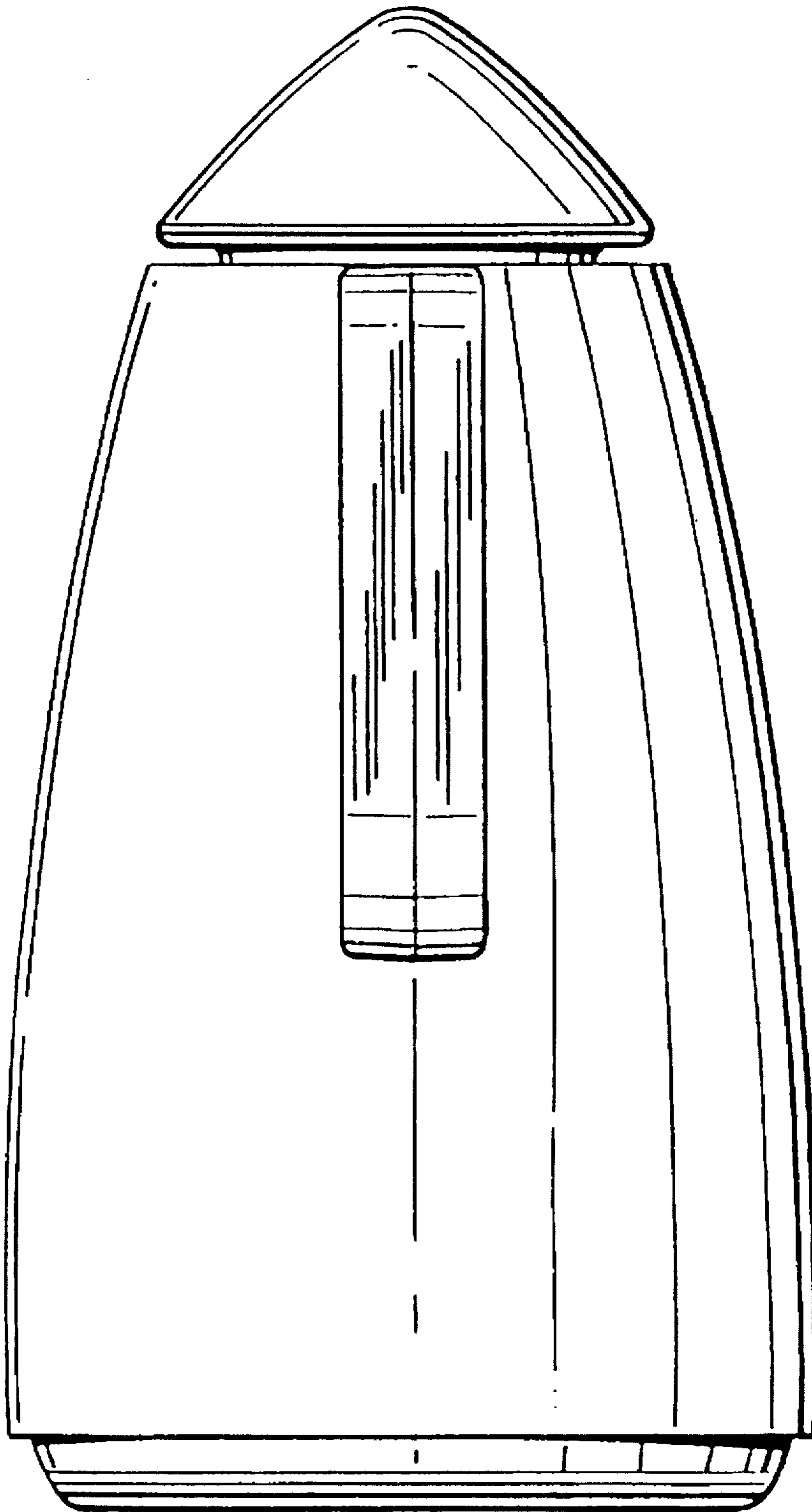


FIG. 9



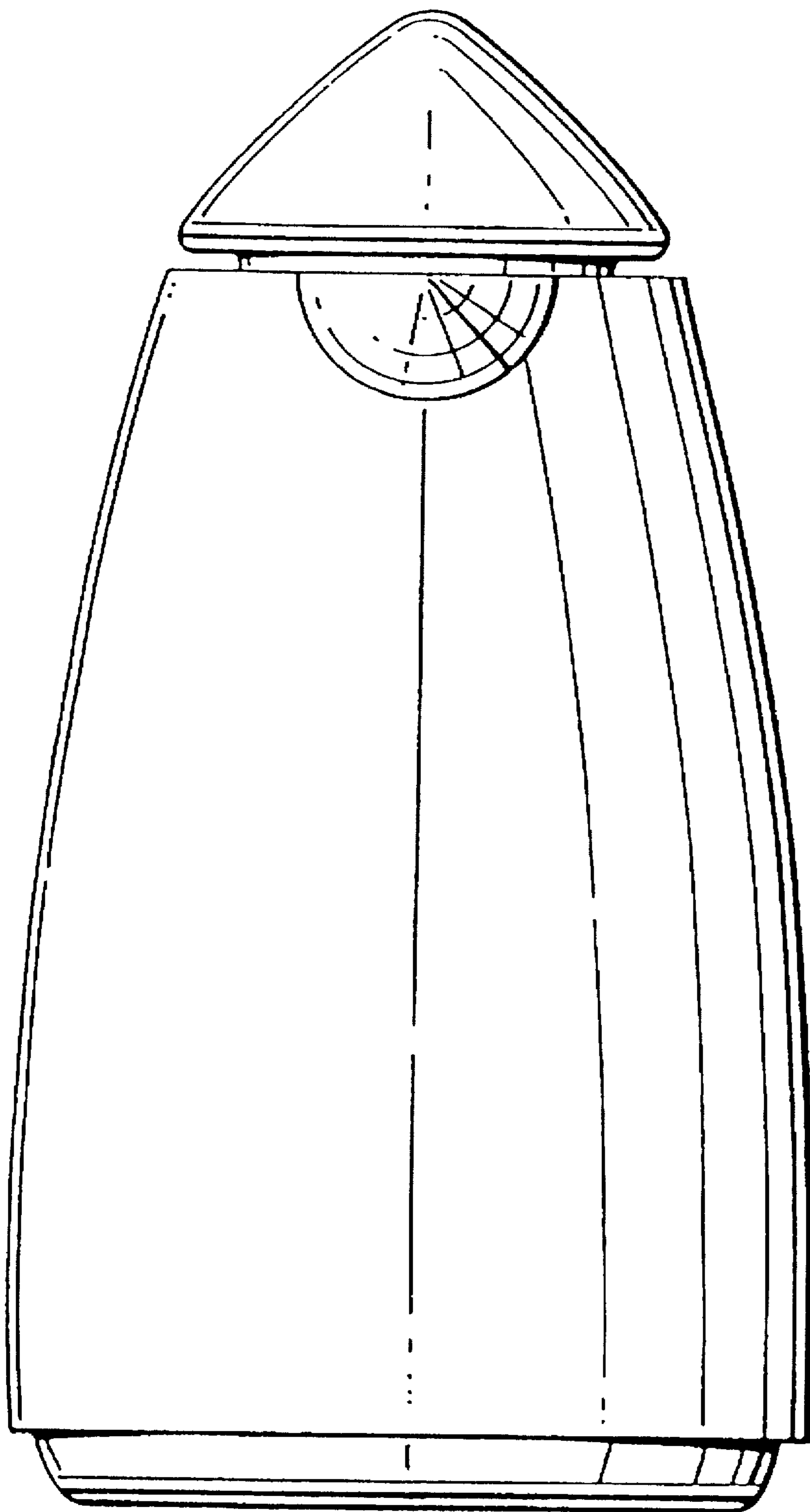


FIG. 10