



US00D387943S

# United States Patent [19]

Fink

[11] Patent Number: Des. 387,943

[45] Date of Patent: \*\*Dec. 23, 1997

[54] STORAGE UNIT FOR COMPACT DISKS, AUDIO CASSETTES AND THE LIKE

[76] Inventor: Roger F. Fink, 14 Orchard St., Greenfield, Mass. 01301

[\*\*] Term: 14 Years

[21] Appl. No.: 61,758

[22] Filed: Oct. 30, 1996

[51] LOC (6) Cl. .... 06-04

[52] U.S. Cl. .... D6/630; D6/458

[58] Field of Search ..... D6/407, 455, 626-630, D6/457, 458, 415, 462-465; 211/40-42, 163; 206/308.1, 307, 309, 307.1, 387.1, 387.15, 454, 445

### [56] References Cited

#### U.S. PATENT DOCUMENTS

D. 82,082	9/1930	Finch	.....	D6/458
D. 213,343	2/1969	Stulman	.....	D6/407
D. 224,061	6/1972	Larson	.....	D6/457
D. 279,045	6/1985	Hall	.....	D6/407
D. 292,644	11/1987	Hall et al.	.....	D6/629
D. 312,737	12/1990	Glassenberg	.....	D6/415
D. 358,279	5/1995	Ackley et al.	.....	D6/407 X
628,943	7/1899	Kasik	.	
3,243,047	3/1966	Witteborg	.....	211/41
3,931,894	1/1976	Murphy	.	
4,296,866	10/1981	Leanard	.....	211/163 X
4,322,007	3/1982	Feibelman	.....	211/163
4,815,795	3/1989	Accumanno et al.	.	
5,117,984	6/1992	Kennedy	.	
5,232,102	8/1993	Ozawa	.	
5,346,079	9/1994	Price, Jr. et al.	.	
5,547,085	8/1996	Gaus	.	

#### OTHER PUBLICATIONS

Rebecca Day, CD Storage, Stereo Review, Jan., 1997, pp. 85 and 87-89.

Stuart Townsend Carr Catalog for Revolving Racks, P.O. Box 373, Limington, Maine no date available.

Stereo Review Buyers' Guide 1997, two pages from classified advertisements.

J & R Music World Catalog, Winter 1996 pp. 144 and 152.

Stereo Review, Nov., 1996 two pages from classified advertisements.

Audio Magazine; Sep. 1996, pp. 96-97; Audio Publishing; USA.

Primary Examiner—Jeffrey Asch

Attorney, Agent, or Firm—Ware, Fressola, Van Der Sluys & Adolphson LLP

### [57] CLAIM

The ornamental design for a storage unit for compact disks, audio cassettes and the like, as shown and described.

### DESCRIPTION

FIG. 1 is a perspective view of a first embodiment of a storage unit for compact disks, audio cassettes and the like showing my new design;

FIG. 2 is a typical side elevational thereof;

FIG. 3 is a top plan view thereof;

FIG. 4 is a bottom plan view thereof;

FIG. 5 is a perspective view of a second embodiment of that shown in FIG. 1;

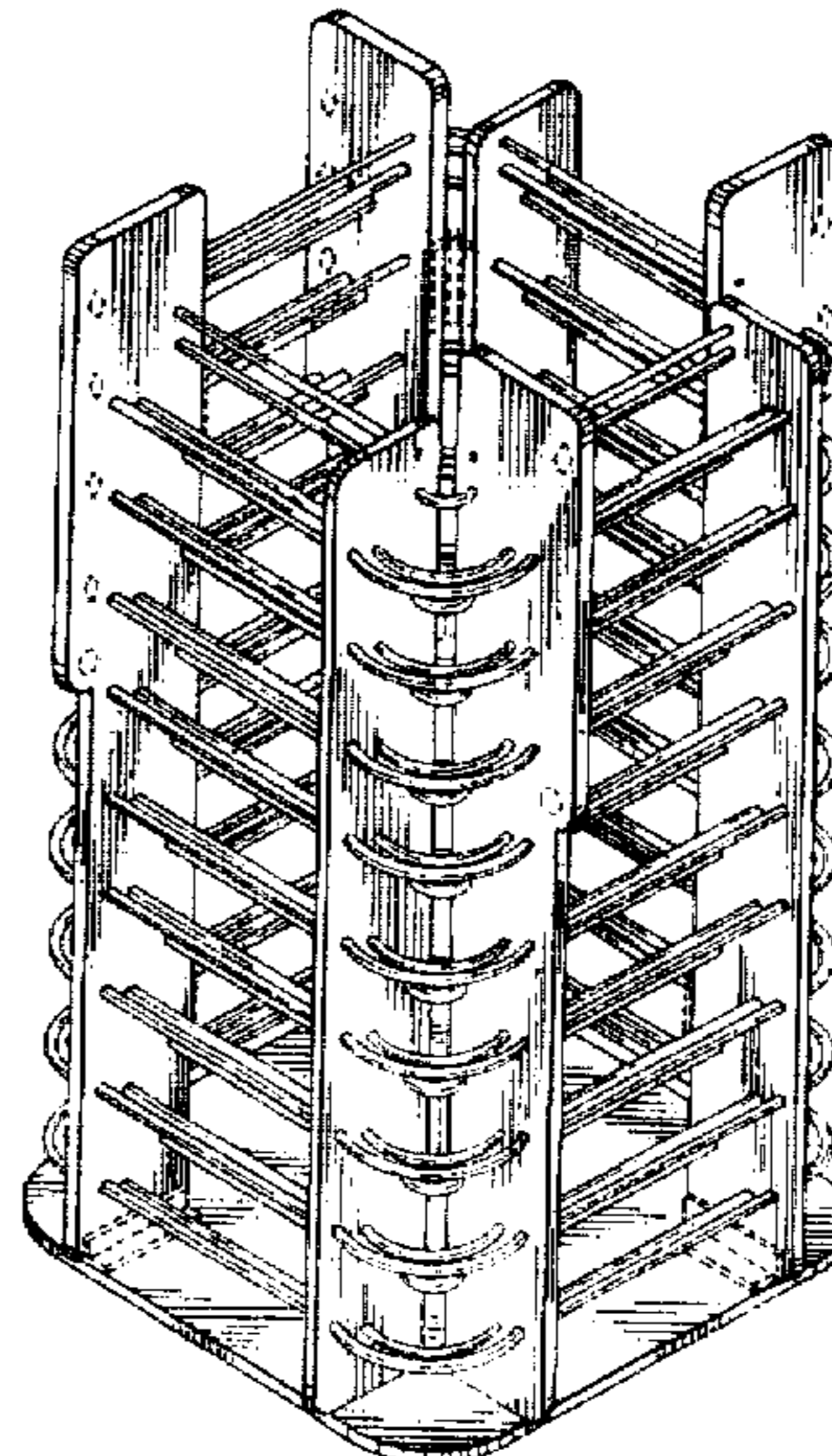
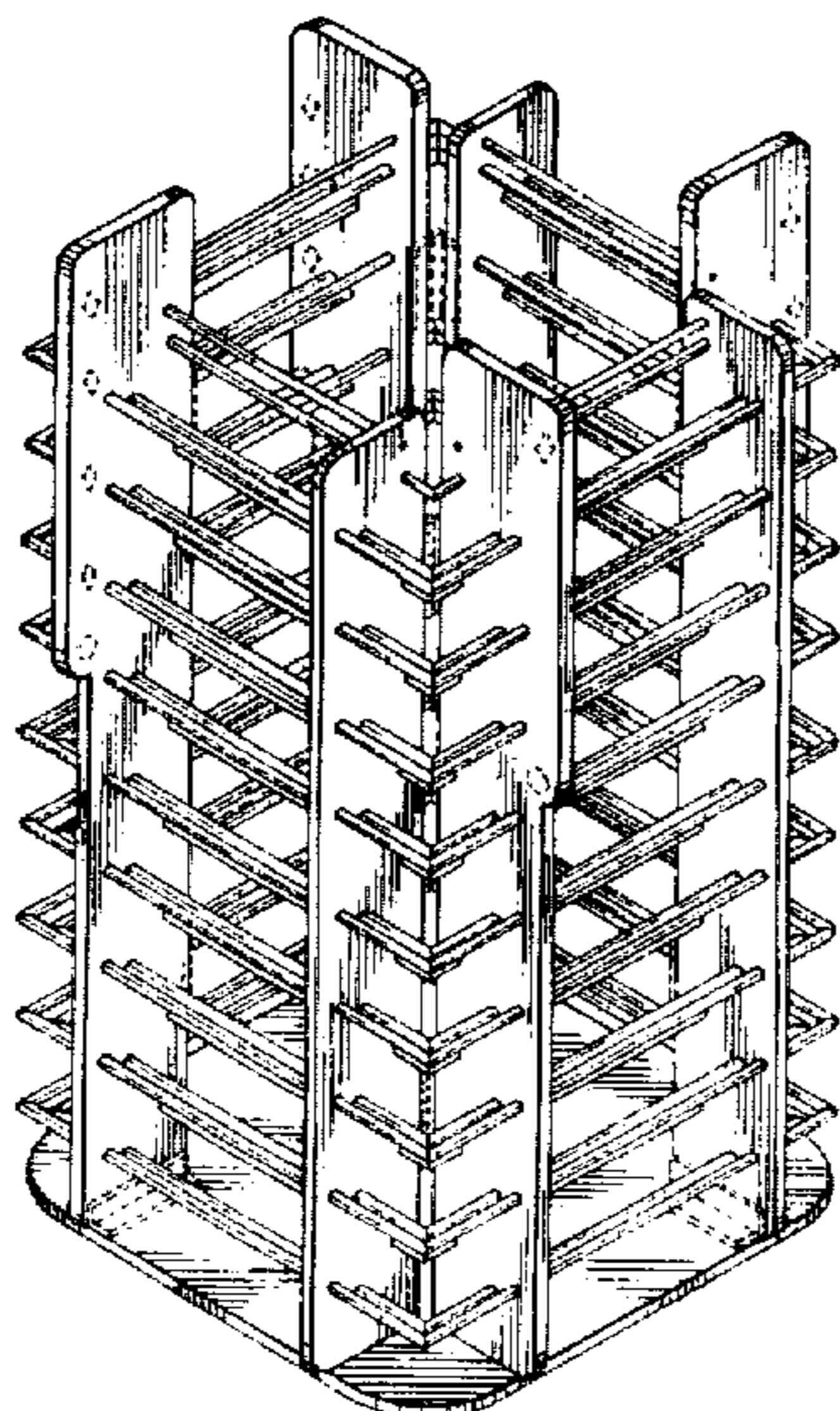
FIG. 6 is a typical side elevational thereof;

FIG. 7 is a top plan view thereof; and,

FIG. 8 is a bottom plan view thereof.

The broken line showings throughout the views are for illustrative purposes only and form no part of the claimed design.

1 Claim, 6 Drawing Sheets



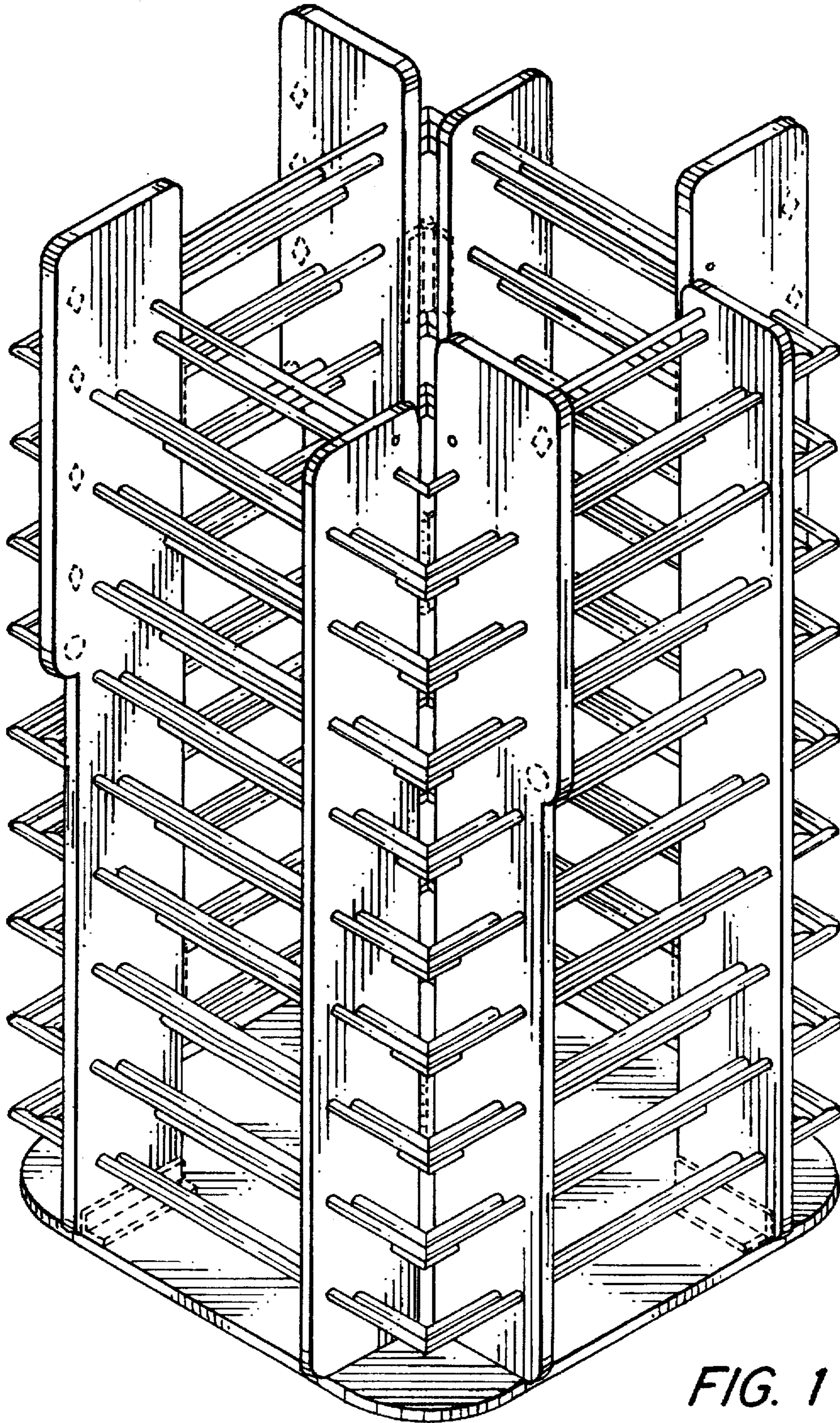


FIG. 1

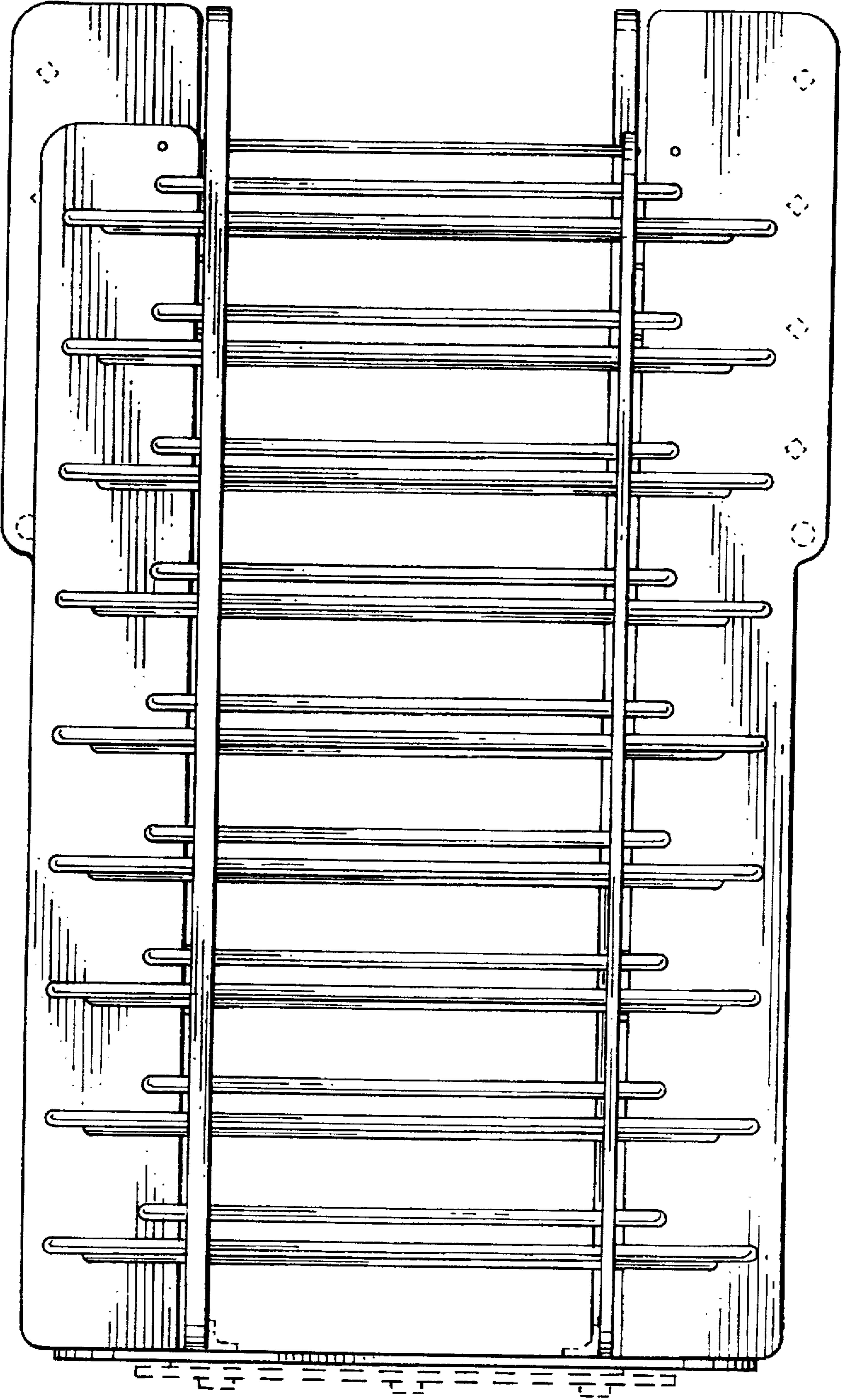


FIG. 2

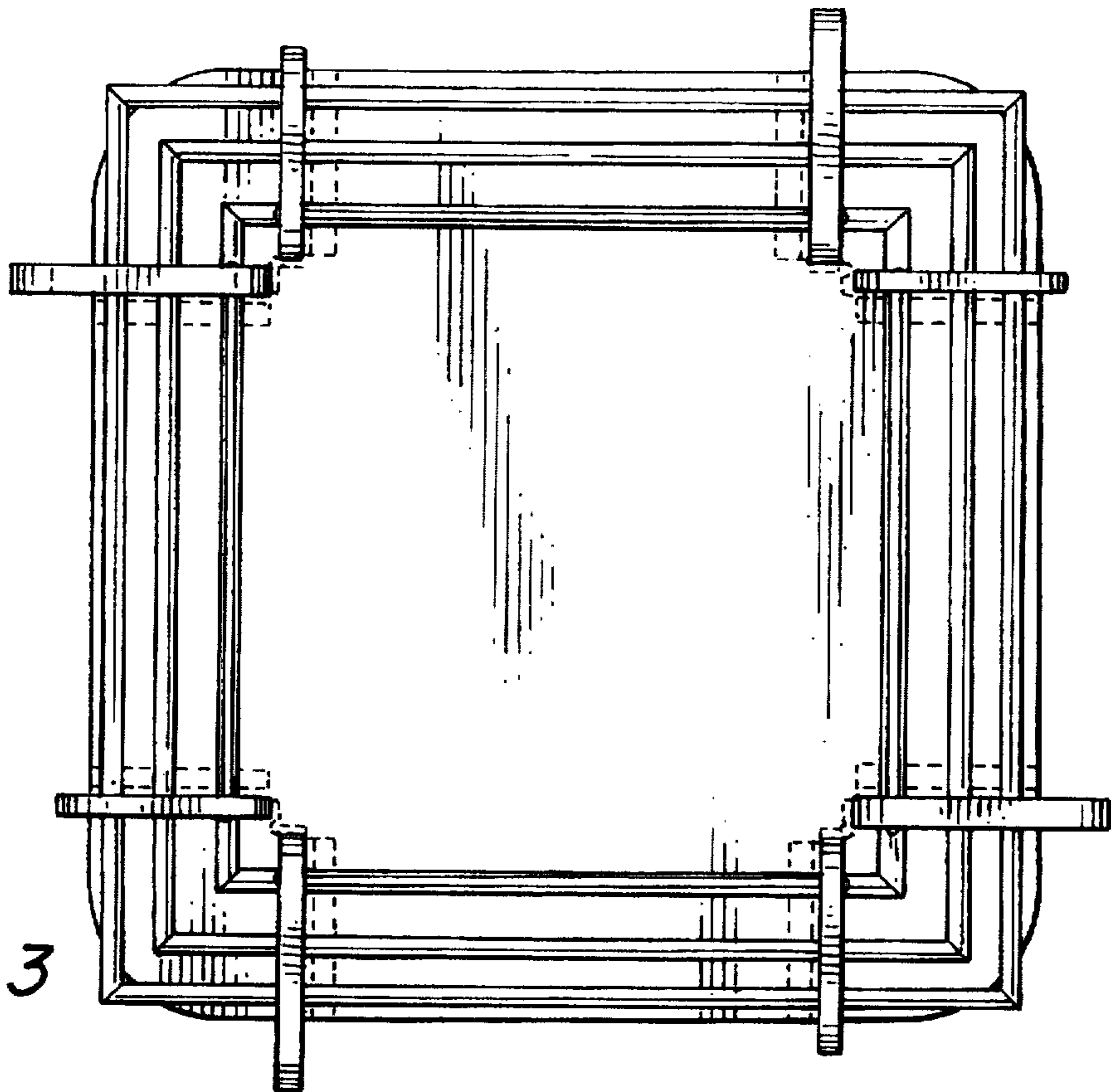


FIG. 3

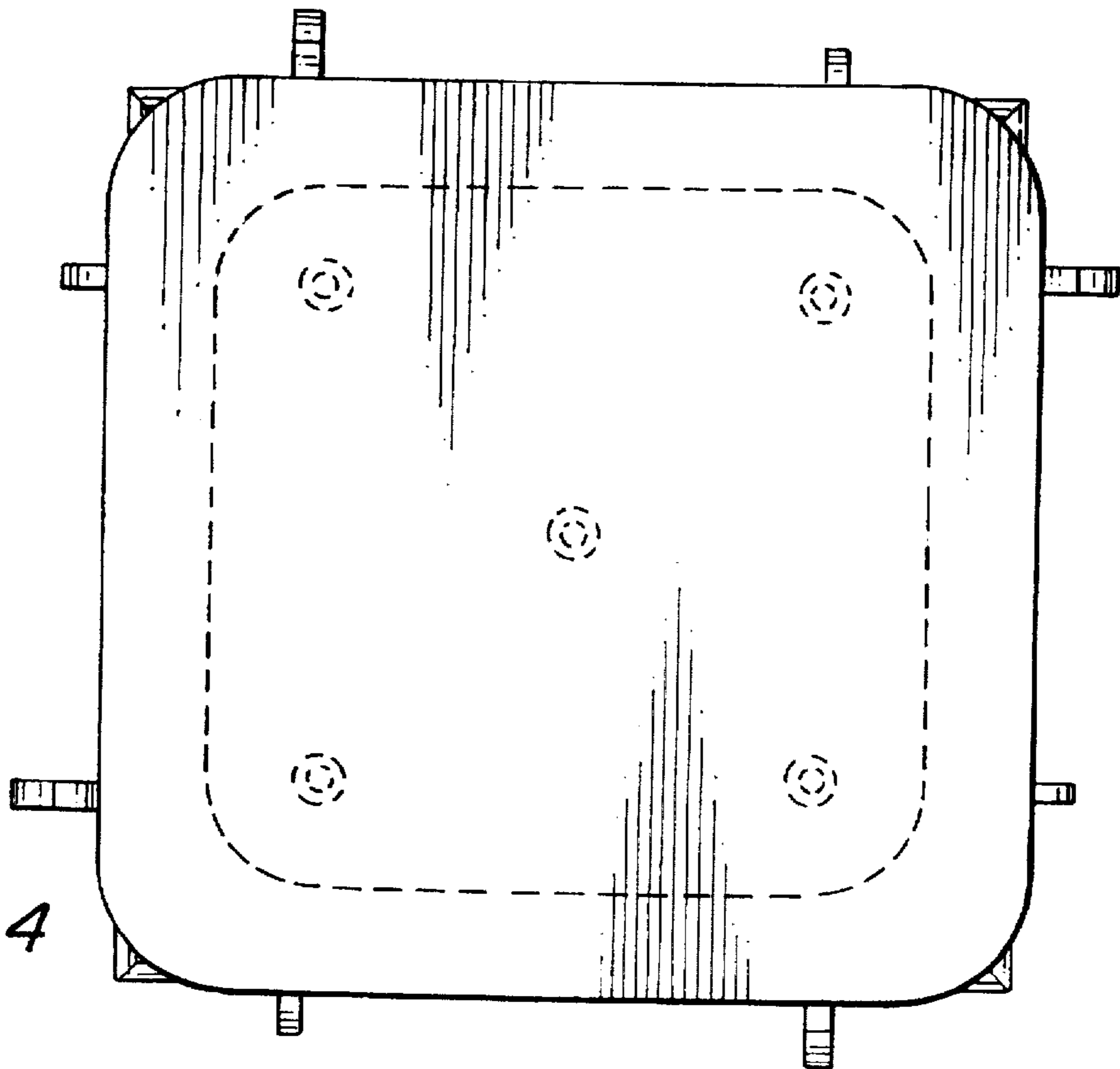


FIG. 4

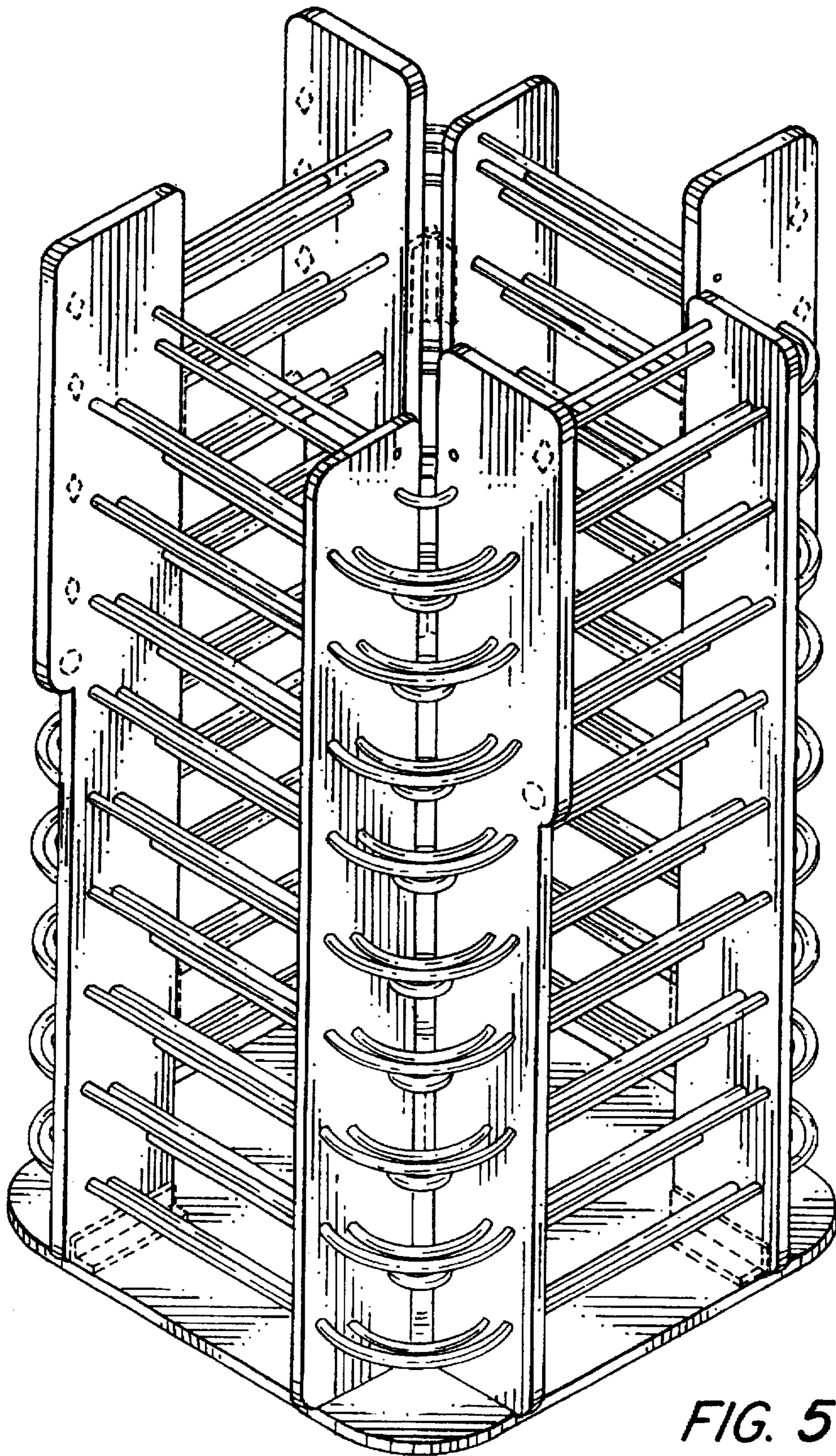


FIG. 5

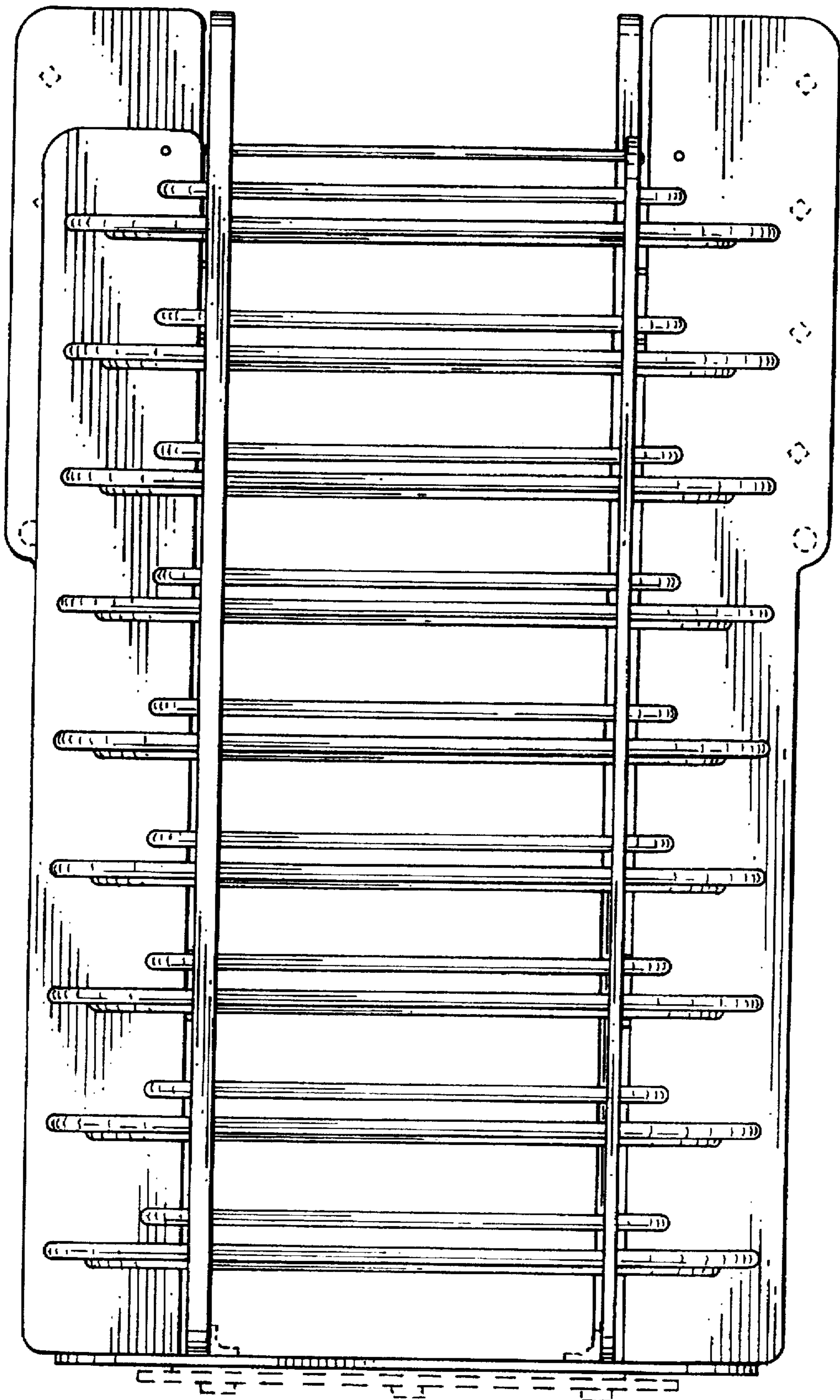


FIG. 6

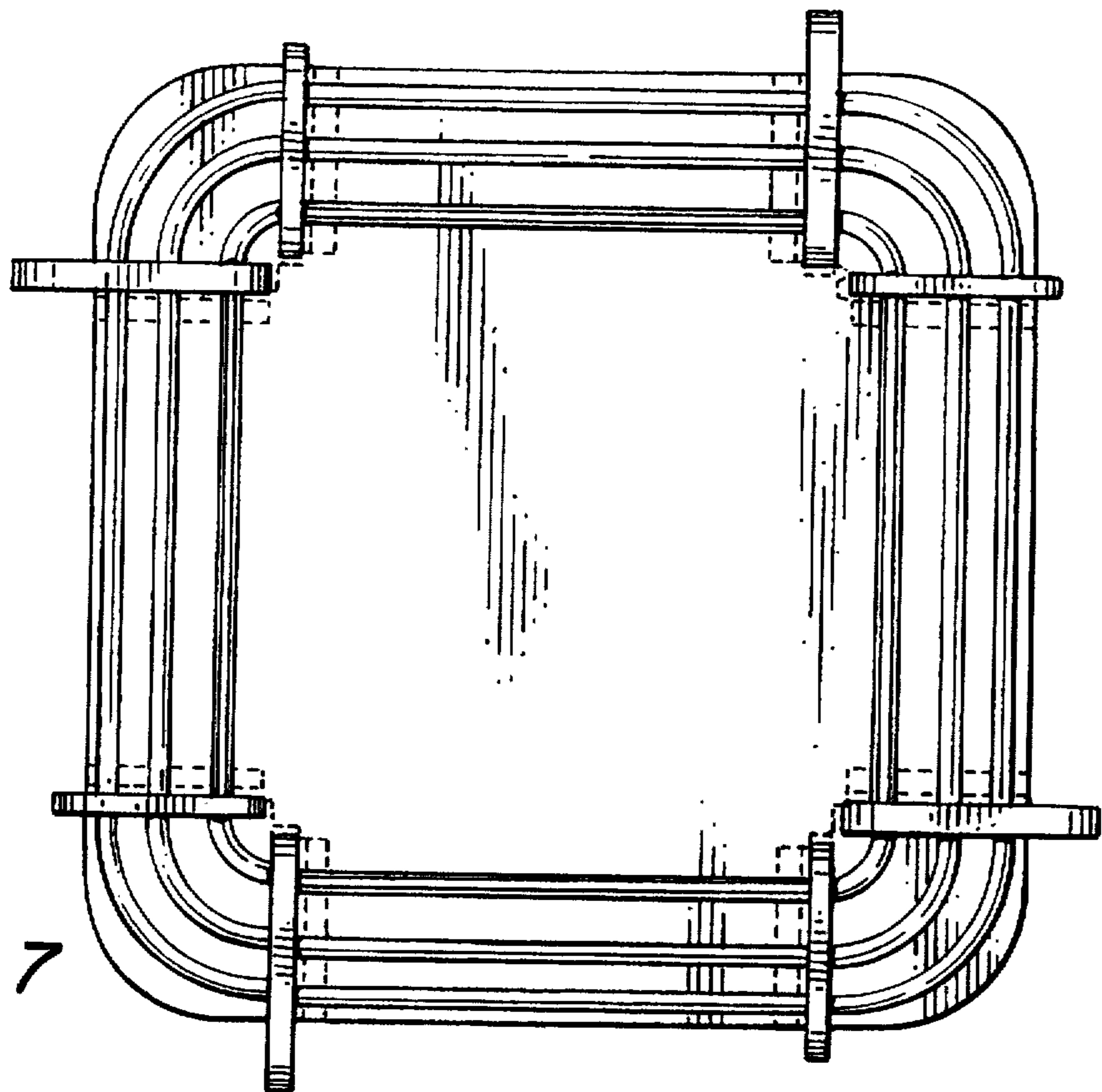


FIG. 7

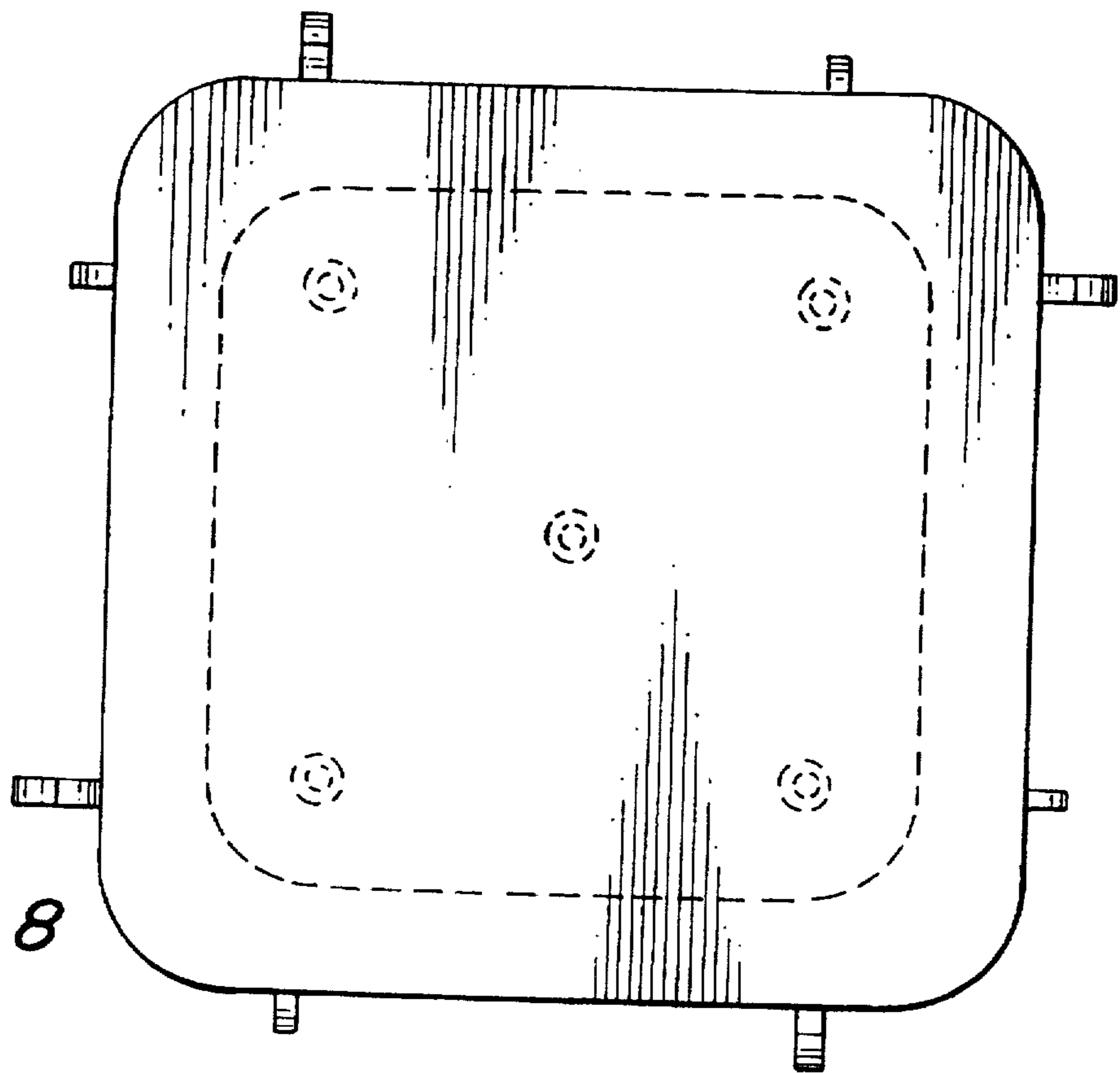


FIG. 8