

US00D387942S

United States Patent [19]
Dardashti

[11] **Patent Number: Des. 387,942**
[45] **Date of Patent: **Dec. 23, 1997**

[54] **DOUBLE COLUMN STORAGE TOWER**

[76] **Inventor: Shahriar Dardashti**, c/o Atlantic Representations, Inc., P.O. Box 2399, Santa Fe Springs, Calif. 90670

[**] **Term: 14 Years**

[21] **Appl. No.: 56,860**

[22] **Filed: Jul. 10, 1996**

[51] **LOC (6) Cl. 06-04**

[52] **U.S. Cl. D6/630; D6/465**

[58] **Field of Search D6/407, 408, 626-630, D6/466-468, 462-465, 476, 457, 458; 211/40-42, 181; 206/503, 509, 307, 309, 307.1, 308.1, 387.1, 387.15, 445, 454; 312/9.48, 9.53, 9.47, 9.1, 9.64**

[56] **References Cited**

U.S. PATENT DOCUMENTS

D. 173,883	1/1955	Postal	D6/465
D. 343,533	1/1994	David	D6/407
D. 352,848	11/1994	Dardashti	D6/465
D. 356,701	3/1995	Chu	D6/407
D. 367,188	2/1996	Levine	D6/407
4,632,259	12/1986	Cameron	211/41 X
4,966,278	10/1990	Rosi et al.	211/40 X
5,370,242	12/1994	Huang	211/40

OTHER PUBLICATIONS

Atlantic-Wire Storage Racks (Item Nos. 1209, 1229, 1230) Copyright 1994.

Atlantic-Wire Storage Racks and Video Games Storage Racks (Model Nos. 1248, 1229, 1209, 1230, 1231, 1235, 1236, 1240, 1237) Copyright 1994.

Atlantic Wire Tower Compact Disc Storage System (Item No. 1209) Copyright 1991.

Atlantic-CD Storage (Item No. 1209) Copyright 1991.

Primary Examiner—Jeffrey Asch
Attorney, Agent, or Firm—Oppenheimer Poms Smith

[57] **CLAIM**

The ornamental design for a double column storage tower, as shown and described.

DESCRIPTION

FIG. 1 is a perspective view of a double column storage tower of the present invention;
FIG. 2 is a front elevational view thereof;
FIG. 3 is a right side elevational view thereof; the left side elevational view being a mirror image thereof;
FIG. 4 is a rear elevational view thereof;
FIG. 5 is a top plan view thereof;
FIG. 6 is a bottom plan view thereof;
FIG. 7 is an enlarged perspective view of the base illustrated in isolation;
FIG. 8 is a top plan view thereof;
FIG. 9 is a front elevational view thereof;
FIG. 10 is a right side elevational view thereof; the left side elevational view being a mirror image thereof;
FIG. 11 is a bottom plan view thereof; and,
FIG. 12 is a rear elevational view thereof.

The dotted line showings in the drawings of stored cases and ground lines are for environmental purposes only and form no part of the claimed design. Also, the article is illustrated in an orientation as if supported on a surface sloping slightly forwardly; this surface is shown at the base of FIG. 3; if it had been illustrated supported on a flat horizontal surface, it would be sloping backwards slightly; thus, the article is illustrated in a vertical upright orientation for the sake of clarity.

The base has been shown separately in FIGS. 7-12 for convenience of illustration.

1 Claim, 5 Drawing Sheets

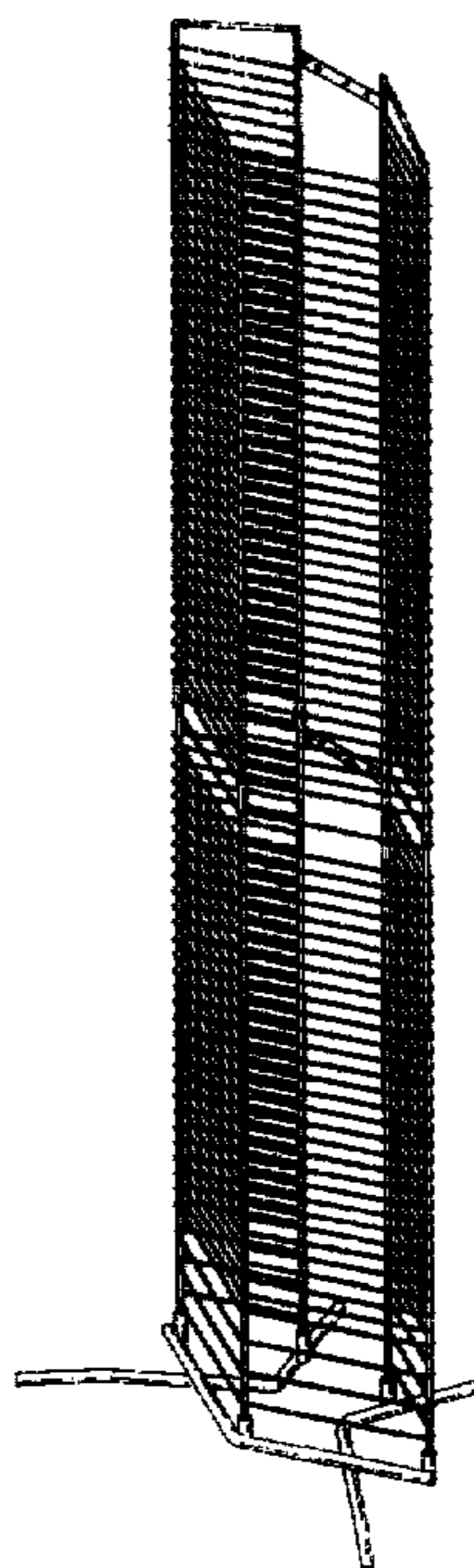
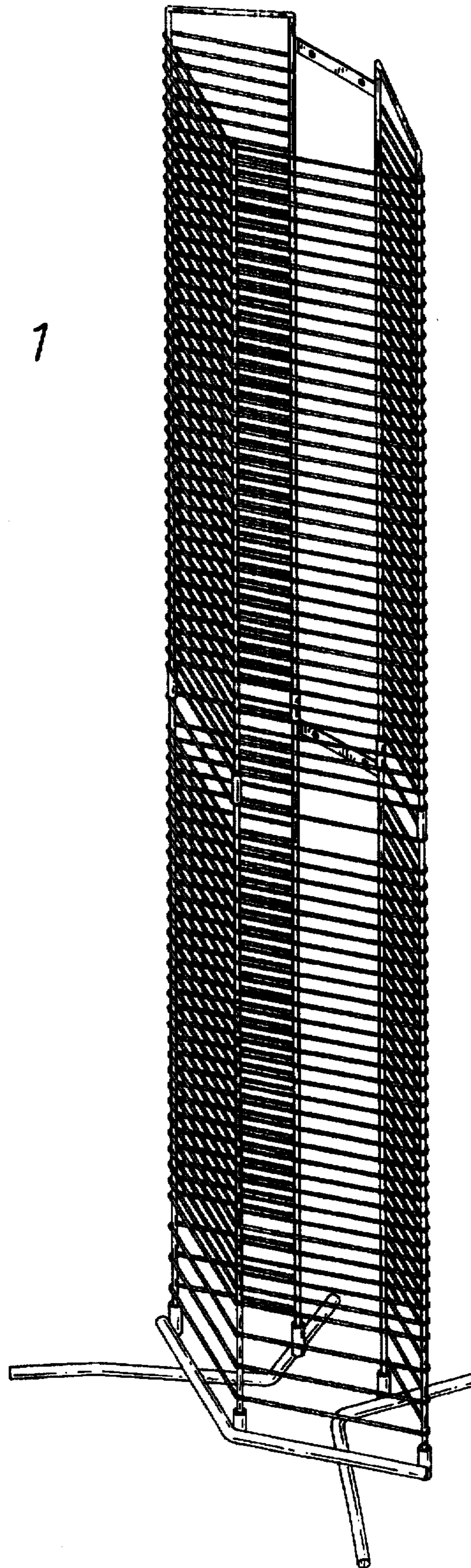


FIG. 1



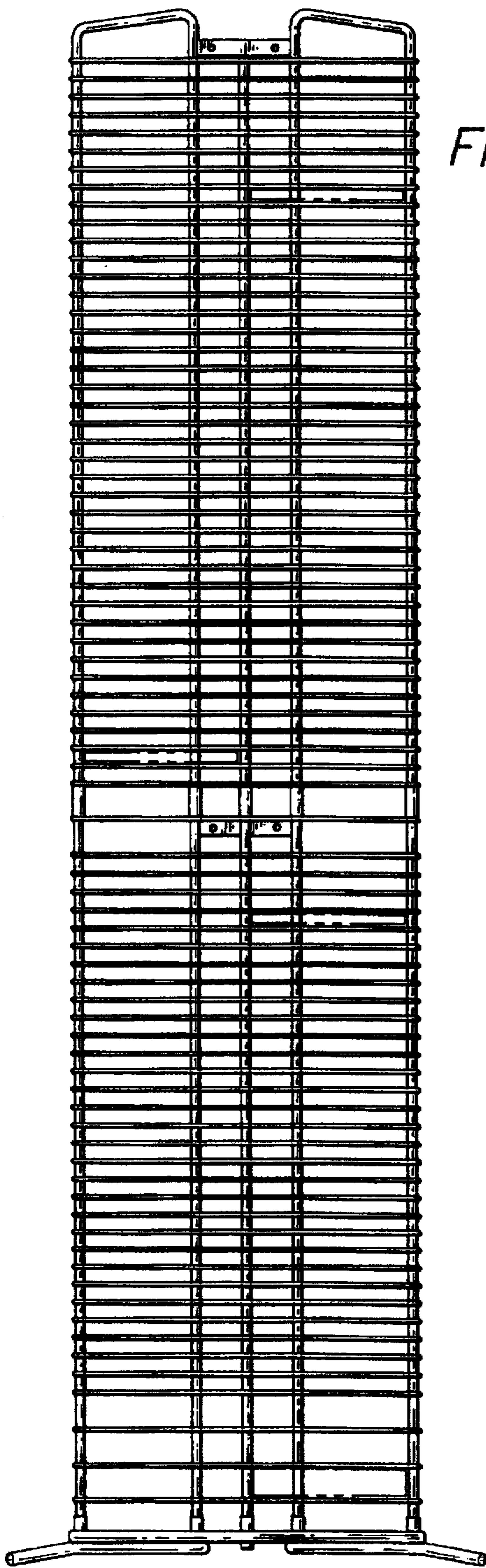
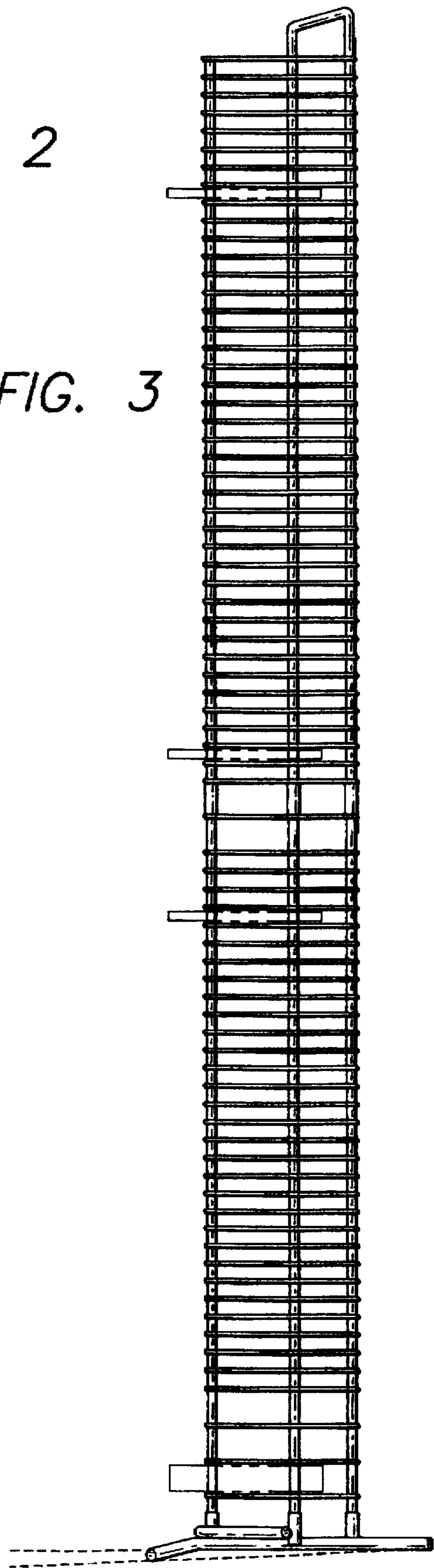


FIG. 2

FIG. 3



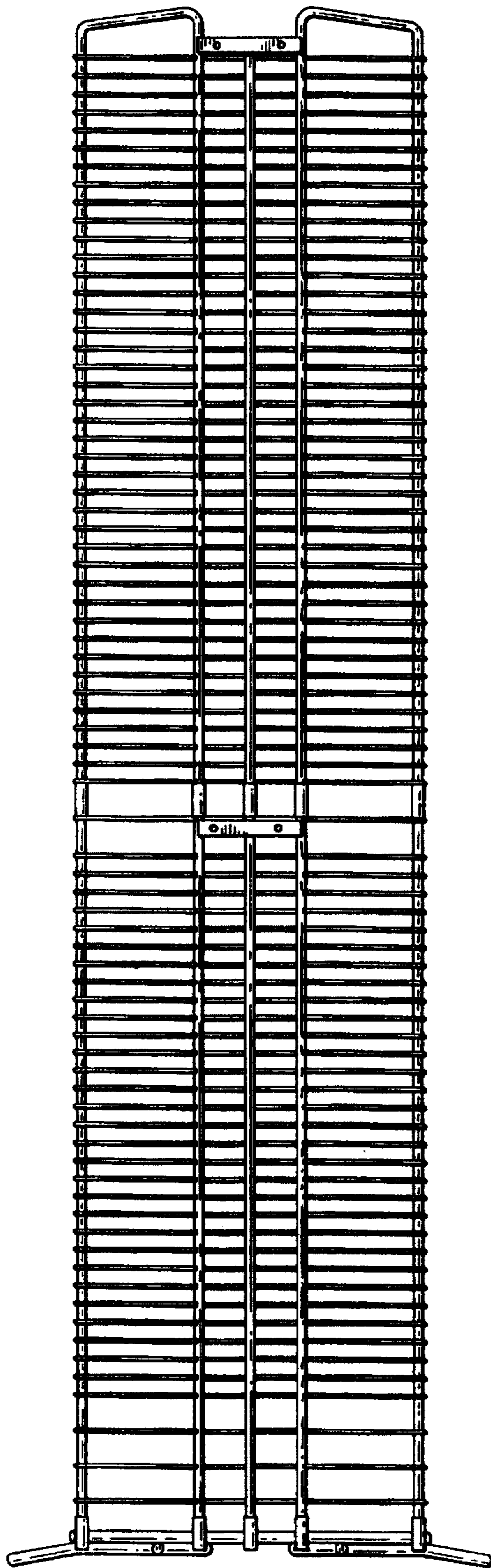


FIG. 4

FIG. 5

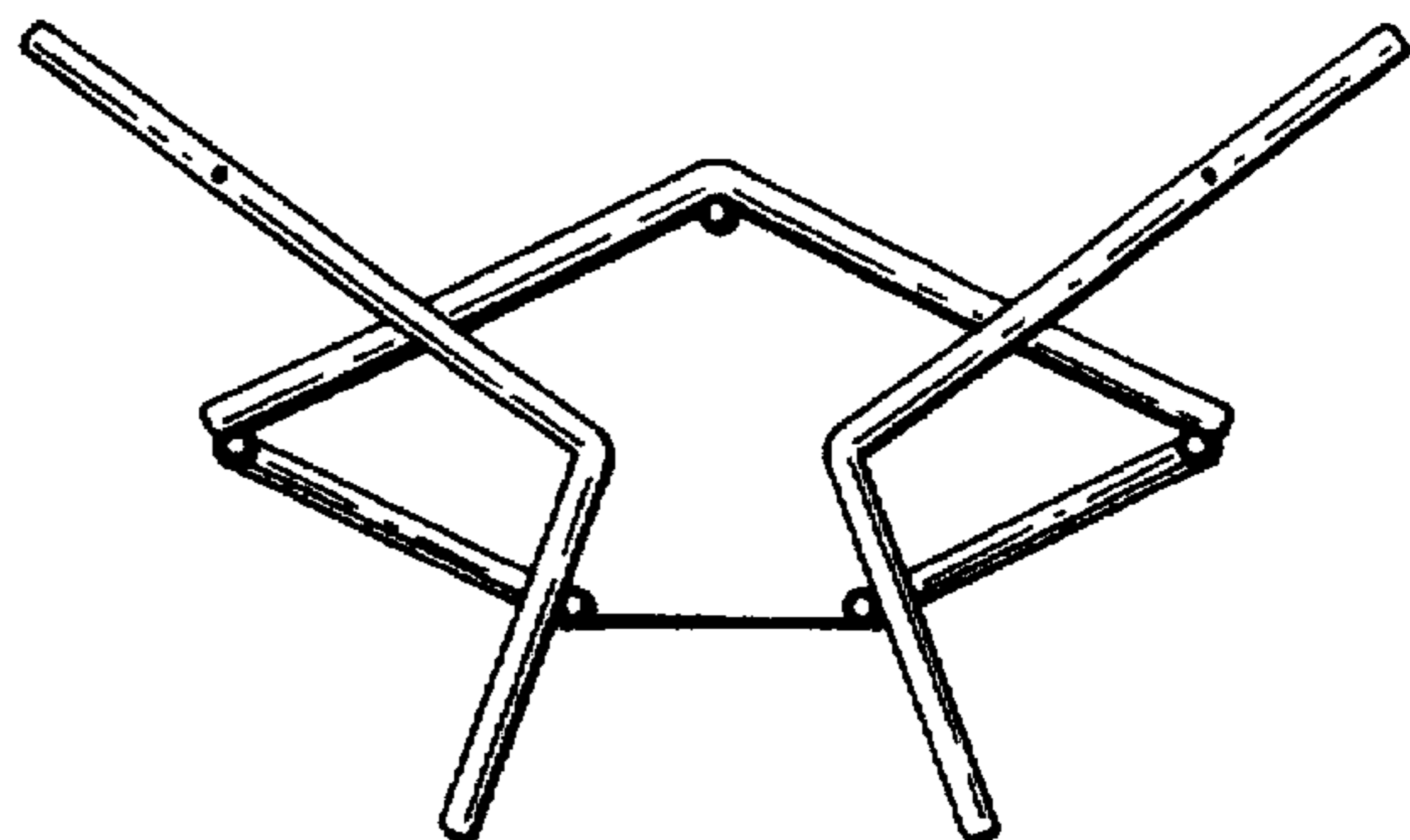
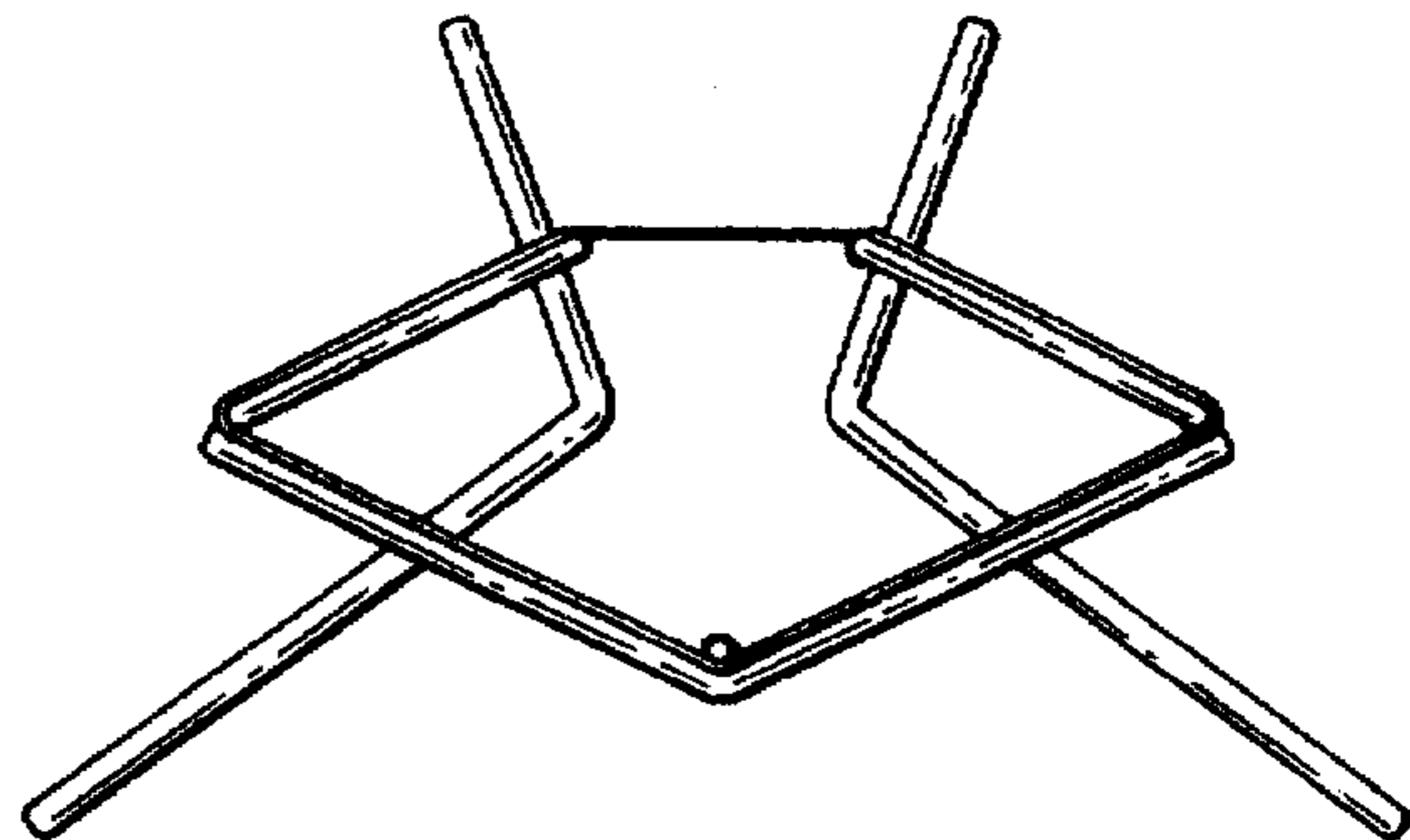


FIG. 6

FIG. 7

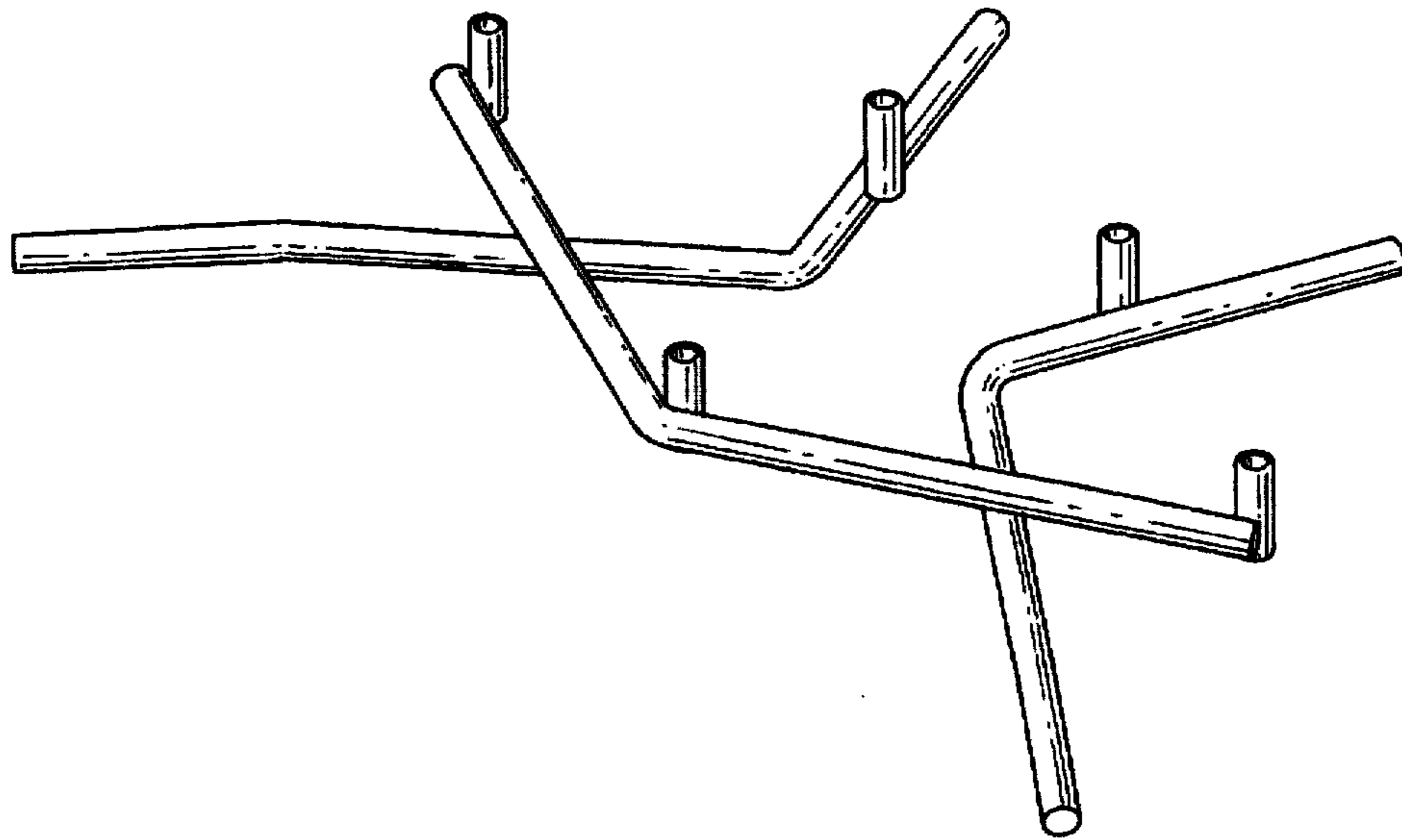


FIG. 8

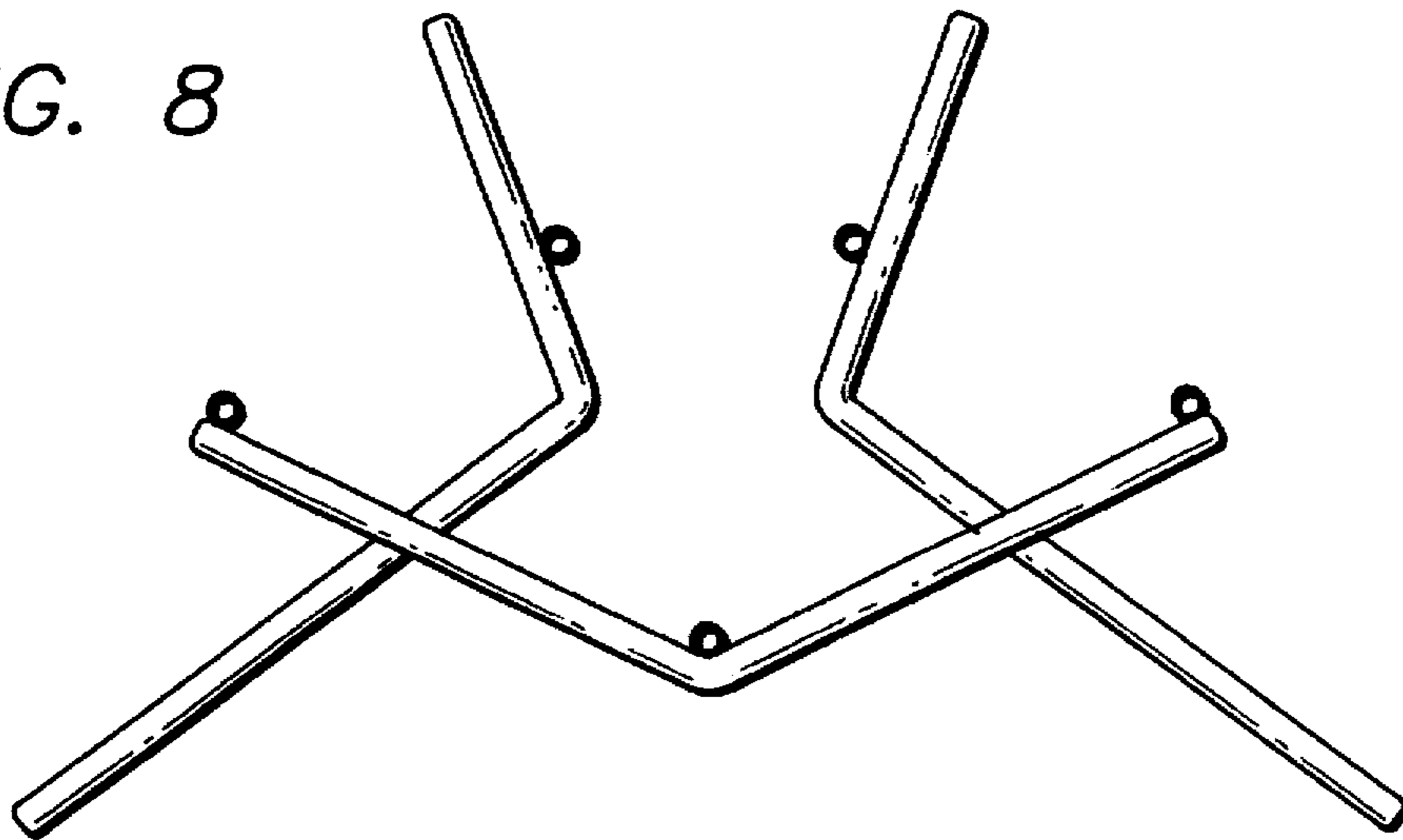


FIG. 9

FIG. 10



FIG. 11

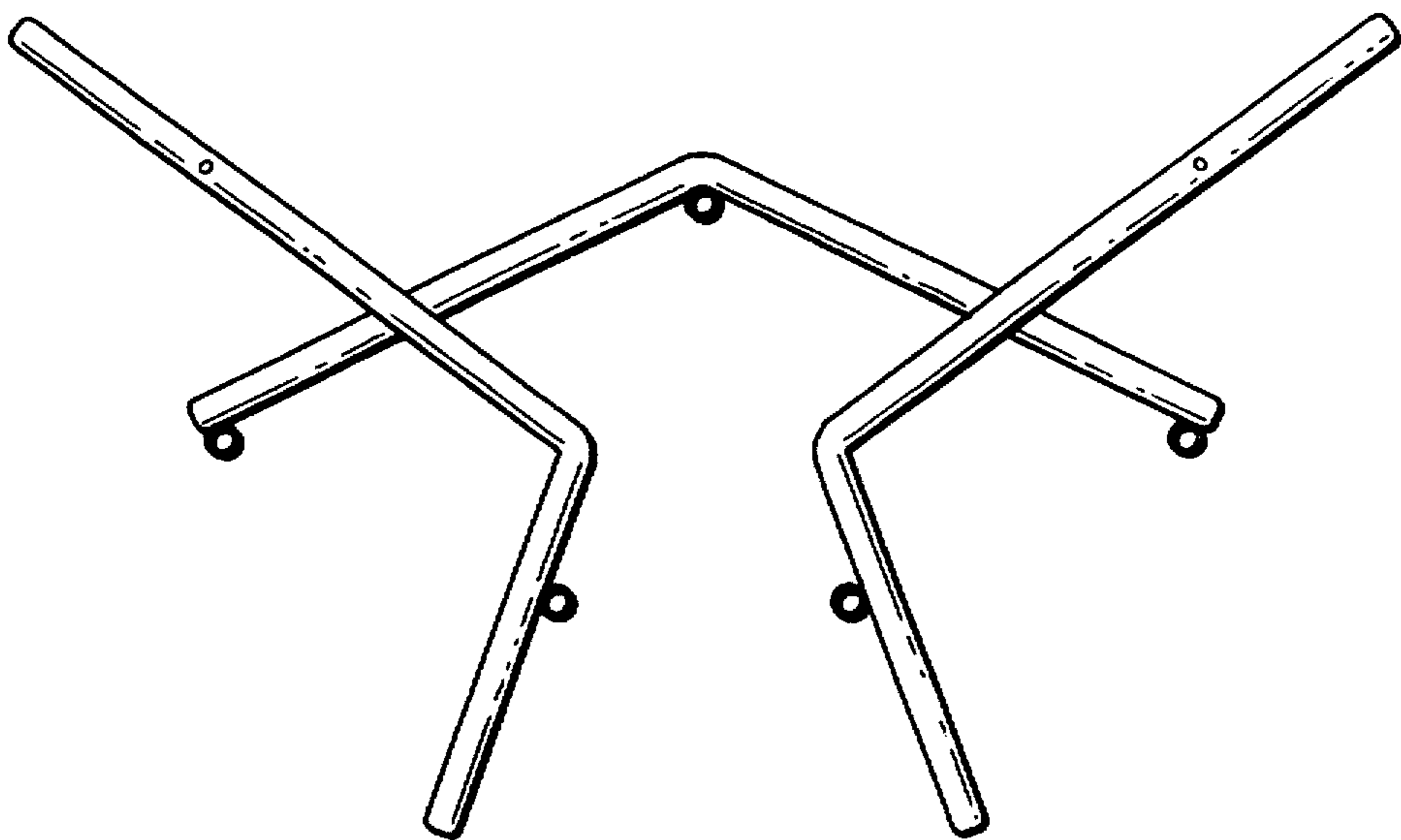


FIG. 12

