



US00D387940S

# United States Patent [19]

Bruner et al.

[11] Patent Number: **Des. 387,940**

[45] Date of Patent: **\*\*Dec. 23, 1997**

[54] **DISPOSABLE VEHICLE SEAT SHIELD**

[76] Inventors: **Jeanie Bruner; Richard S. Bruner,**  
both of 17604 Camelot Dr., Lowell, Ind.  
46356

[\*\*] Term: **14 Years**

[21] Appl. No.: **60,455**

[22] Filed: **Sep. 30, 1996**

[51] LOC (6) Cl. .... **06-13**

[52] U.S. Cl. .... **D6/611**

[58] Field of Search ..... D6/501-502, 368,  
D6/610, 611; D12/400; 297/218-219, 229

[56] **References Cited**

**U.S. PATENT DOCUMENTS**

- D. 164,000 7/1951 Herman ..... D6/611
- D. 170,932 11/1953 Marston ..... D6/611
- D. 315,837 4/1991 Bernon ..... D6/501 X
- D. 367,033 2/1996 Phirippidis ..... D12/400
- D. 368,809 4/1996 Fields ..... D6/368

- 974,865 11/1910 Dreher ..... 297/229
- 1,208,121 12/1916 Fitzgerald ..... 297/219
- 3,069,203 12/1962 Pocopus ..... 297/229 X

*Primary Examiner*—Nelson C. Holtje  
*Attorney, Agent, or Firm*—Harold H. Dutton, Jr.

[57] **CLAIM**

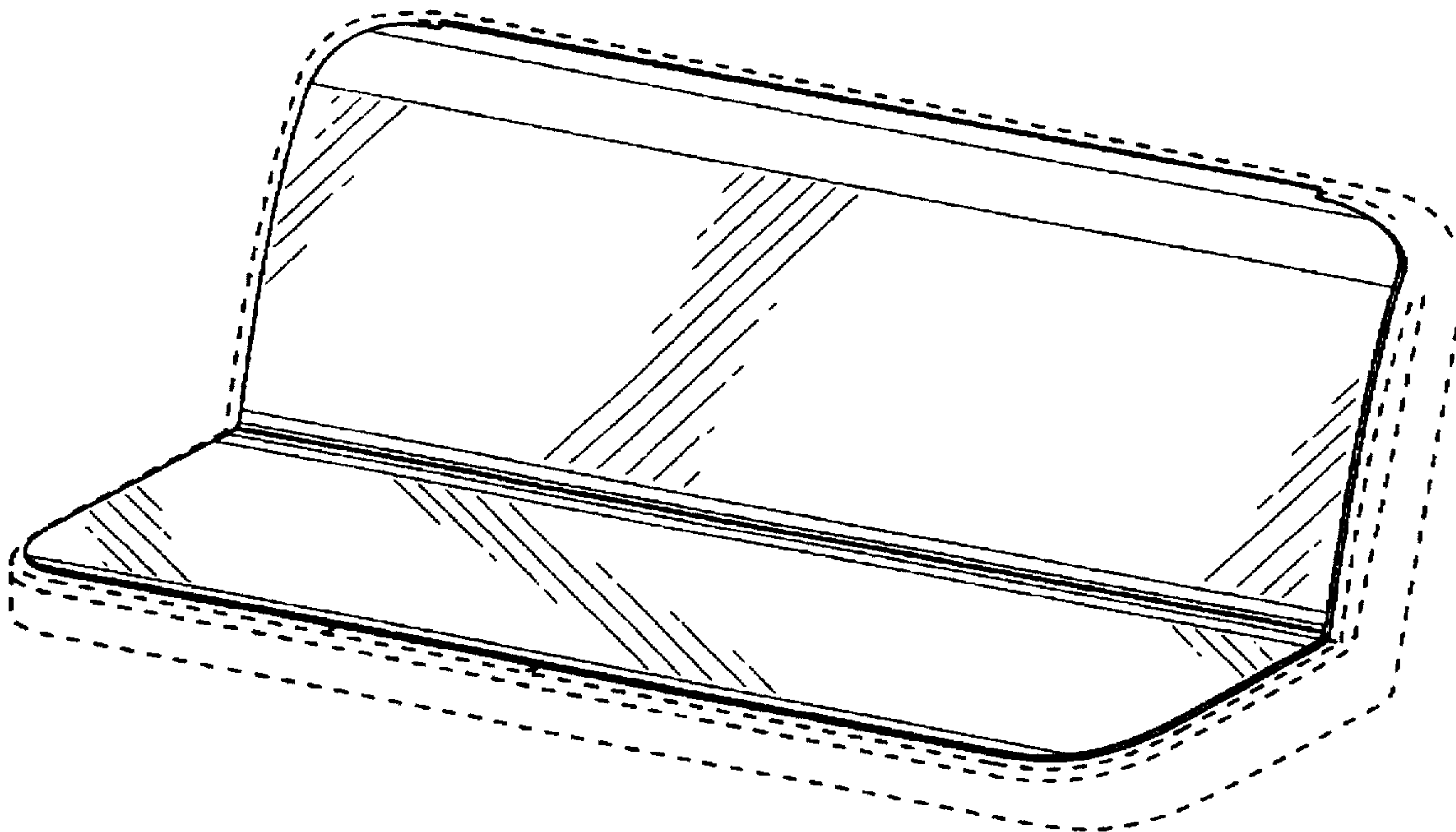
The ornamental design for a disposable vehicle seat shield, as shown.

**DESCRIPTION**

FIG. 1 is a perspective view of a disposable vehicle seat shield showing our new design;  
FIG. 2 is a front view thereof;  
FIG. 3 is a rear view thereof;  
FIG. 4 is a top view thereof;  
FIG. 5 is a bottom view thereof;  
FIG. 6 is a left view thereof; and,  
FIG. 7 is a right view thereof.

The broken line showing of an automobile seat is environmental only and forms no part of the claimed design.

**1 Claim, 4 Drawing Sheets**



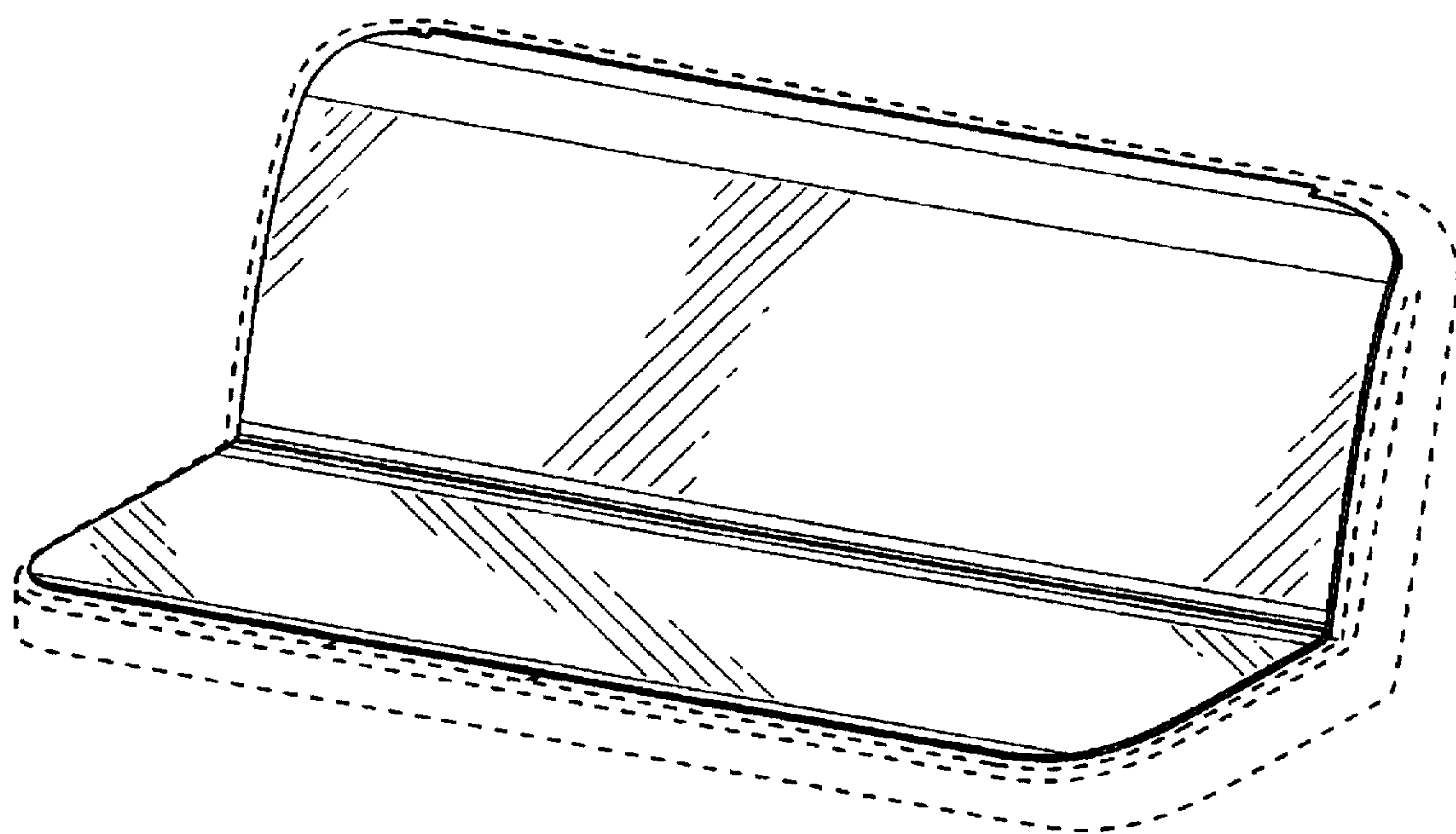


FIG. 1

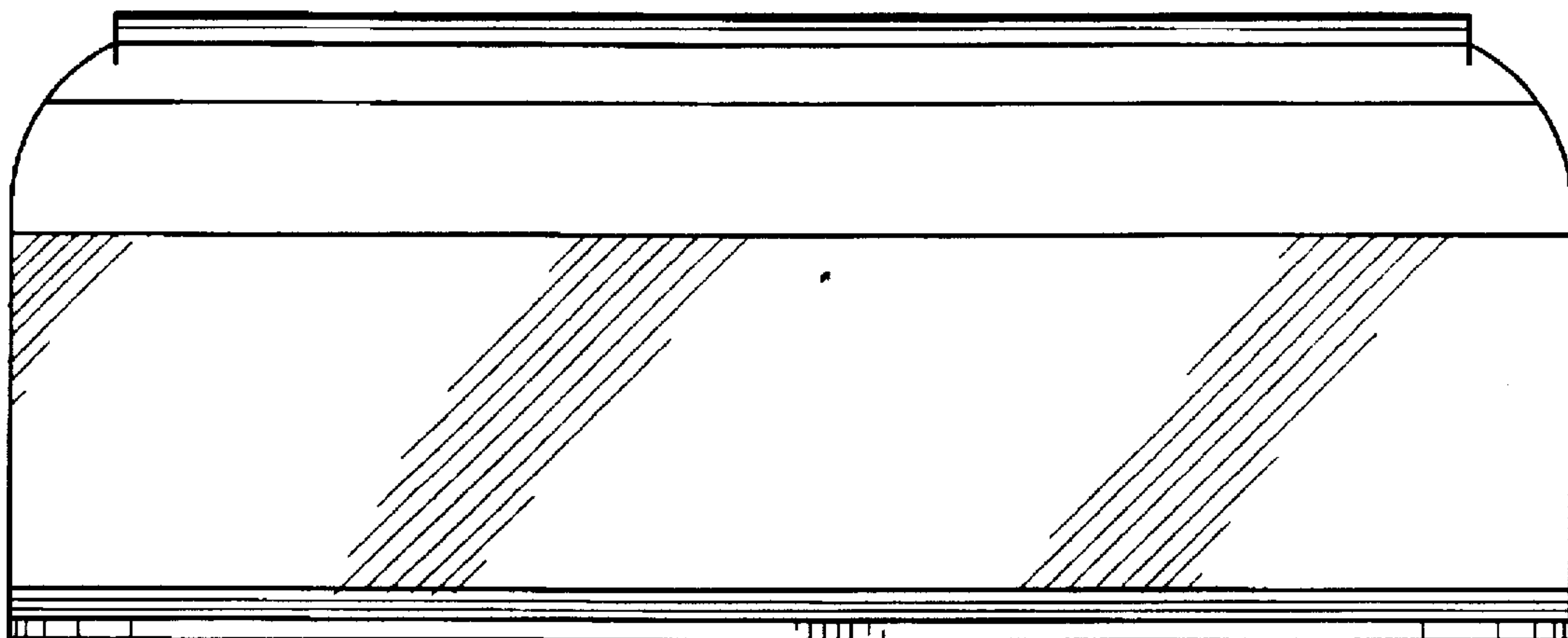


FIG. 2

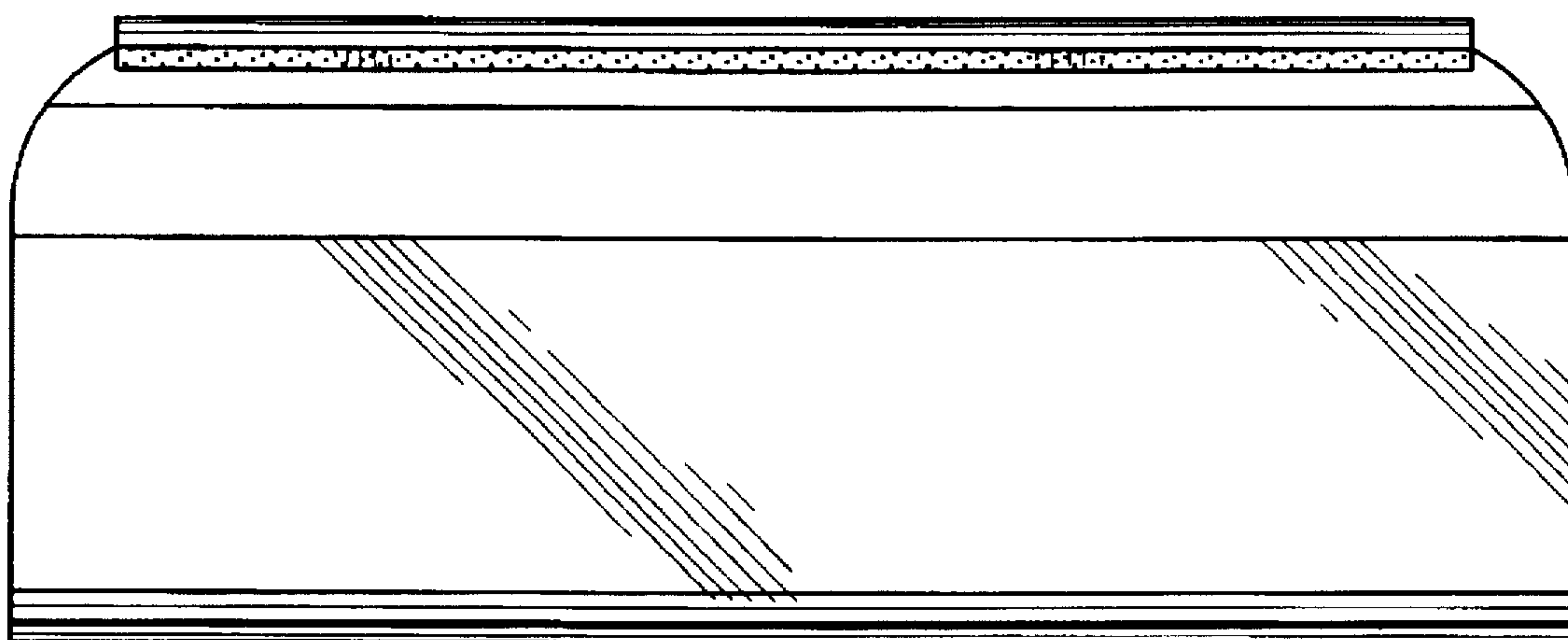


FIG. 3

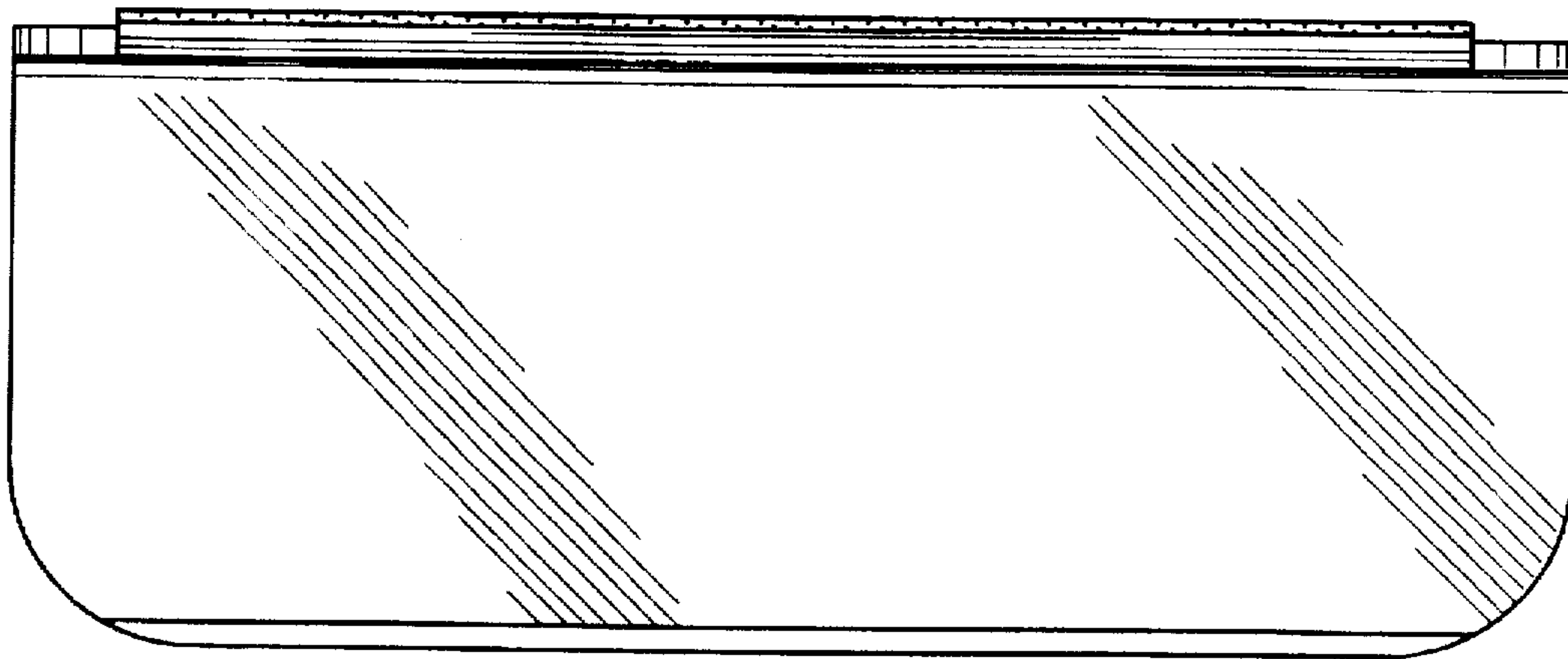


FIG. 4

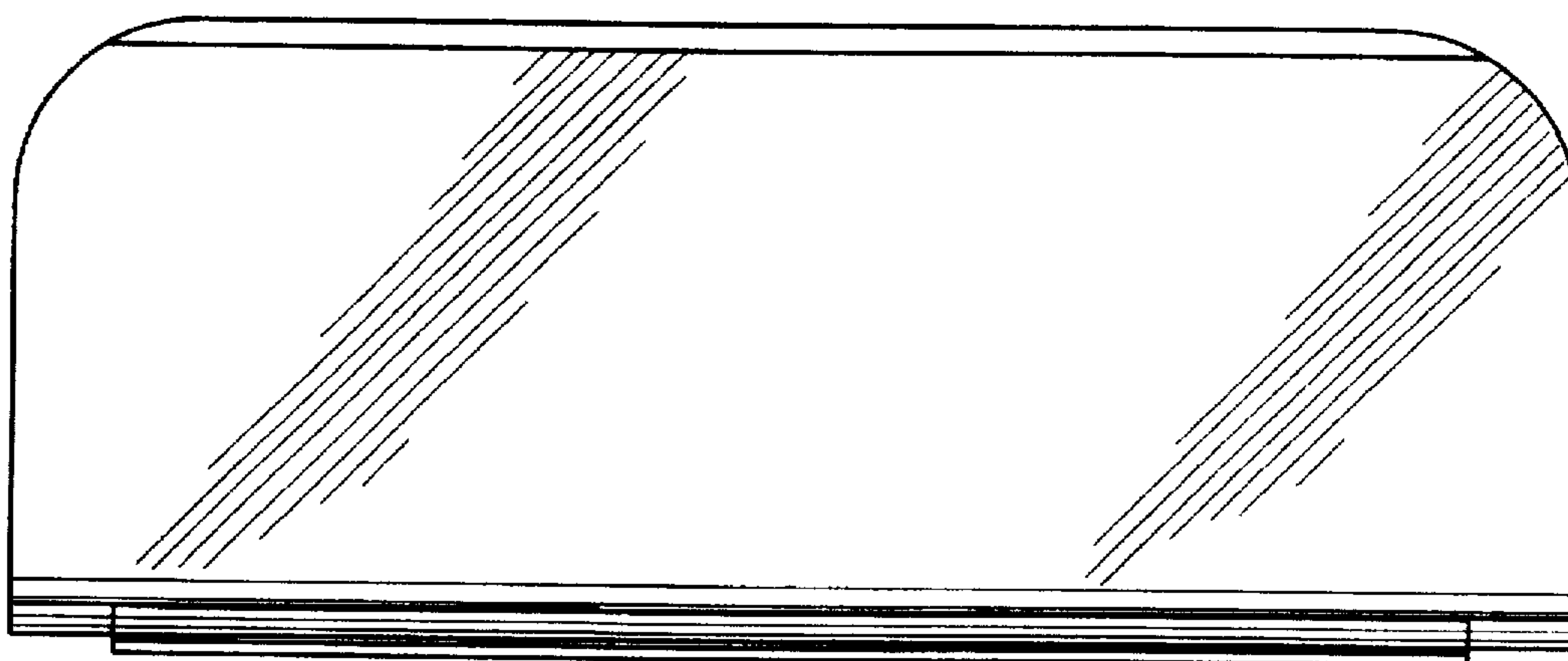


FIG. 5

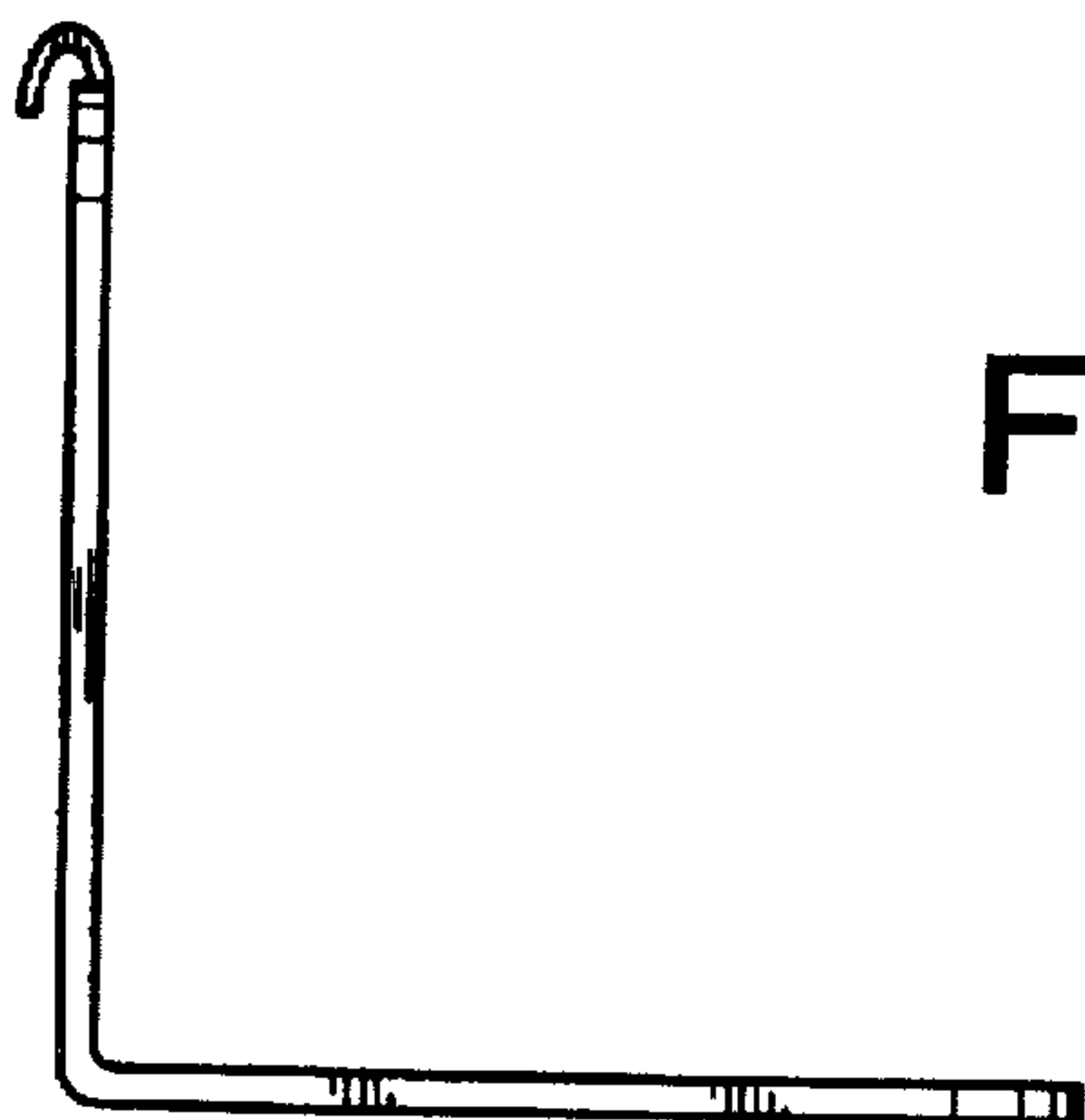


FIG. 6

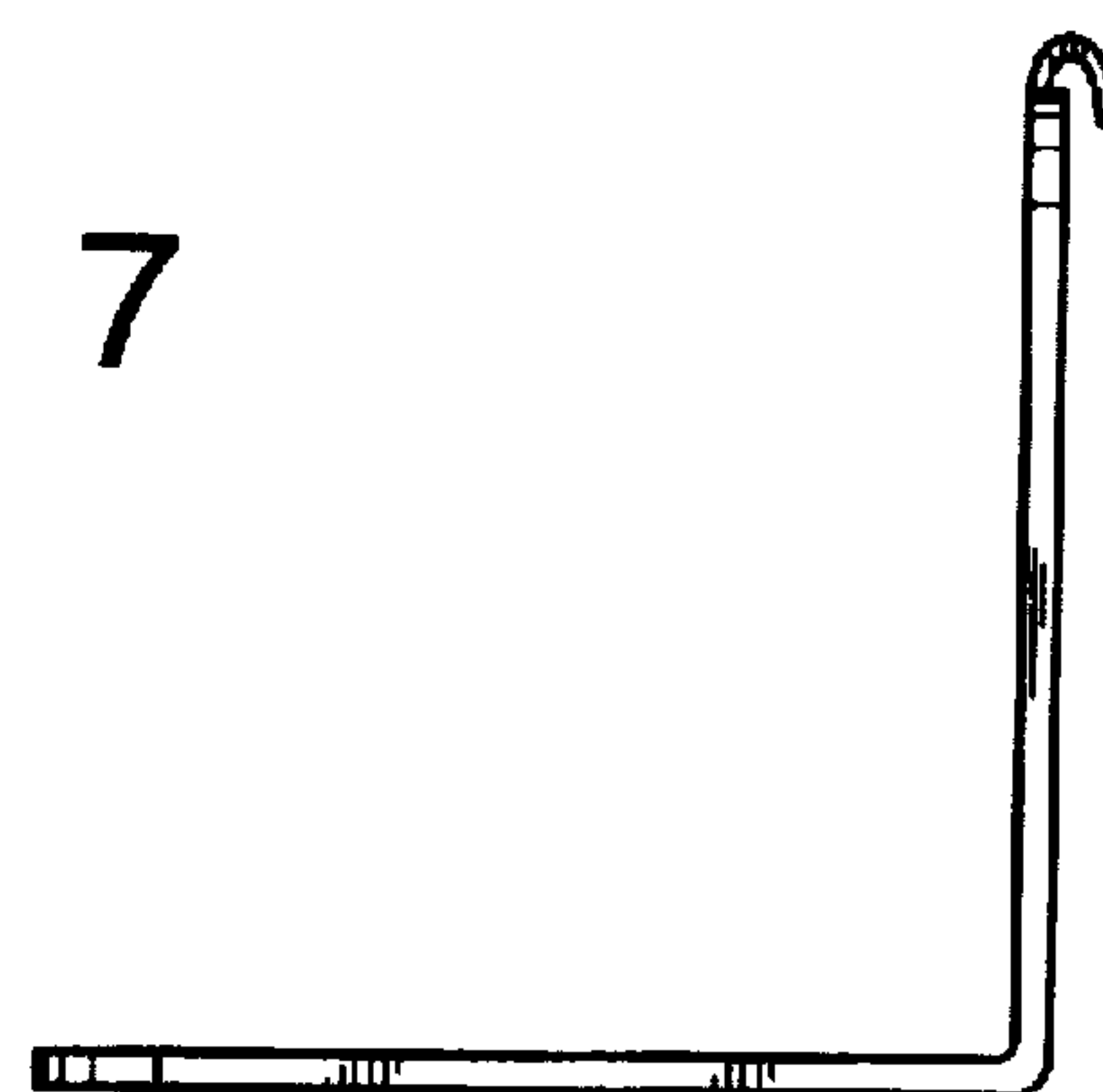


FIG. 7