



US00D387939S

United States Patent [19]

[11] Patent Number: **Des. 387,939**

Tedesco et al.

[45] Date of Patent: ****Dec. 23, 1997**

[54] **LOUNGE CHAIR COVER**

[76] Inventors: **Vincent Tedesco; Virginia Hart**, both of 288 Greve Dr., New Milford, N.J. 07646-1531

[**] Term: **14 Years**

[21] Appl. No.: **60,913**

[22] Filed: **Oct. 10, 1996**

[51] LOC (6) Cl. **06-13**

[52] U.S. Cl. **D6/610**

[58] Field of Search **D6/610, 368, 611; 297/218-219, 229**

[56] **References Cited**

U.S. PATENT DOCUMENTS

D. 299,988	2/1989	Parabita	D6/368
D. 307,370	4/1990	Bailey	D6/611
D. 359,411	6/1995	Wade	D6/610
4,536,028	8/1985	Jones et al. .	
4,553,785	11/1985	Duke	D6/611
4,877,288	10/1989	Lee .	
4,892,353	1/1990	Goddard .	

Primary Examiner—Nelson C. Holtje
Attorney, Agent, or Firm—Dennis H. Lambert

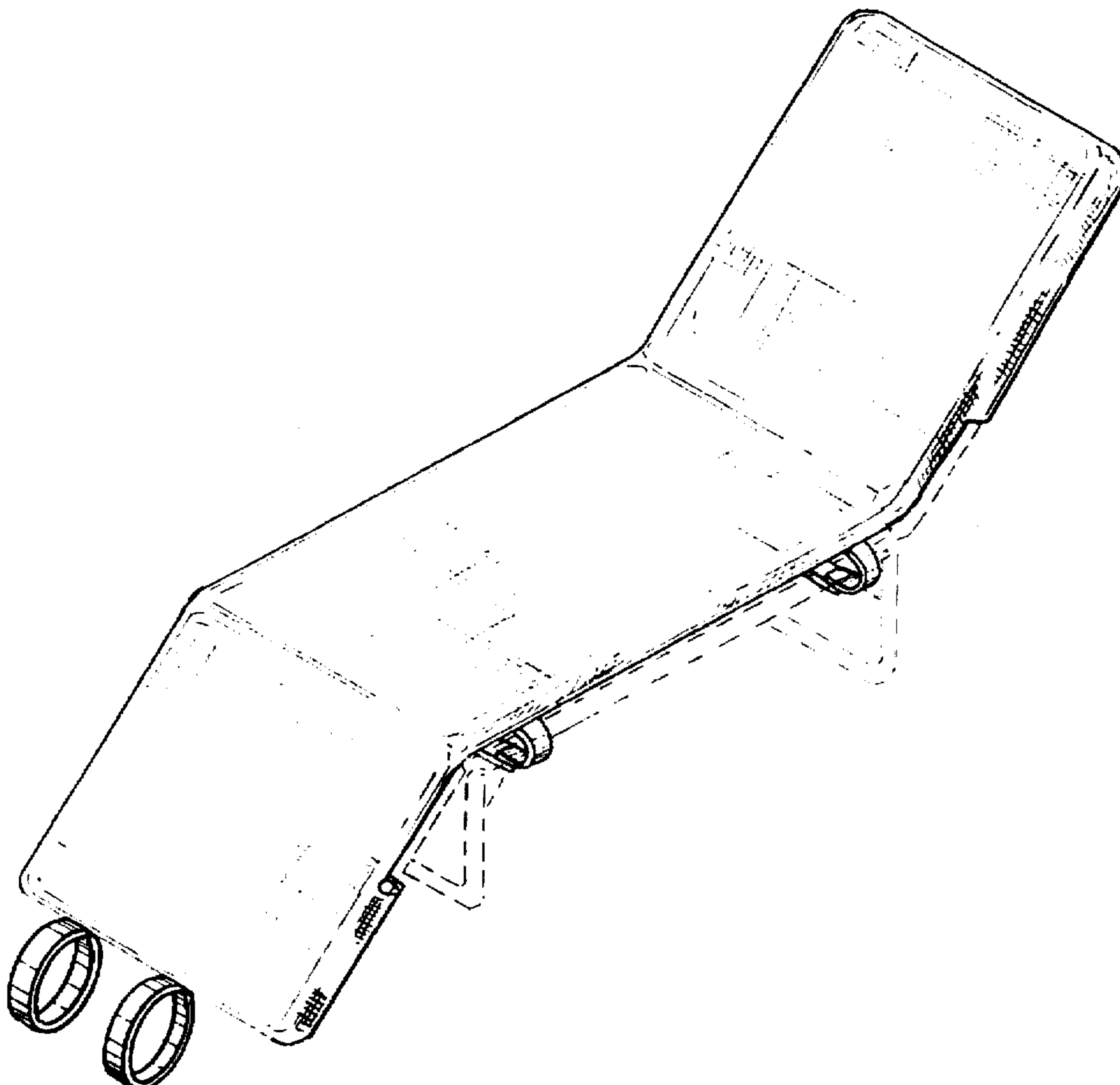
[57] **CLAIM**

The ornamental design for a lounge chair cover, as shown and described.

DESCRIPTION

FIG. 1 is a front, top and side perspective view of the lounge chair cover embodying the design of the present invention; FIG. 2 is a front, top and side perspective view of the lounge chair cover rolled up. FIG. 3 is a side elevational view thereof, the side opposite being a mirror image of the side shown in FIG. 3. FIG. 4 is an end elevational view thereof, as viewed from the right hand side of FIG. 3; FIG. 5 is an opposite end elevational view thereof; FIG. 6 is a top plan view thereof; FIG. 7 is a bottom plan view thereof; and, FIG. 8 is a front, top and side perspective view of the lounge chair cover, showing a lounge chair in broken lines. The broken line showing of a lounge chair is for illustrative purposes only and forms no part of the claimed design.

1 Claim, 3 Drawing Sheets



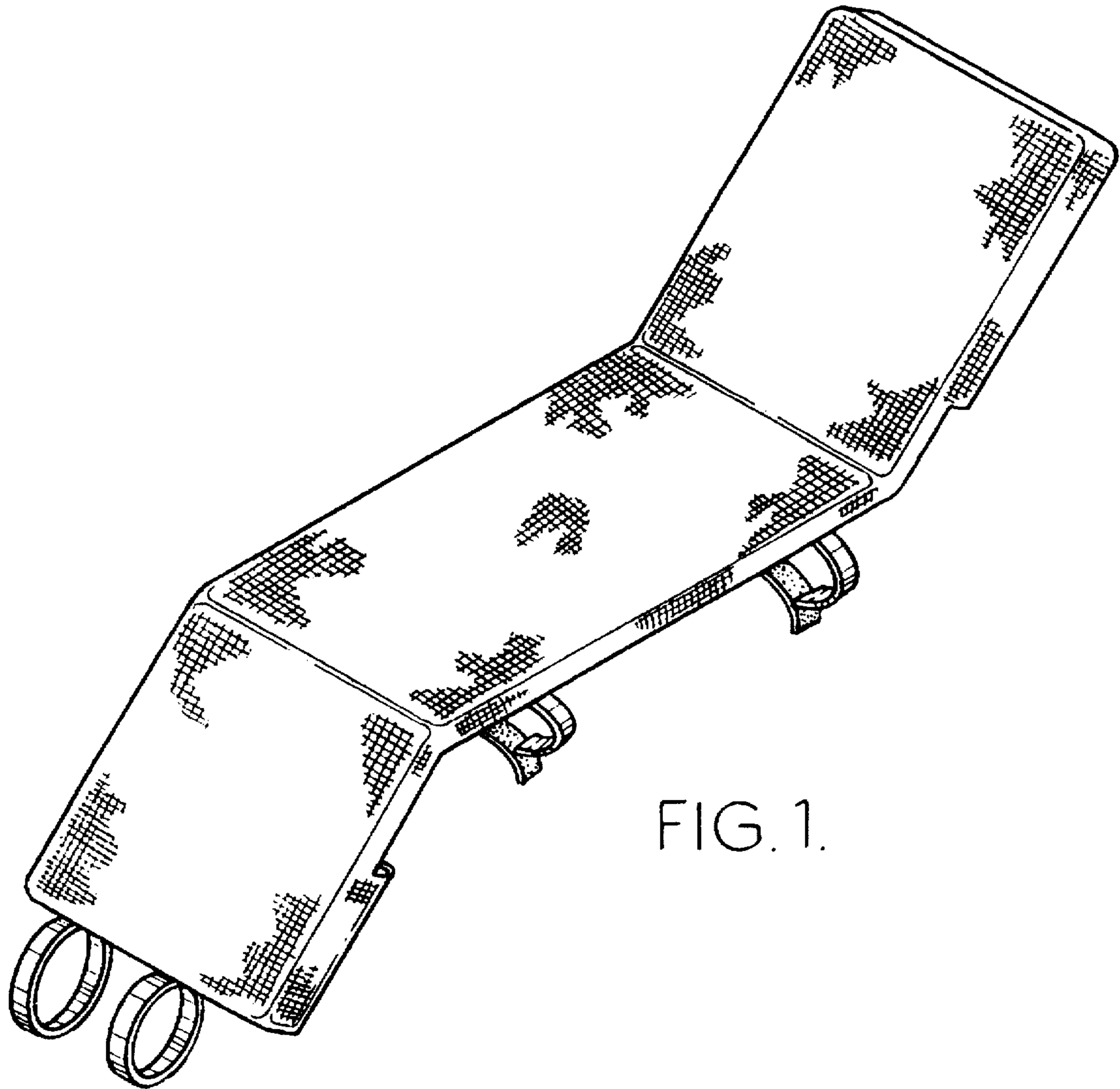


FIG. 1.

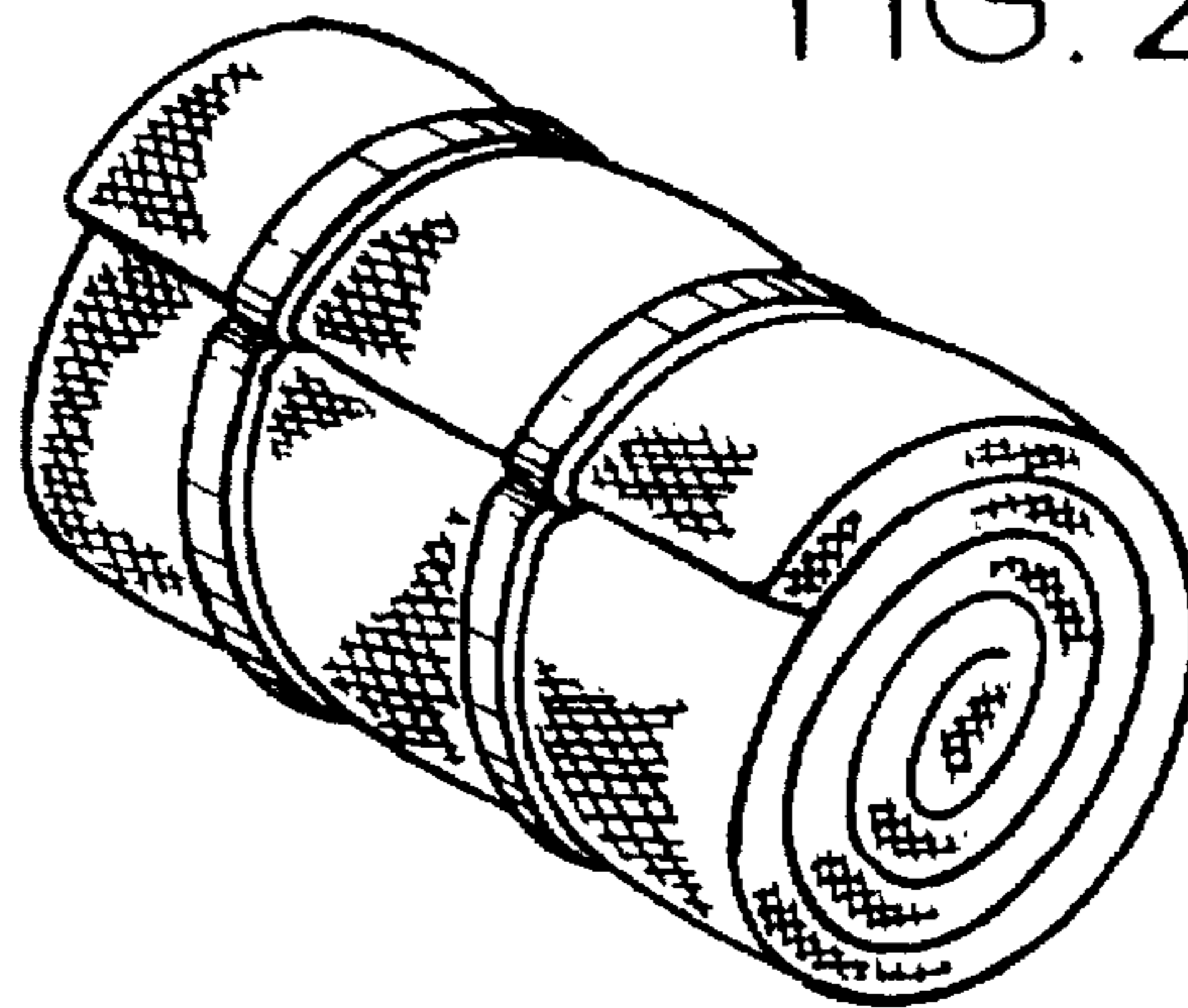


FIG. 2.

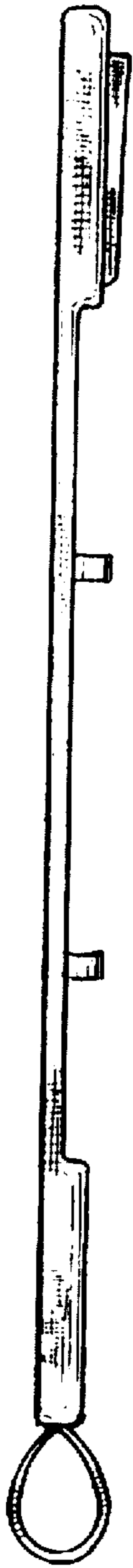


FIG. 3.



FIG. 4.

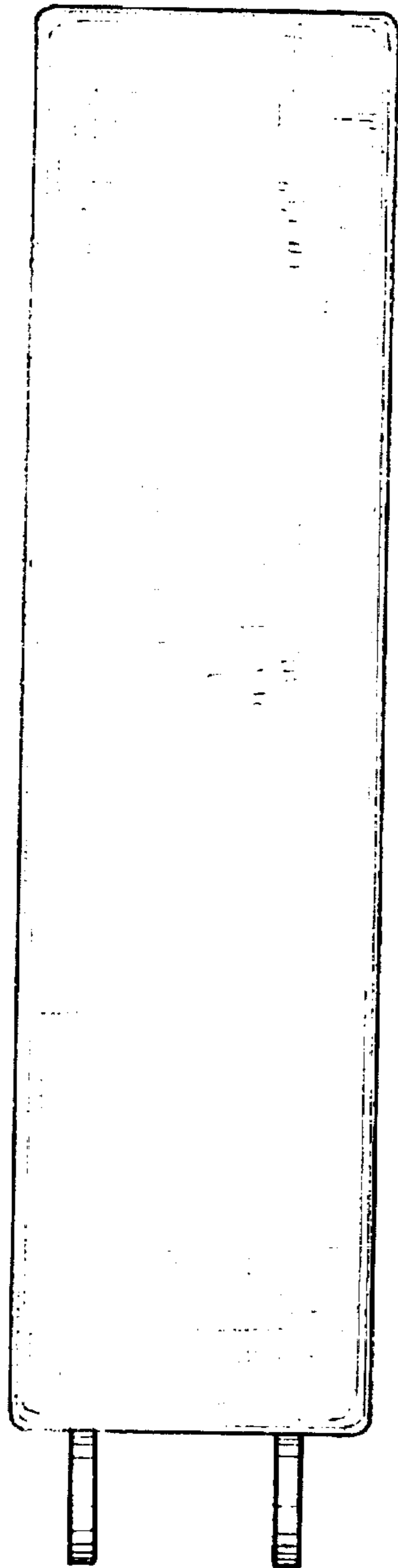


FIG. 6.

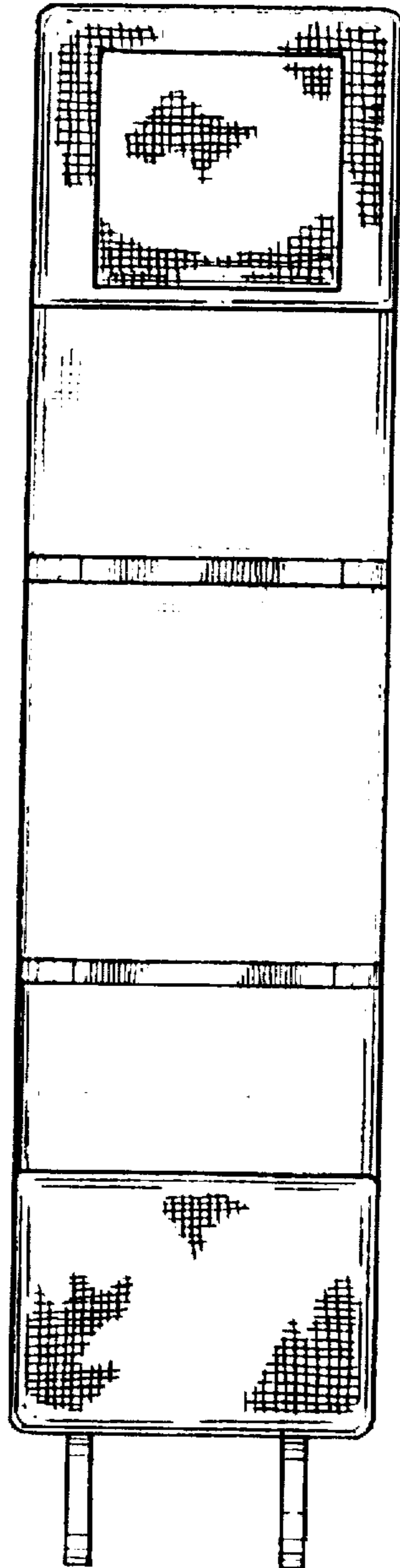


FIG. 7.

FIG. 5.

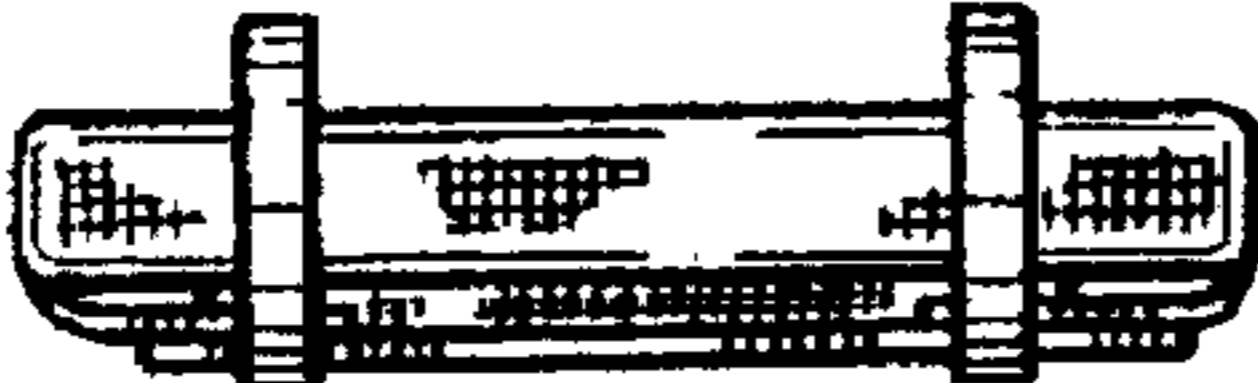


FIG. 8.

