



US00D387933S

United States Patent [19]
Effron

[11] **Patent Number: Des. 387,933**
[45] **Date of Patent: **Dec. 23, 1997**

[54] **RACK FOR ELONGATED OBJECT**

[76] **Inventor: Louis R. Effron, 5106 Leeward Ave., Orlando, Fla. 32809**

[**] **Term: 14 Years**

[21] **Appl. No.: 69,128**

[22] **Filed: Apr. 11, 1997**

Related U.S. Application Data

[62] **Division of Ser. No. 54,821, May 22, 1996.**

[51] **LOC (6) Cl. 06-04**

[52] **U.S. Cl. D6/566**

[58] **Field of Search D6/317, 566, 320, D6/569, 554, 567; D8/363, 373; 248/110; 211/65, 106**

[56] **References Cited**

U.S. PATENT DOCUMENTS

D. 210,833	4/1968	Cura	D6/566
D. 314,487	2/1991	Bajek et al.	D6/566
D. 340,824	11/1993	Pujals, Jr.	D6/566
D. 353,291	12/1994	Mercer	D6/567 X
D. 355,841	2/1995	Goodman et al.	D6/566 X
850,576	4/1907	Hess et al.	211/65
2,584,644	2/1952	Verdi	211/65

Primary Examiner—Pamela J. Burgess
Attorney, Agent, or Firm—Allen, Dyer, Doppelt, Milbrath & Gilchrist, P.A.

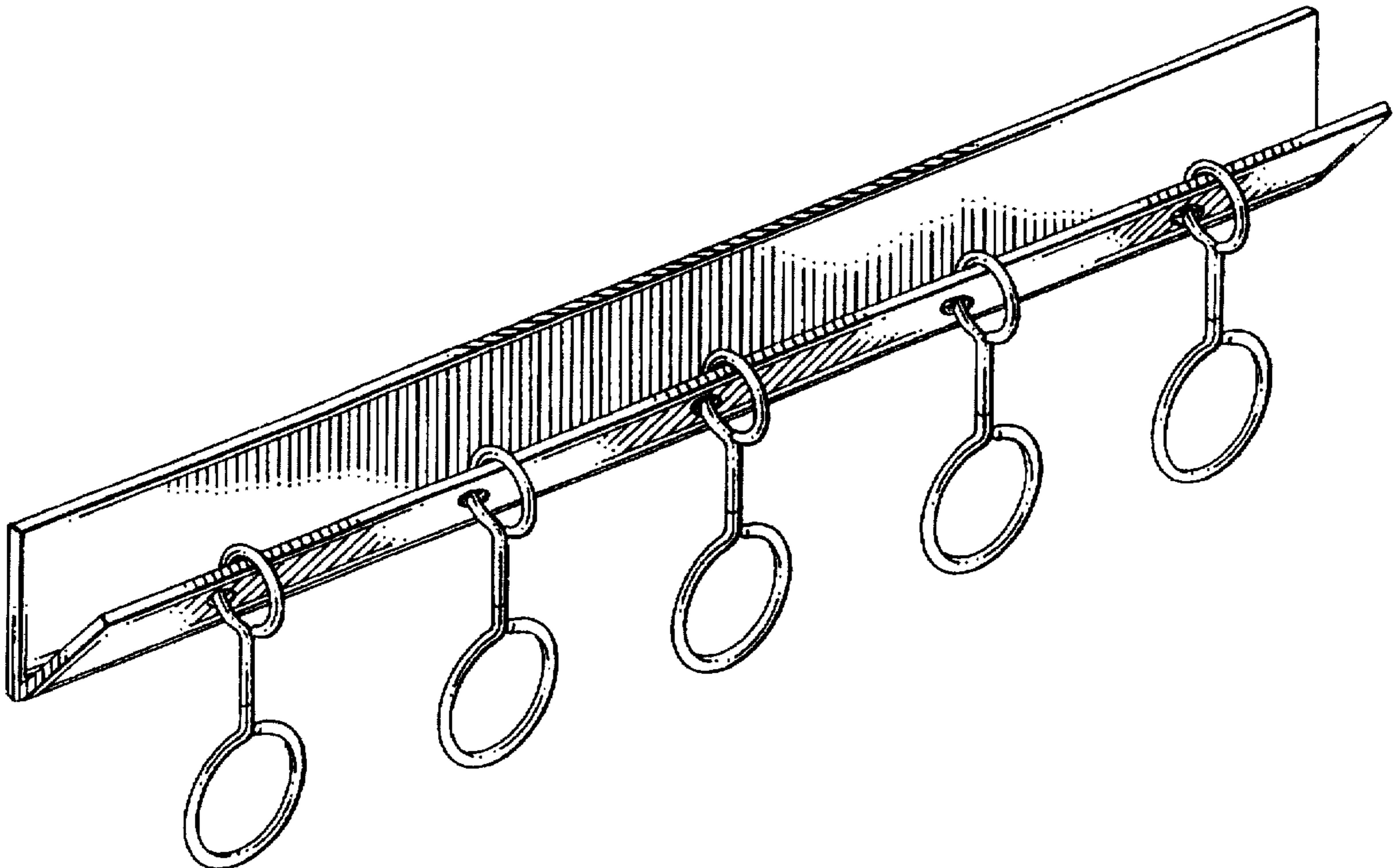
[57] **CLAIM**

The ornamental design for a rack for elongated objects, as shown and described.

DESCRIPTION

FIG. 1 is a top, left side perspective view of a rack for elongated objects;
FIG. 2 is a right side elevational view of FIG. 1, the left side being a mirror image;
FIG. 3 is a fragmented front elevational view of FIG. 1;
FIG. 4 is a fragmented rear elevational view of FIG. 1;
FIG. 5 is a fragmented top plan view of FIG. 1;
FIG. 6 is a fragmented bottom plan view of FIG. 1;
FIG. 7 is a top, left side perspective view of a second embodiment of FIG. 1;
FIG. 8 is a right side elevational view of FIG. 7, the left side being a mirror image;
FIG. 9 is a fragmented front elevational view of FIG. 7;
FIG. 10 is a fragmented rear elevational view of FIG. 7;
FIG. 11 is a fragmented top plan view of FIG. 7; and,
FIG. 12 is a fragmented bottom plan view of FIG. 7.
The rack is fragmentally shown in FIGS. 3–6 and 9–12 for convenience of illustration.

1 Claim, 4 Drawing Sheets



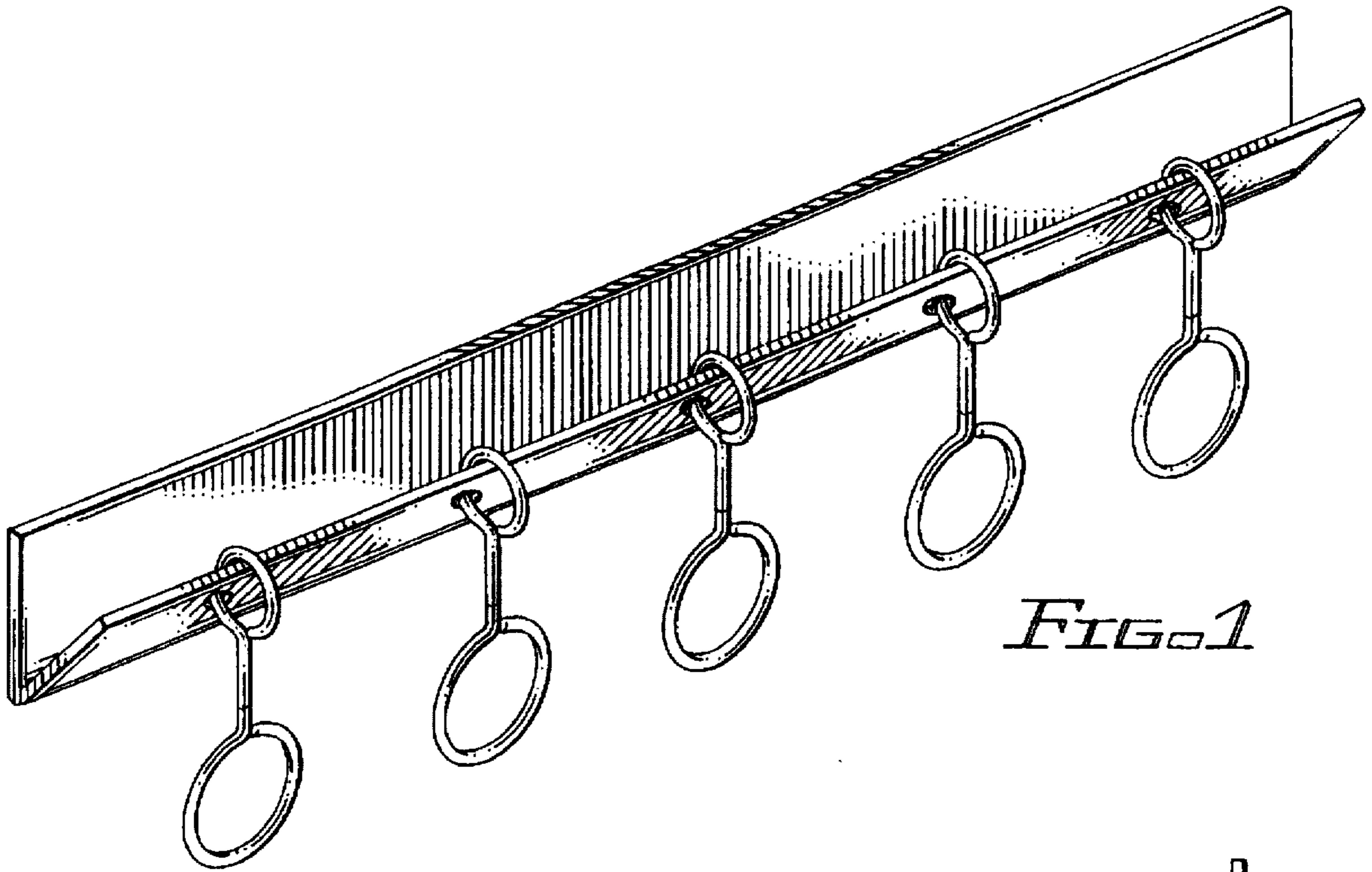


FIG. 1

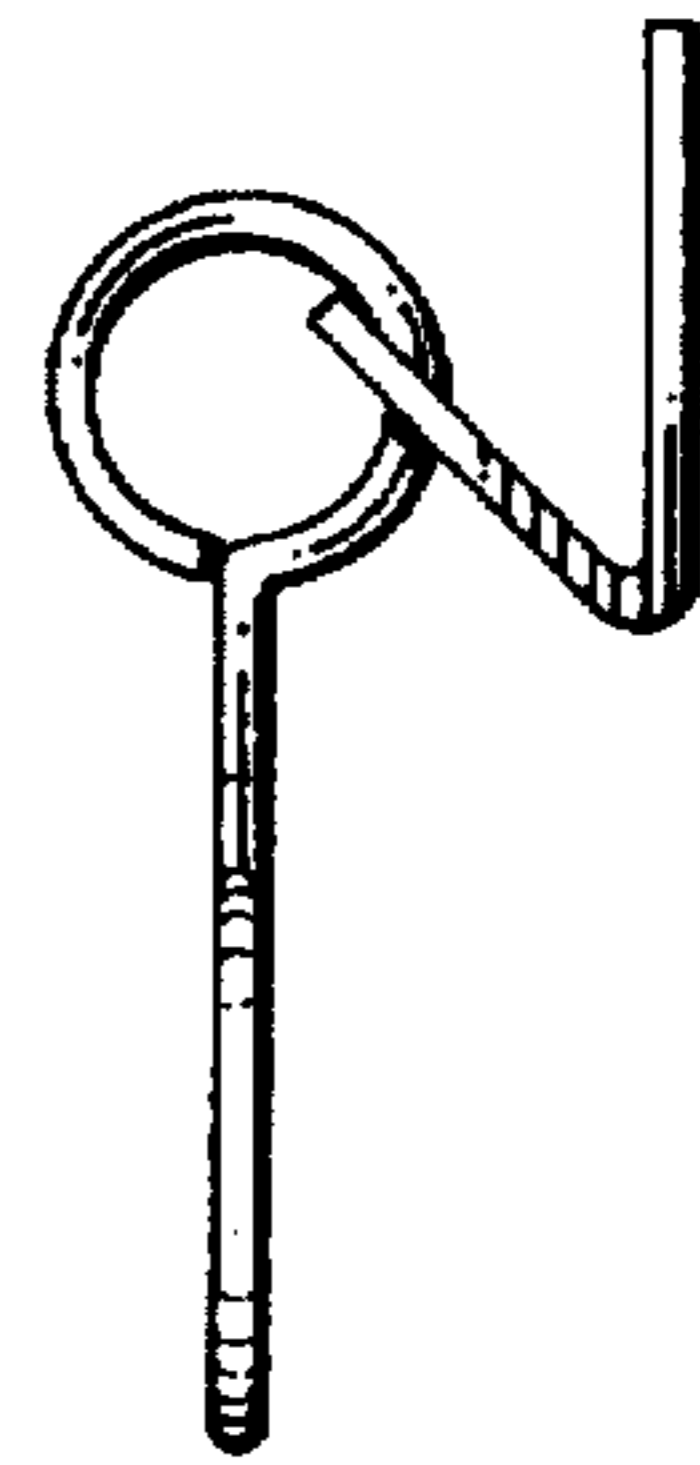


FIG. 2

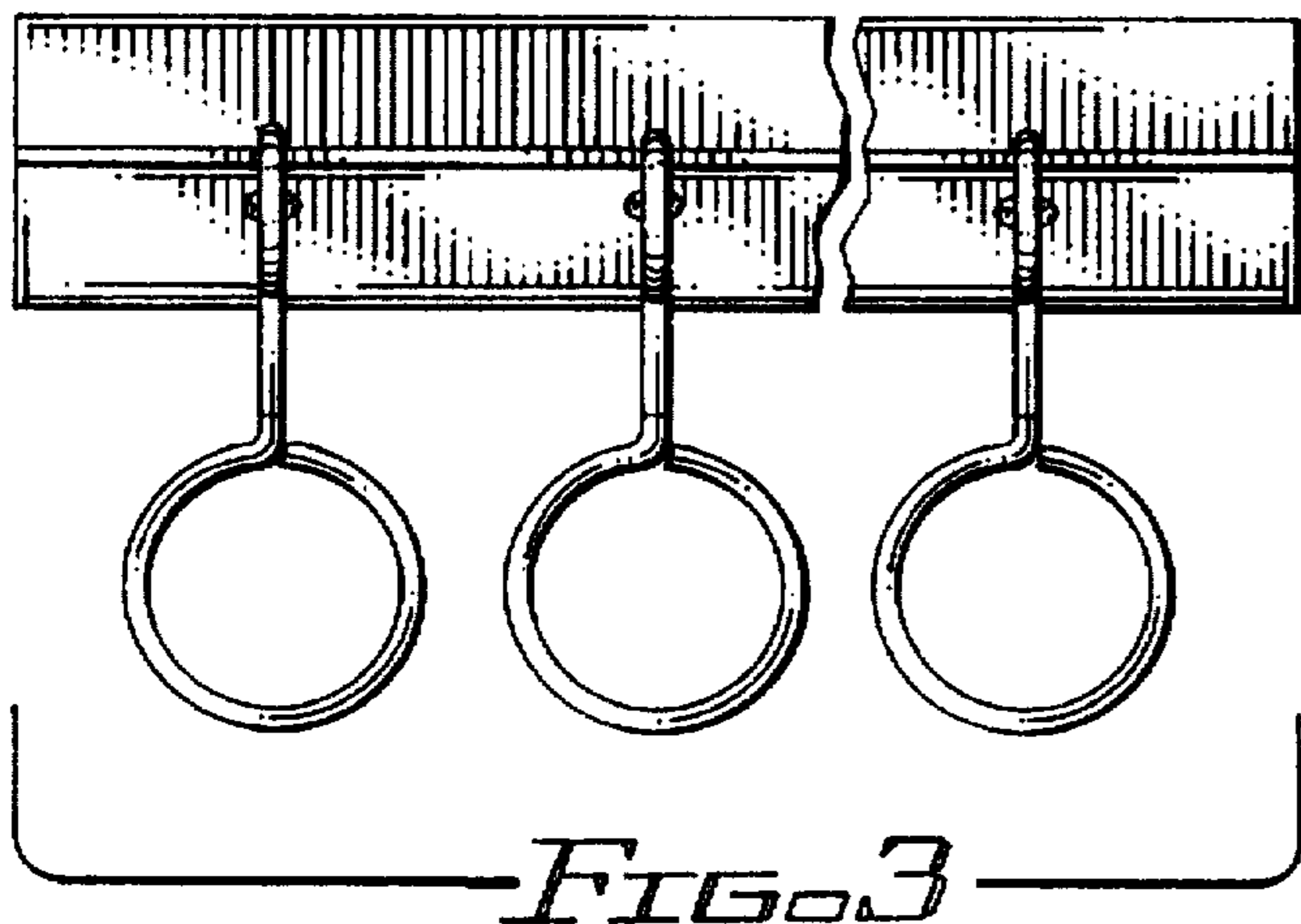
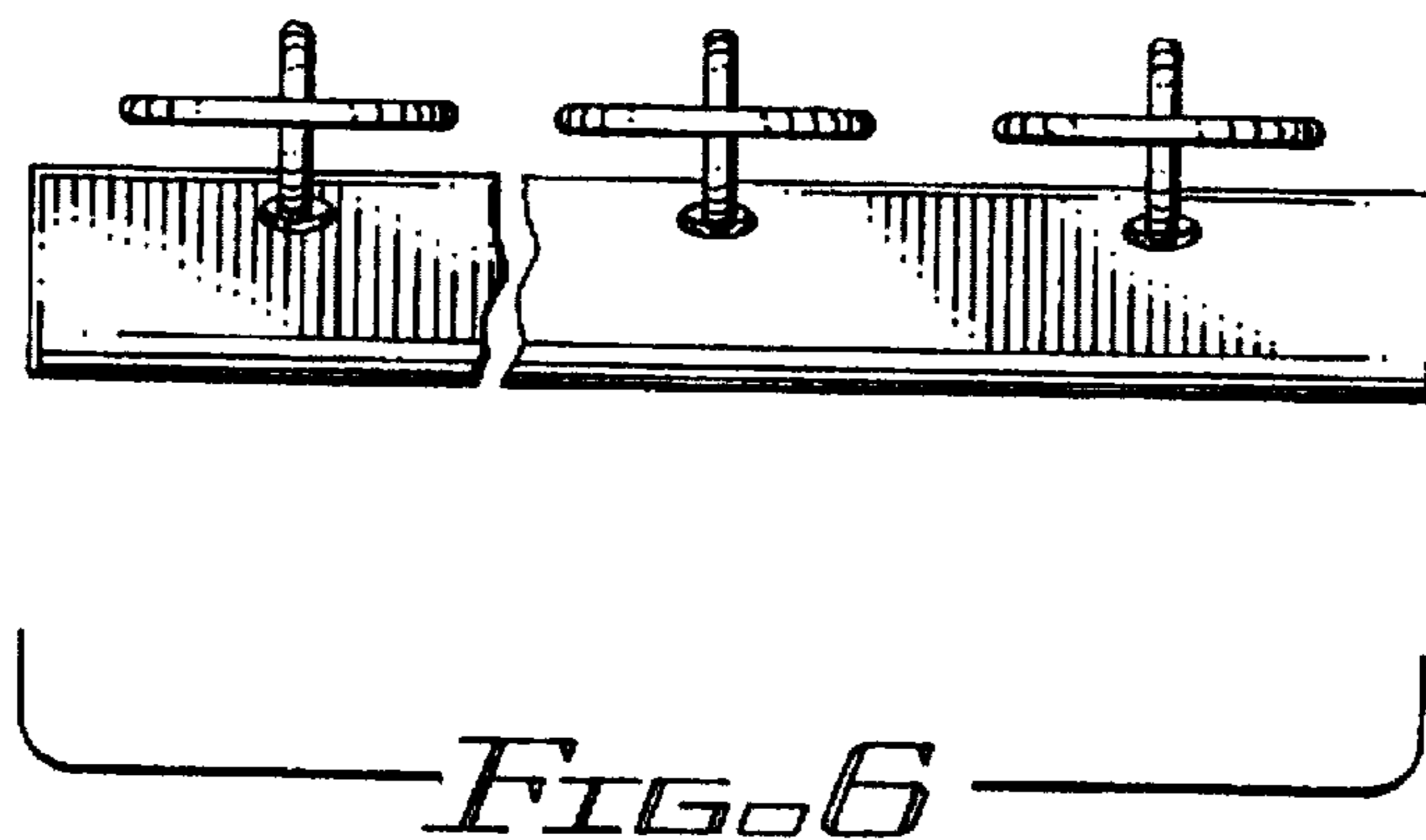
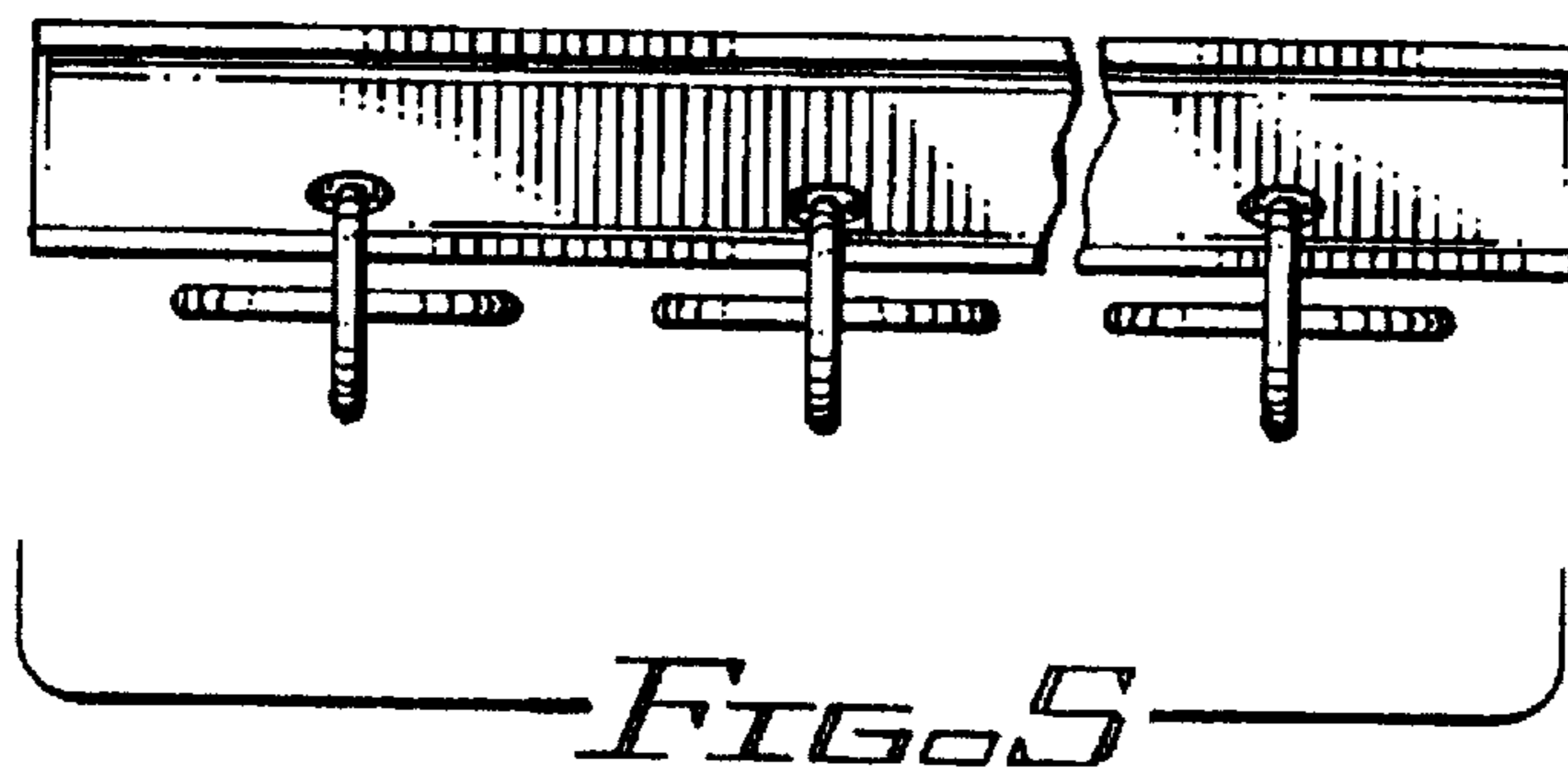
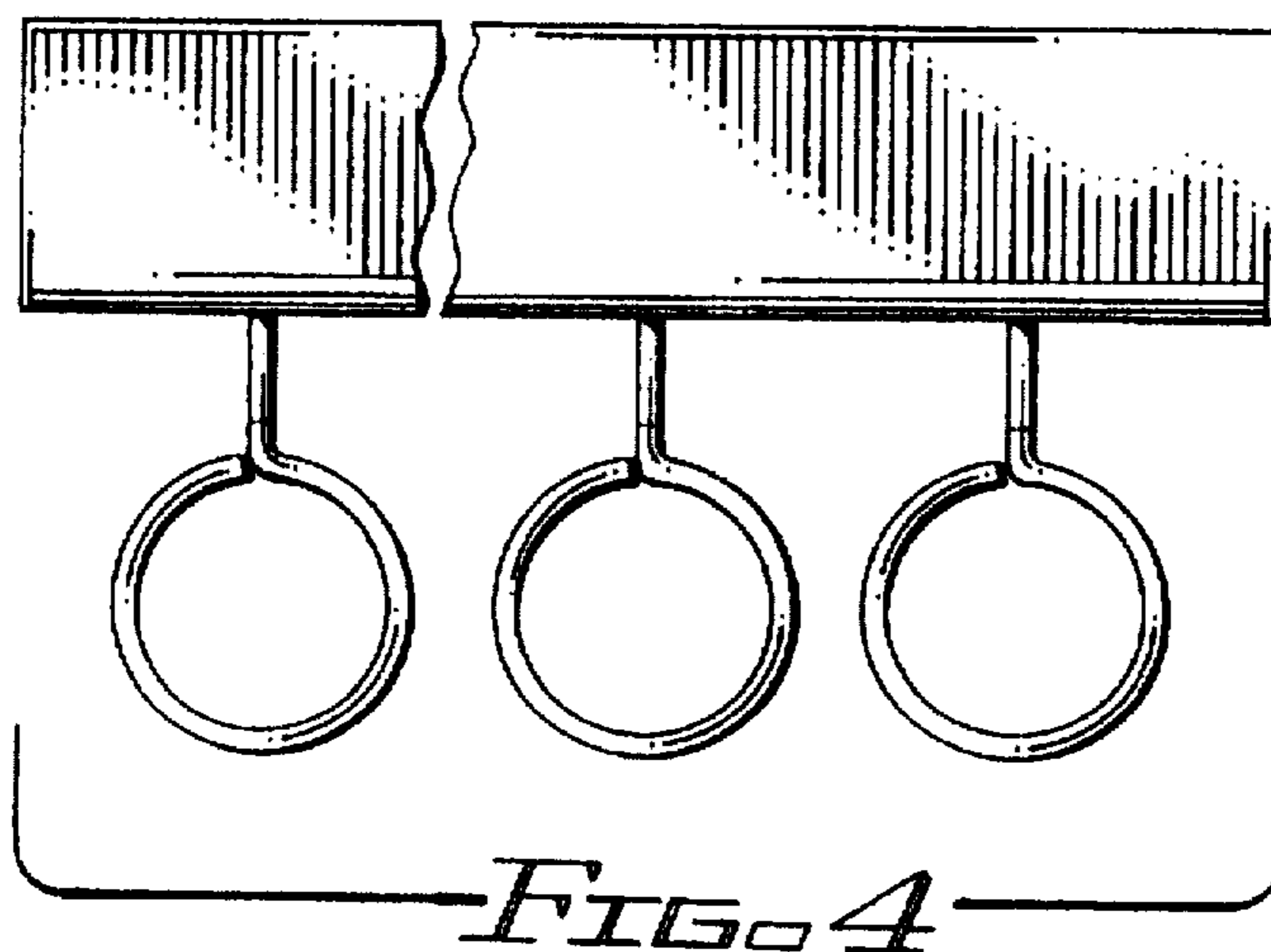


FIG. 3



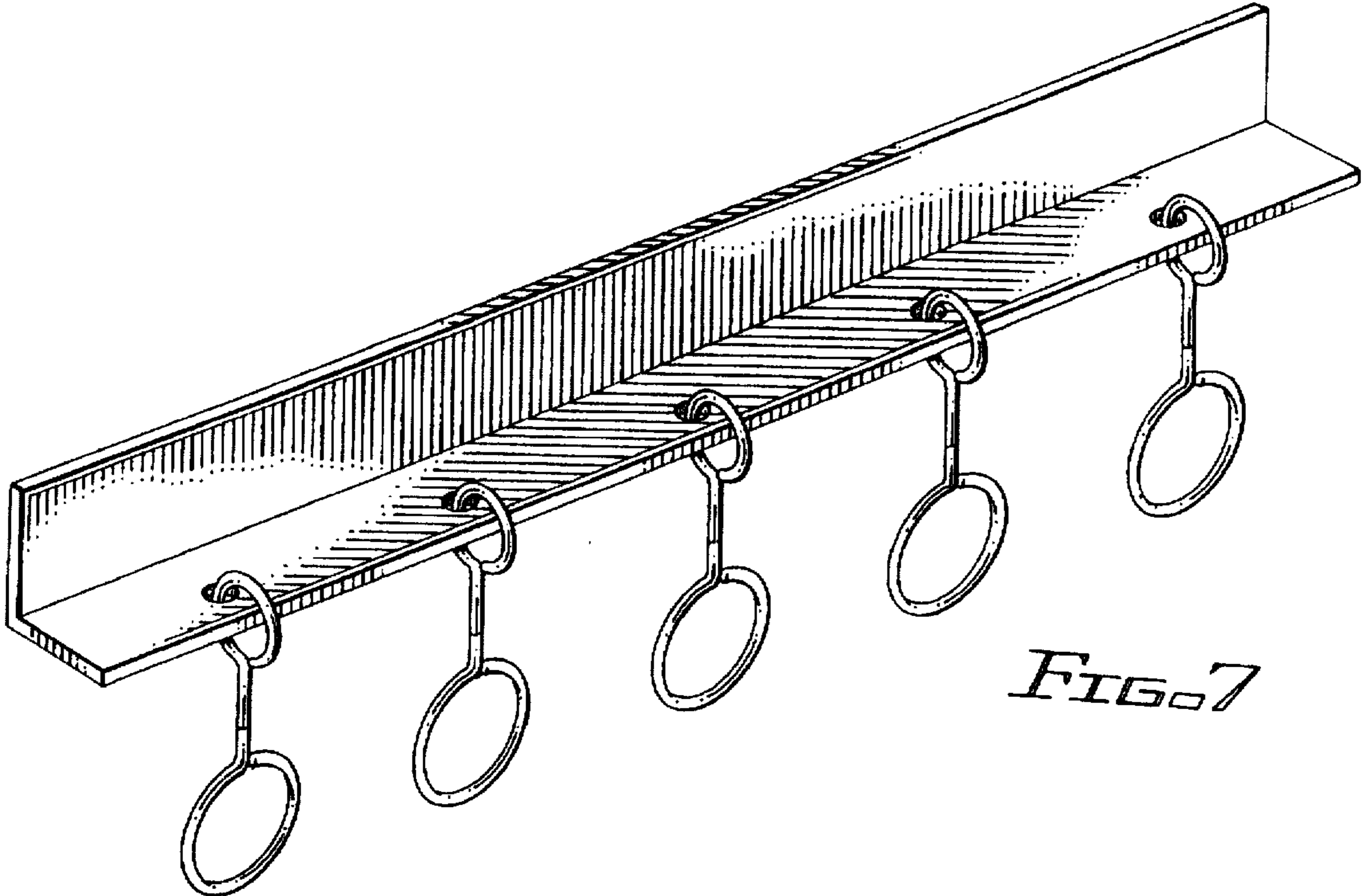


FIG. 7

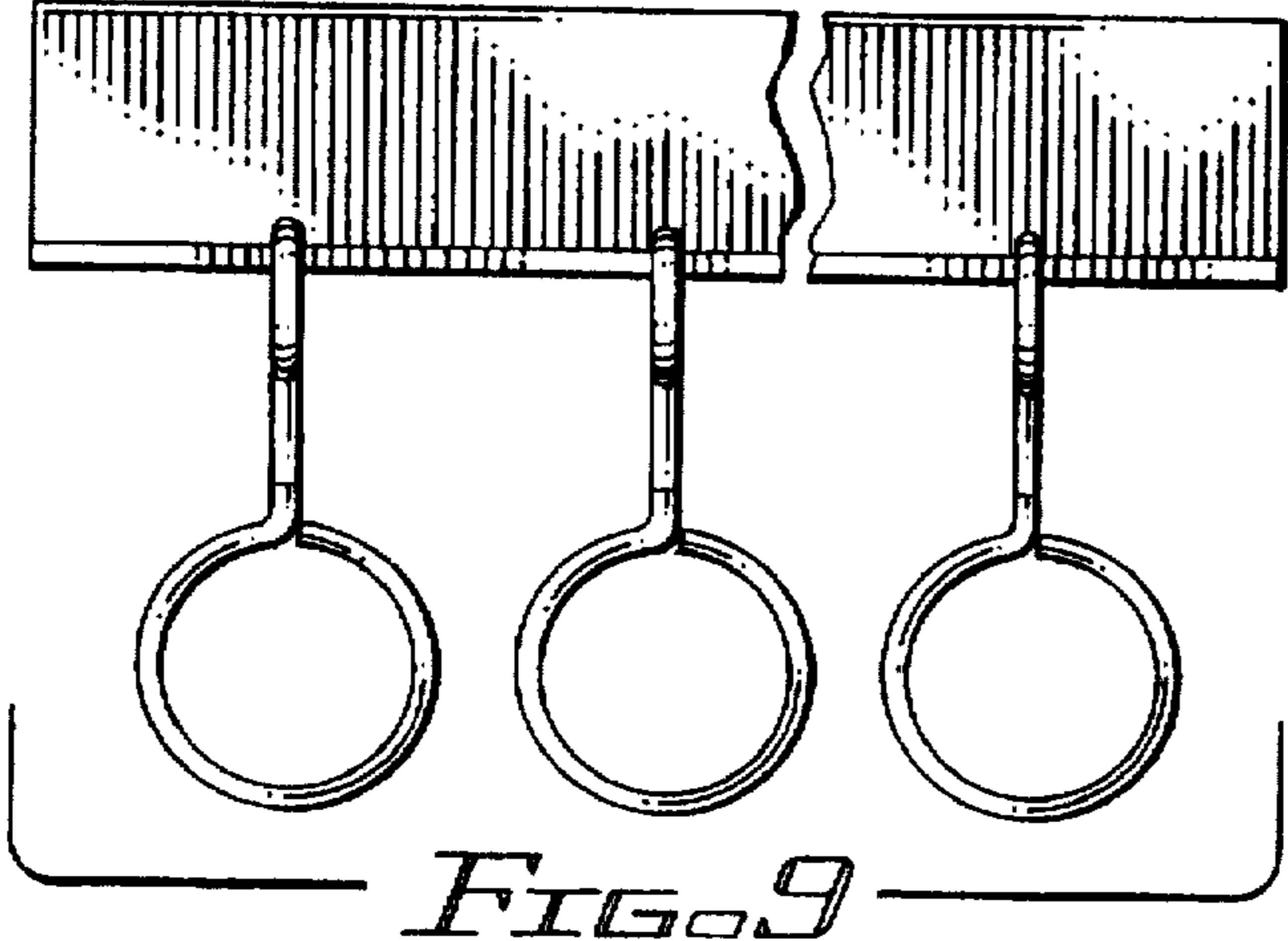


FIG. 9

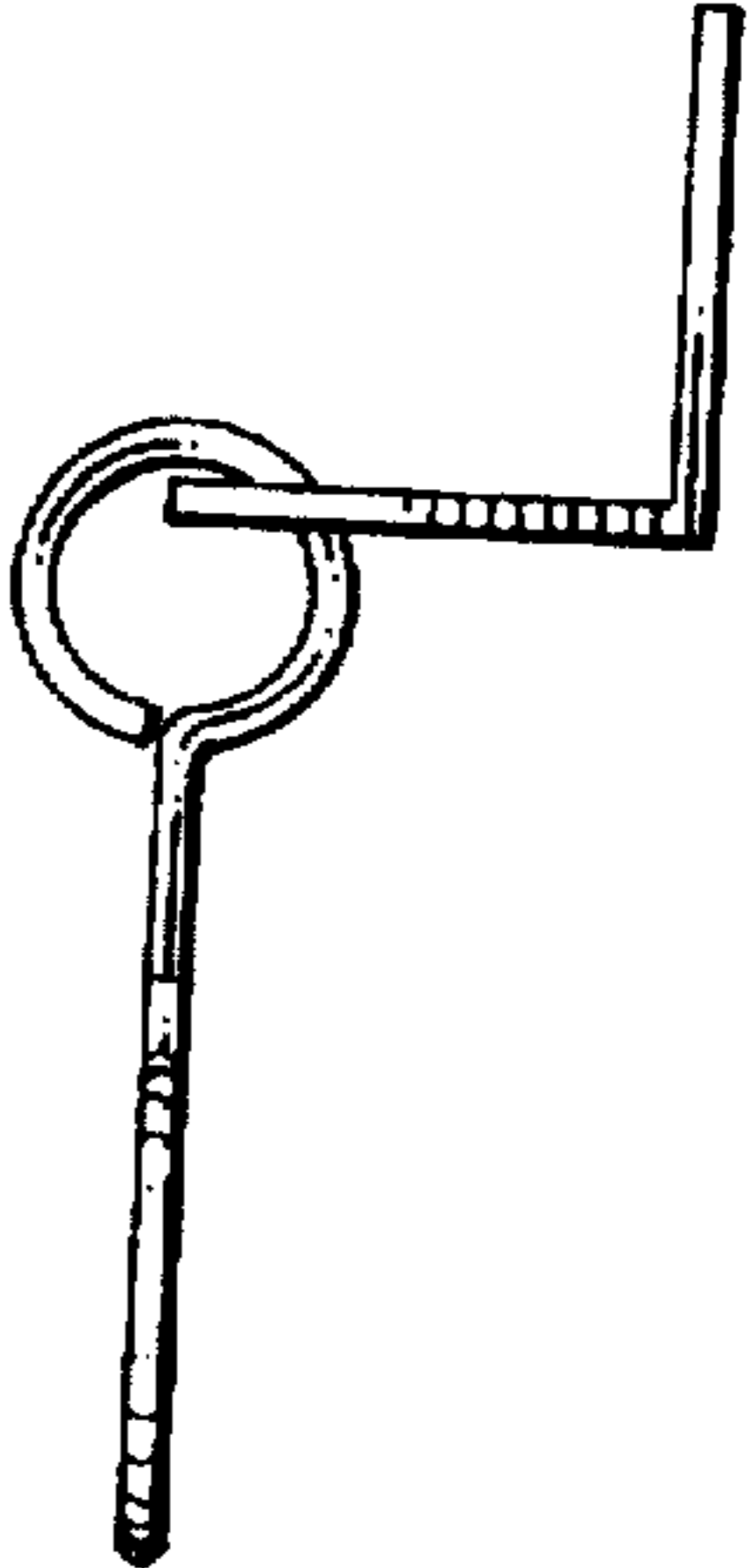


FIG. 8

