

US00D387926S

United States Patent [19]
Blaesing

[11] **Patent Number:** **Des. 387,926**
[45] **Date of Patent:** ****Dec. 23, 1997**

[54] **END TABLE FOR STORING A COOL CHEST**

[76] **Inventor:** **Jeffry L. Blaesing**, 122 Knollwood Dr.,
Hurt, Va. 24563

[**] **Term:** **14 Years**

[21] **Appl. No.:** **57,233**

[22] **Filed:** **Jul. 19, 1996**

[51] **LOC (6) Cl.** **06-04**

[52] **U.S. Cl.** **D6/445**

[58] **Field of Search** D6/432, 434, 436-439,
D6/445-448; 312/108, 198, 204; D7/605

[56] **References Cited**

U.S. PATENT DOCUMENTS

- D. 203,194 12/1965 Klien et al. D6/446
- D. 218,080 7/1970 Sierzaga D6/446 X
- D. 281,748 12/1985 Kiiski D6/446
- D. 286,714 11/1986 Verholt D6/446

OTHER PUBLICATIONS

Sears Fall/Winter 1978,p.861,#7 tool chest at top and center.

Primary Examiner—Janice E. Seeger

Attorney, Agent, or Firm—William J. Daniel

[57] **CLAIM**

The ornamental design for an end table for storing a cool chest, as shown and described.

DESCRIPTION

FIG. 1 is a front perspective view of one embodiment of an end table for storing a cool chest according to the invention with the drawer thereof in closed position;

FIG. 2 is a front perspective view of the end table for storing a cool chest similar to FIG. 1 with the drawer thereof in open position, a cool chest fitting within the drawer being shown in broken lines for illustration purposes;

FIG. 3 is a front elevation view of the end table for storing a cool chest of FIG. 1;

FIG. 4 is a rear elevation view of the end table for storing a cool chest of FIG. 1;

FIG. 5 is a left side elevation view with the drawer in closed position, the right side being a mirror image thereof;

FIG. 6 is a left side elevation view with the drawer in open position, the right side being a mirror image thereof;

FIG. 7 is a top plan view of the end table for storing a cool chest of FIG. 1 with the drawer thereof shown in closed position;

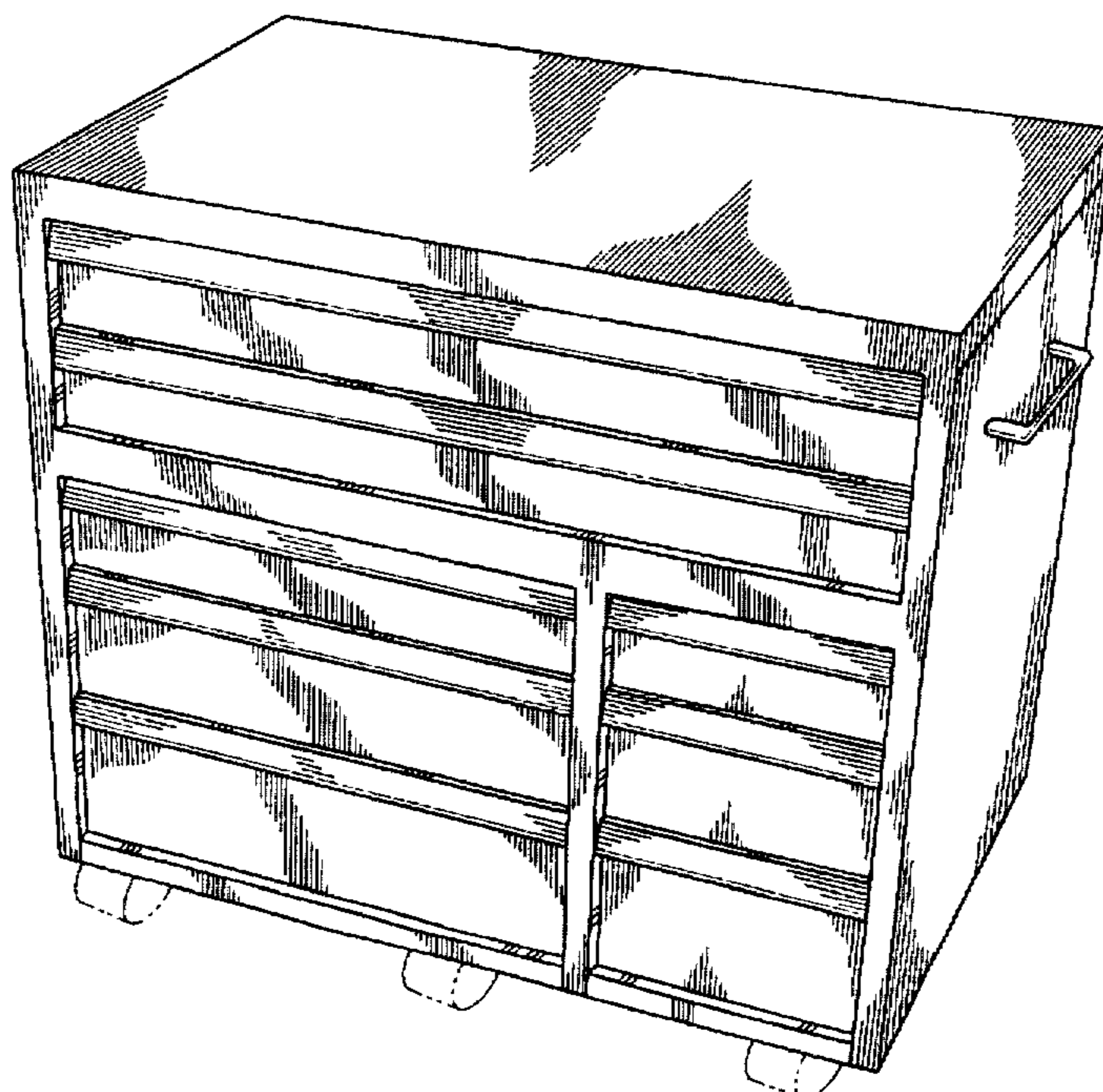
FIG. 8 is a bottom plan view of the end table for storing a cool chest of FIG. 1 with the drawer thereof in closed position;

FIG. 9 is a top plan view of the end table for storing a cool chest similar to FIG. 7 with the drawer thereof in open position; and,

FIG. 10 is a front view partially in vertical section along line 10—10 of FIG. 9 and partially in front elevation.

The broken line showing of castors in all figures other than FIGS. 7 and 9 is included for illustration purposes and does not form part of the design.

1 Claim, 6 Drawing Sheets



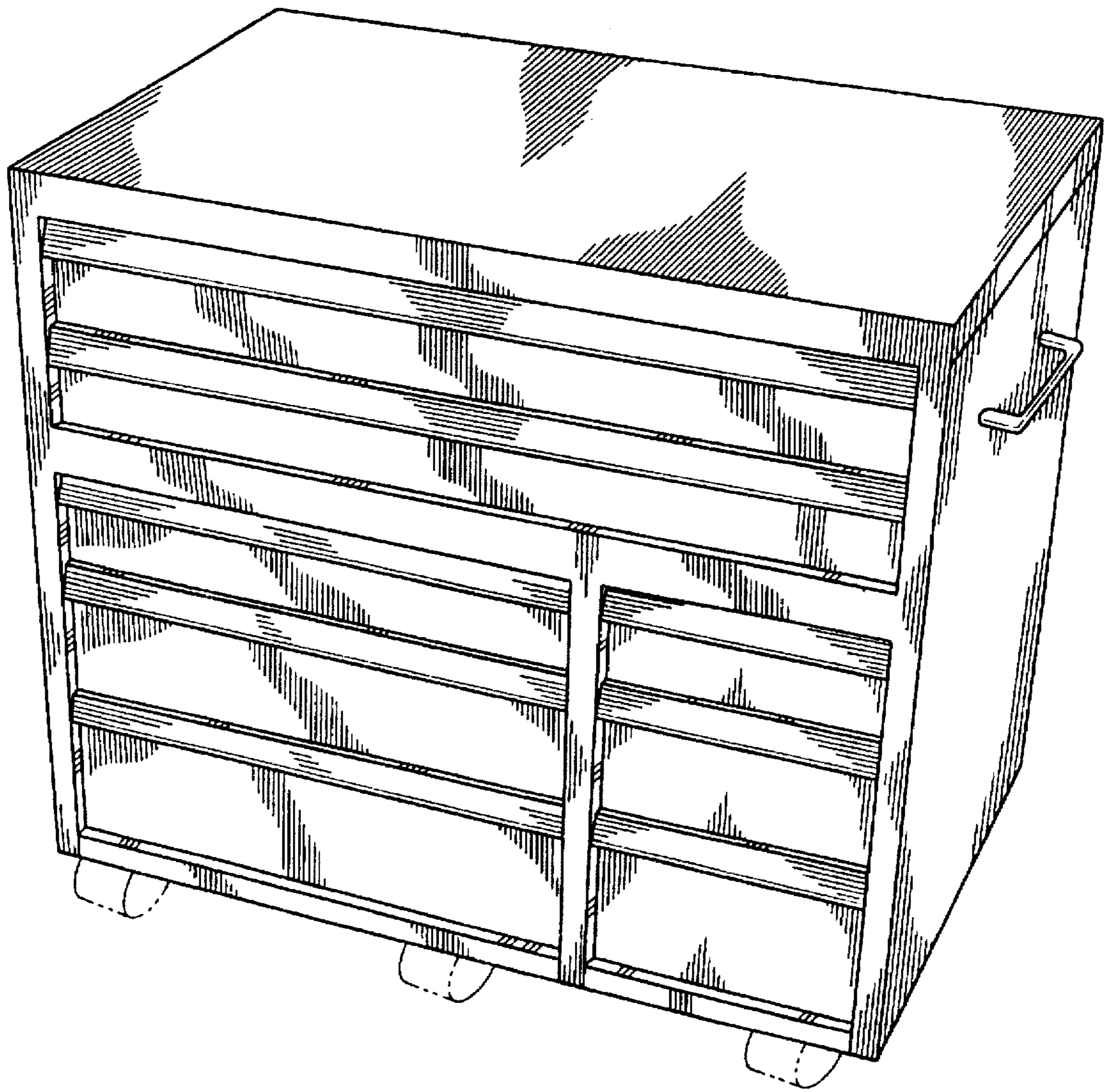


FIG. 1

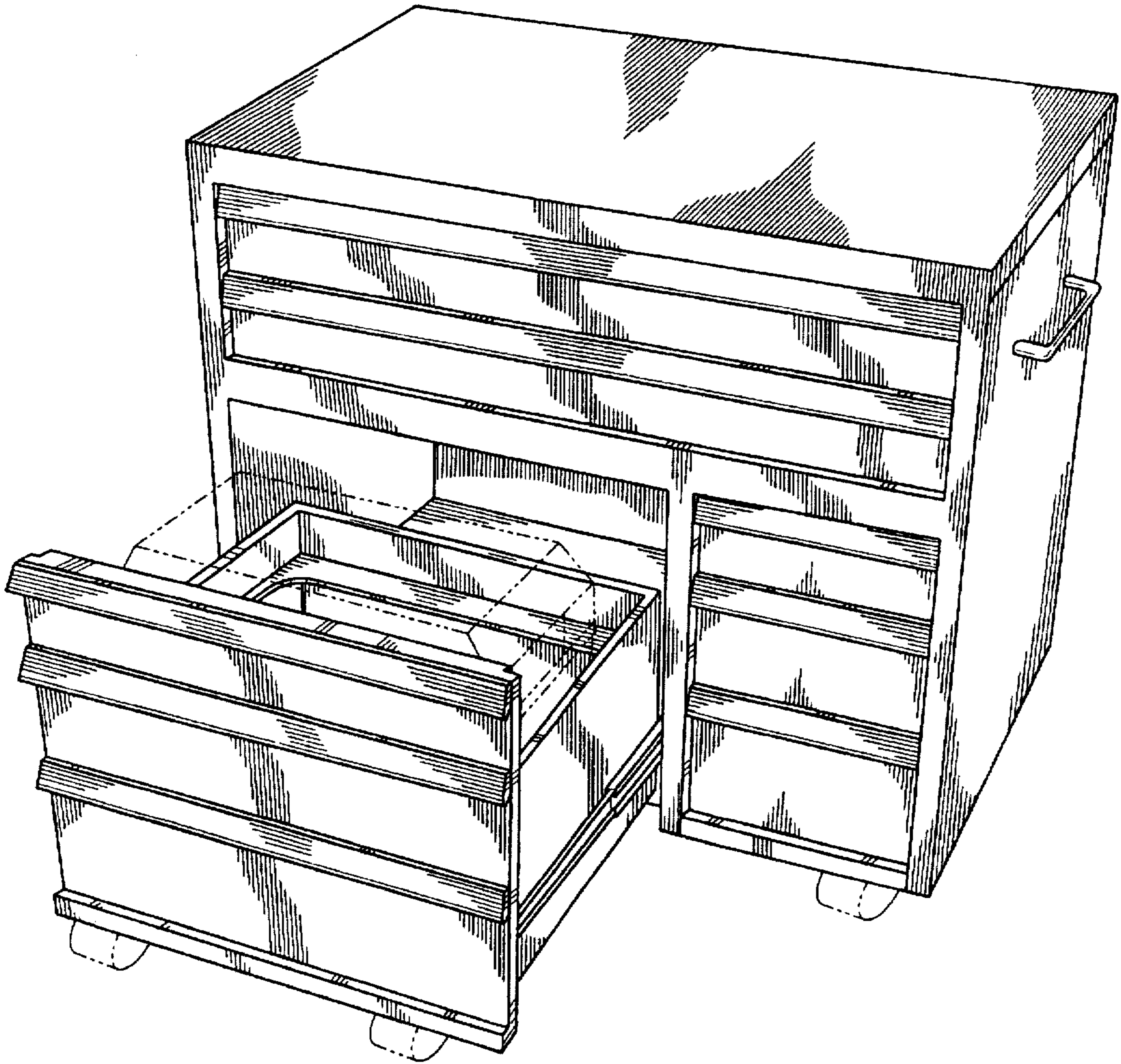


FIG. 2

FIG. 3

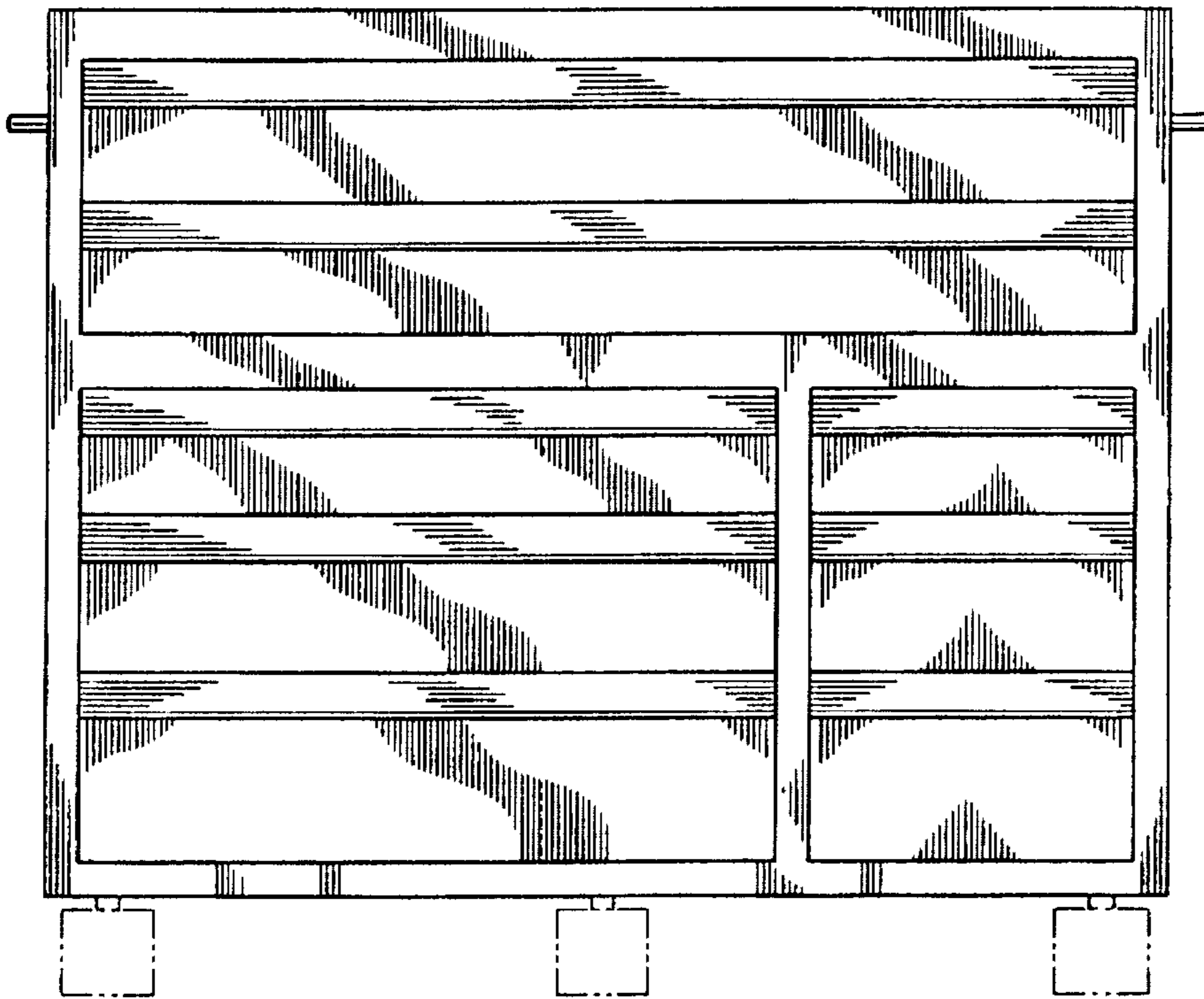


FIG. 4

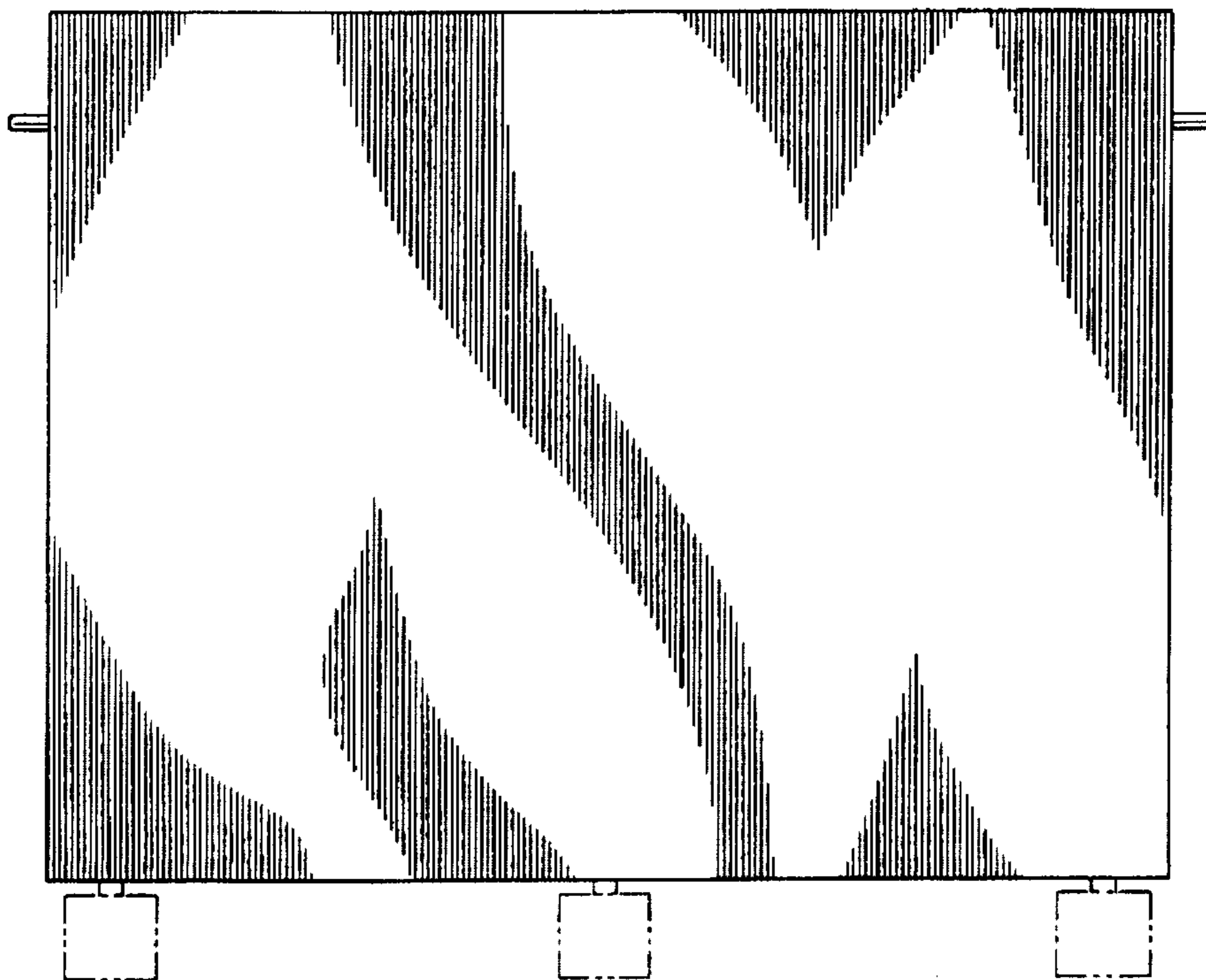
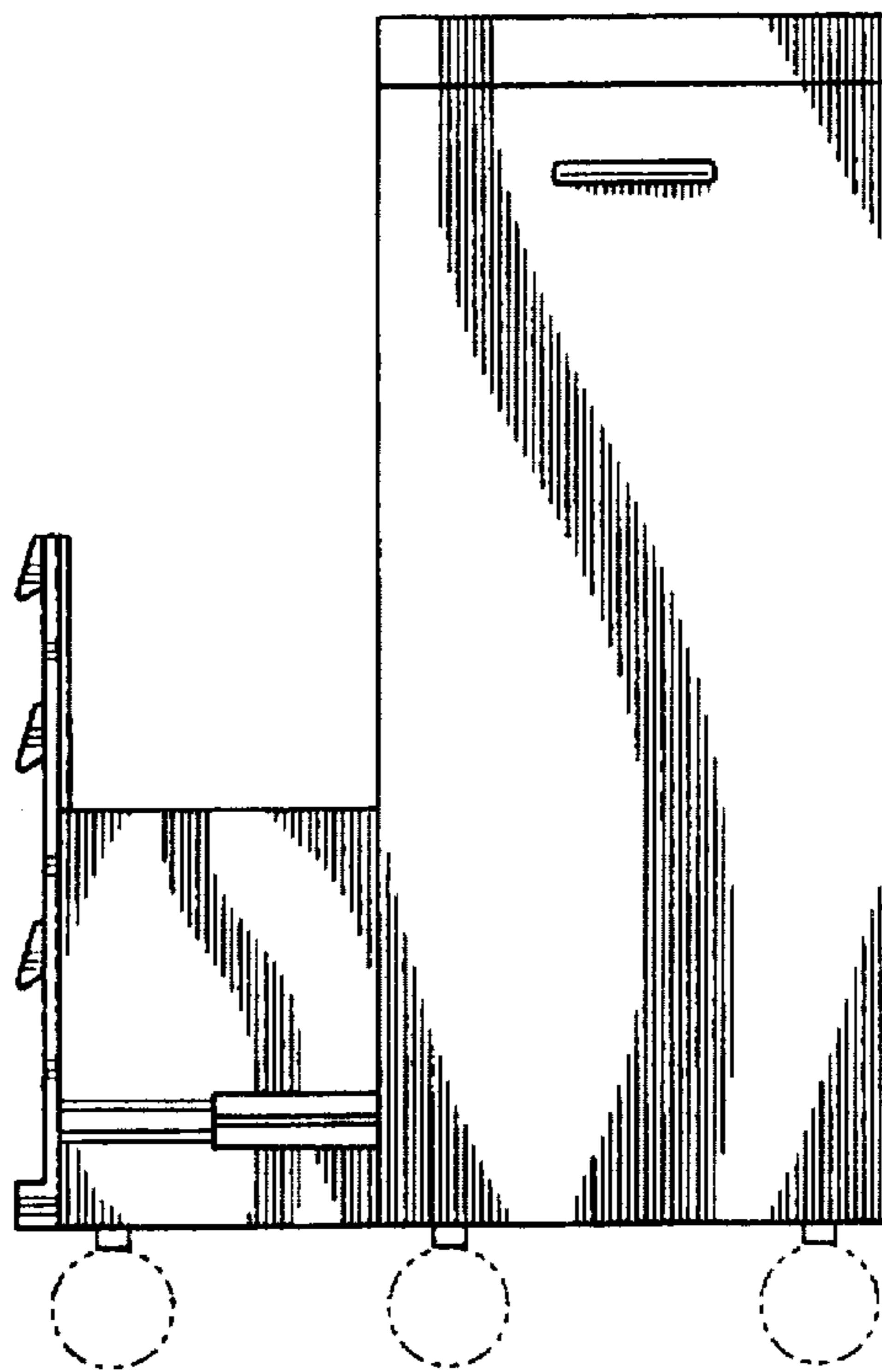


FIG. 5



FIG. 6



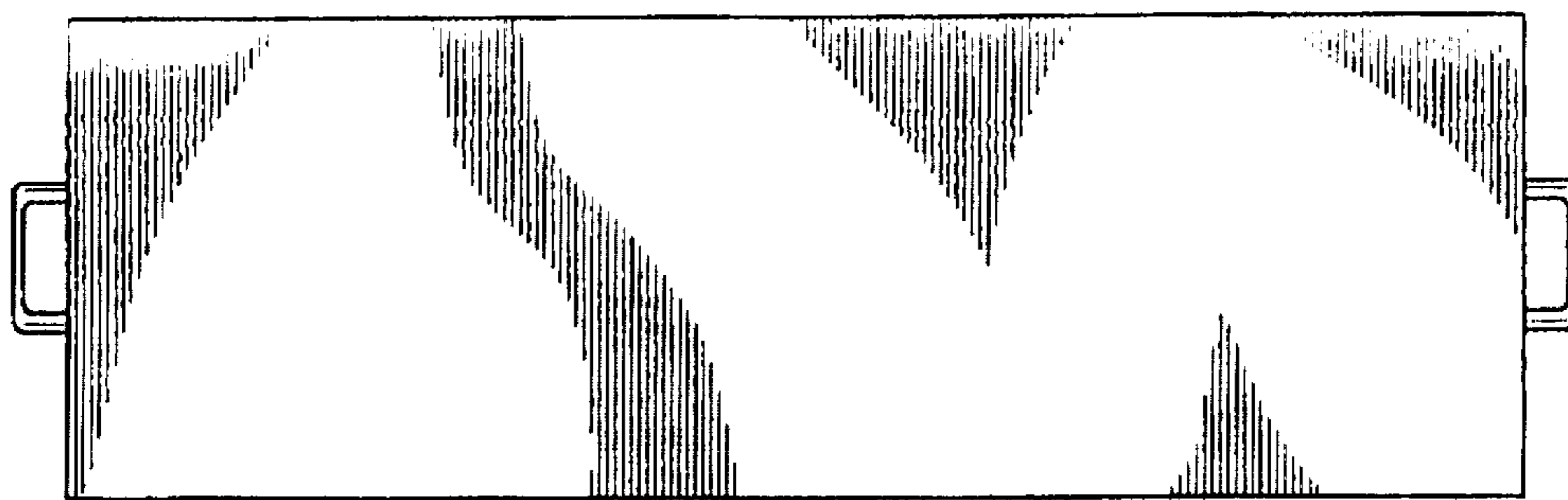


FIG. 7

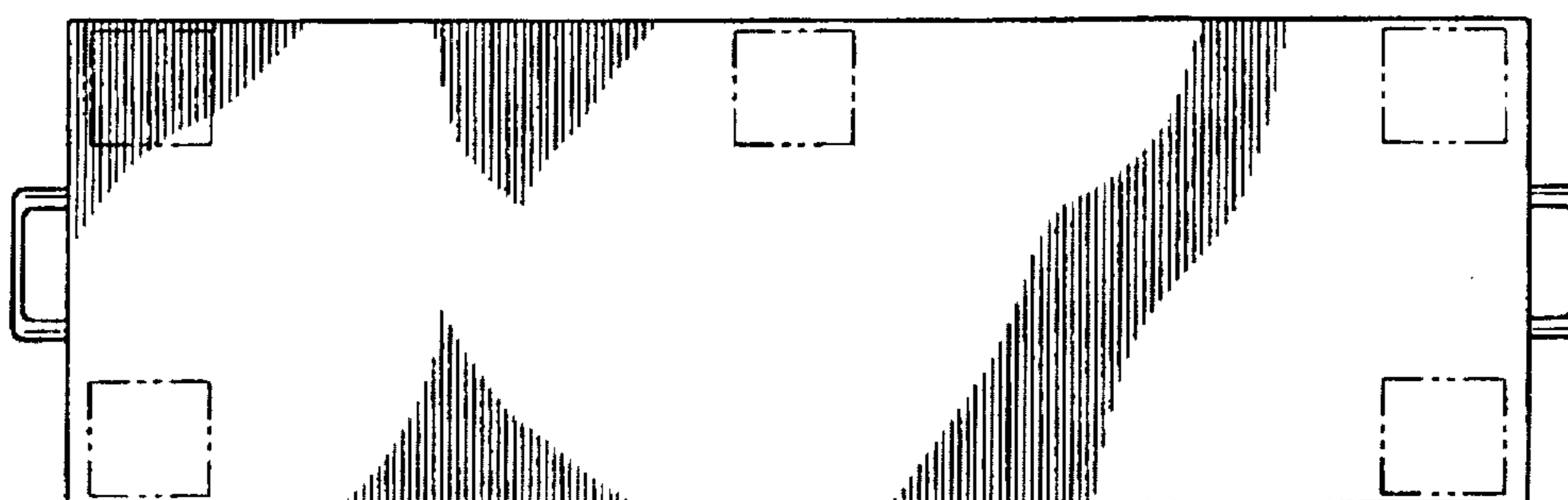


FIG. 8

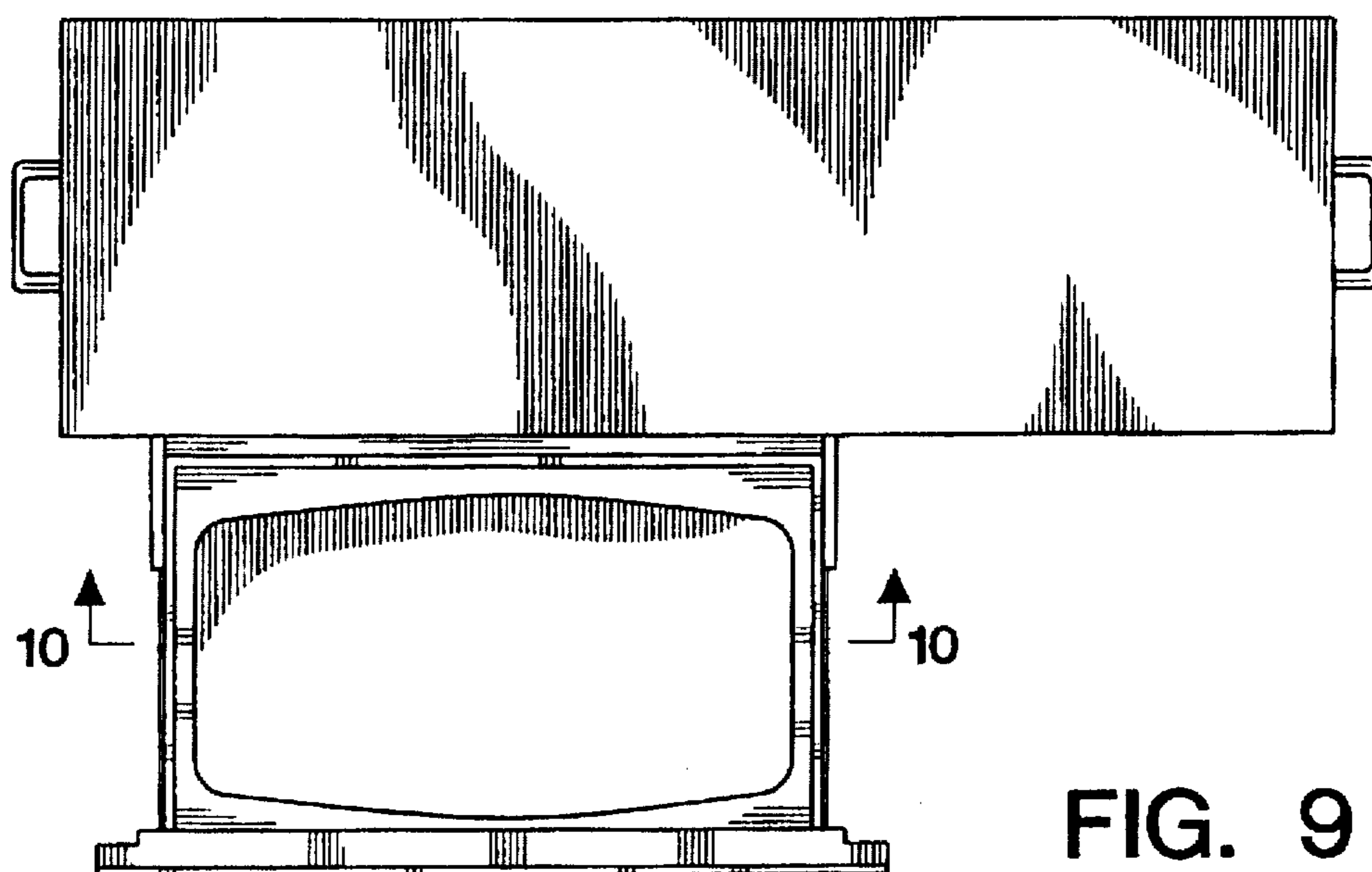


FIG. 9

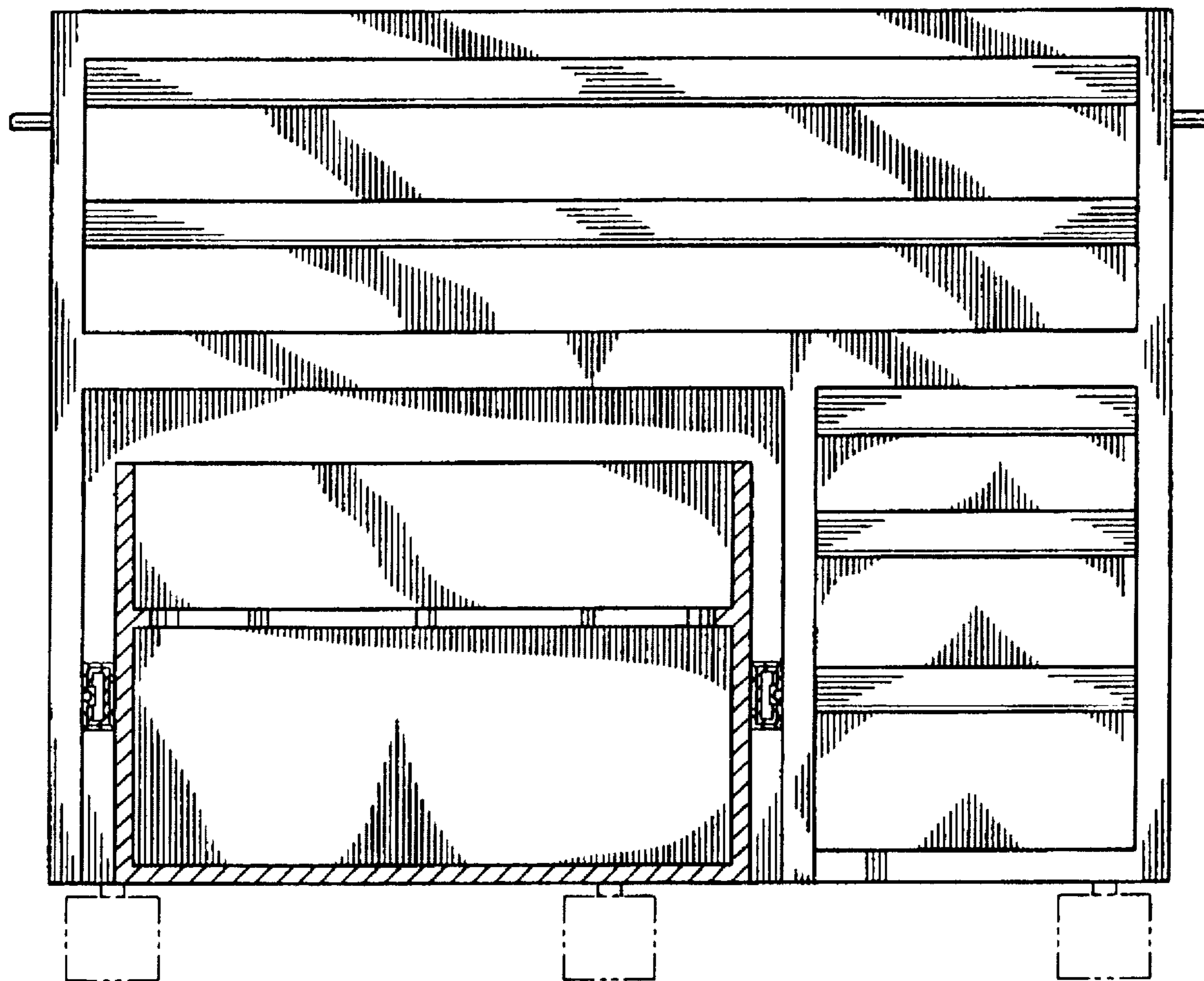


FIG. 10