



US00D387922S

# United States Patent [19]

[11] Patent Number: **Des. 387,922**

Dormon et al.

[45] Date of Patent: **\*\*Dec. 23, 1997**

## [54] PARTITION HOLDER

[75] Inventors: **Nicholas Q. Dormon**, London, United Kingdom; **David A. Oetman**, Grand Rapids, Mich.

[73] Assignee: **Steelcase Inc.**, Grand Rapids, Mich.

[\*\*] Term: **14 Years**

[21] Appl. No.: **55,593**

[22] Filed: **Jun. 7, 1996**

[51] LOC (6) Cl. .... **06-06**

[52] U.S. Cl. .... **D6/418; D19/90; D20/43; D8/373**

[58] **Field of Search** ..... D6/418, 421, 492; D8/349, 373, 394; D19/65, 75, 78, 86, 90, 91, 99, 100; D20/43; 40/324, 643, 651, 652, 653, 658; 24/457, 531, 545, 555; 52/36.4; 248/473, 475.1, 225.11, 220.22

## [56] References Cited

### U.S. PATENT DOCUMENTS

- D. 206,783 1/1967 McCormick ..... D20/43
- D. 229,706 12/1973 Lewis ..... D6/418 X

1,417,325	5/1922	Hopp et al. ....	D20/43 X
1,704,562	3/1929	Egan .....	40/652
1,940,254	12/1933	Hopp et al. ....	40/652
2,206,775	7/1940	Hoofer .....	40/324
4,466,592	8/1984	Janson .....	40/651 X

*Primary Examiner*—Martie Thompson  
*Attorney, Agent, or Firm*—Price, Heneveld, Cooper, DeWitt & Litton

## [57] CLAIM

The ornamental design for a partition holder, as shown and described.

## DESCRIPTION

FIG. 1 is a front perspective view of a partition holder, showing our new design with the broken line showing of an associated screen being for illustrative purposes only and forming no part of the claimed design;

FIG. 2 is a top plan view;

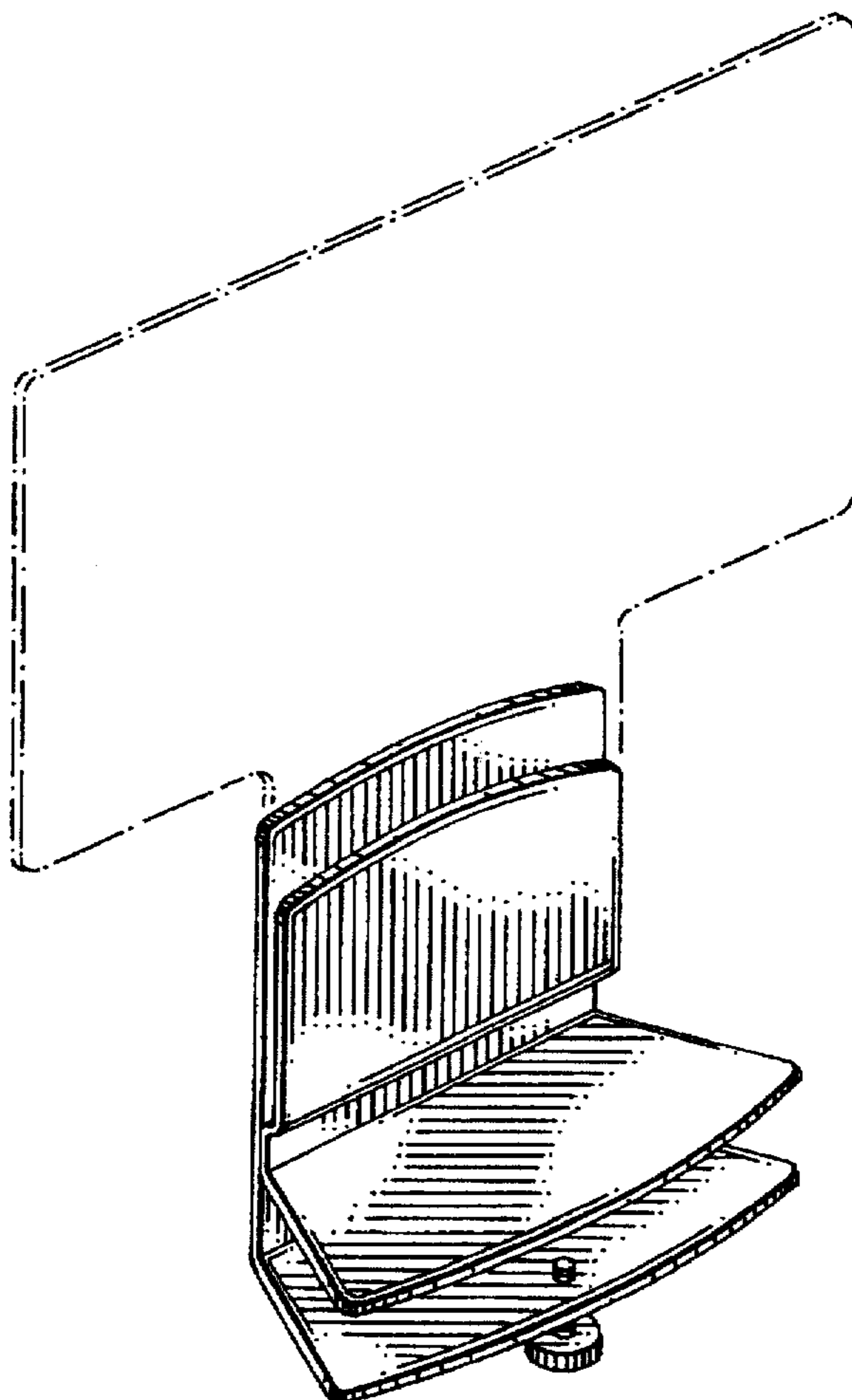
FIG. 3 is a bottom plan view;

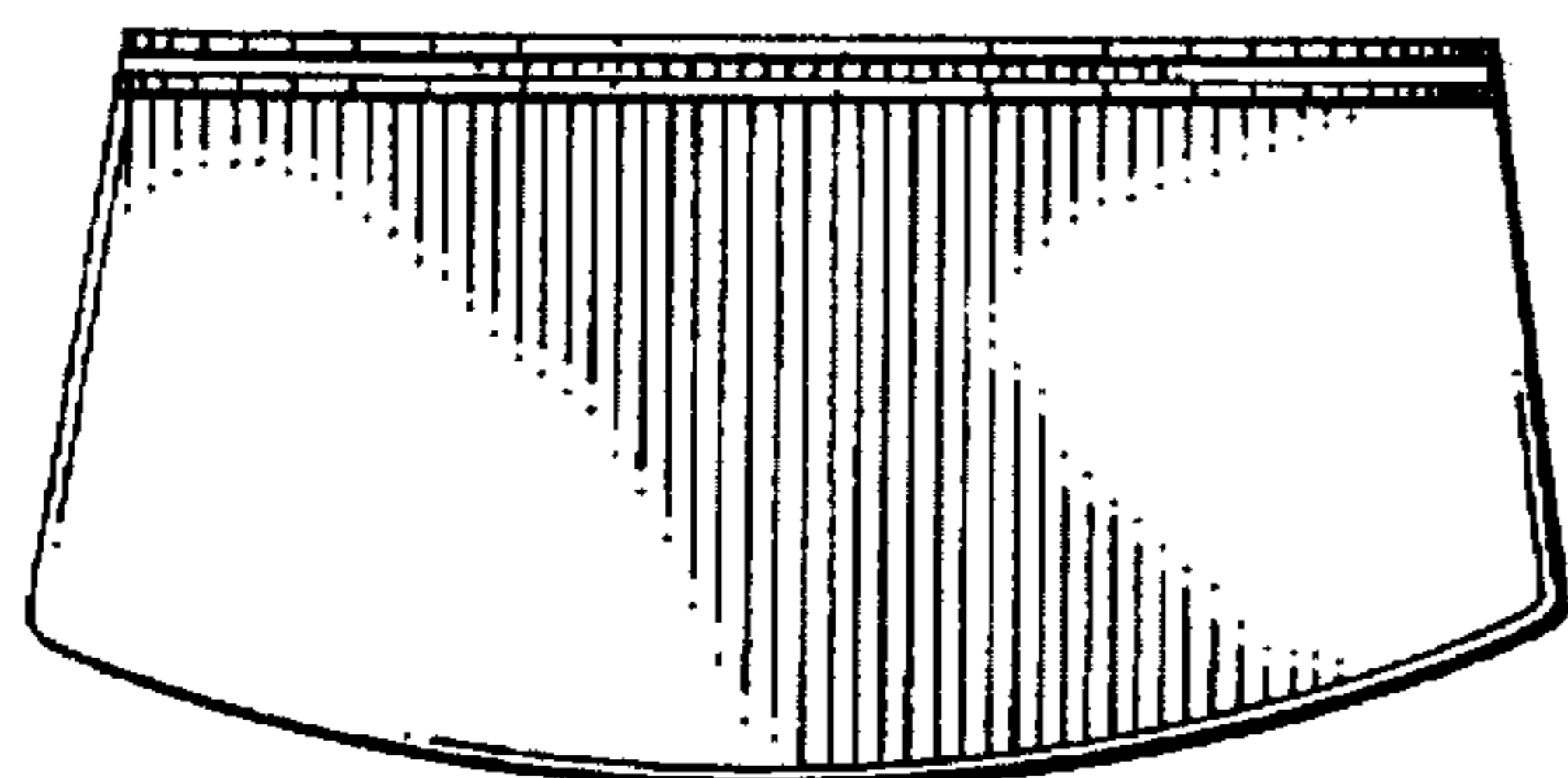
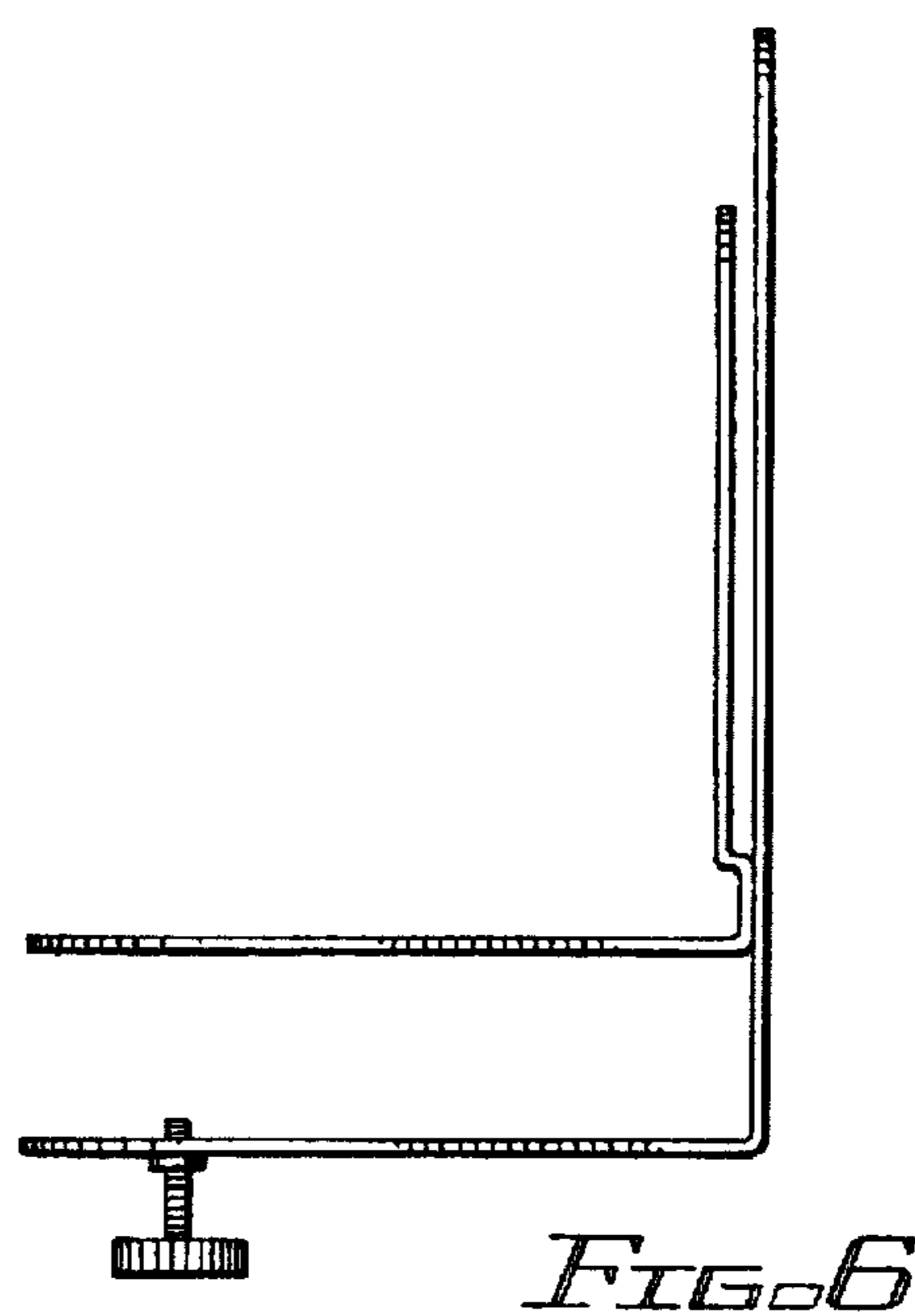
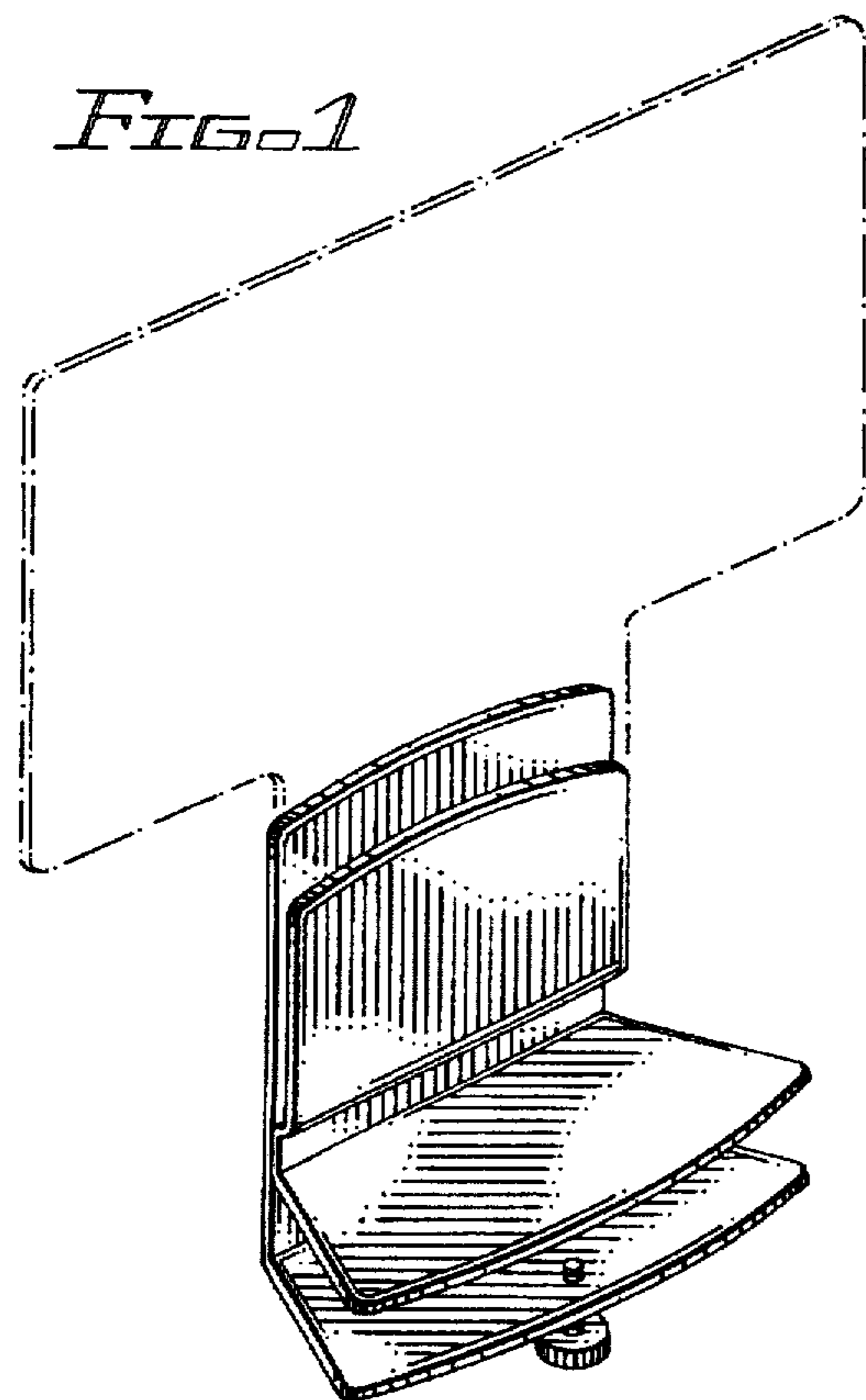
FIG. 4 is a front elevational view;

FIG. 5 is a rear elevational view; and,

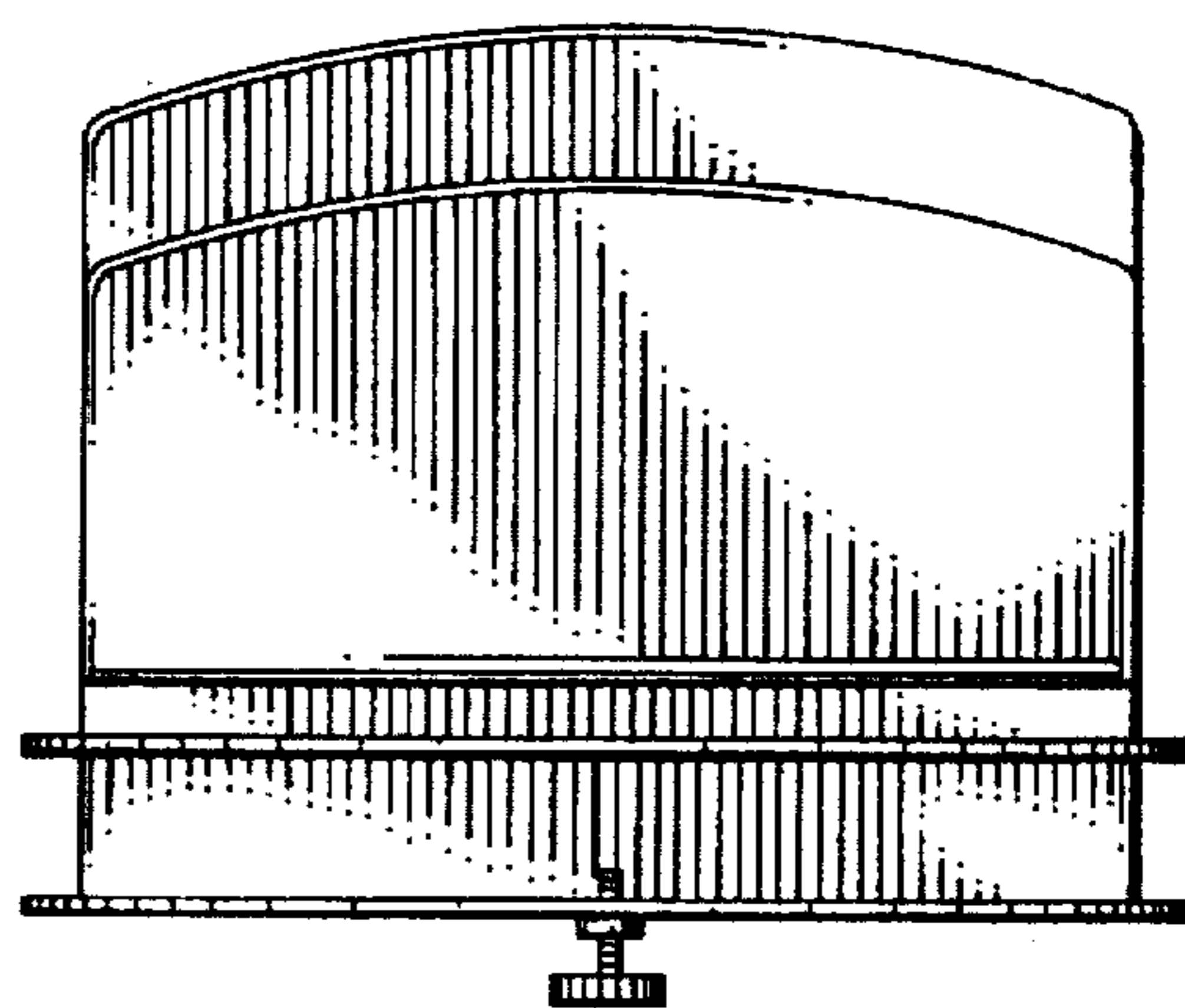
FIG. 6 is a right side elevational view, the left side being a mirror image.

**1 Claim, 1 Drawing Sheet**

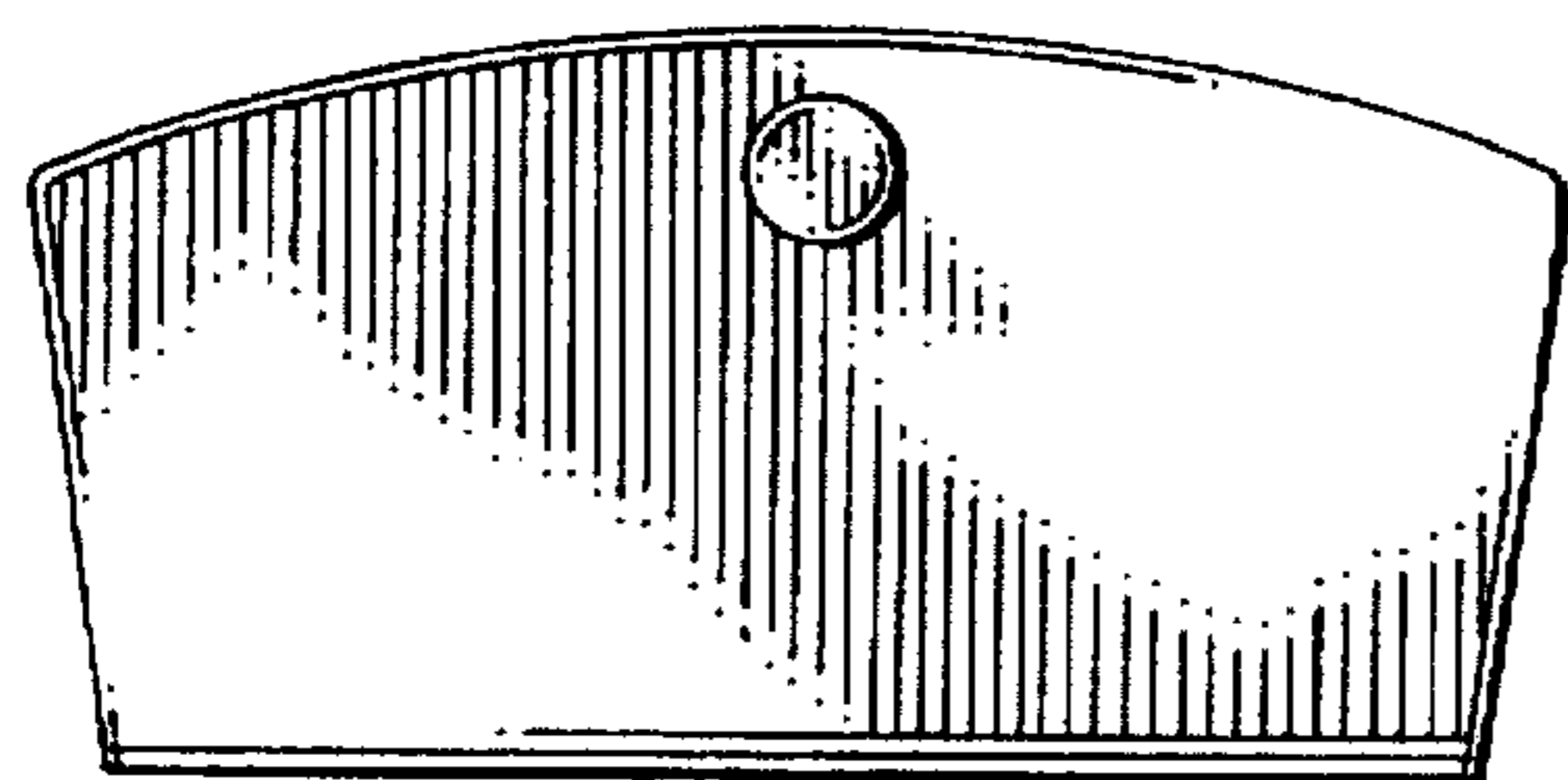




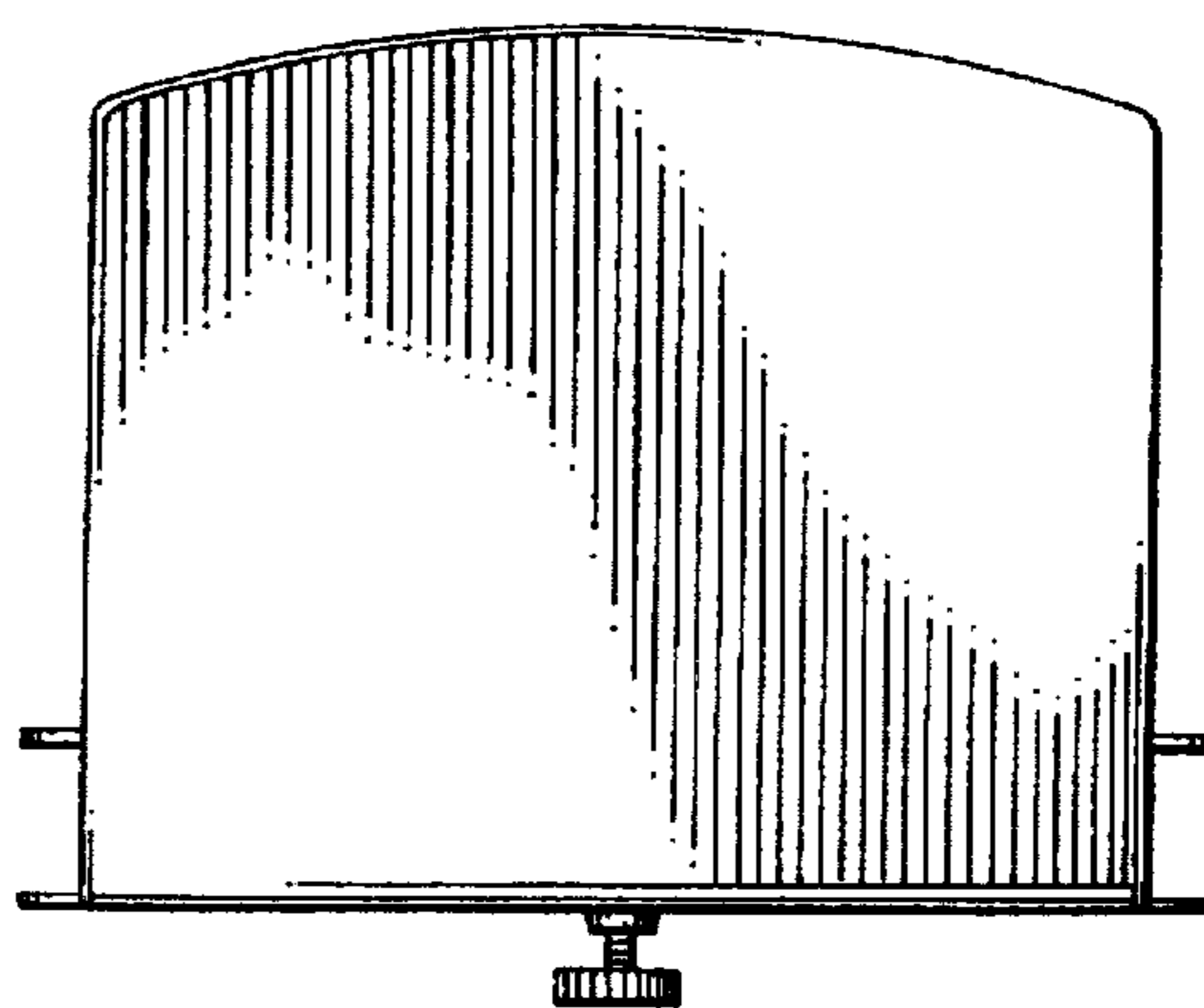
*FIG. 2*



*FIG. 4*



*FIG. 3*



*FIG. 5*