

US00D387921S

United States Patent [19] Shields

[11] Patent Number: **Des. 387,921**

[45] Date of Patent: ****Dec. 23, 1997**

[54] **BEACH TABLE**

[76] Inventor: **Michael R. Shields**, 1702 Three Meadows Rd., Greensboro, N.C. 27408

[**] Term: **14 Years**

[21] Appl. No.: **60,641**

[22] Filed: **Oct. 3, 1996**

[51] LOC (6) Cl. **06-04**

[52] U.S. Cl. **D6/417; D6/486**

[58] Field of Search **D6/417, 486, 495; D7/552, 553, 558; 108/25, 50, 150; 135/16, 118; 248/156, 530, 533, 545**

[56] **References Cited**

U.S. PATENT DOCUMENTS

D. 238,726	2/1976	Labik	D6/417
D. 353,742	12/1994	Lewis et al.	D6/558
D. 372,612	8/1996	Credle, Sr.	D6/511
2,190,222	2/1940	Strasser	248/156 X
2,603,440	7/1952	Le Vesconte et al.	248/156
2,607,648	8/1952	Metcalf	248/156 X
3,182,936	5/1965	Murdock	
3,875,873	4/1975	Howitt	108/25
4,625,656	12/1986	Brickman	108/25
4,659,049	4/1987	Watson	248/156 X
4,852,835	8/1989	Ciulli	248/156

4,920,897	5/1990	Reed et al.	108/150
5,417,166	5/1995	Credle, Sr.	108/50

FOREIGN PATENT DOCUMENTS

465880	6/1950	Canada	108/150
--------	--------	--------	-------	---------

OTHER PUBLICATIONS

Photocopy of clipping from newspaper regarding Michael T. Credle's beach tables—one page—undated, prior to Oct. 3, 1996.

Photocopies of price list of beach tables by Michael T. Credle, Sr.—one page—undated, prior to Oct. 3, 1996.

Primary Examiner—Carmen H. Vales-Lado

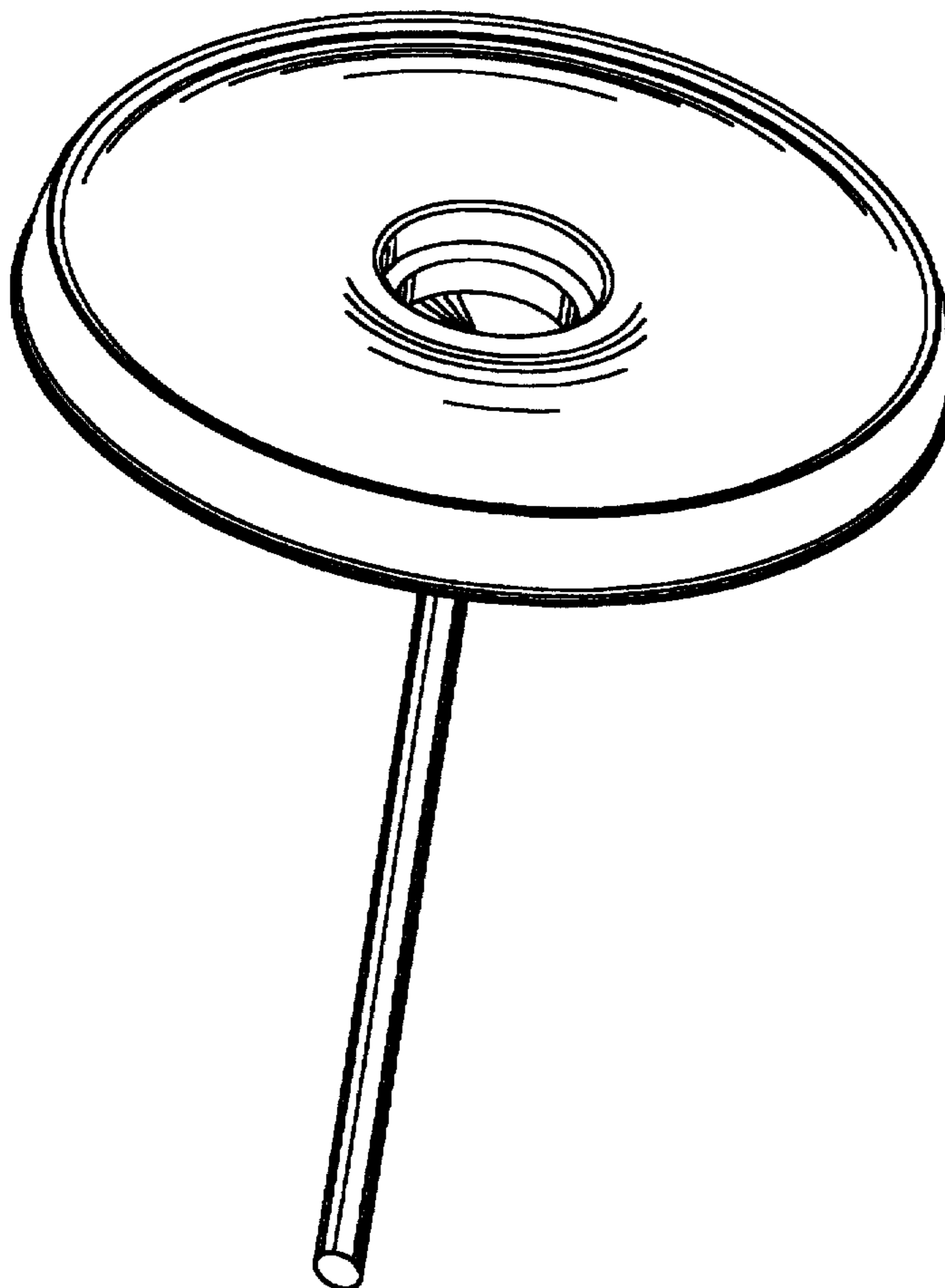
[57] CLAIM

The ornamental design for a beach table, as shown and described.

DESCRIPTION

FIG. 1 is a perspective view of a beach table showing my new design;
FIG. 2 is a top plan view thereof;
FIG. 3 is a side elevational view thereof;
FIG. 4 is a bottom plan view thereof; and,
FIG. 5 is a bottom plan view of a second embodiment of the beach table shown in FIG. 4, the other views being identical thereof.

1 Claim, 2 Drawing Sheets



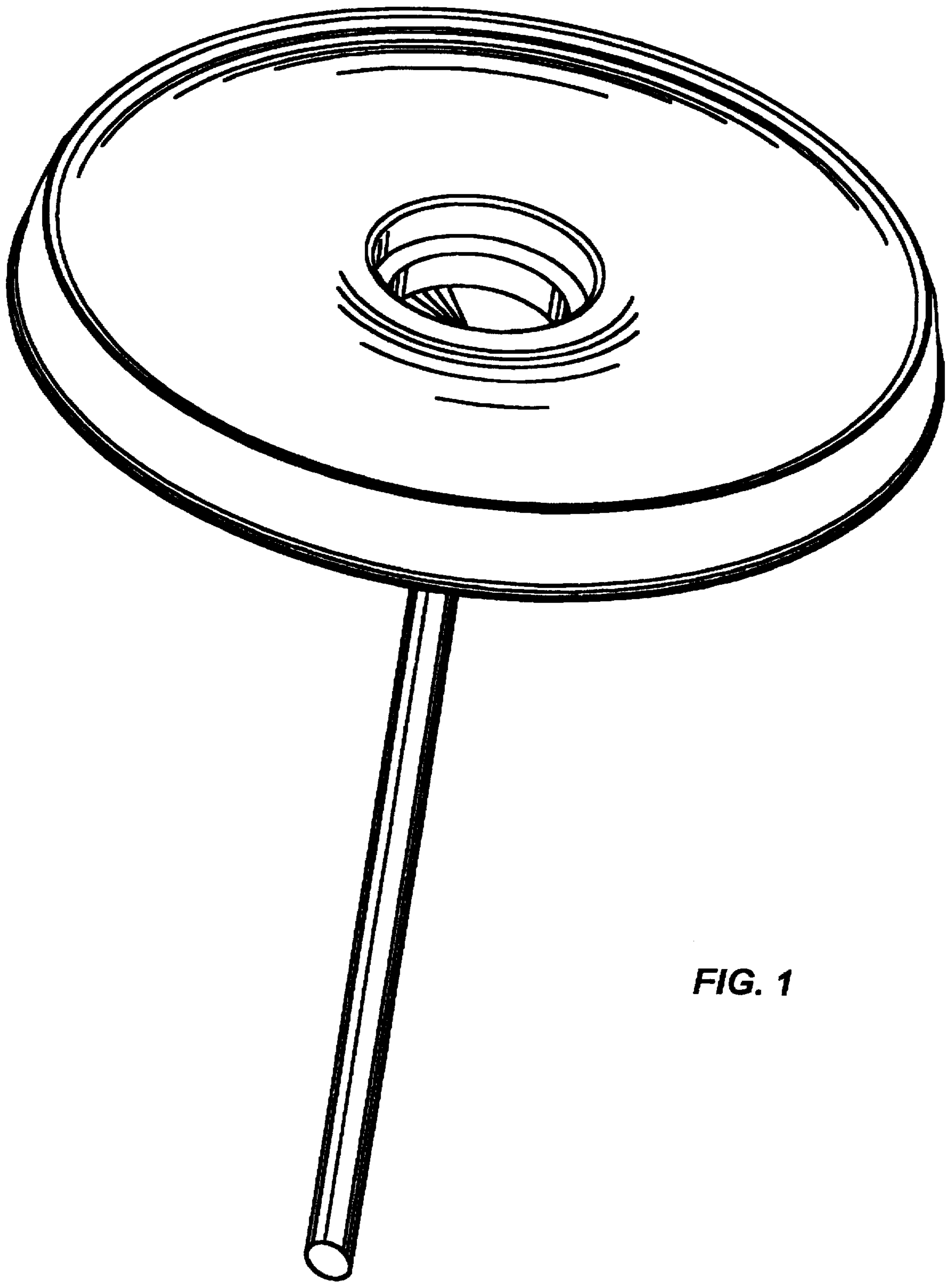


FIG. 1

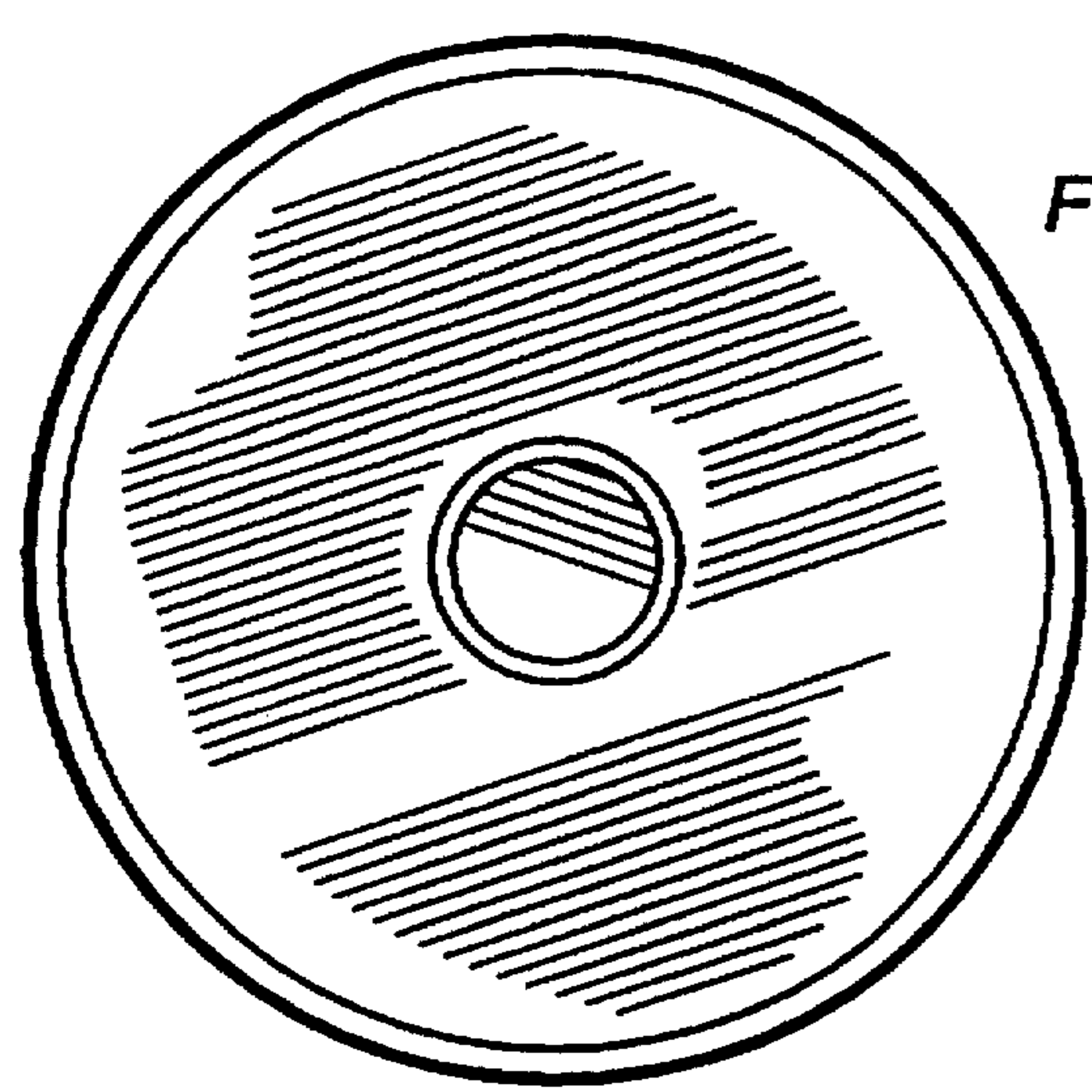


FIG. 2

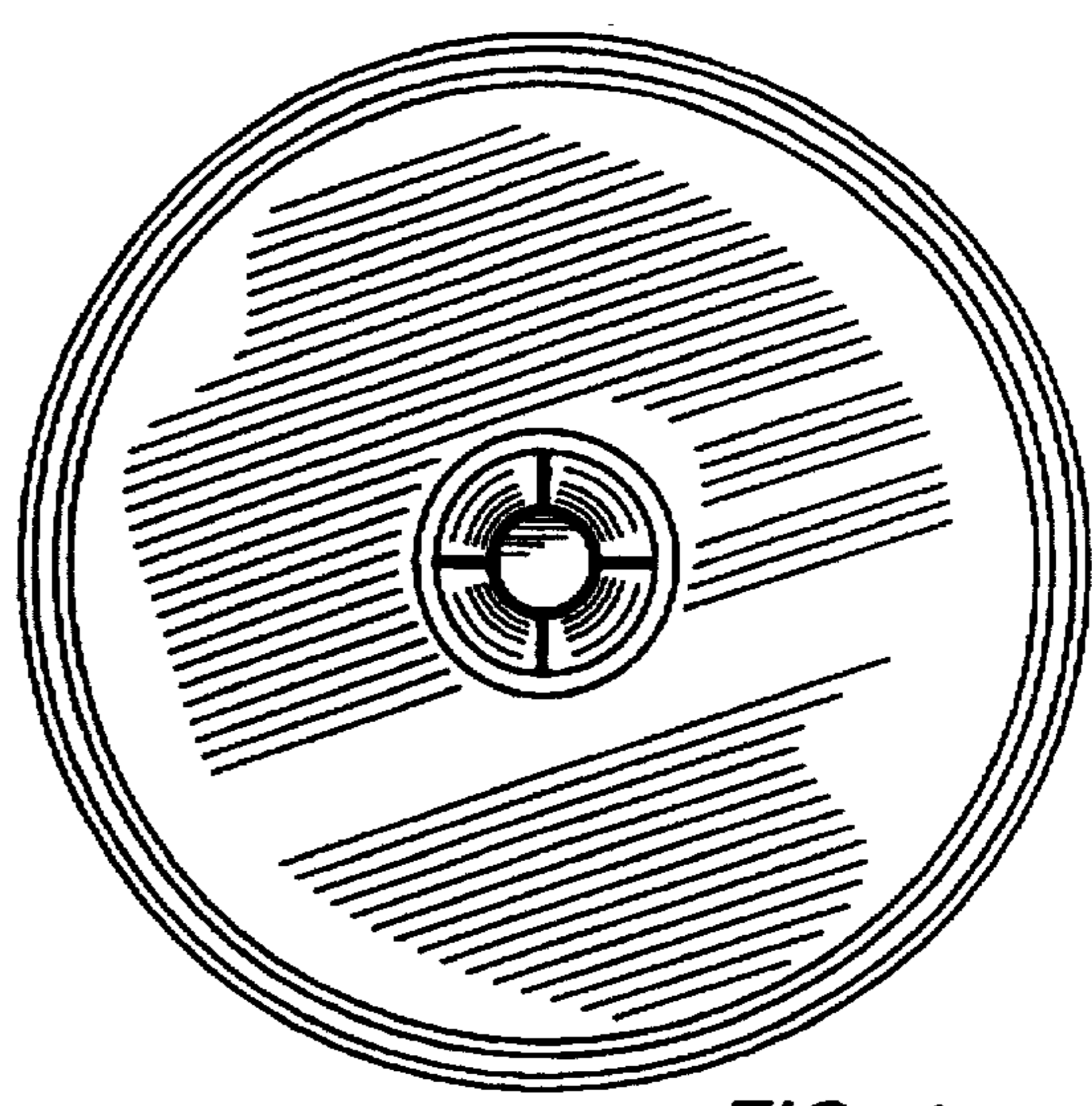


FIG. 4

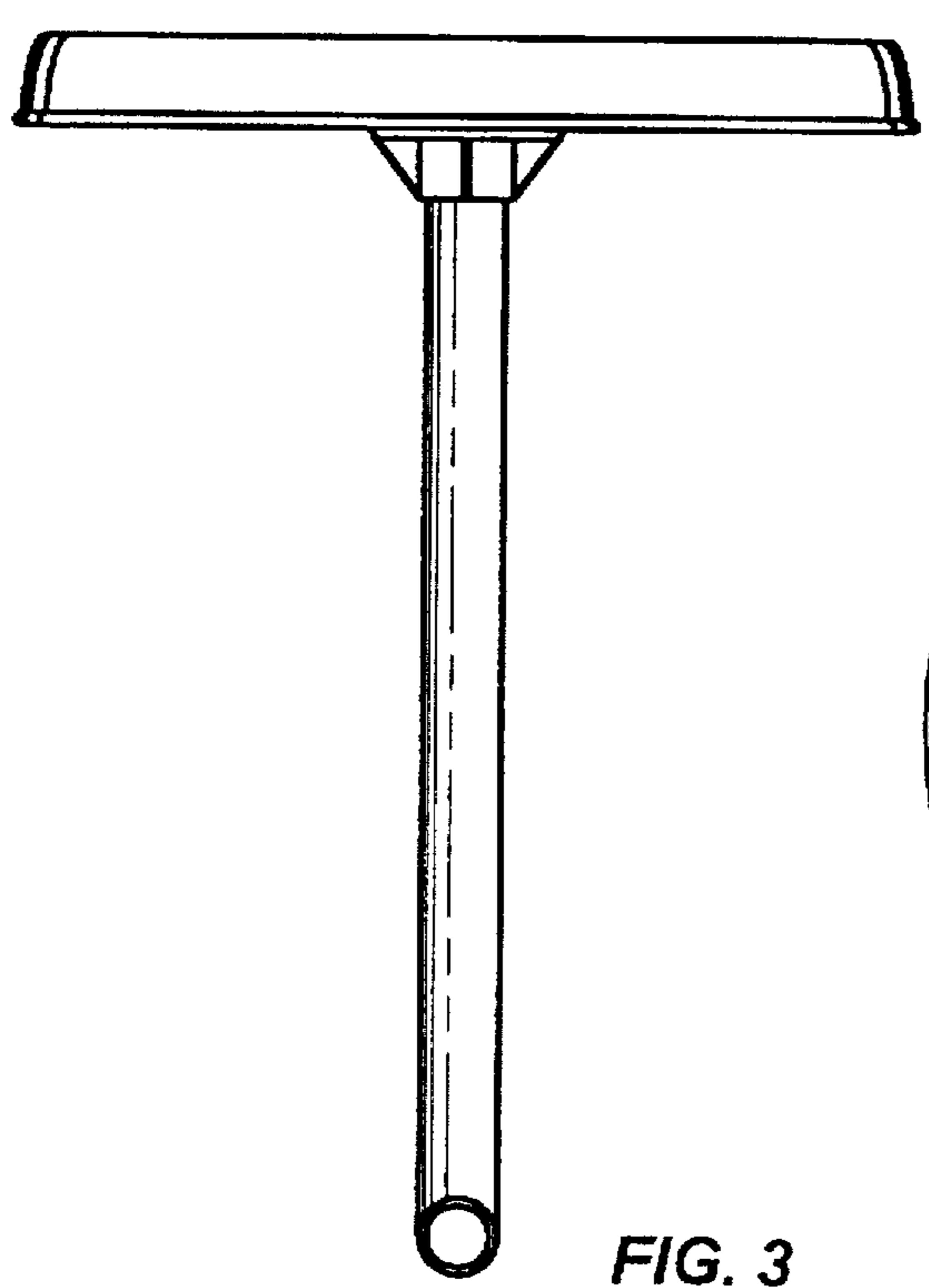


FIG. 3

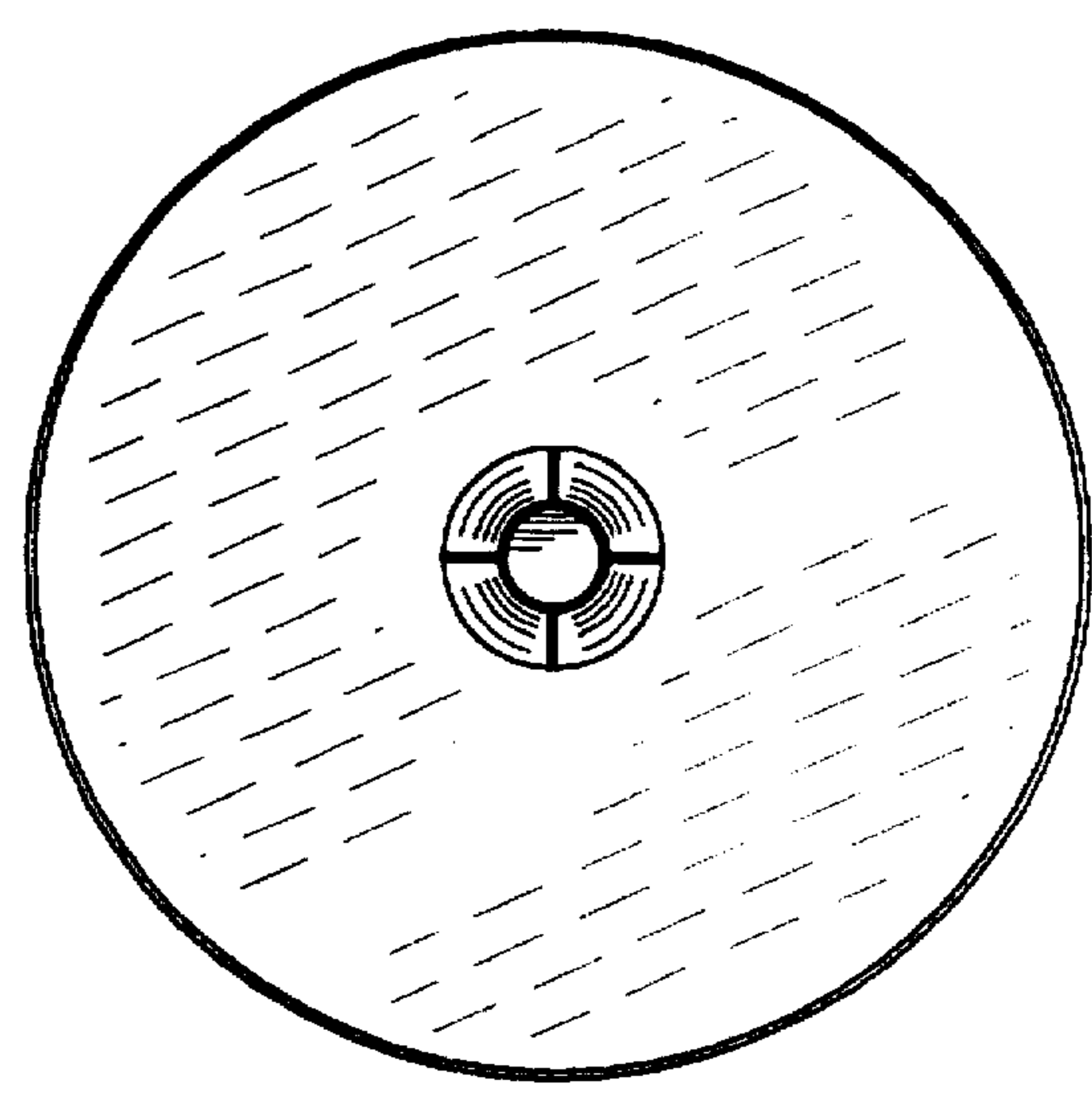


FIG. 5