



US00D387916S

United States Patent [19]

Saban

[11] Patent Number: **Des. 387,916**

[45] Date of Patent: ****Dec. 23, 1997**

[54] **BENCH**

[76] Inventor: **Rick Saban**, 11108 W. 84th Pl., Willow Springs, Ill. 60480

[**] Term: **14 Years**

[21] Appl. No.: **60,389**

[22] Filed: **Sep. 27, 1996**

[51] LOC (6) Cl. **06-01**

[52] U.S. Cl. **D6/358; D6/370; D6/381**

[58] Field of Search D6/334, 395, 345, D6/351, 358, 370, 374, 380, 381, 500, 501, 502; D21/227-229; 297/181, 232, 452.63

[56] **References Cited**

U.S. PATENT DOCUMENTS

D. 51,553	12/1917	Haase	D6/370
D. 67,030	4/1925	Haase	D6/370
D. 120,222	4/1940	Harman .	
D. 148,289	1/1948	Discher	D6/374
D. 217,243	4/1970	Gawrys .	
D. 236,995	9/1975	Porsche	D21/229
D. 237,434	11/1975	LeMay, Jr.	D6/370
D. 266,688	10/1982	Arnsteiner	D21/229
D. 287,672	1/1987	Holl	D6/370
D. 345,656	4/1994	Theobald .	
D. 349,411	8/1994	Marriott et al. .	
4,762,339	8/1988	Hoek .	
4,786,082	11/1988	Swietlik .	
5,118,136	6/1992	Johnson .	
5,441,184	8/1995	Durso .	

OTHER PUBLICATIONS

"Reeski", Aspen Colorado, catalogue, undated.

Primary Examiner—Gary D. Watson

Attorney, Agent, or Firm—Brinks Hofer Gilson & Lione

[57] **CLAIM**

The ornamental design for a bench, as shown and described.

DESCRIPTION

FIG. 1 is a perspective view of a first embodiment of a bench;

FIG. 2 is a left side view of the first embodiment of the bench, the right side thereof being substantially identical to the left side;

FIG. 3 is a front view of the first embodiment of the bench; FIG. 4 is a top view of the first embodiment of the bench; FIG. 5 is a rear view of the first embodiment of the bench; FIG. 6 is a bottom view of the first embodiment of the bench; FIG. 7 is a perspective view of a second embodiment of a bench;

FIG. 8 is a left side view of the second embodiment of the bench, the right side thereof being substantially identical to the left side;

FIG. 9 is a front view of the second embodiment of the bench;

FIG. 10 is a top view of the second embodiment of the bench;

FIG. 11 is a rear view of the second embodiment of the bench; and,

FIG. 12 is a bottom view of the second embodiment of the bench.

1 Claim, 6 Drawing Sheets

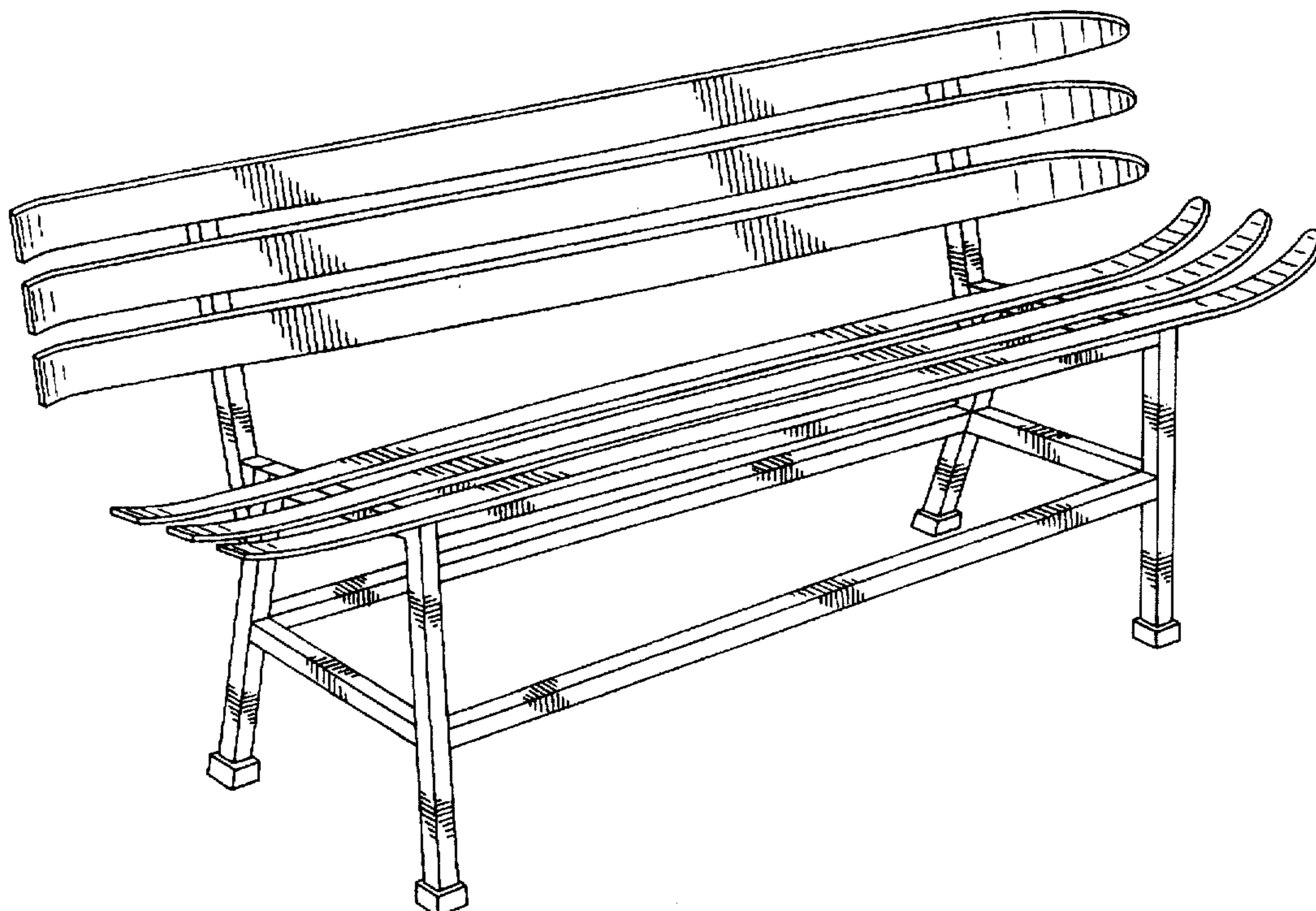


FIG. 1

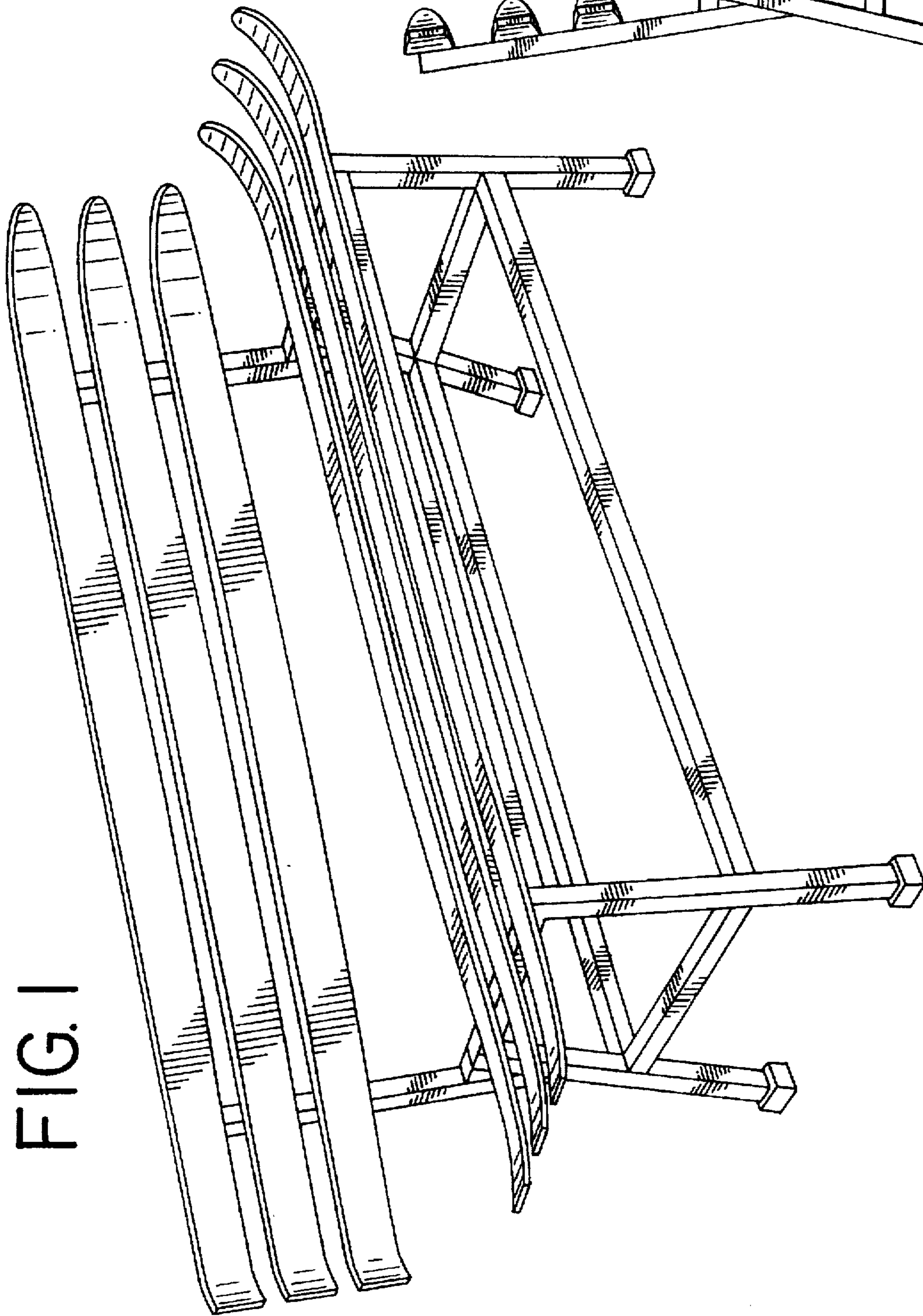
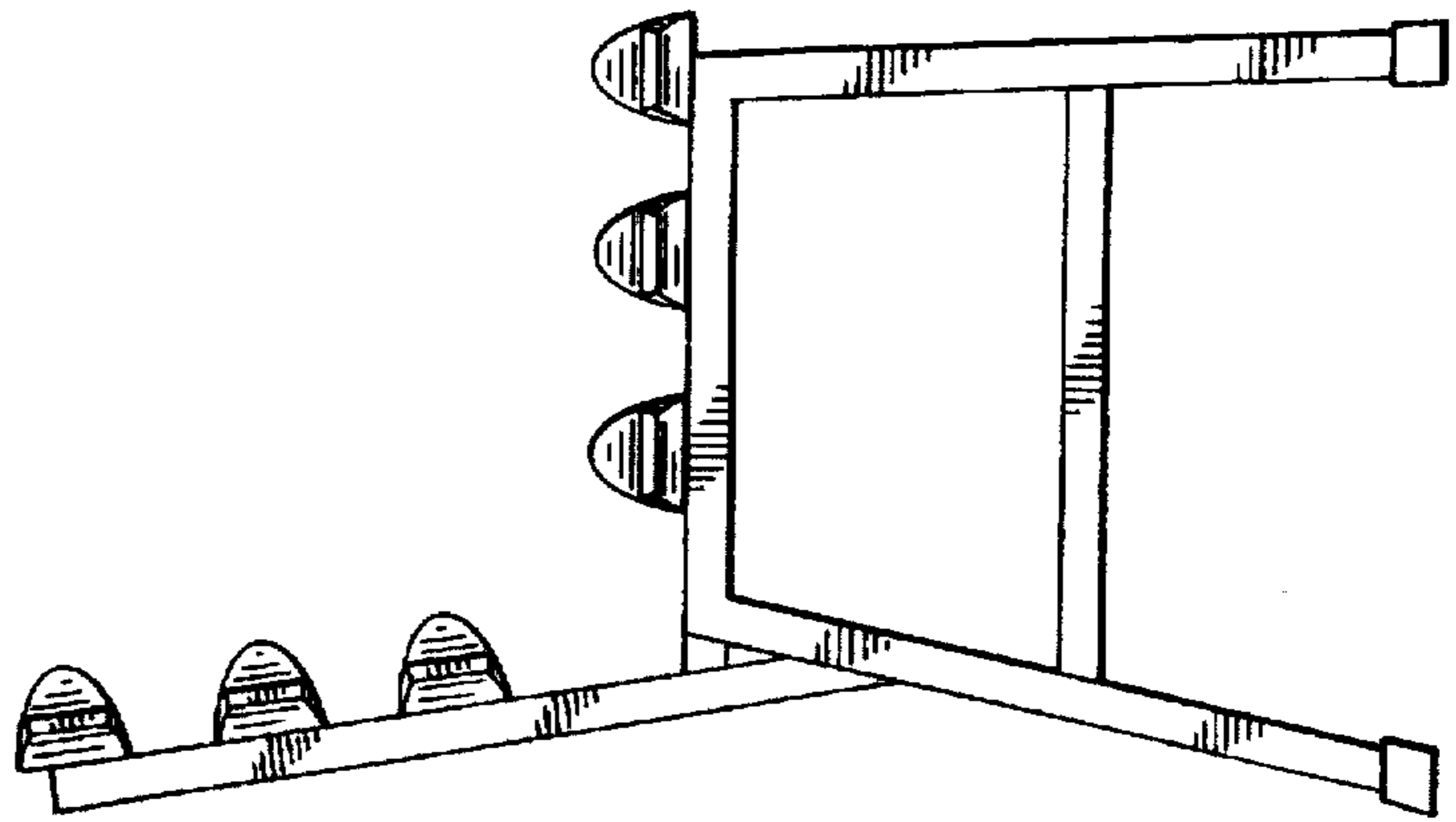


FIG. 2



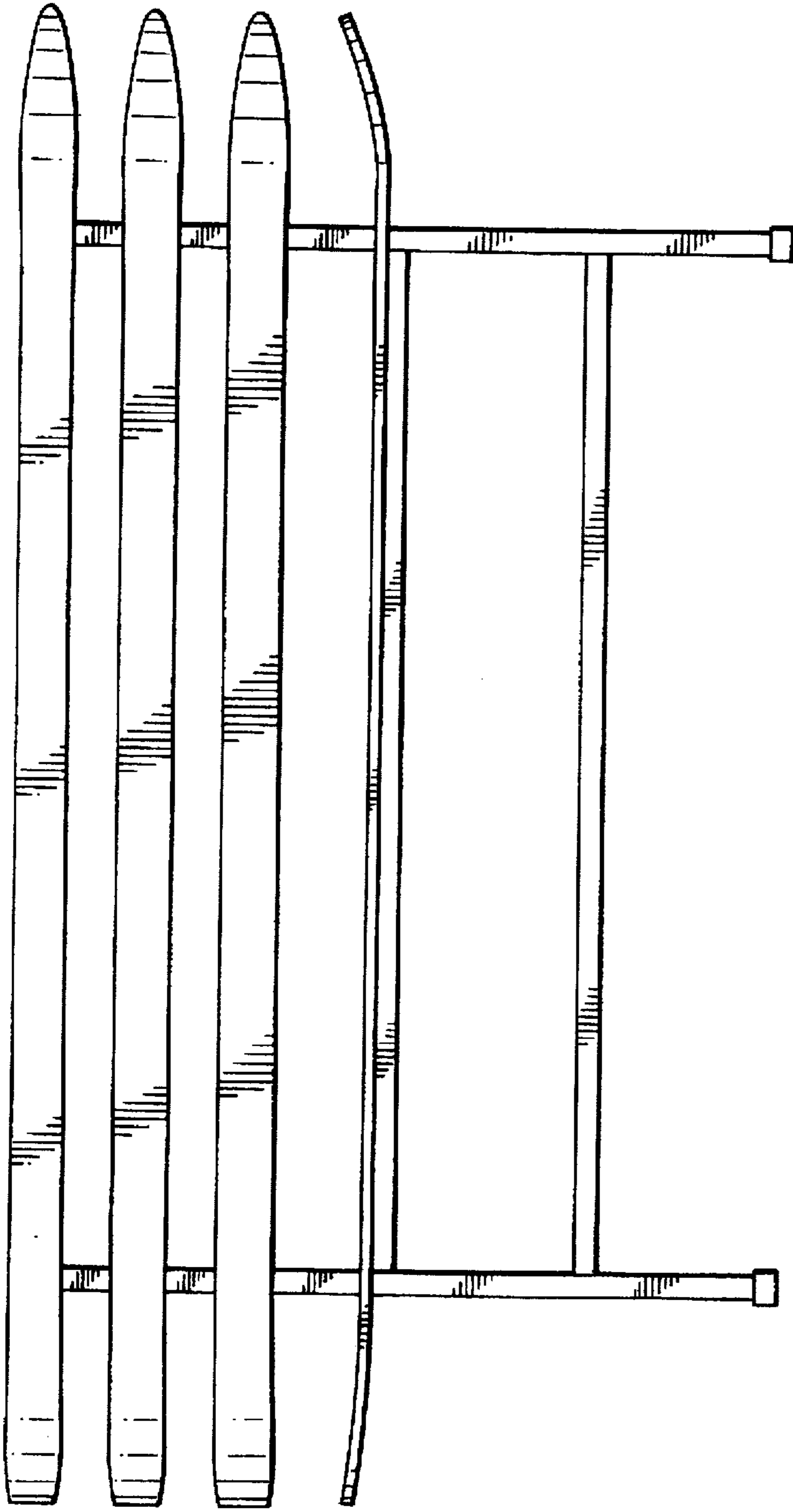


FIG. 3

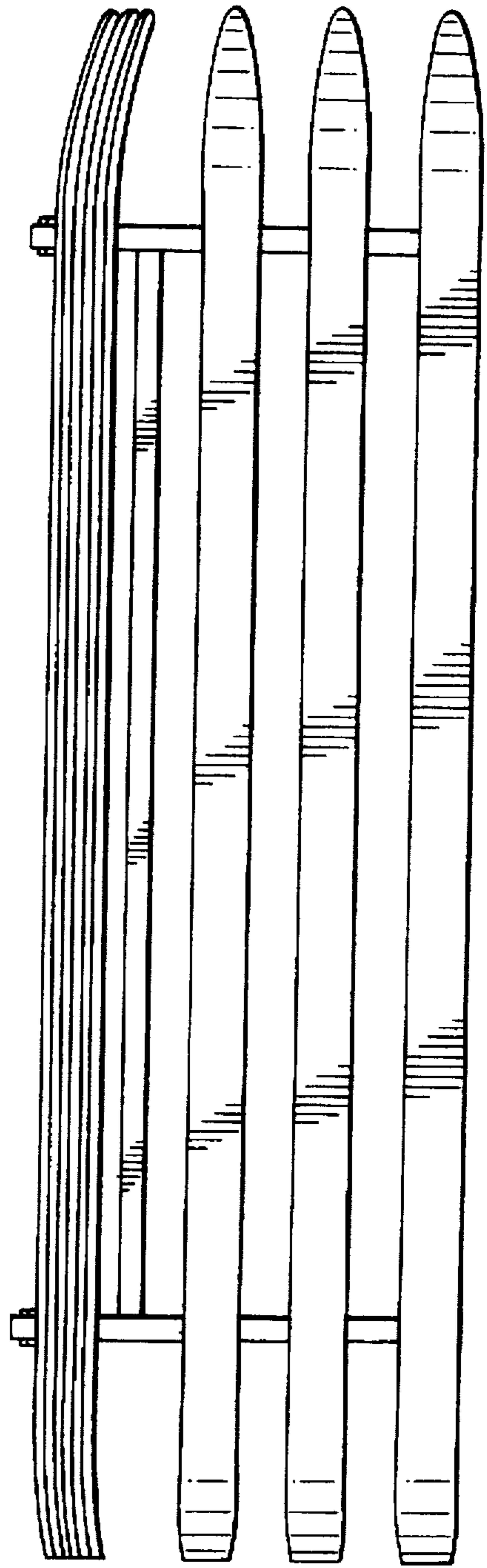


FIG. 4

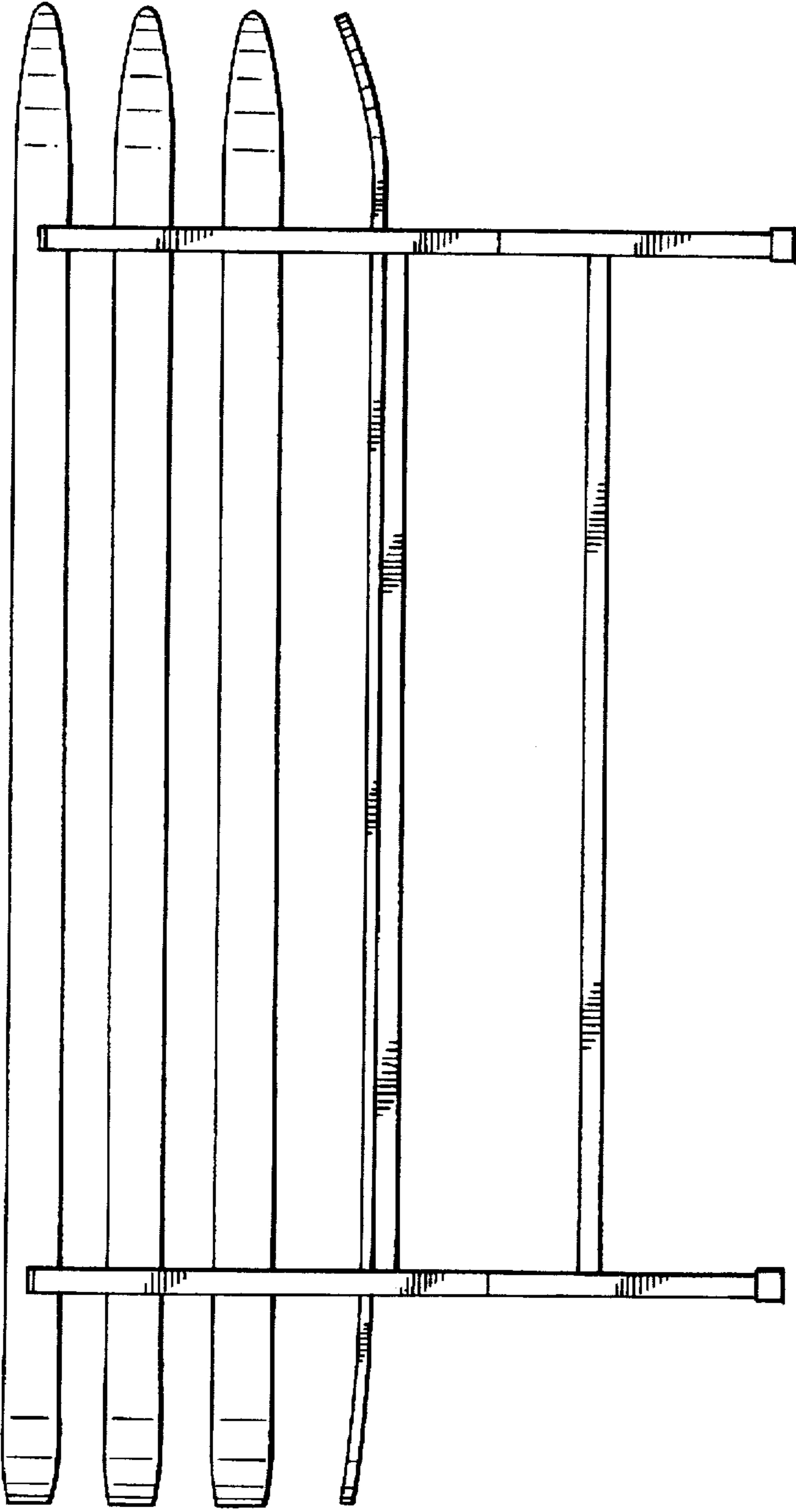


FIG. 5

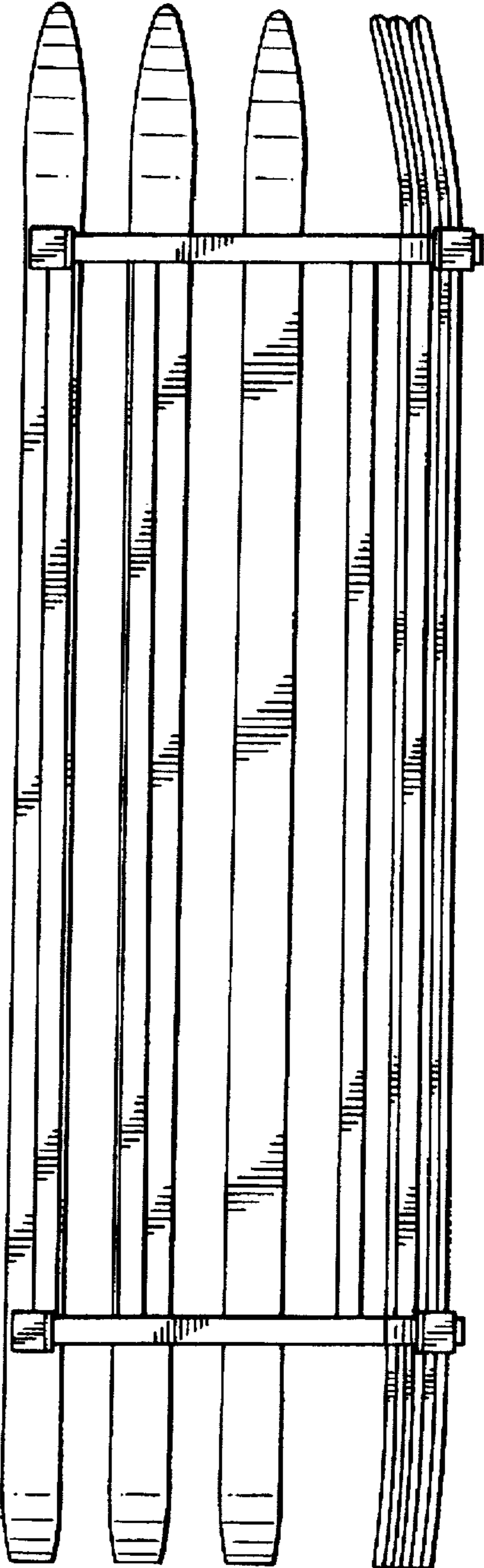


FIG. 6

FIG. 7

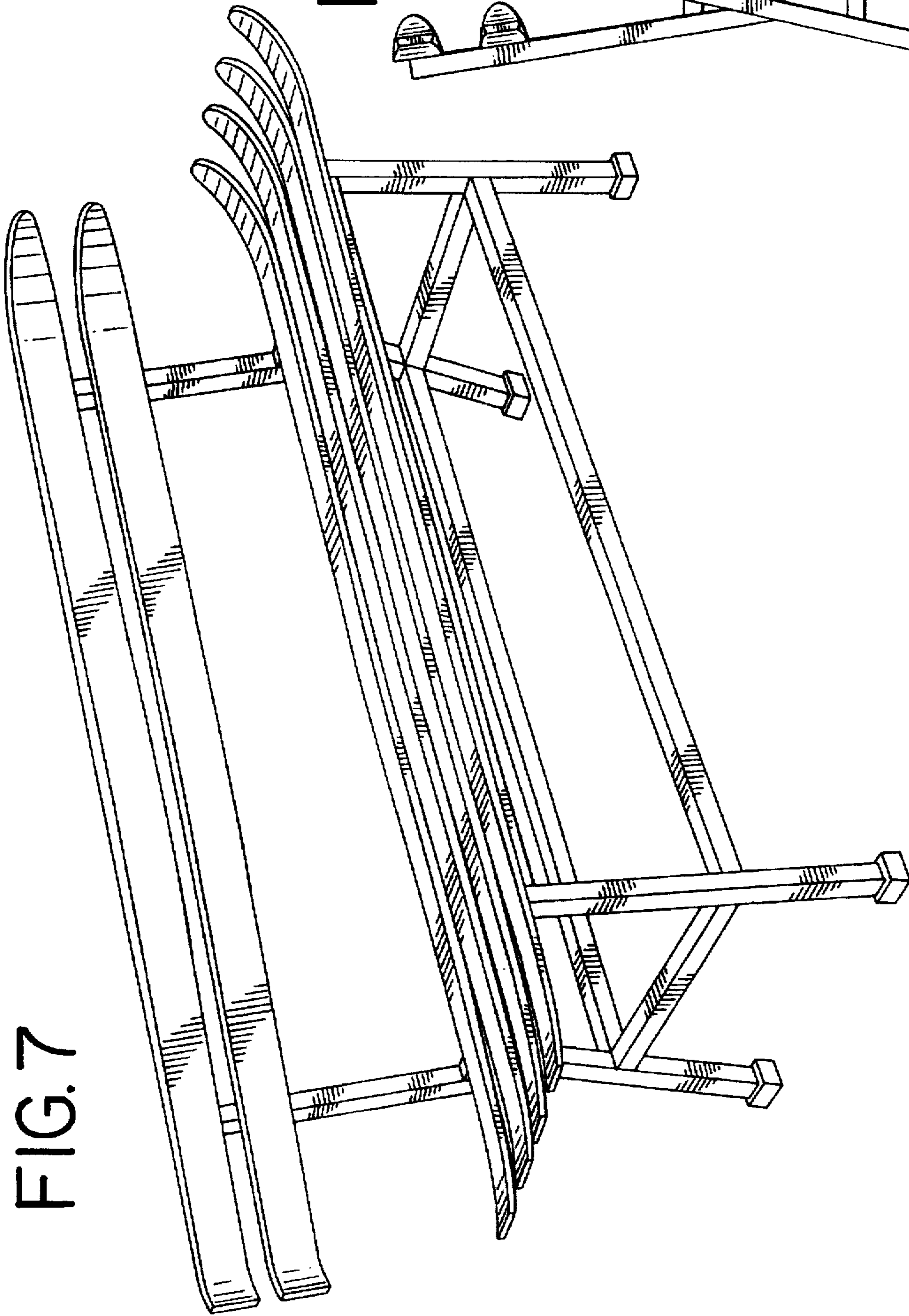
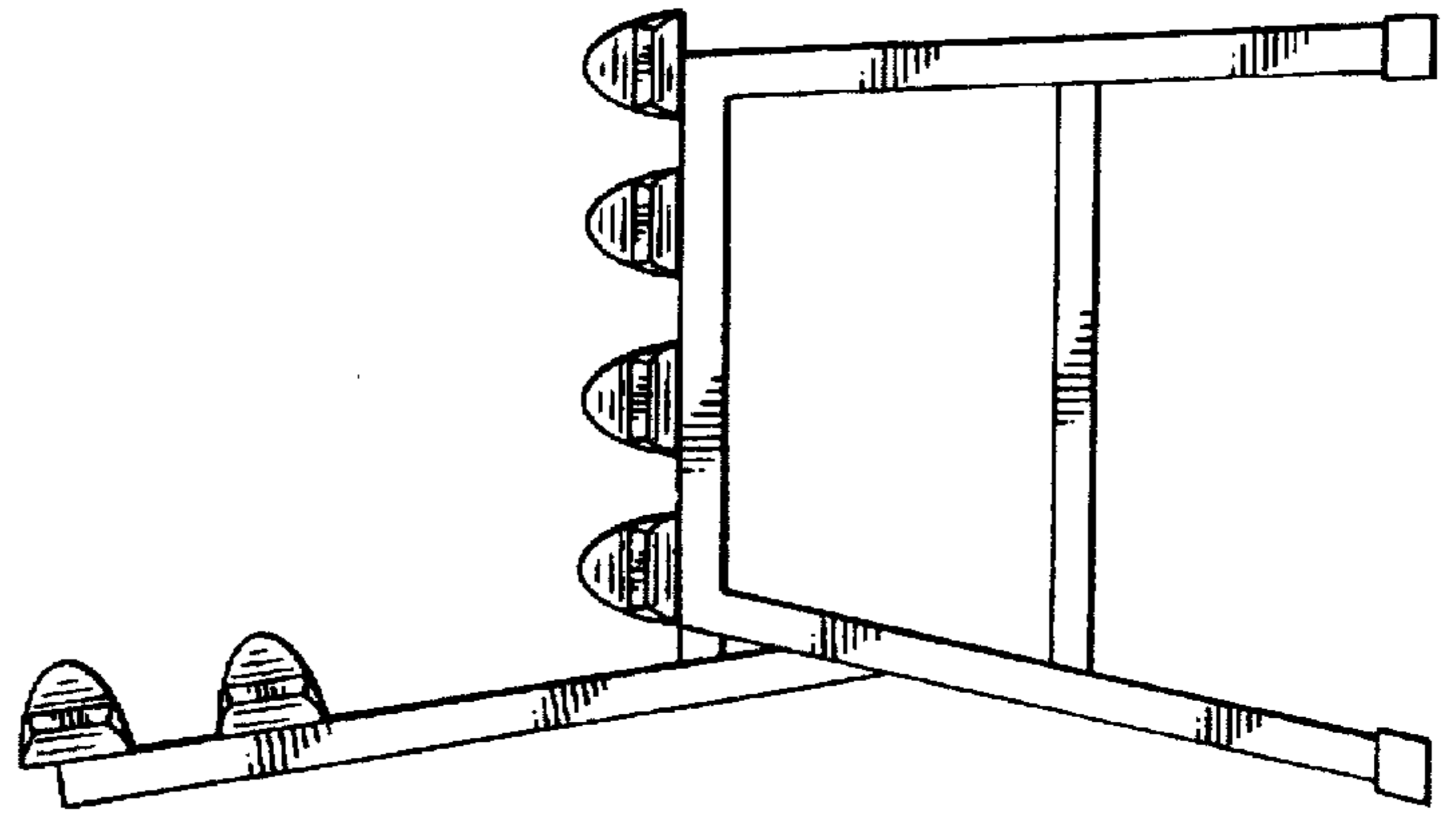


FIG. 8



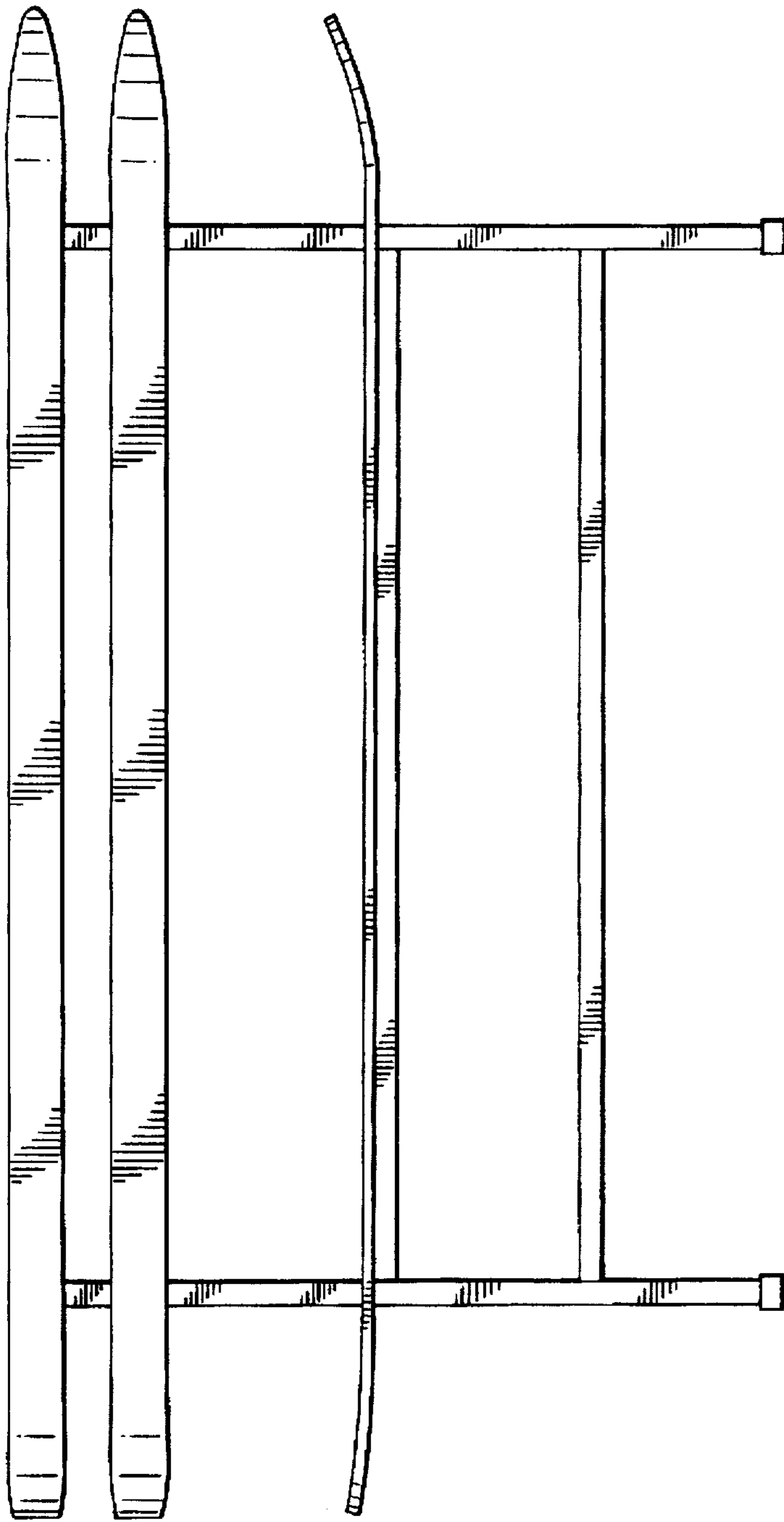


FIG. 9

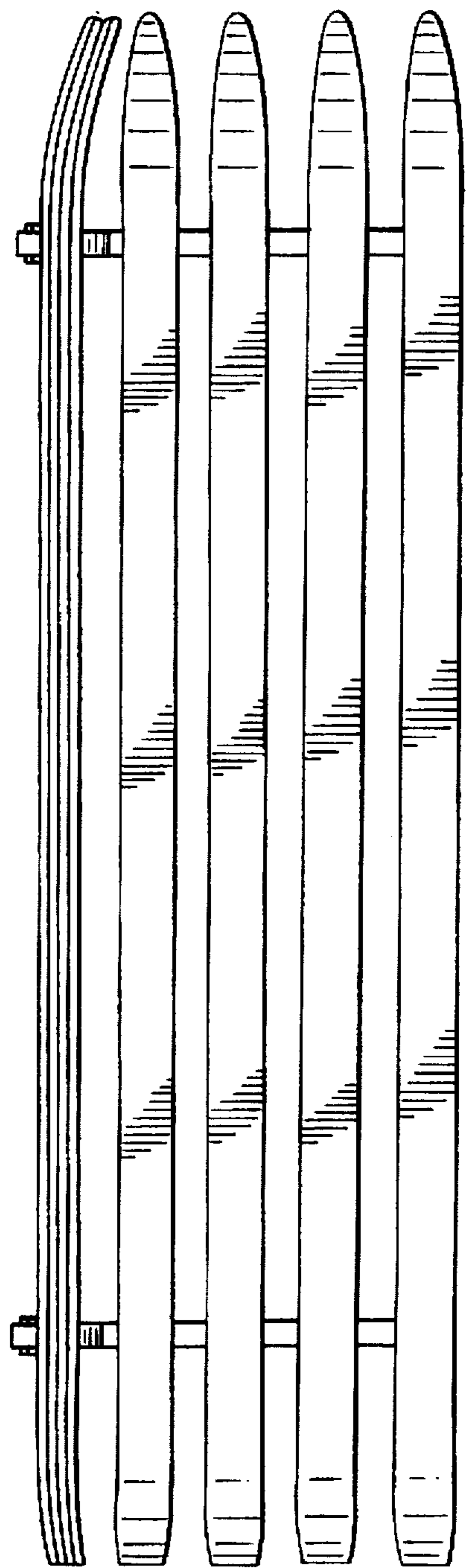


FIG. 10

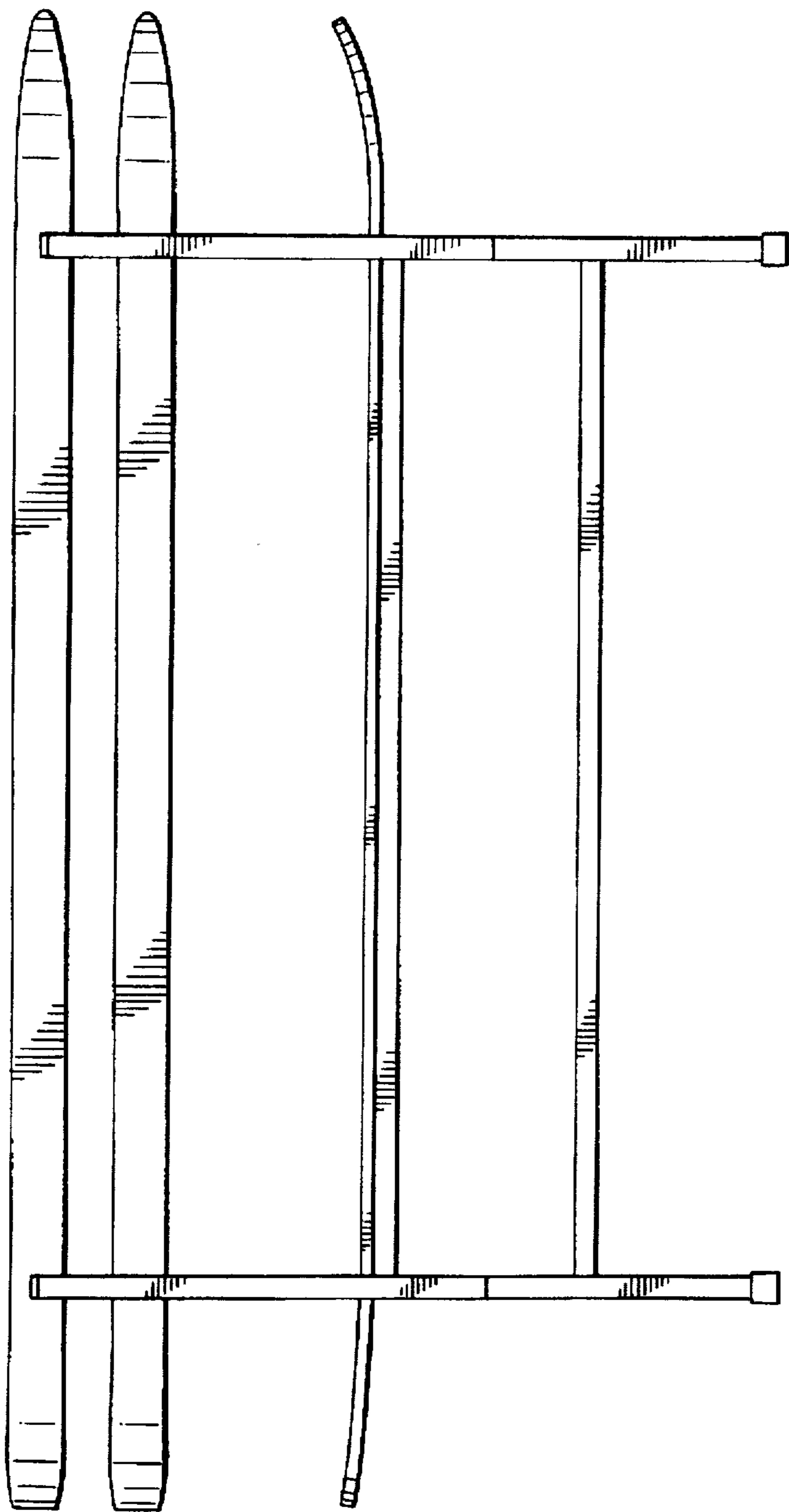


FIG. 11

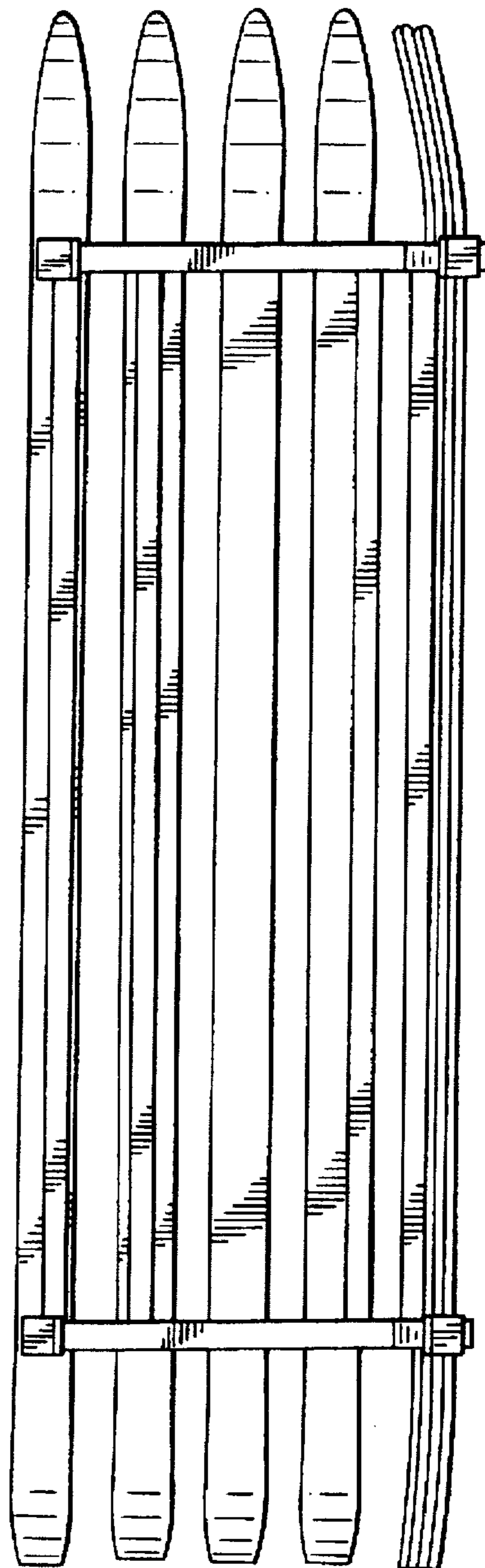


FIG. 12

UNITED STATES PATENT AND TRADEMARK OFFICE
CERTIFICATE OF CORRECTION

PATENT NO. : Des. 387,916
DATED : December 23, 1997
INVENTOR(S) : Rick Saban

Page 1 of 2

It is certified that error appears in the above-identified patent and that said Letters Patent is hereby corrected as shown below:

On the Title Page

In column 2, line 2, under "DESCRIPTION", change ";" to
--- (period).

In column 2, line 5, under "DESCRIPTION", change ";" to
--- (period).

In column 2, line 6, under "DESCRIPTION", change ";" to
--- (period).

In column 2, line 7, under "DESCRIPTION", change ";" to
--- (period).

In column 2, line 8, under "DESCRIPTION", change ";" to
--- (period).

In column 2, line 9, under "DESCRIPTION", change ";" to
--- (period).

In column 2, line 11, under "DESCRIPTION", change ";" to
--- (period).

In column 2, line 14, under "DESCRIPTION", change ";" to
--- (period).

UNITED STATES PATENT AND TRADEMARK OFFICE
CERTIFICATE OF CORRECTION

PATENT NO. : Des. 387,916
DATED : December 23, 1997
INVENTOR(S) : Rick Saban

Page 2 of 2

It is certified that error appears in the above-identified patent and that said Letters Patent is hereby corrected as shown below:

On the Title Page

In column 2, line 16, under "DESCRIPTION", change ";" to
--- (period).

In column 2, line 18, under "DESCRIPTION", change ";" to
--- (period).

In column 2, line 20, under "DESCRIPTION", change ";"
and," to --- (period).

Signed and Sealed this
Twenty-fifth Day of April, 2000

Attest:



Q. TODD DICKINSON

Attesting Officer

Director of Patents and Trademarks